



US00D552979S

(12) **United States Design Patent**
Wong et al.

(10) **Patent No.:** **US D552,979 S**
(45) **Date of Patent:** **** Oct. 16, 2007**

(54) **PACKAGING TIE-DOWN**

(75) Inventors: **Chiu Wah Wong**, Hong Kong (CN);
Lu Jian Xu, ZhuZhou (CN)

(73) Assignee: **Mattel, Inc.**, El Segundo, CA (US)

(**) Term: **14 Years**

(21) Appl. No.: **29/262,809**

(22) Filed: **Jul. 10, 2006**

(51) **LOC (8) Cl.** **08-08**

(52) **U.S. Cl.** **D8/395; D8/383**

(58) **Field of Classification Search** D8/356,
D8/371, 394-396; D19/65, 56; 24/22, 67 R,
24/20 S, 115 R, 546, 563, 910, 343, 67.9,
24/169, 198, 200, 455; 248/74.2, 215, 227.1,
248/49, 300, 301, 316.7, 51, 489

See application file for complete search history.

(56) **References Cited**

U.S. PATENT DOCUMENTS

153,469 A	7/1874	Wright	
173,513 A	2/1876	Sterling	
244,776 A	7/1881	Wales	
491,136 A	2/1893	Rosenblatt et al.	
698,272 A	4/1902	Glover	
713,888 A	11/1902	Kellner	
826,217 A	7/1906	Atkinson	
1,492,113 A	4/1924	Welsh	
1,551,914 A	9/1925	Sturges	
1,555,903 A	10/1925	Brown	
1,643,421 A	9/1927	Rowan	
1,712,686 A	5/1929	Bornmann	
1,768,977 A	7/1930	Ealy	
1,814,978 A	7/1931	Swanson	
1,987,437 A	1/1935	Fourness	
D99,713 S *	5/1936	Haase D26/140
2,169,259 A	8/1939	Lakin	

2,340,390 A	2/1944	Kitto
2,361,506 A	10/1944	Smith
2,387,639 A	10/1945	Bouchelle
2,582,476 A	1/1952	Buttery
2,723,747 A	11/1955	Oxenfeld
2,724,208 A	11/1955	Nelson
2,903,139 A	9/1959	Penman

(Continued)

FOREIGN PATENT DOCUMENTS

EP 0115692 7/1987

(Continued)

Primary Examiner—Louis S. Zarfaz
Assistant Examiner—John Windmuller
(74) *Attorney, Agent, or Firm*—Kolisch Hartwell, P.C.

(57) **CLAIM**

I claim the ornamental design for a packaging tie-down, as shown and described.

DESCRIPTION

FIG. 1 is an isometric top view of a packaging tie-down according to the present invention.

FIG. 2 is an isometric bottom view of the packaging tie-down of FIG. 1.

FIG. 3 is a top view of the packaging tie-down of FIG. 1.

FIG. 4 is a bottom view of the packaging tie-down of FIG. 1.

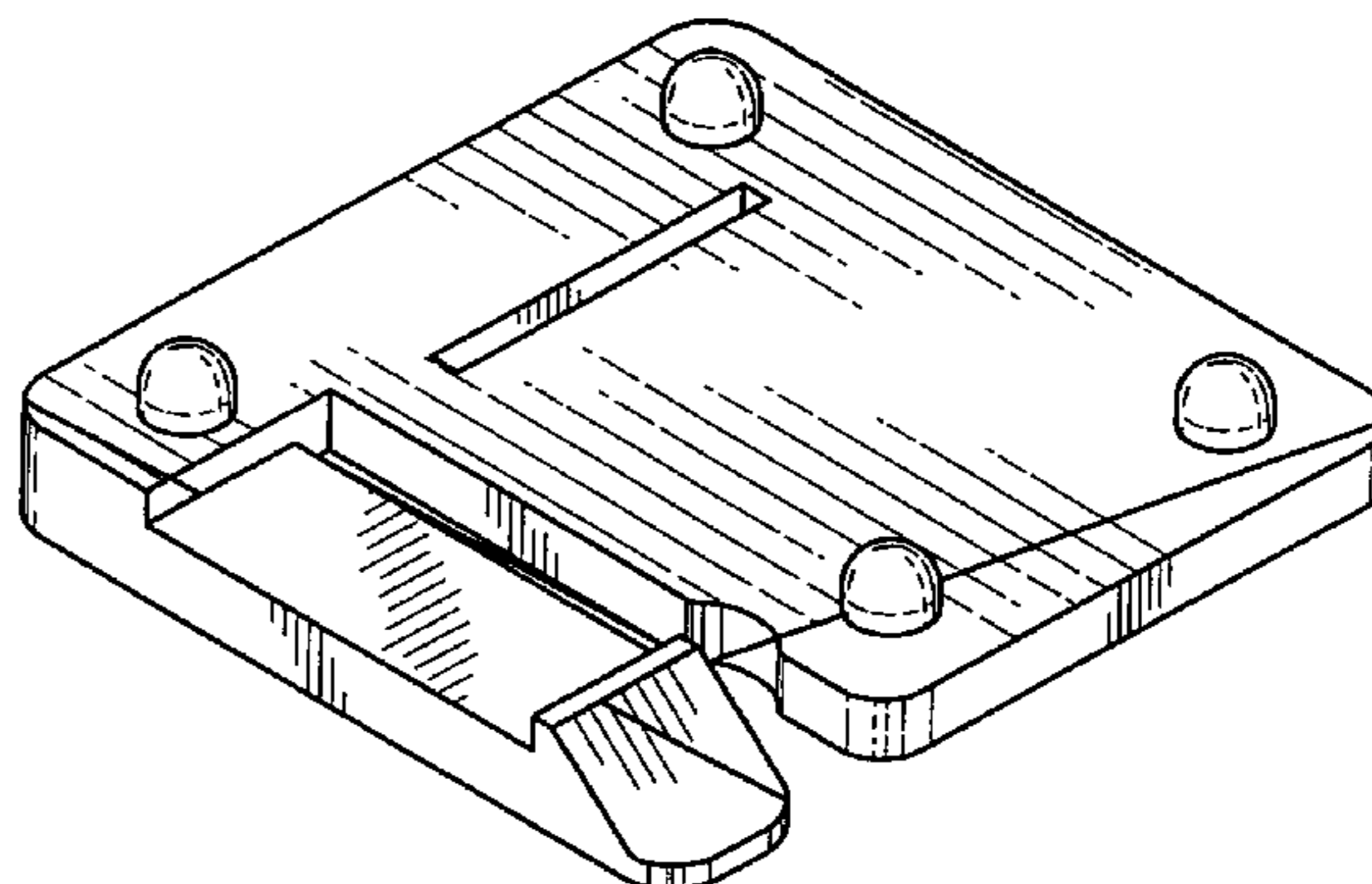
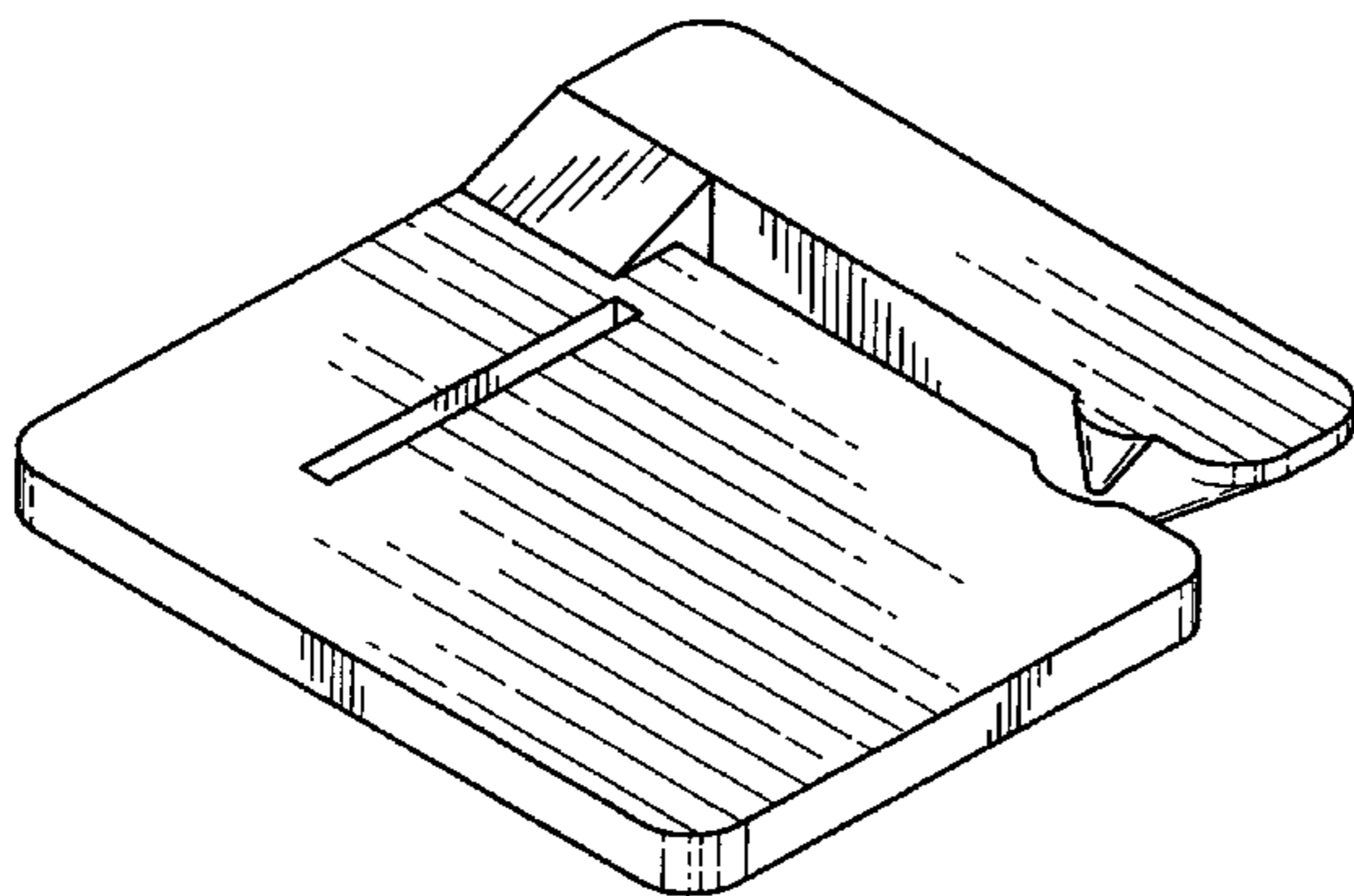
FIG. 5 is a rear view of the packaging tie-down of FIG. 1.

FIG. 6 is a front view of the packaging tie-down of FIG. 1.

FIG. 7 is a left side view of the packaging tie-down of FIG. 1; and,

FIG. 8 is a right side view of the packaging tie-down of FIG. 1.

1 Claim, 2 Drawing Sheets



US D552,979 S

Page 2

U.S. PATENT DOCUMENTS

2,941,664	A	6/1960	Palmer	
2,984,885	A	5/1961	Elsner	
3,014,256	A	12/1961	Derrickson et al.	
3,090,343	A	5/1963	Ronsheim	
3,154,281	A	10/1964	Frank	
3,255,501	A	6/1966	Laguerre	
3,324,997	A	6/1967	Bonanno	
3,406,816	A	10/1968	Green et al.	
3,473,247	A	10/1969	Favor et al.	
3,512,741	A	5/1970	Goldstein	
3,555,626	A	1/1971	Terada	
3,611,548	A	10/1971	Parris	
3,811,565	A	5/1974	Tancredi	
3,822,783	A	7/1974	Mortensen	
3,827,152	A	8/1974	Dailey	
3,874,034	A	4/1975	Clayton	
3,927,765	A	12/1975	Beal	
3,972,469	A	8/1976	Wright	
4,096,655	A *	6/1978	Ullman, Jr.	40/666
D252,741	S	8/1979	Taylor	
4,185,739	A	1/1980	Wilford	
4,228,896	A	10/1980	Wu	
4,243,143	A	1/1981	Muller	
D265,175	S	6/1982	Lloyd	
4,403,375	A	9/1983	Blum	
4,457,051	A *	7/1984	Bartolini	24/198
4,466,159	A	8/1984	Burrage	
4,477,950	A	10/1984	Cisek et al.	
4,482,319	A	11/1984	Patch	
4,510,649	A	4/1985	Yudis et al.	
4,531,632	A	7/1985	Weber	
4,576,664	A	3/1986	Delahunty	
4,586,615	A	5/1986	Quitmann	
4,606,735	A	8/1986	Wilder et al.	
4,676,535	A	6/1987	Mautner	
4,714,160	A	12/1987	Bennett	
4,725,461	A	2/1988	Masui	
4,887,709	A	12/1989	Shimamine	

4,943,183	A	7/1990	Nakano	
4,965,115	A	10/1990	Cimillo	
5,025,534	A	6/1991	Meijer	
D319,559	S	9/1991	Weiss	
5,064,056	A	11/1991	Gresh	
5,080,240	A	1/1992	Williams	
D327,801	S	7/1992	Lee	
5,177,837	A *	1/1993	Rekuc	24/198
5,265,910	A	11/1993	Barr et al.	
5,361,953	A	11/1994	Nichols	
5,396,684	A	3/1995	Yocom	
5,398,820	A	3/1995	Kiss	
5,651,376	A	7/1997	Thompson	
5,685,048	A	11/1997	Benoit	
5,692,268	A	12/1997	Case	
5,848,454	A *	12/1998	Kojima	24/200
5,896,991	A	4/1999	Hippely et al.	
5,980,352	A	11/1999	Rigberg	
6,073,315	A	6/2000	Rasmussen	
6,206,750	B1	3/2001	Barad et al.	
6,276,029	B1	8/2001	Buettell	
6,283,312	B1	9/2001	Edgerton	
6,326,890	B1	12/2001	Costa	
D455,337	S *	4/2002	Maruoka	D8/383
6,435,940	B1	8/2002	Fildan et al.	
6,546,601	B1 *	4/2003	Kawashima	24/200
6,575,302	B2	6/2003	Robley, Jr.	
D487,289	S *	3/2004	Richter	D19/90
6,901,636	B2	6/2005	Kim	
6,961,979	B2	11/2005	Wendle	
6,962,014	B2	11/2005	McCabe et al.	
D514,435	S *	2/2006	Bhavnani	D8/395
2004/0093700	A1	5/2004	Frangesh	
2005/0012380	A1	1/2005	Barnes	
2005/0210639	A1	9/2005	Cuisinier	

FOREIGN PATENT DOCUMENTS

WO WO02/068289 9/2002

* cited by examiner

Fig. 1

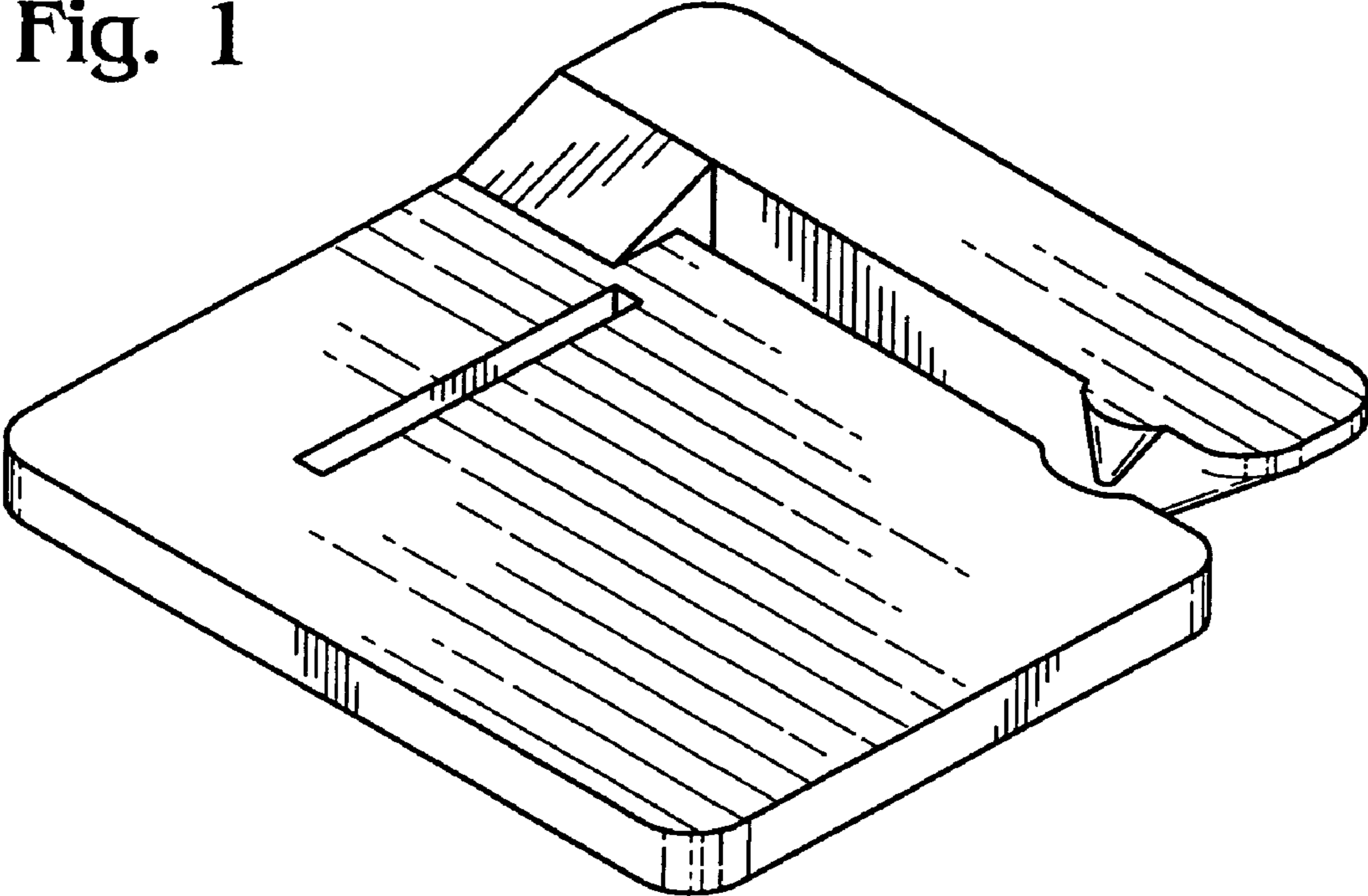


Fig. 2

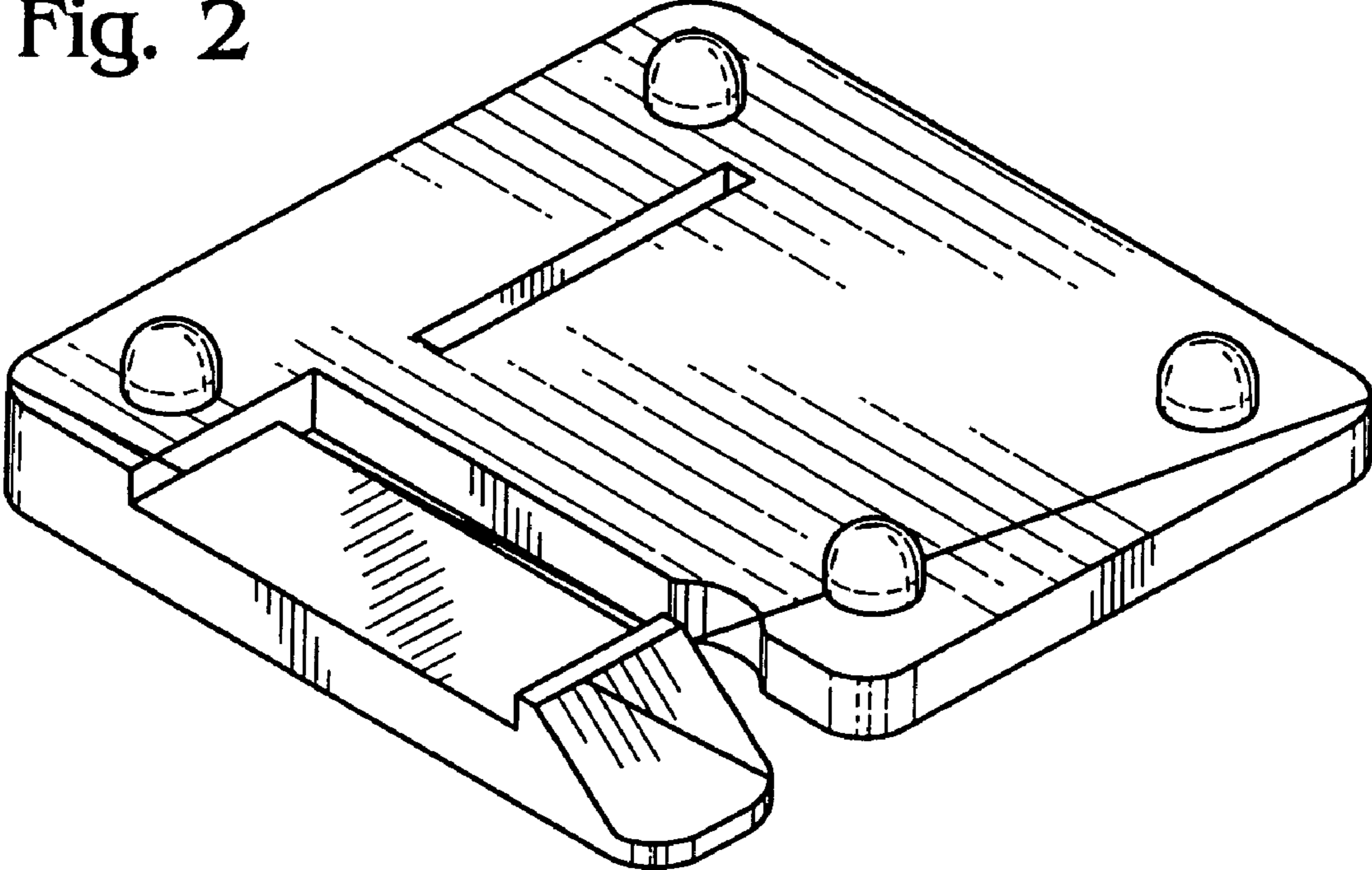


Fig. 3

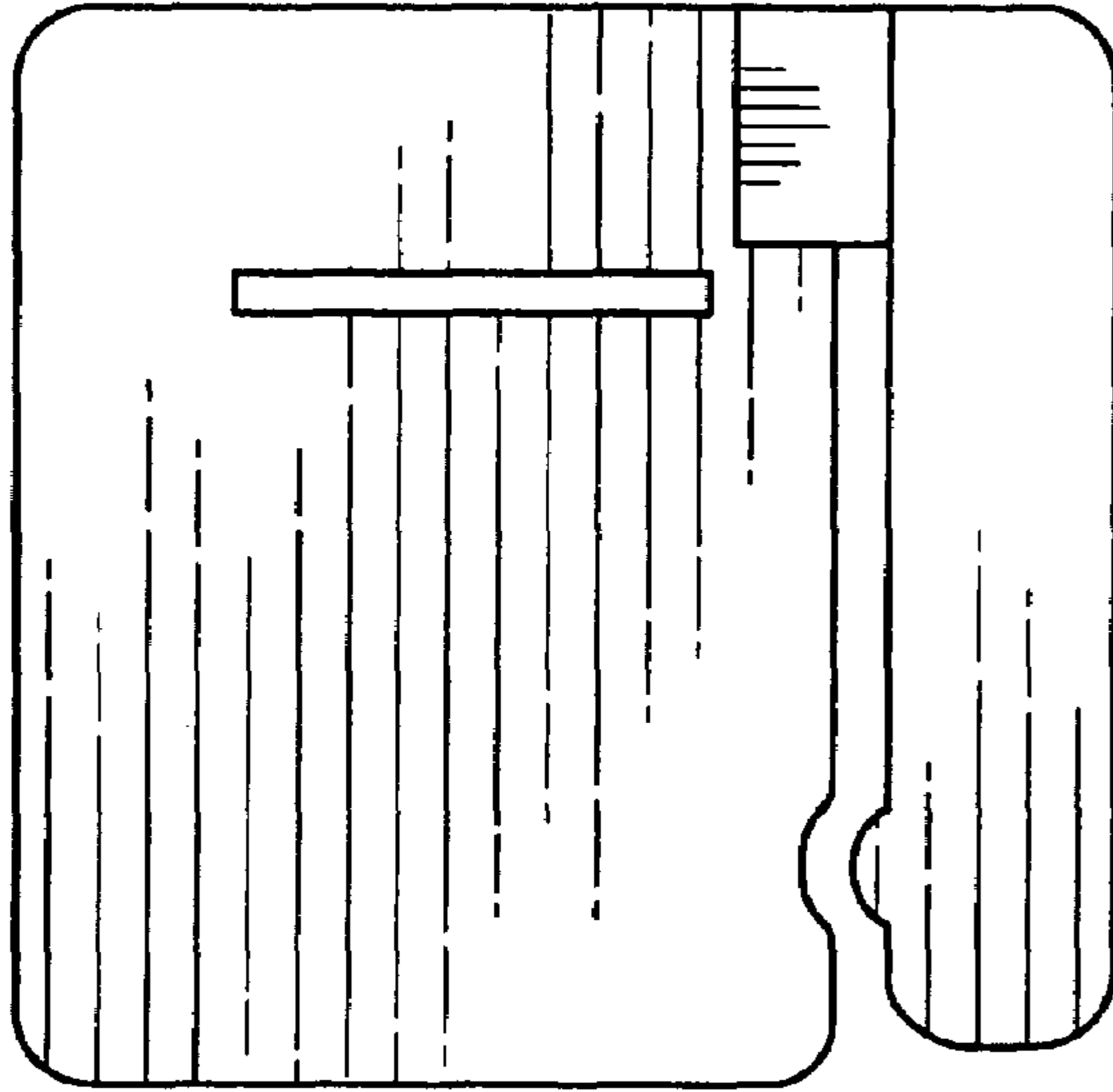


Fig. 4

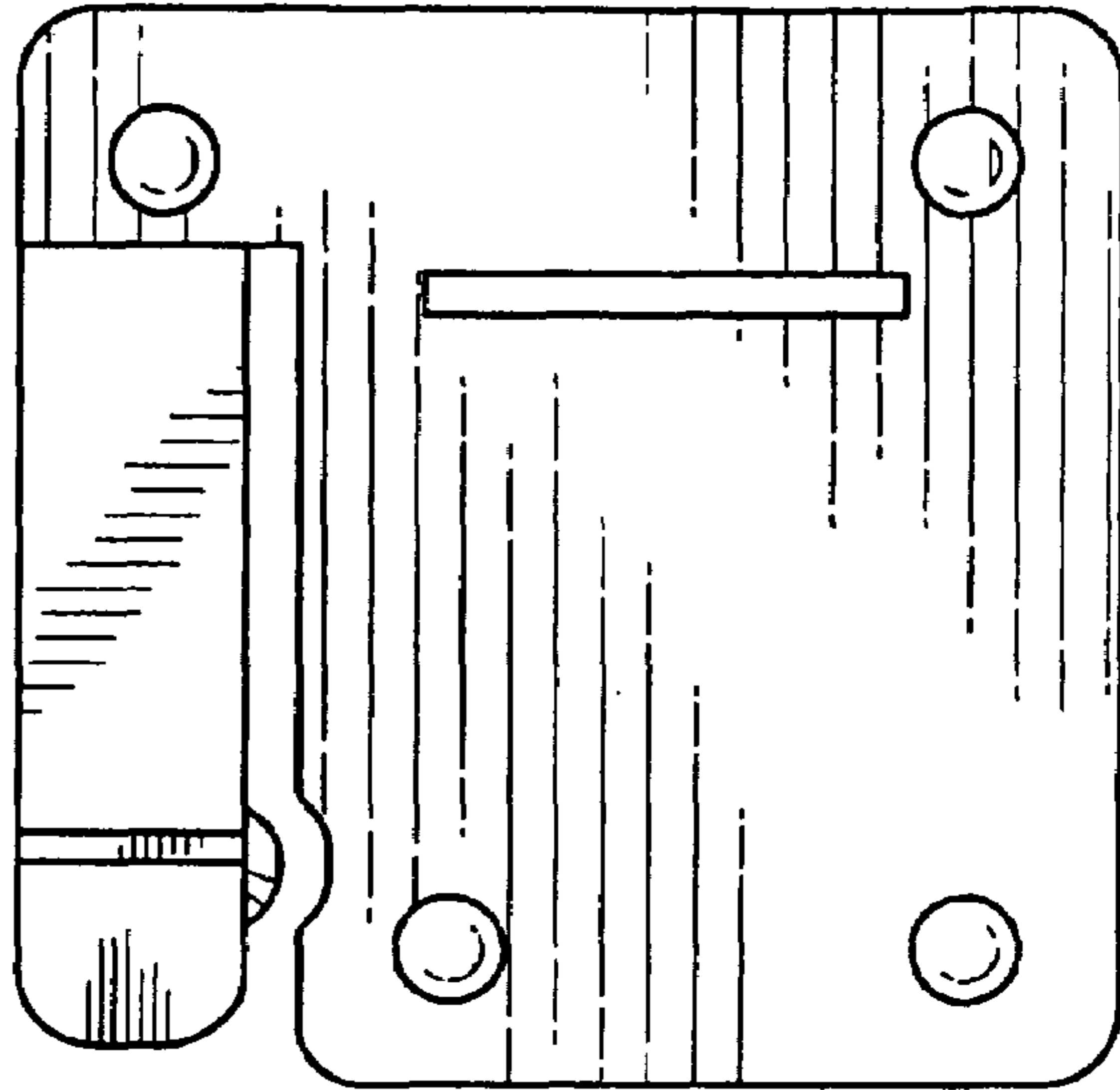


Fig. 5

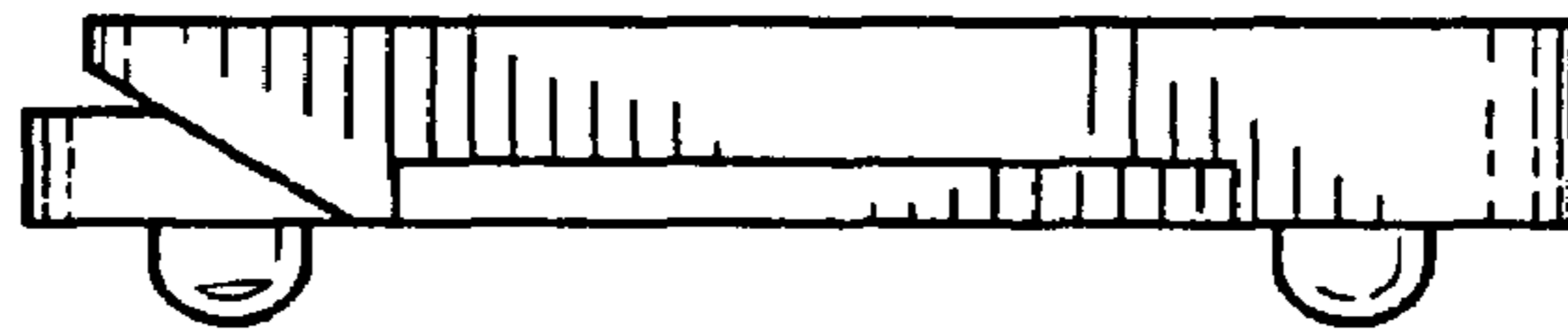


Fig. 6

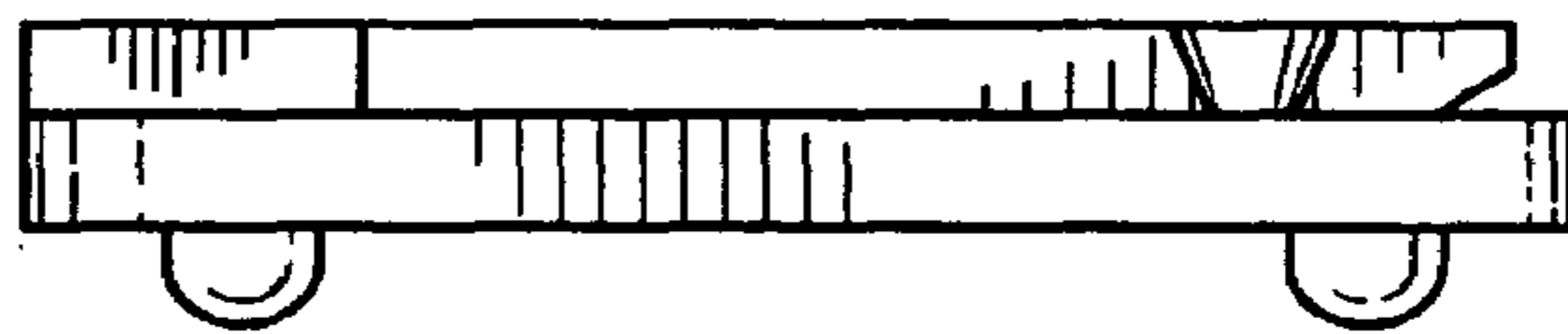


Fig. 7

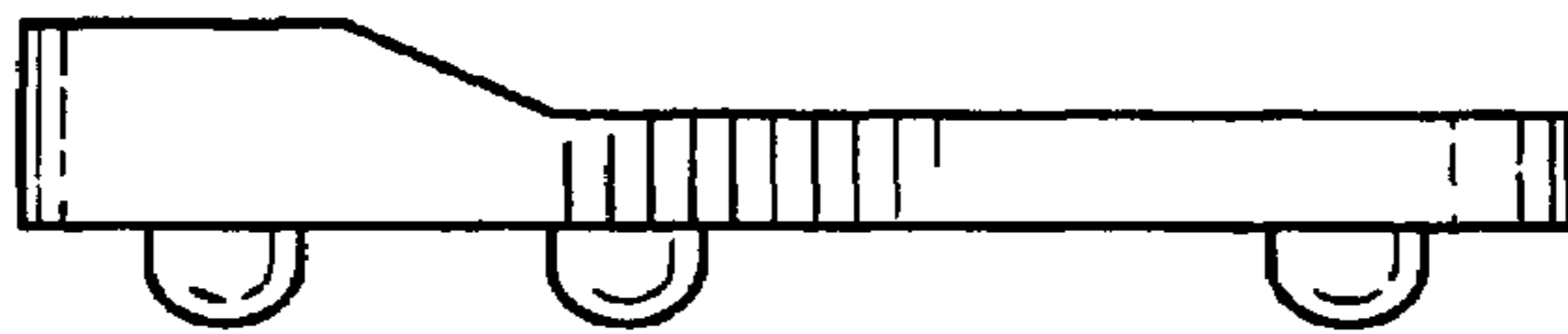


Fig. 8

