

US00D552978S

(12) **United States Design Patent**
Liao

(10) **Patent No.:** **US D552,978 S**

(45) **Date of Patent:** **** Oct. 16, 2007**

(54) **CLIP**

(76) **Inventor:** **Eric Liao**, No. 42, Chang Der 5th Road, Taichung, 406 (TW)

(**) **Term:** **14 Years**

(21) **Appl. No.:** **29/201,266**

(22) **Filed:** **Mar. 11, 2004**

(51) **LOC (8) Cl.** **08-08**

(52) **U.S. Cl.** **D8/395**

(58) **Field of Classification Search** D8/356,
D8/371, 394-396; D19/65, 56; 24/22, 67 R,
24/20 S, 115 R, 546, 563, 910, 343, 67.9;
248/74.2, 215, 227.1, 49, 300, 301, 316.7,
248/51, 489

See application file for complete search history.

(56) **References Cited**

U.S. PATENT DOCUMENTS

- 3,317,973 A * 5/1967 Finkle 24/564
- D274,796 S * 7/1984 Humble D10/104
- D283,201 S * 4/1986 Zoroufy D8/382
- D315,992 S * 4/1991 Tremblay et al. D6/328
- D322,390 S * 12/1991 Nimtze et al. D8/395

- D365,017 S * 12/1995 Rohrig D8/394
- 5,645,254 A * 7/1997 Ng et al. 248/206.2
- D386,215 S * 11/1997 White et al. D20/43
- D454,296 S * 3/2002 Masson et al. D8/395

* cited by examiner

Primary Examiner—Louis S. Zarfes

Assistant Examiner—John Windmuller

(74) *Attorney, Agent, or Firm*—Charles E. Baxley

(57) **CLAIM**

The ornamental design for a clip, as shown and described.

DESCRIPTION

FIG. 1 is a perspective view of a clip showing my new design;

FIG. 2 is a front elevational view thereof;

FIG. 3 is a rear elevational view thereof;

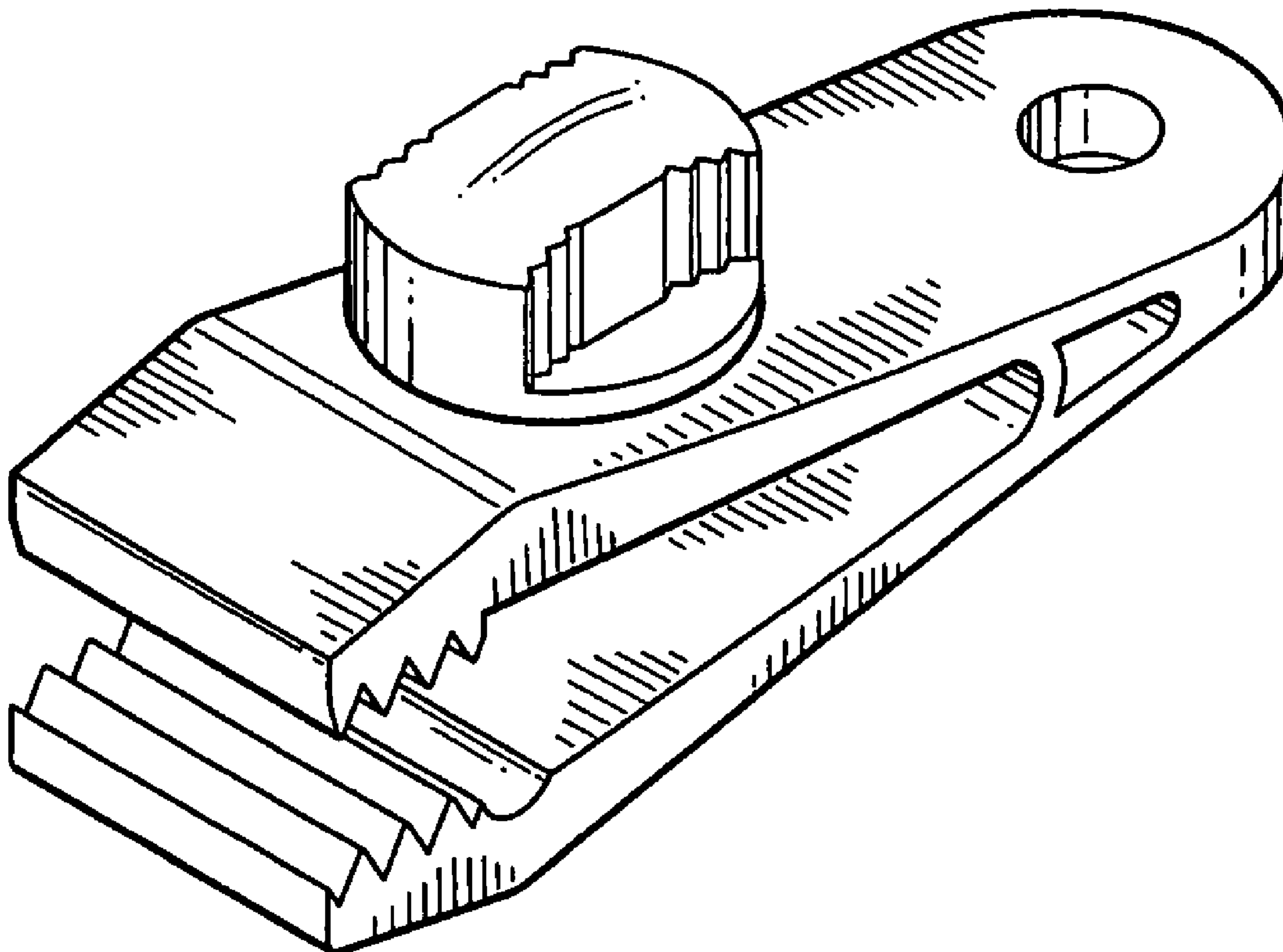
FIG. 4 is a top plan view thereof;

FIG. 5 is a bottom plan view thereof;

FIG. 6 is a left side elevational view thereof; and,

FIG. 7 is a right side elevational view thereof.

1 Claim, 3 Drawing Sheets



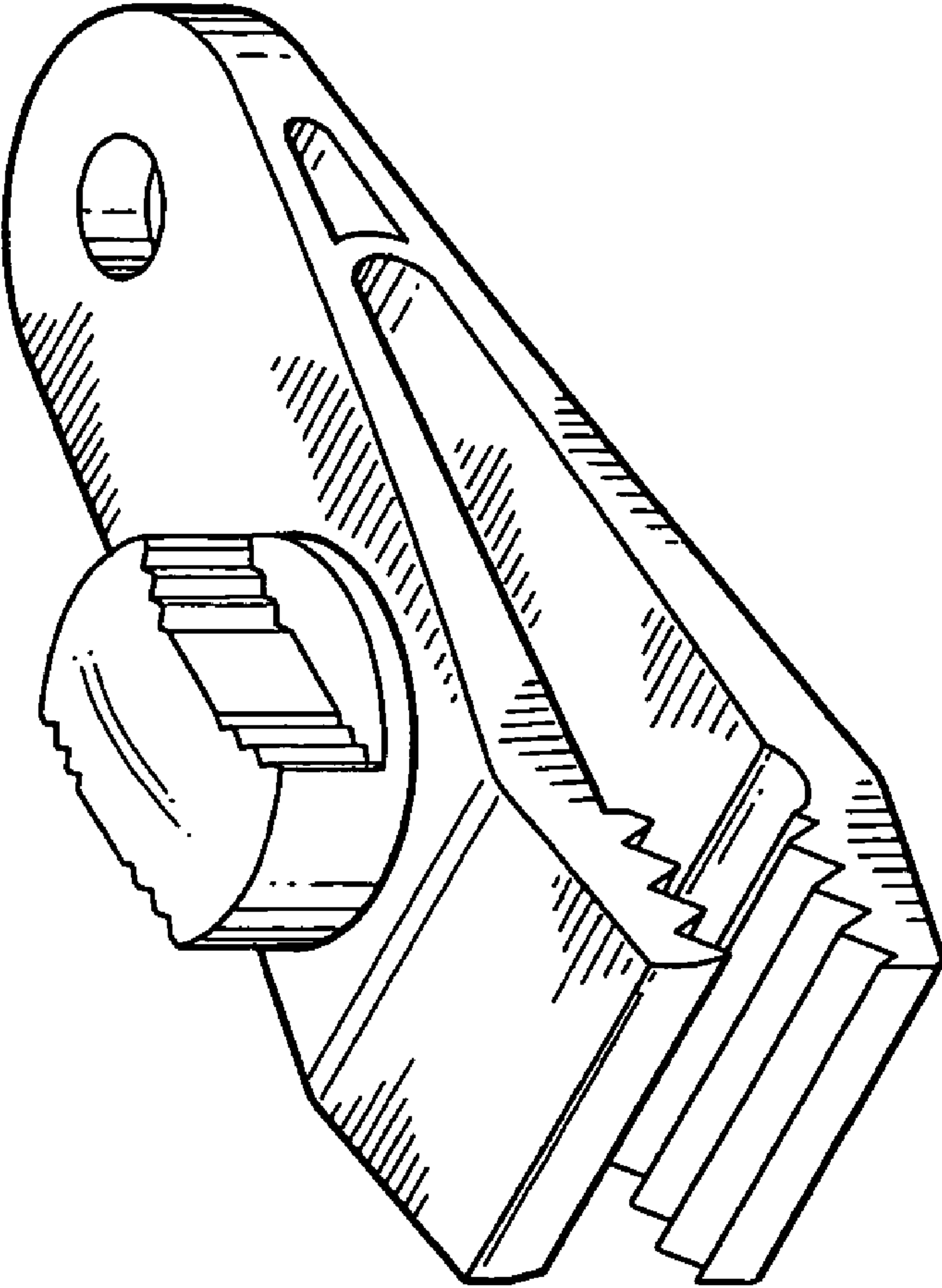


FIG. 1

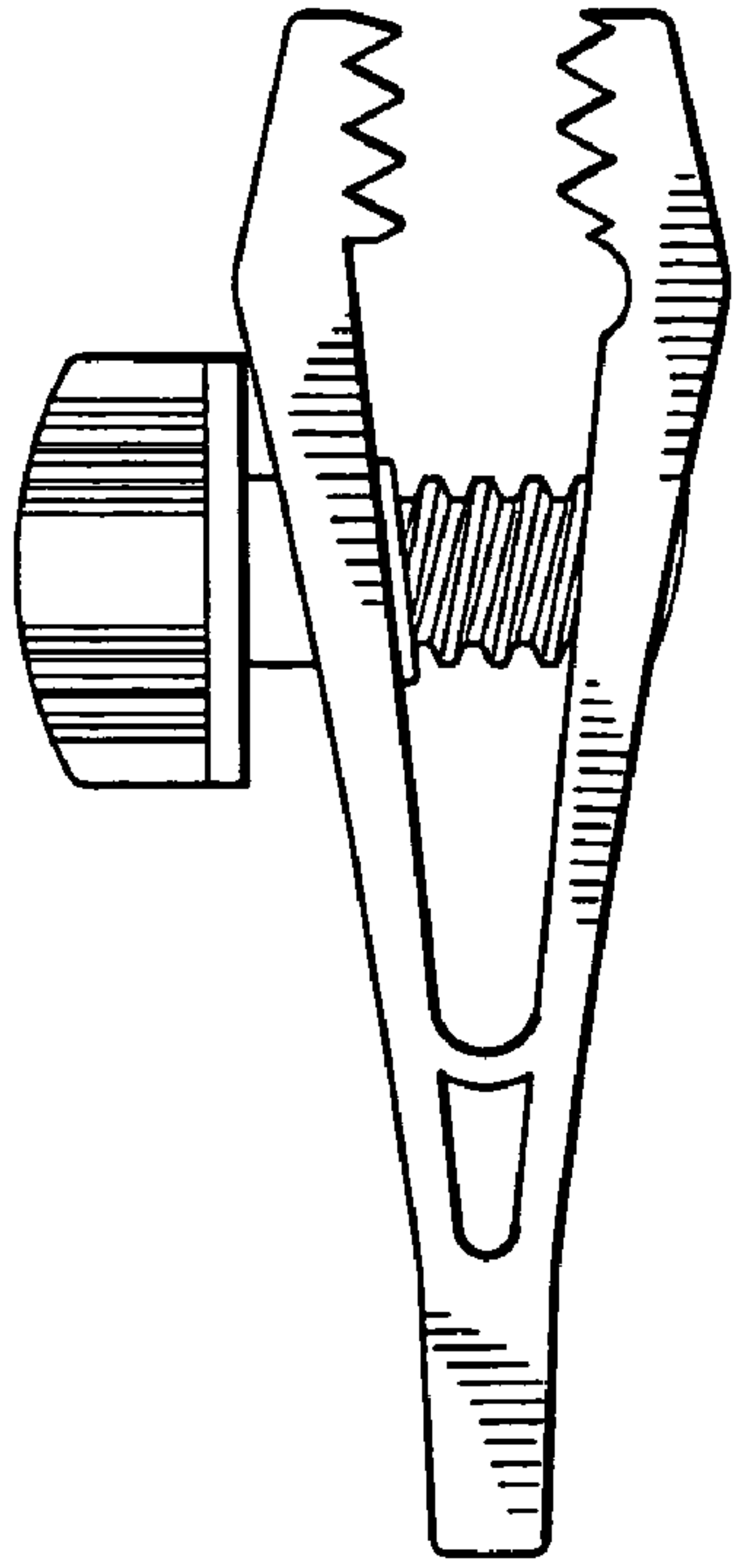


FIG. 2

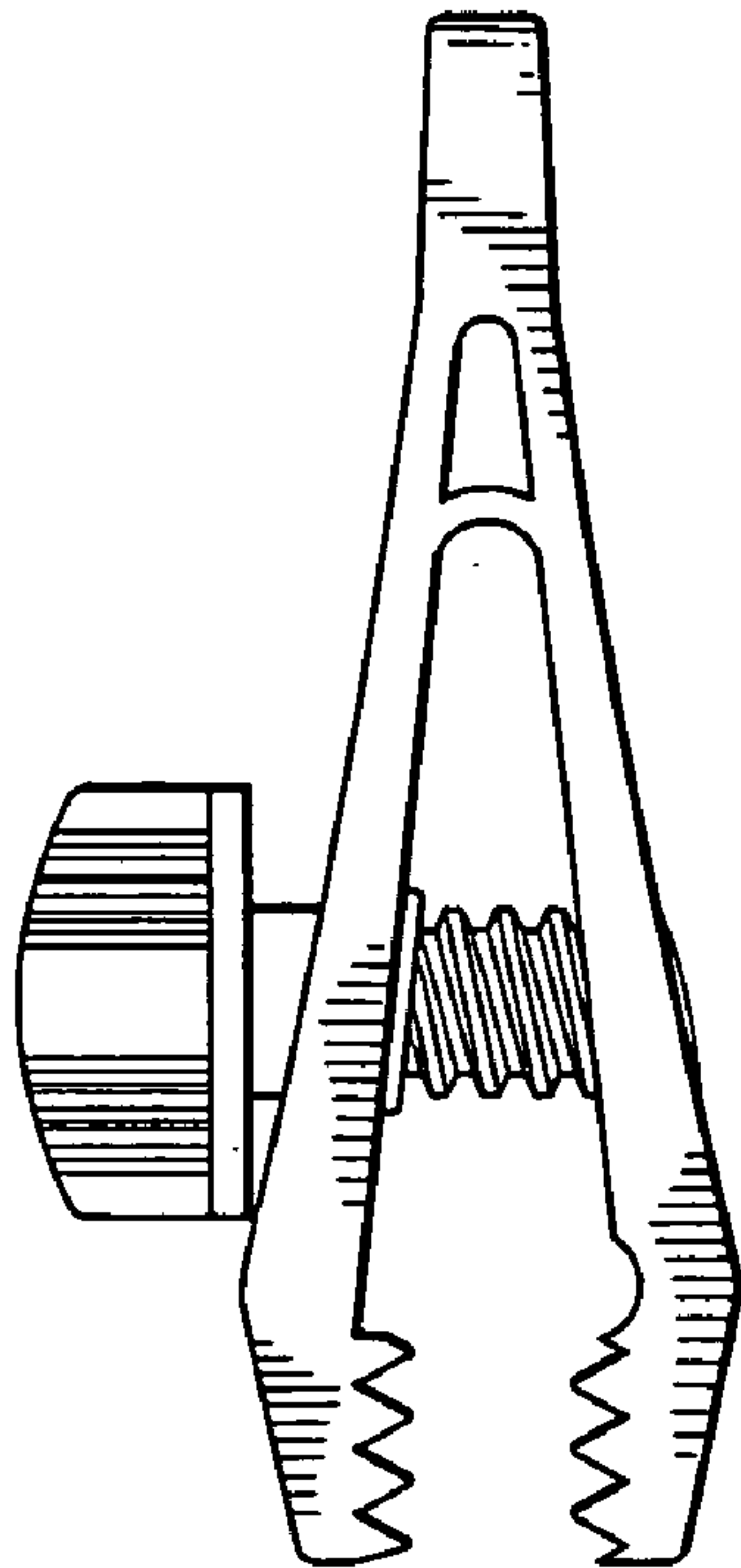


FIG. 3

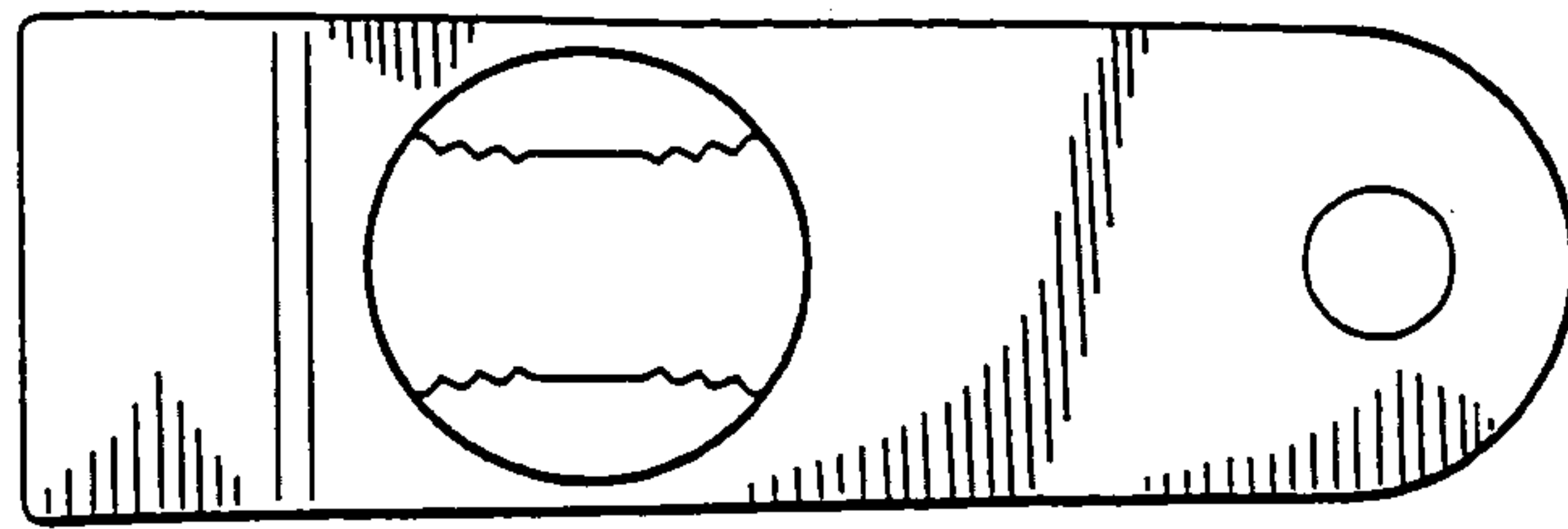


FIG. 4

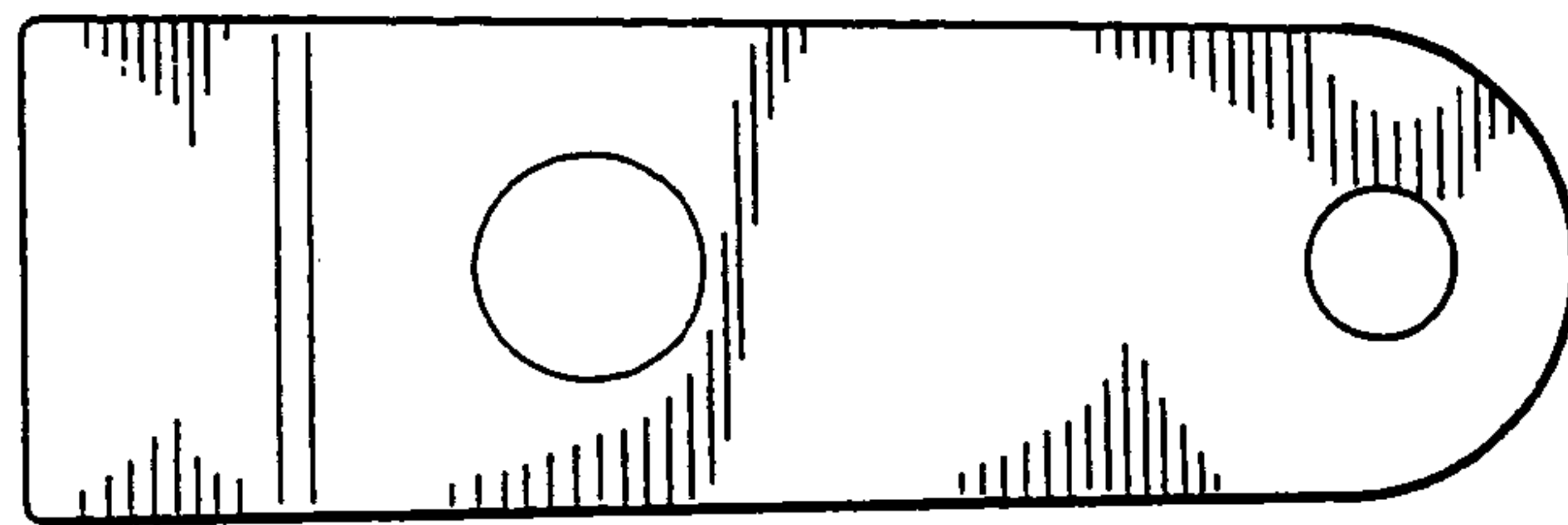


FIG. 5

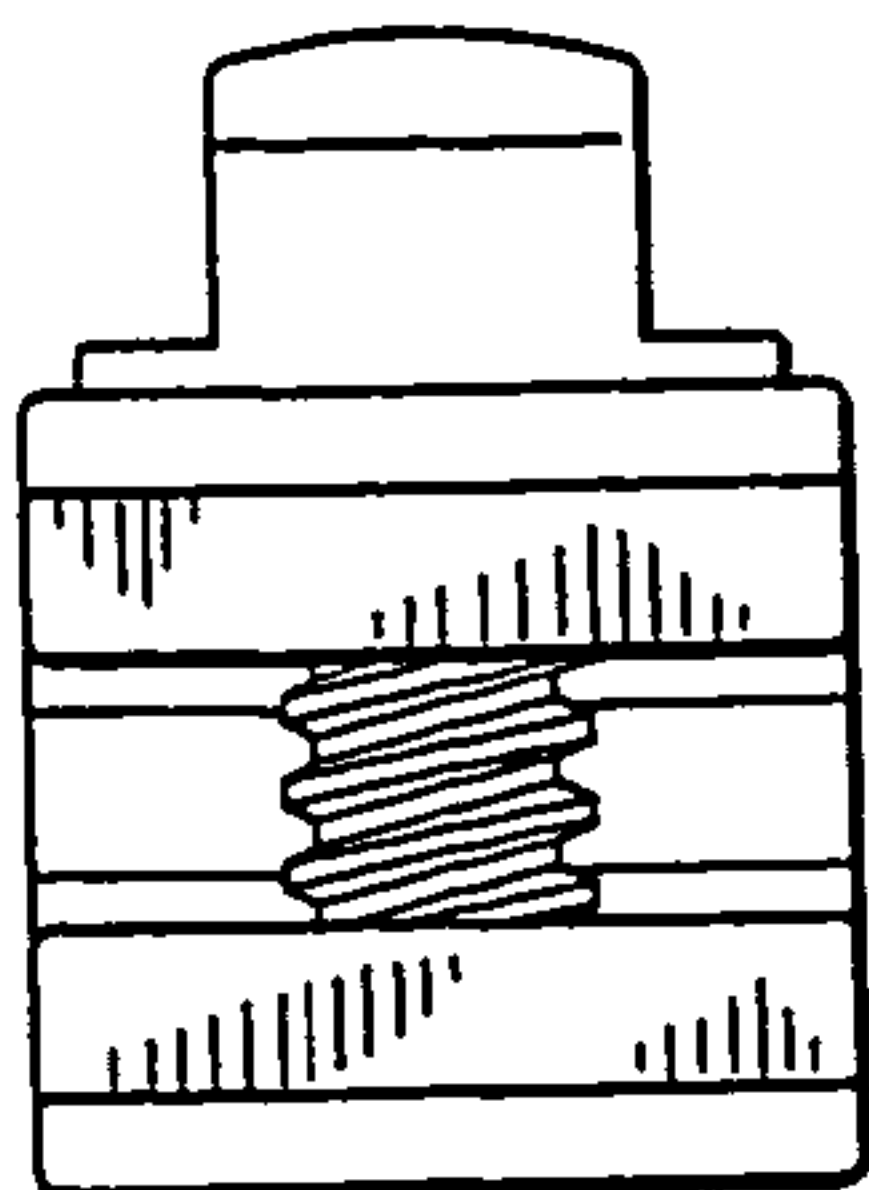


FIG. 6

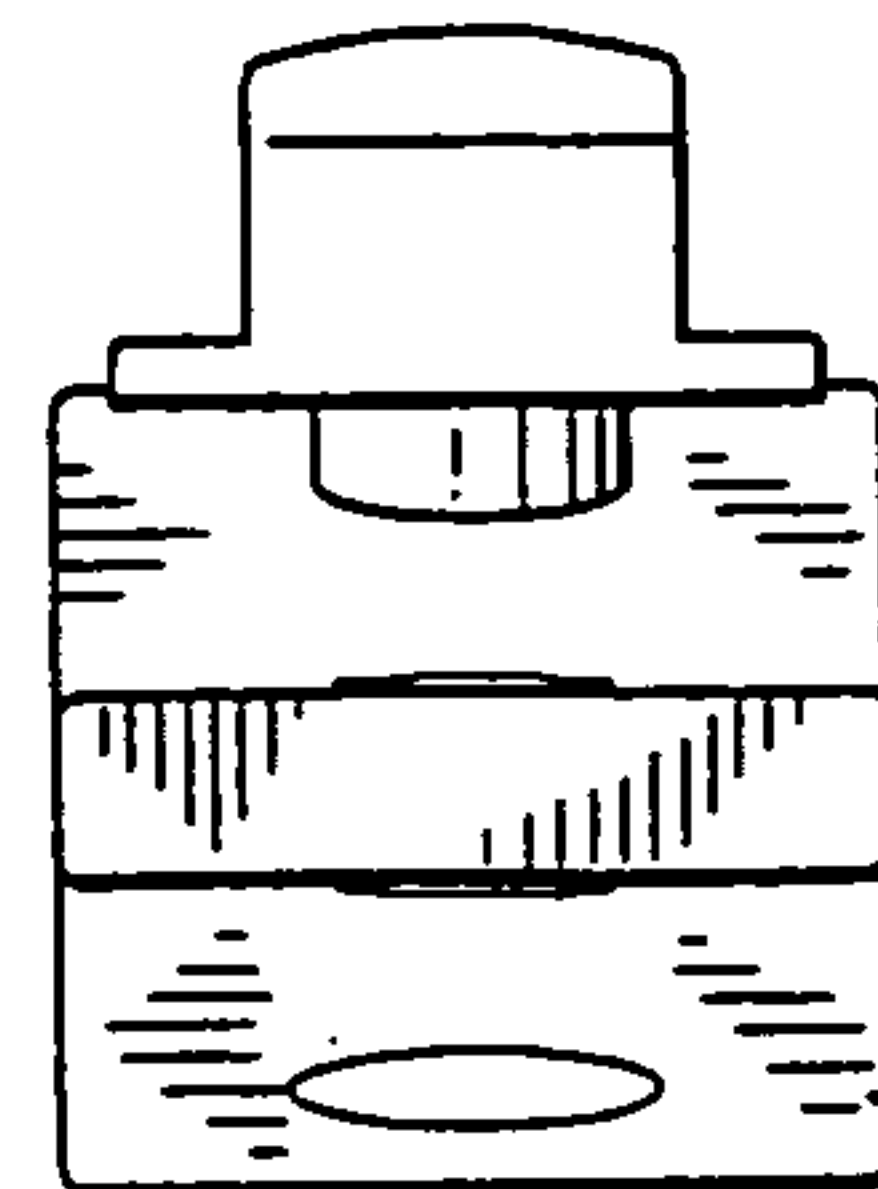


FIG. 7