



US00D552976S

(12) **United States Design Patent**  
**Gaudron**

(10) **Patent No.:** **US D552,976 S**  
(45) **Date of Patent:** **\*\* Oct. 16, 2007**

- (54) **PICTURE HANGER FASTENER**
- (75) Inventor: **Paul Gaudron**, Stratford, CT (US)
- (73) Assignee: **Powers Products III, LLC**, New Rochelle, NY (US)
- (\*\*) Term: **14 Years**
- (21) Appl. No.: **29/251,482**
- (22) Filed: **Jan. 9, 2006**

5,562,377 A	10/1996	Giannuzzi et al.
5,569,007 A	10/1996	Abraham
5,647,709 A	7/1997	Hein et al.
D381,892 S *	8/1997	Porter et al. .... D8/387
5,778,623 A	7/1998	Powell
5,779,417 A	7/1998	Barth et al.
5,957,646 A	9/1999	Giannuzzi et al.
5,987,837 A *	11/1999	Nelson ..... 52/506.05
6,264,677 B1	7/2001	Simon et al.
6,419,436 B1	7/2002	Gaudron
D462,895 S *	9/2002	Gaudron ..... D8/385
D492,586 S *	7/2004	Rimer, Jr. .... D8/393
7,090,453 B2 *	8/2006	Lin ..... 411/387.1
2005/0031434 A1	2/2005	Gaudron

- (51) **LOC (8) Cl.** ..... **08-08**
- (52) **U.S. Cl.** ..... **D8/387**
- (58) **Field of Classification Search** ..... D8/387,  
D8/388; 411/378, 403, 366.1, 387.1, 393,  
411/402

See application file for complete search history.

(56) **References Cited**

**U.S. PATENT DOCUMENTS**

470,804 A	3/1892	Jones
516,134 A	3/1894	Stilwell
2,024,070 A	12/1935	Sharp
2,314,897 A	3/1943	Purinton
2,419,555 A	4/1947	Fator
3,902,399 A	9/1975	Yotti
3,911,781 A	10/1975	Bappert
4,034,641 A	7/1977	Williams, Jr. et al.
4,144,795 A	3/1979	Gutshall
4,544,313 A	10/1985	Grossberndt
4,652,194 A	3/1987	Tajima et al.
4,653,244 A	3/1987	Farrell
4,892,429 A	1/1990	Giannuzzi
4,893,974 A	1/1990	Fischer et al.
5,059,077 A	10/1991	Schmid
5,061,136 A	10/1991	Dixon et al.
5,127,783 A	7/1992	Moghe et al.
5,226,766 A	7/1993	Lasner
5,252,016 A	10/1993	Schmid et al.

**FOREIGN PATENT DOCUMENTS**

DE	1 583 480	1/1981
DE	298 12 947 U1	1/2000
EP	0 494 651 B1	7/1992
EP	1 182 364 A2	7/2001
EP	1 167 781 A1	1/2002

\* cited by examiner

*Primary Examiner*—Holly H. Baynham  
*Assistant Examiner*—Sheryl Friedman  
(74) *Attorney, Agent, or Firm*—Cantor Colburn LLP

(57) **CLAIM**

I claim, the ornamental design for the picture hanger fastener, as shown and described.

**DESCRIPTION**

FIG. 1 is a front elevational view showing my new design;  
FIG. 2 is a rear elevational view thereof;  
FIG. 3 is a top plan view thereof; and,  
FIG. 4 is bottom plan view thereof.

**1 Claim, 4 Drawing Sheets**

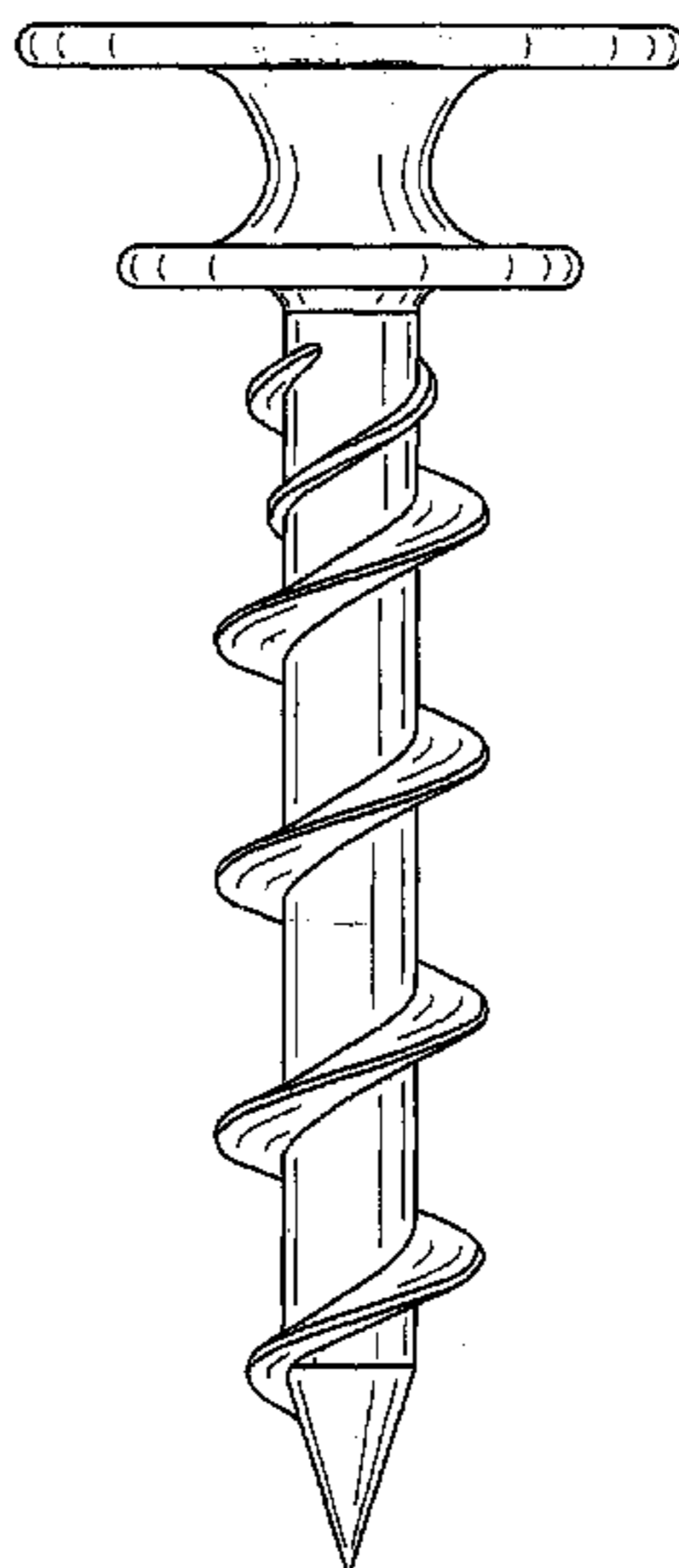


FIG. 1

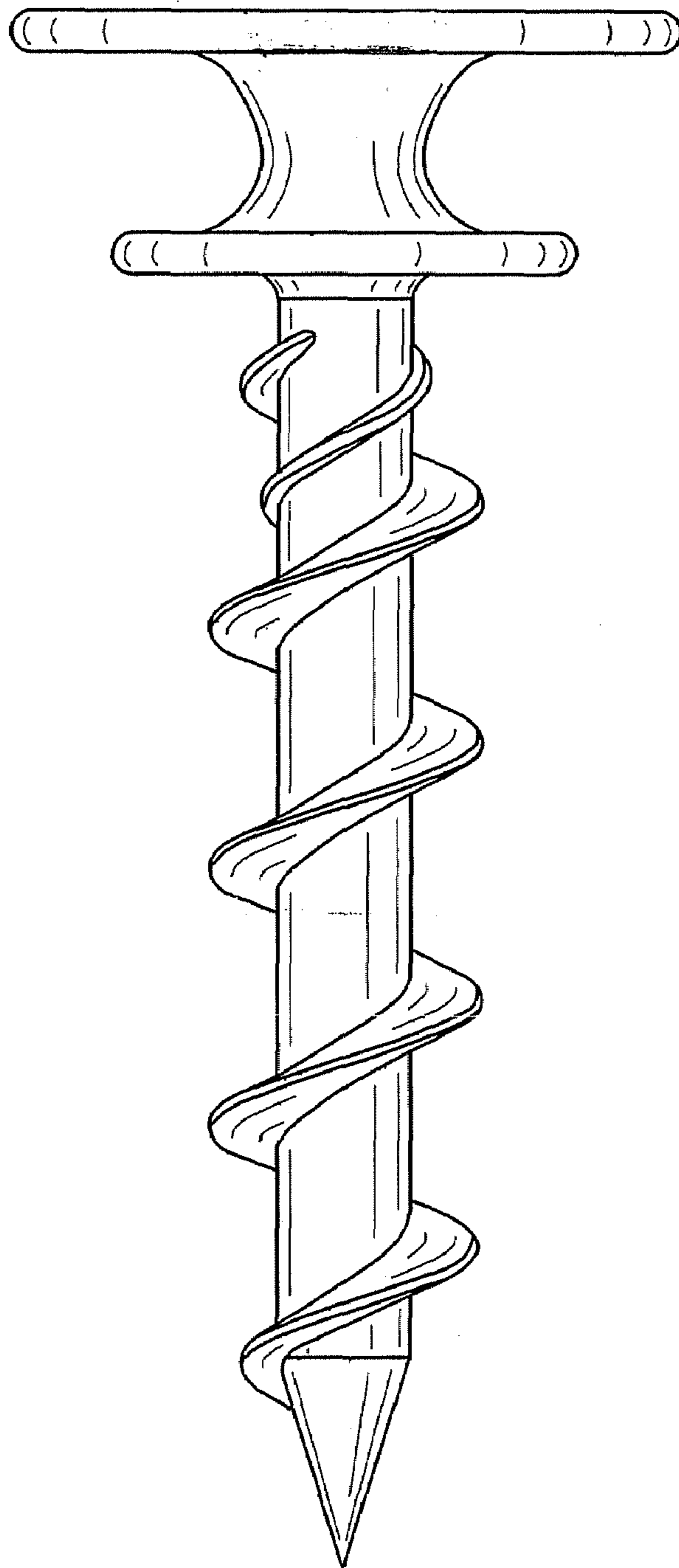


FIG. 2

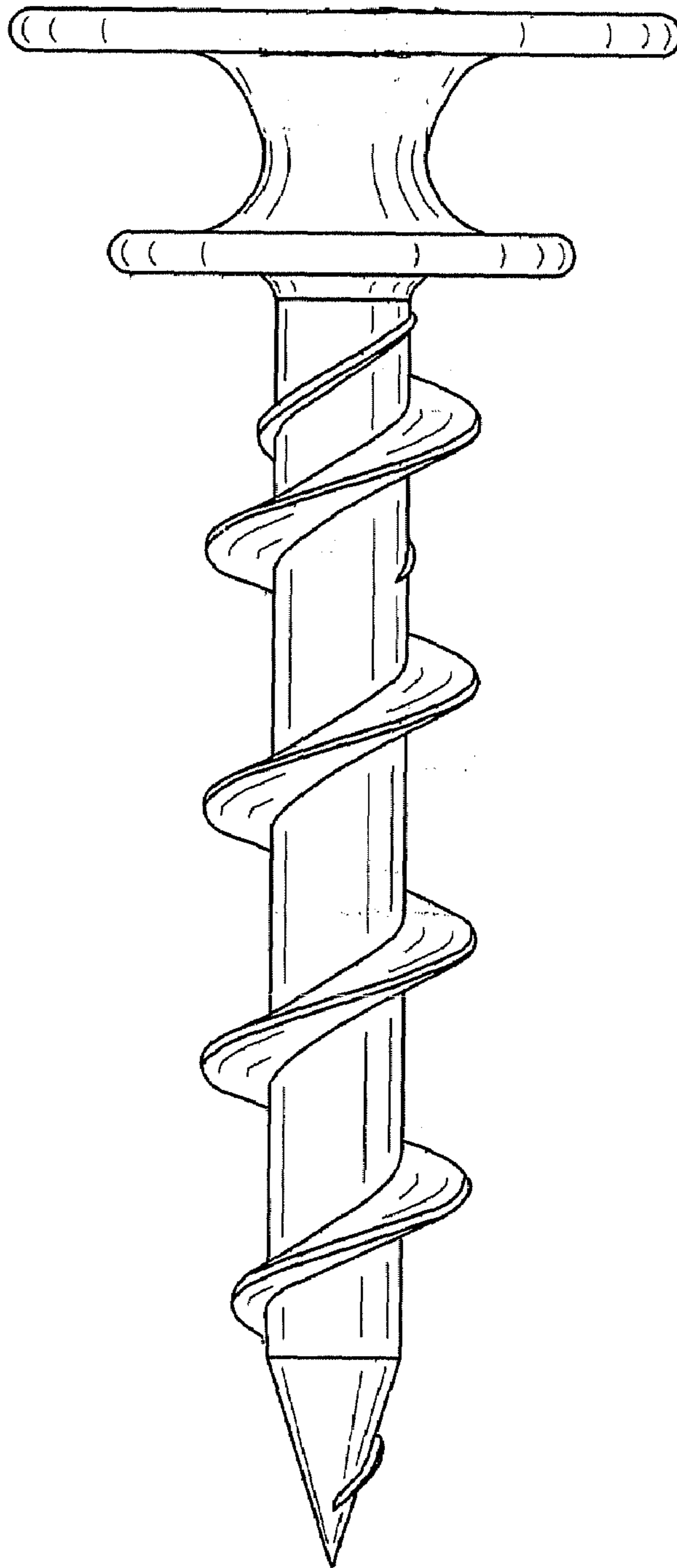


FIG. 3

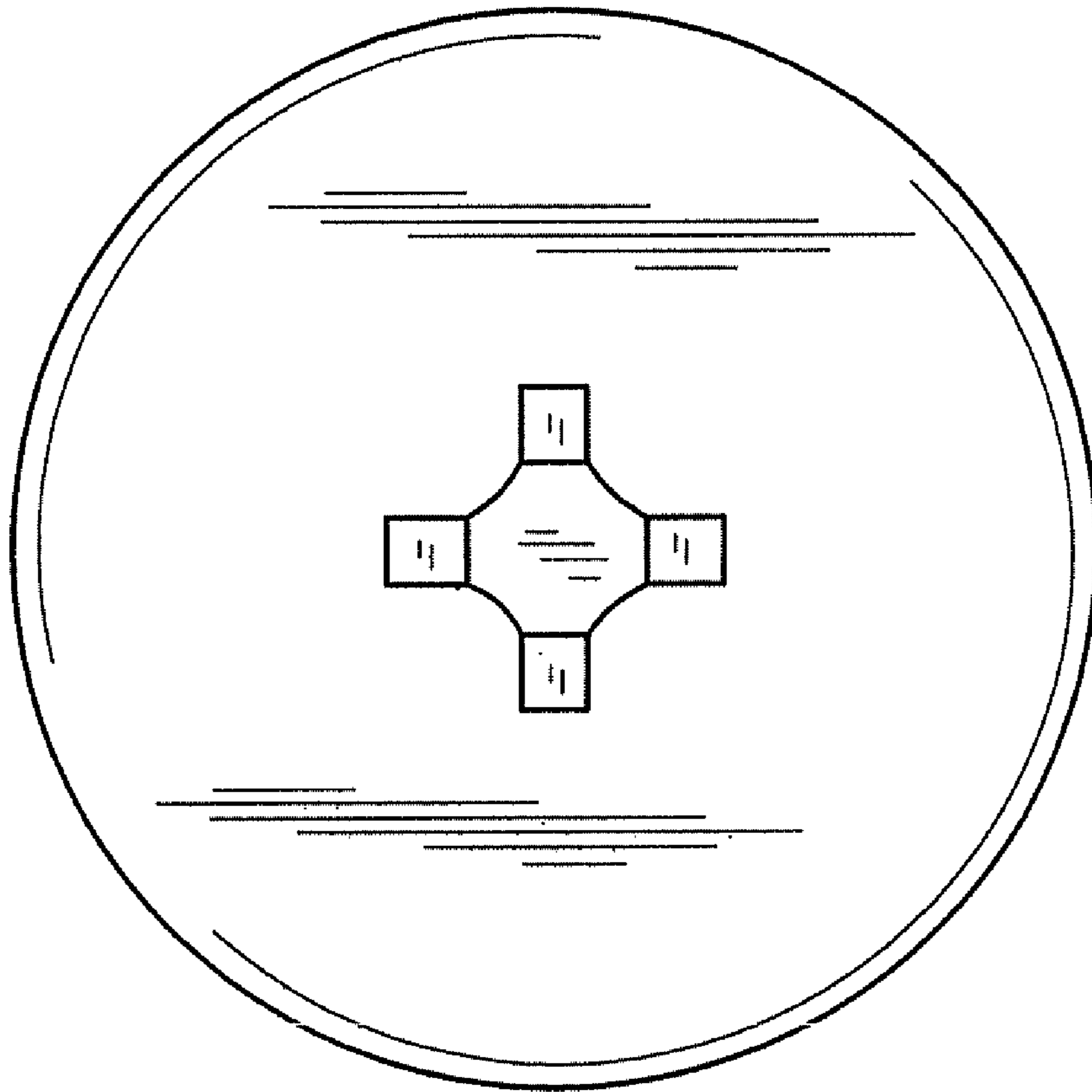


FIG. 4

