

US00D552975S

(12) **United States Design Patent** (10) **Patent No.:** **US D552,975 S**
Ahlund (45) **Date of Patent:** **** Oct. 16, 2007**

(54) **SUPPORT BRACKET AND SHELF DIVIDER SUPPORT ASSEMBLY**

Primary Examiner—Robert M. Spear
Assistant Examiner—Susan Bennett Hattan
(74) *Attorney, Agent, or Firm*—Sughrue Mion, PLLC

(75) Inventor: **Bengt Ahlund**, Jönköping (SE)

(73) Assignee: **H K Display AB**, Skarpnack (SE)

(**) Term: **14 Years**

(21) Appl. No.: **29/236,374**

(22) Filed: **Aug. 16, 2005**

(30) **Foreign Application Priority Data**

Feb. 16, 2005	(EM)	000297171-0001
Feb. 16, 2005	(EM)	000297171-0002
Feb. 16, 2005	(EM)	000297171-0003
Feb. 16, 2005	(EM)	000297171-0004
Feb. 16, 2005	(EM)	000297171-0005
Feb. 16, 2005	(EM)	000297171-0006
Feb. 16, 2005	(EM)	000297171-0007
Feb. 16, 2005	(EM)	000297171-0008
Feb. 16, 2005	(EM)	000297171-0009
Feb. 16, 2005	(EM)	000297171-0010
Feb. 16, 2005	(EM)	000297171-0011

(51) **LOC (8) Cl.** **08-05**

(52) **U.S. Cl.** **D8/381**

(58) **Field of Classification Search** D8/381,
D8/380, 373; D6/574, 572, 556, 449; 248/300,
248/298.1, 250, 247, 243, 236, 235, 222.21-61,
248/214, 208, 454, 489; 108/152, 108; D25/123,
D25/119; D20/43, 20, 44; 52/202
See application file for complete search history.

(56) **References Cited**

U.S. PATENT DOCUMENTS

4,189,880 A * 2/1980 Ballin D25/52

(Continued)

(57) **CLAIM**

The ornamental design for a support bracket and shelf divider support assembly, as shown and described.

DESCRIPTION

FIG. 1 is a perspective view of the top, front and right side of the support bracket portion of a support bracket and shelf divider support assembly showing my new design;

FIG. 2 is a perspective view of the bottom, rear and left side thereof;

FIG. 3 is a right side elevational view of the support bracket and shelf divider support assembly with the shelf divider support partially inserted into the support bracket;

FIG. 4 is a right side elevational view thereof, but with the shelf divider support completely inserted into the support bracket;

FIG. 5 is a perspective view of the top, front and right side of the inner component of the support bracket, with the outer component removed for clarity of illustration;

FIG. 6 is a perspective view of the rear, bottom and right side thereof;

FIG. 7 is a right side elevational view thereof;

FIG. 8 is a perspective view the shelf divider support in use with a shelf divider;

FIG. 9 is a front elevational view of the shelf divider support in use with a shelf divider;

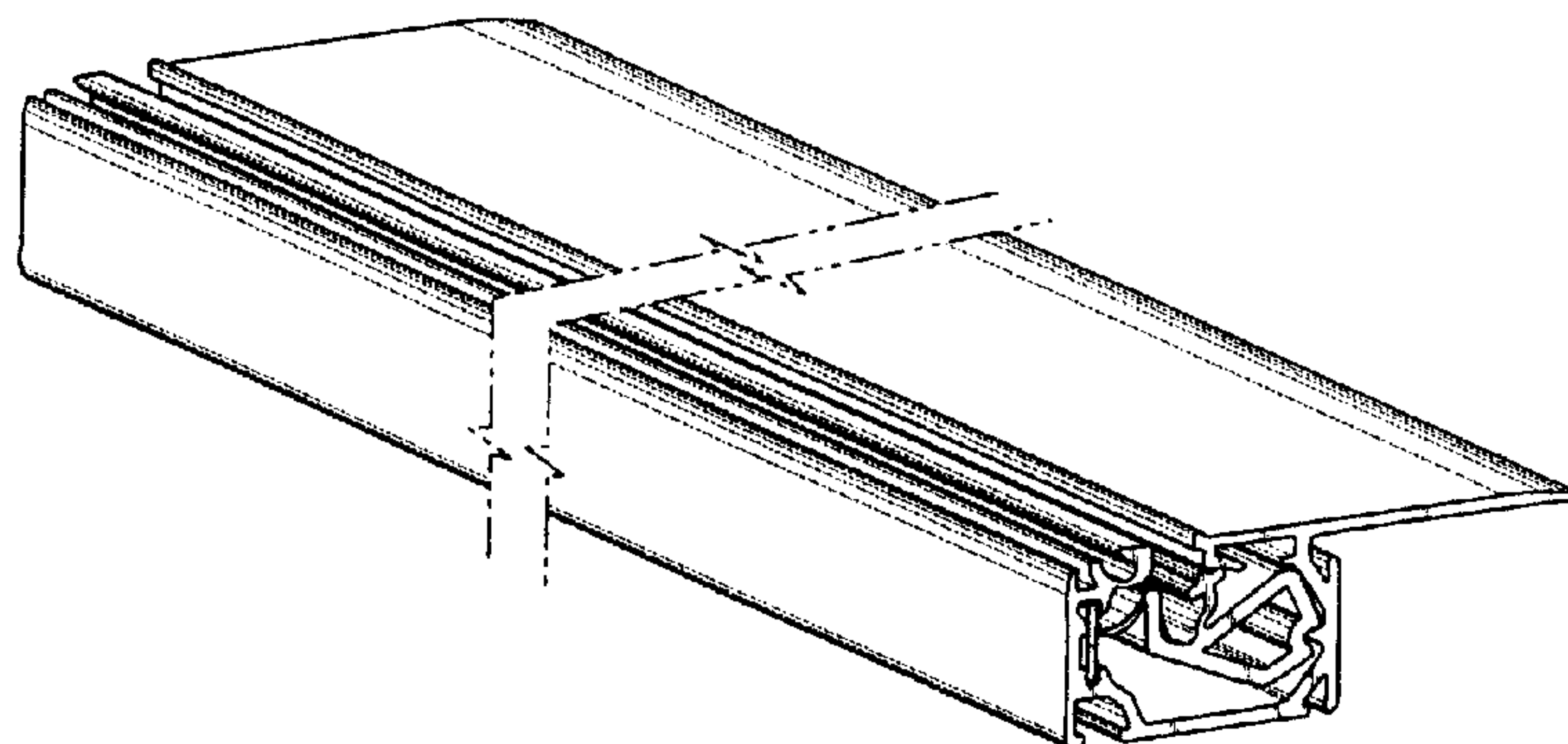
FIG. 10 is a rear elevational view thereof;

FIG. 11 is a left side elevational view thereof; and,

FIG. 12 is a perspective view of the right and rear sides thereof.

The elements shown in broken lines are for illustrative purposes only and form no part of the claimed design.

1 Claim, 7 Drawing Sheets



US D552,975 S

Page 2

U.S. PATENT DOCUMENTS

D254,624 S *	4/1980	Stenersen	D20/43	6,450,471 B1 *	9/2002	Wear	248/489
4,787,595 A *	11/1988	Hegarty	248/454	D480,949 S *	10/2003	Kosir	D8/373
D309,351 S *	7/1990	Patsy, Jr.	D25/119	6,935,060 B2 *	8/2005	Bjerke et al.	248/220.22
D446,249 S *	8/2001	Bjerke et al.	D20/44	D536,954 S *	2/2007	Sjoberg	D8/373
D447,184 S *	8/2001	Bjerke et al.	D20/44					

* cited by examiner

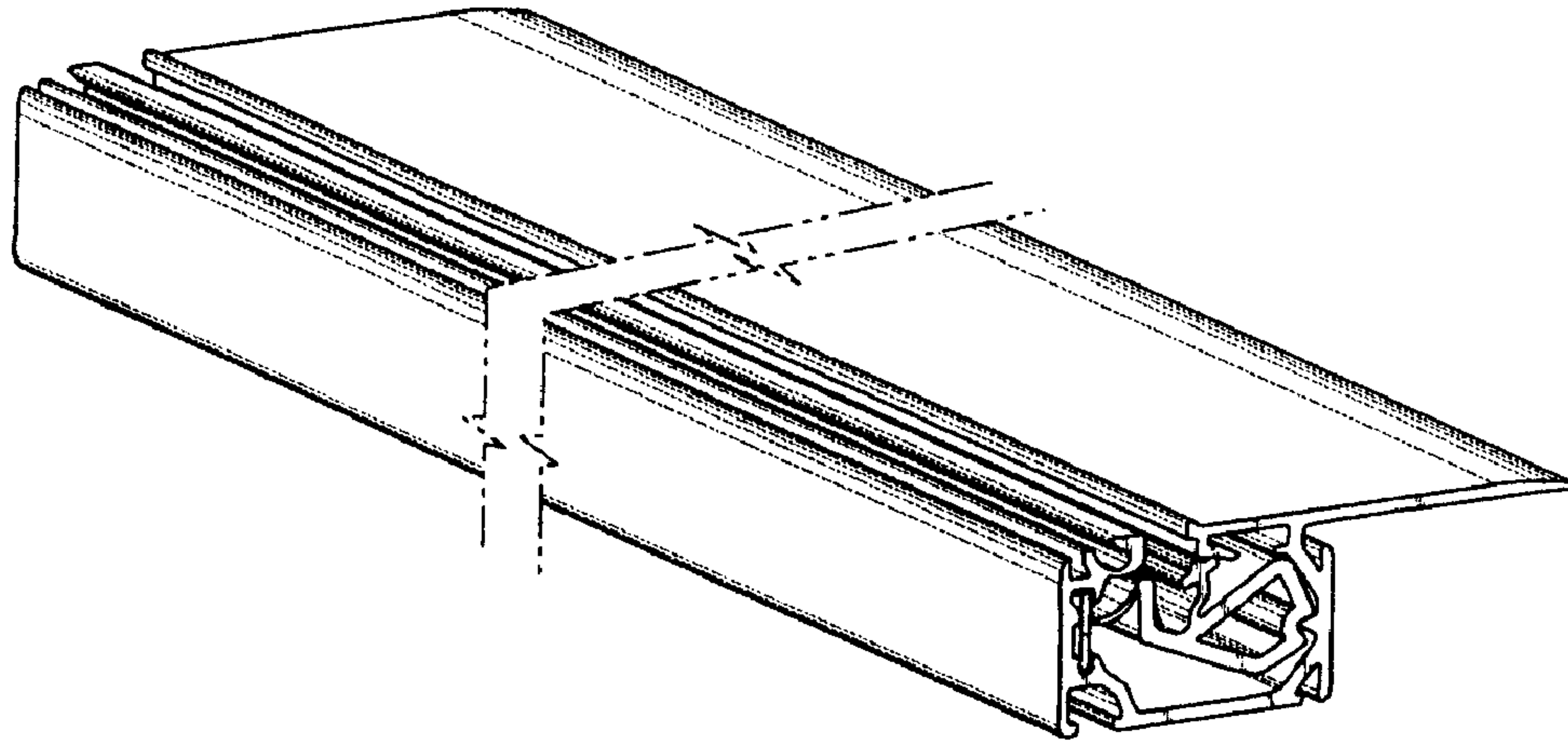


Fig. 1

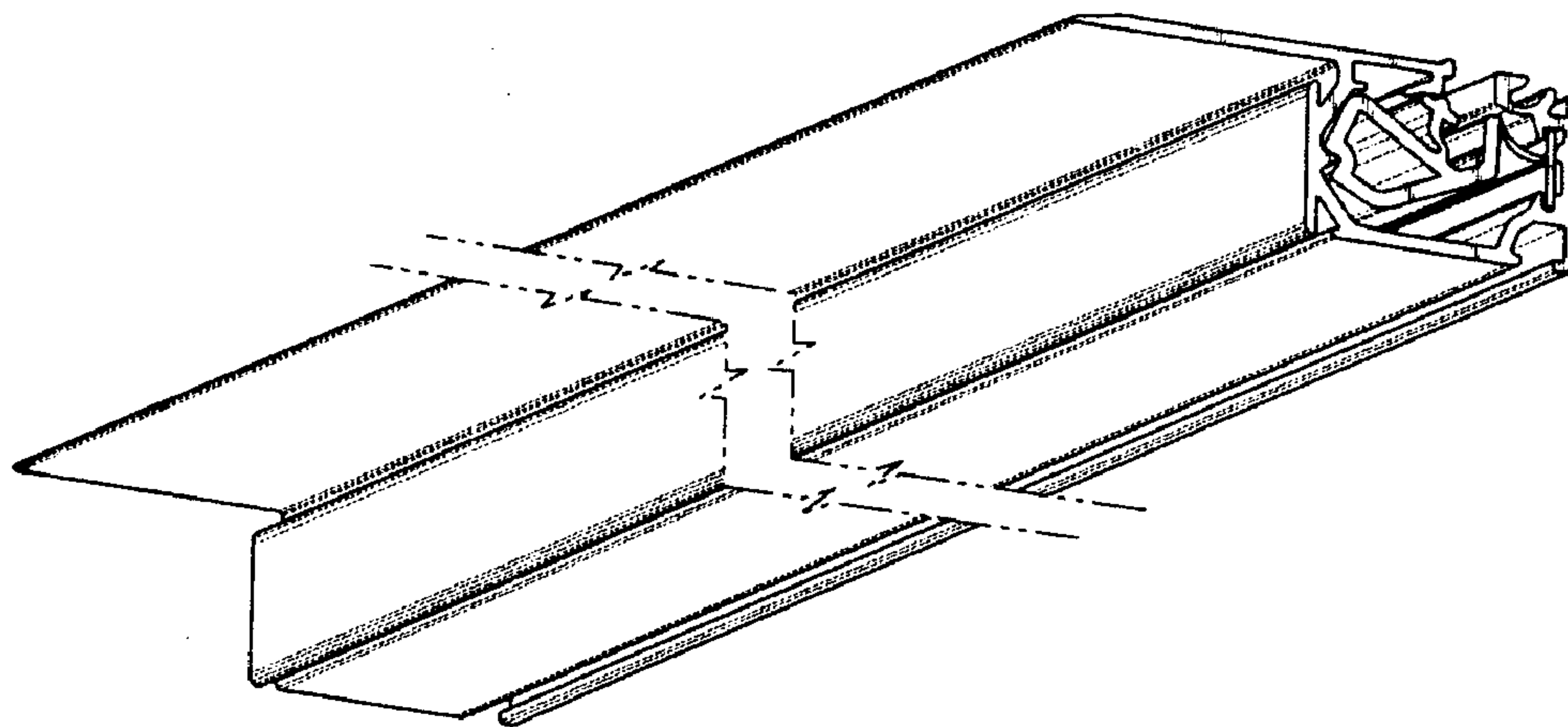


Fig. 2

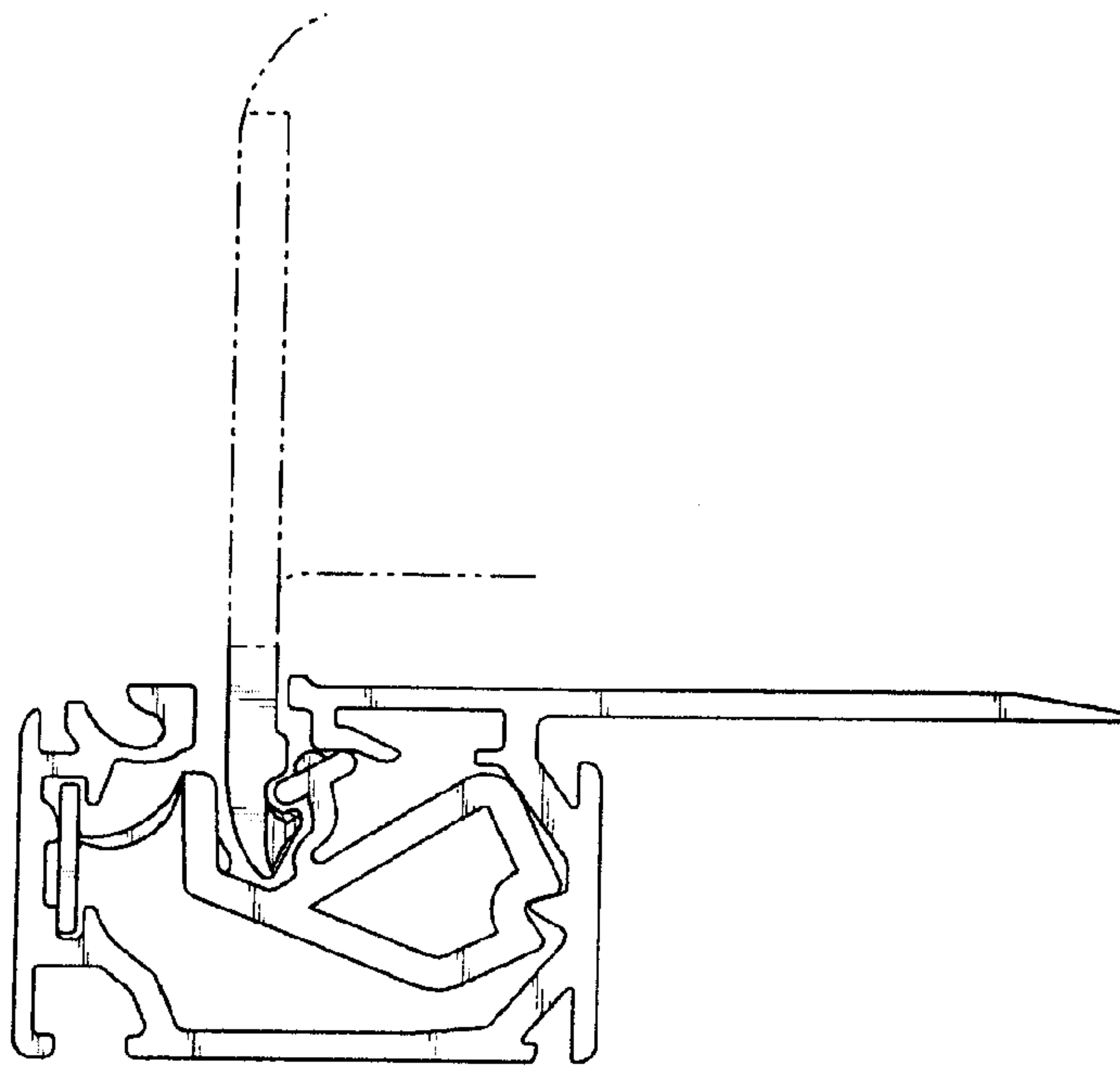


Fig. 3

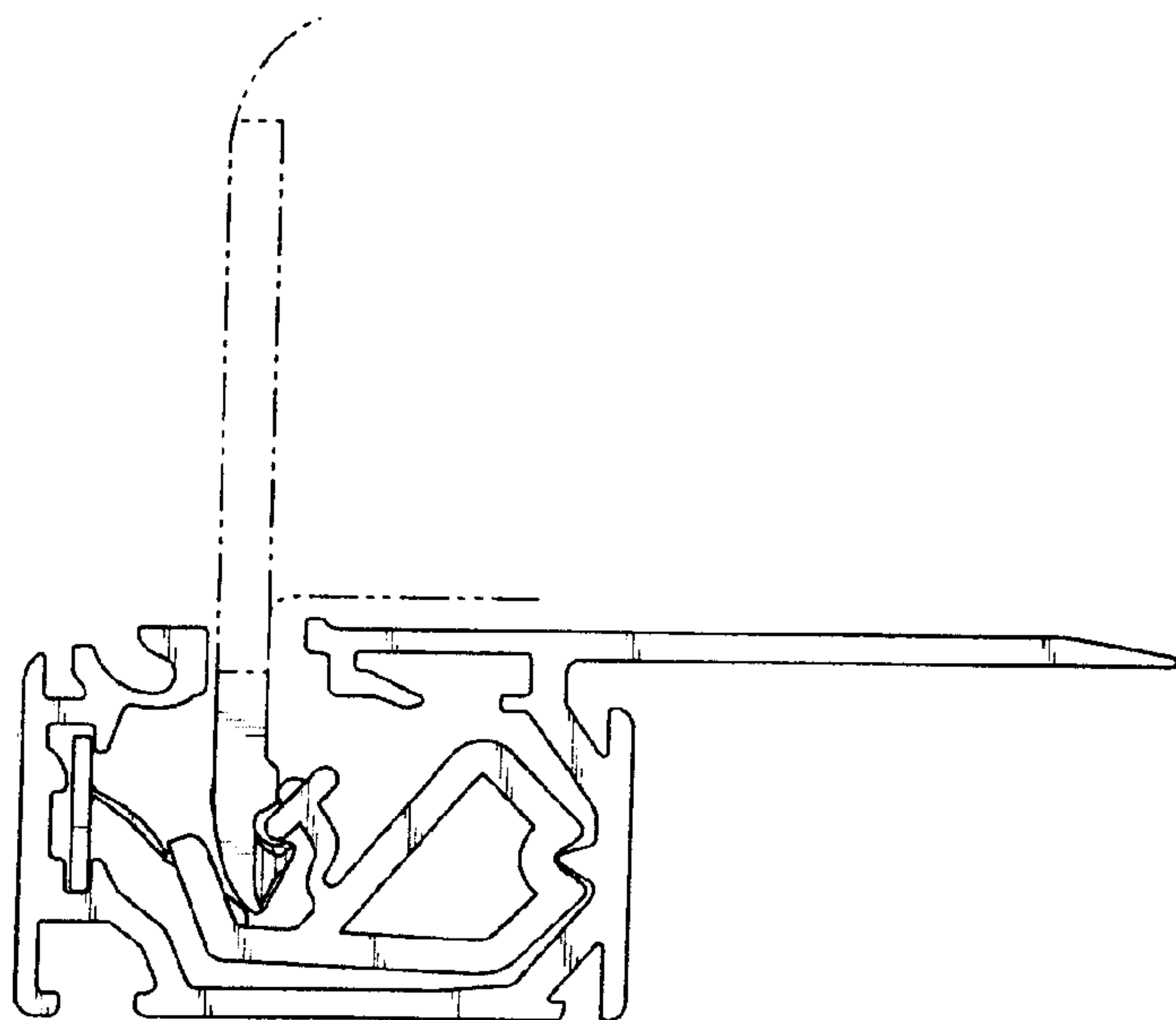


Fig. 4

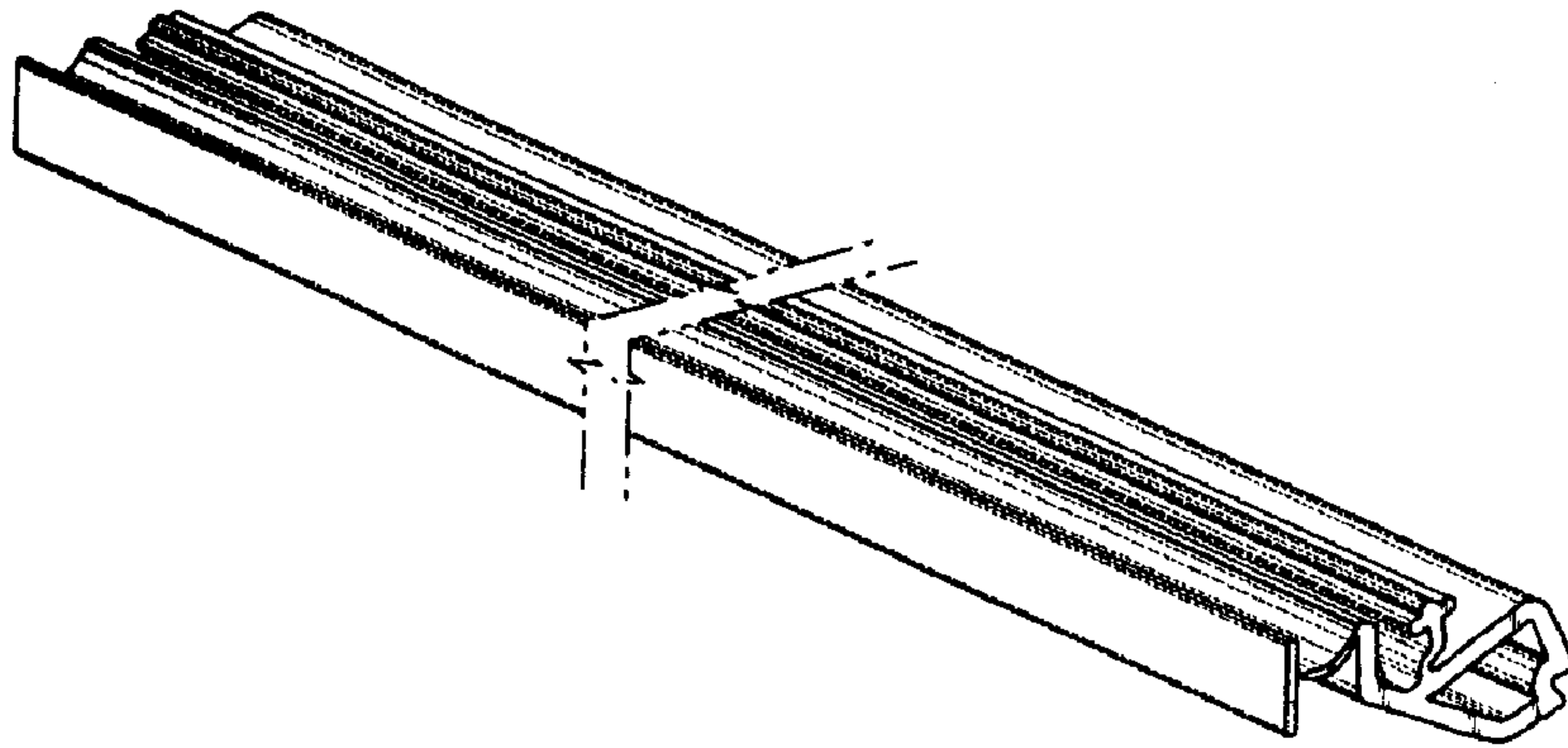


Fig. 5

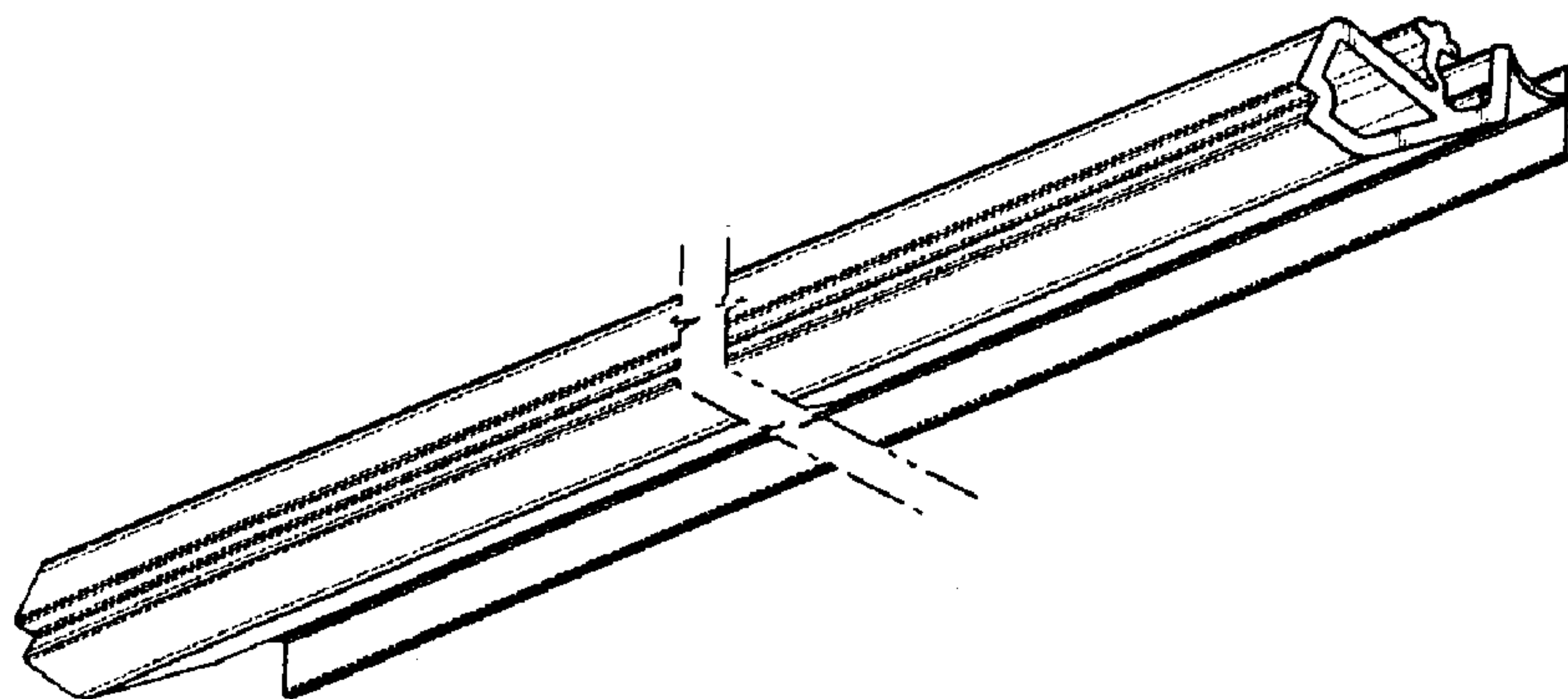


Fig. 6

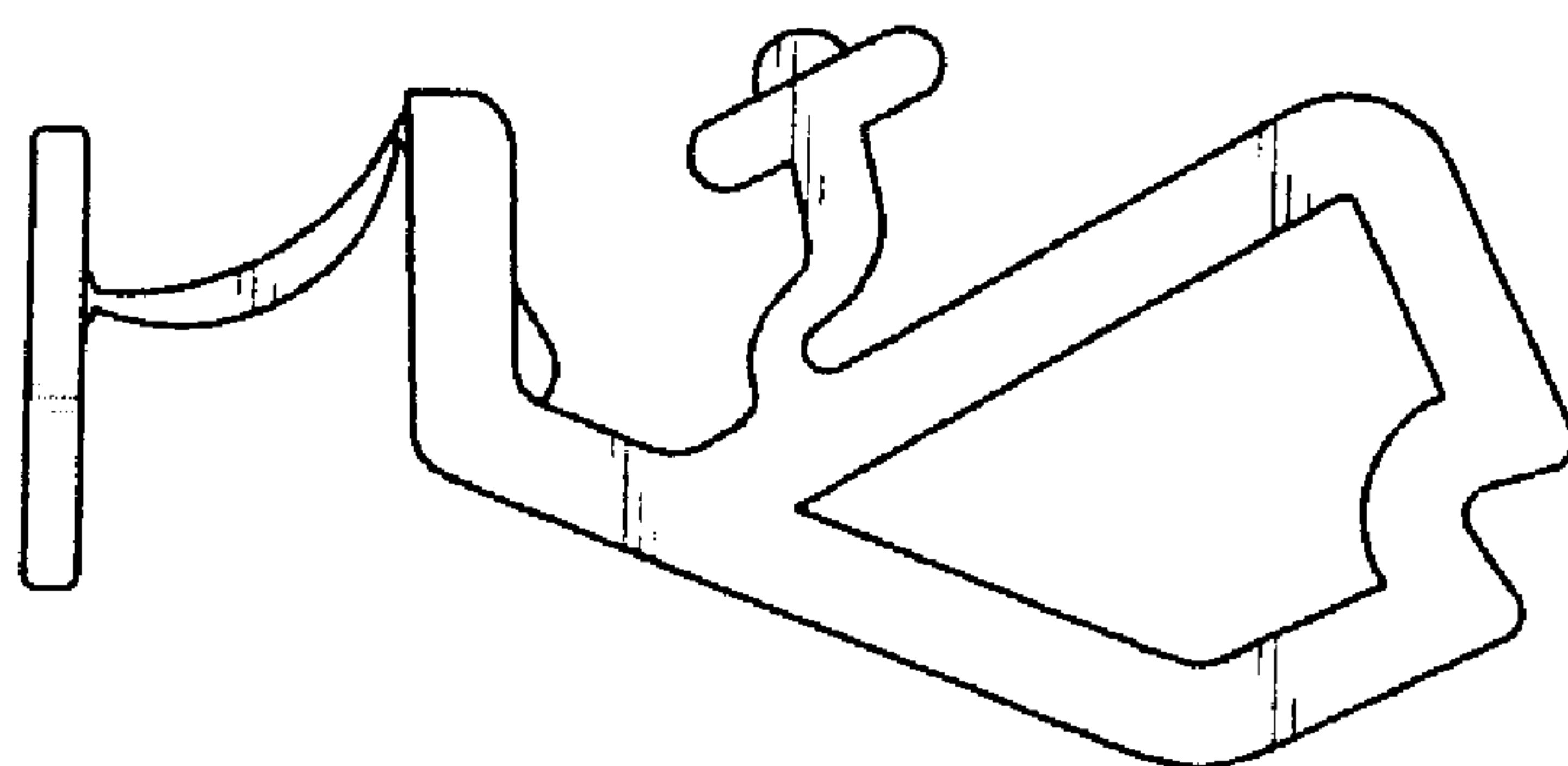


Fig. 7

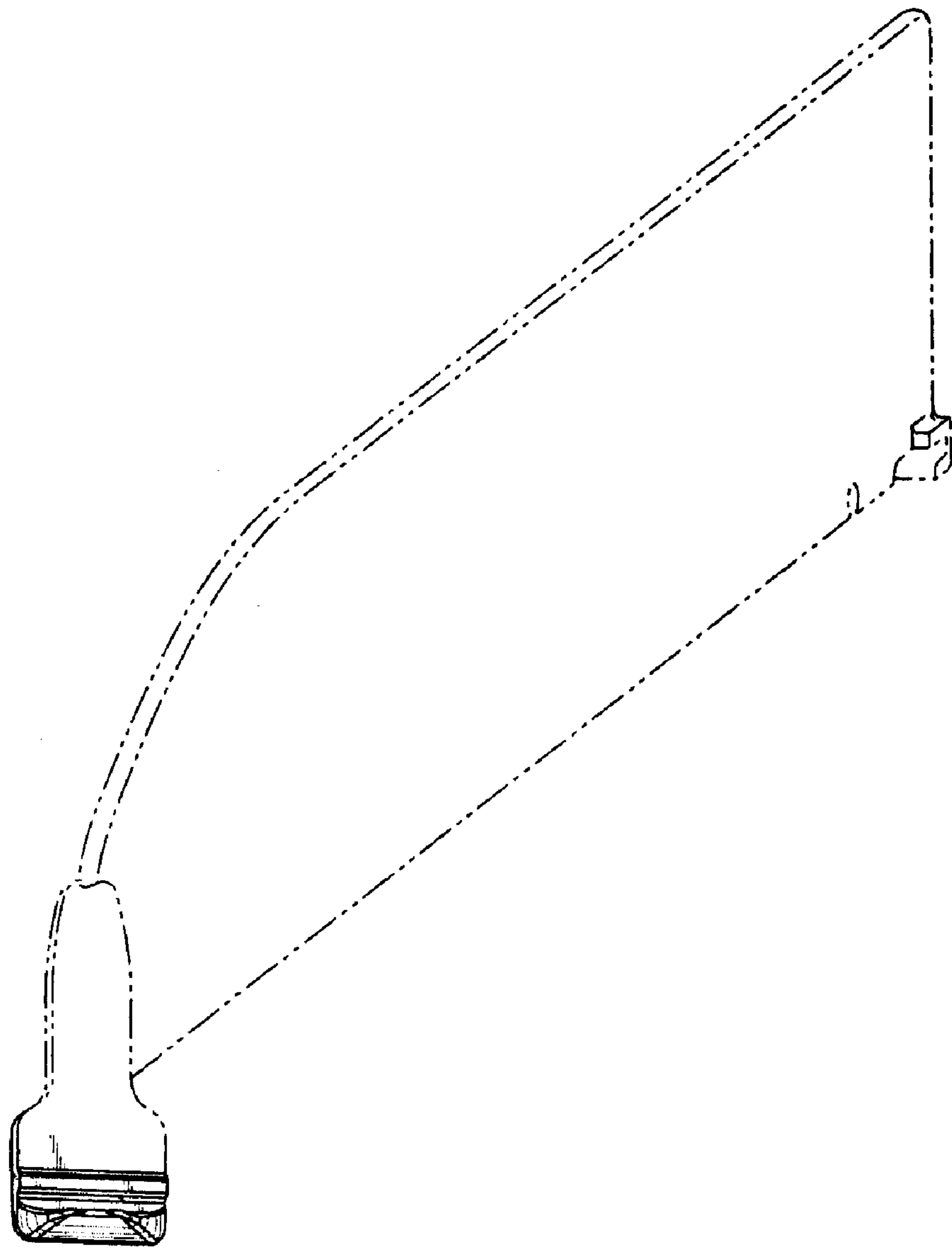


Fig. 8

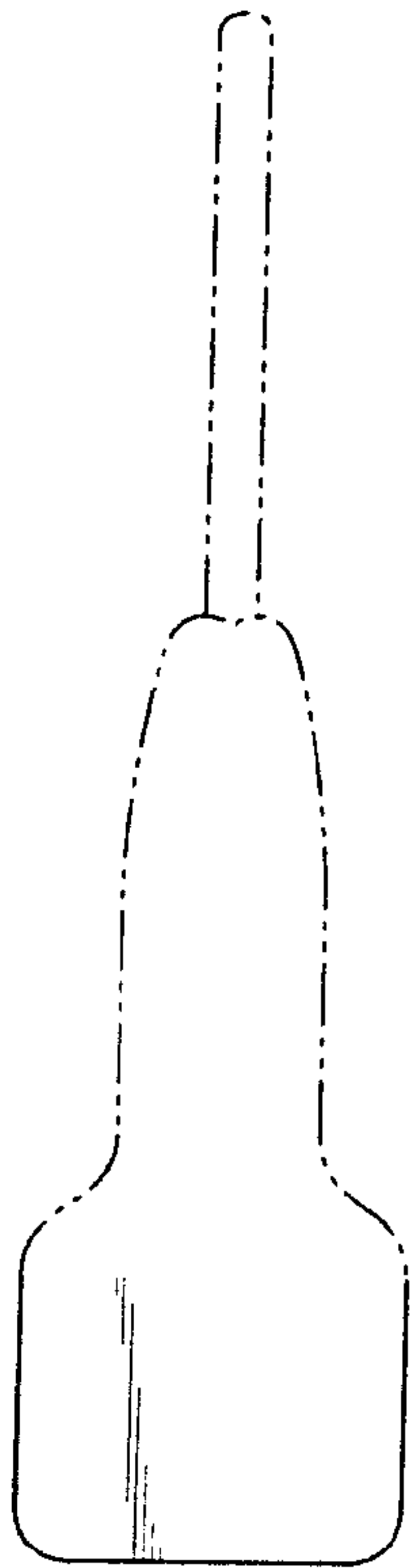


Fig. 9

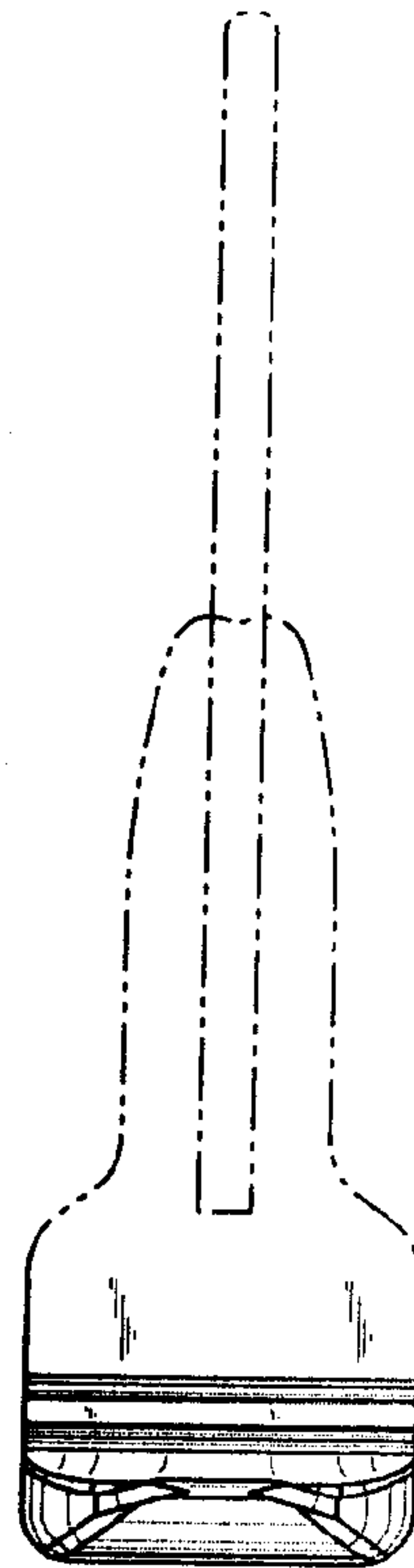


Fig. 10

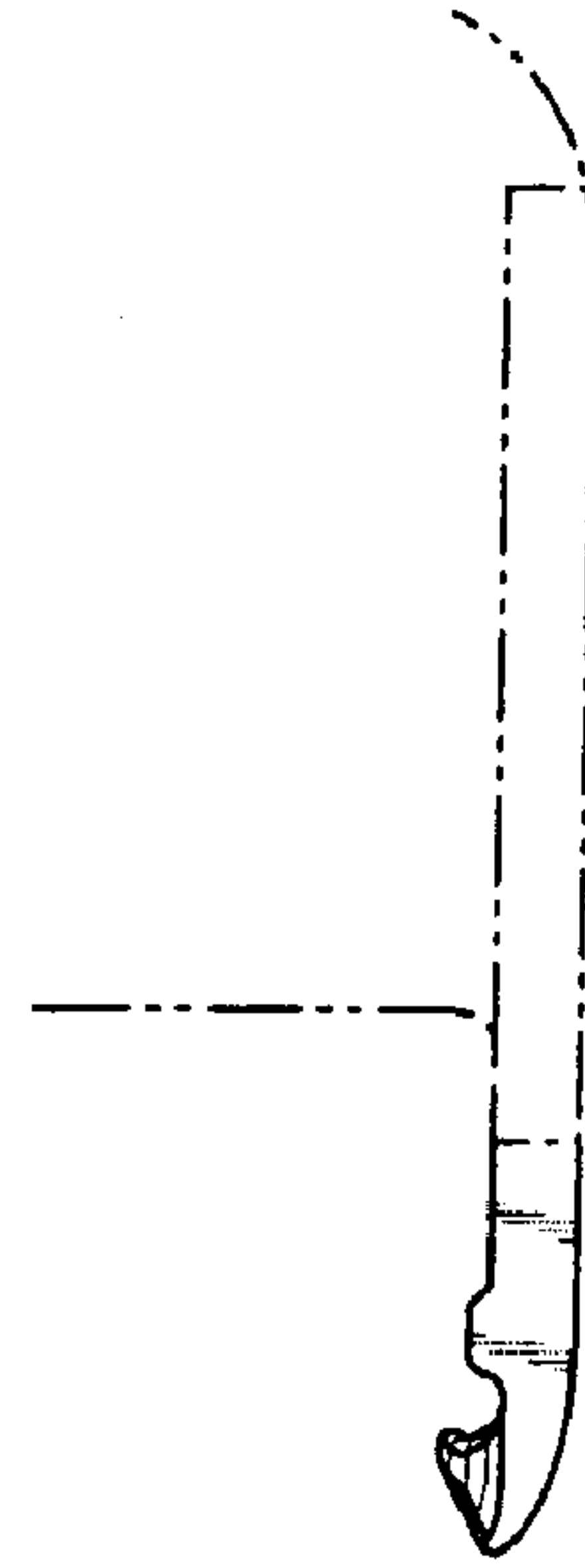


Fig. 11

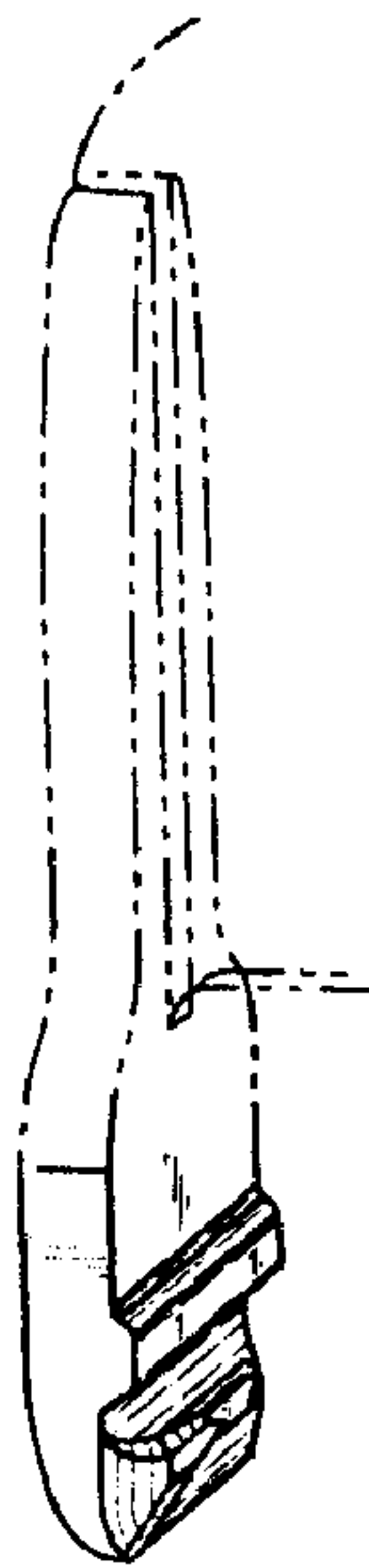


Fig. 12

UNITED STATES PATENT AND TRADEMARK OFFICE
CERTIFICATE OF CORRECTION

PATENT NO. : Des. 552,975 S
APPLICATION NO. : 29/236374
DATED : October 16, 2007
INVENTOR(S) : Bengt Ahlund

Page 1 of 1

It is certified that error appears in the above-identified patent and that said Letters Patent is hereby corrected as shown below:

On the Title Page Item (73) should read,

Assignee: ~~H K Display AB, Skarpnack (SE)~~ H L Display AB, Skarpnack (SE)

Signed and Sealed this

Twenty-fourth Day of June, 2008



JON W. DUDAS

Director of the United States Patent and Trademark Office