



US00D552974S

(12) **United States Design Patent**  
**Petrick et al.**

(10) **Patent No.:** **US D552,974 S**

(45) **Date of Patent:** **\*\* Oct. 16, 2007**

(54) **WISHBONE SUPPORT ARM WITH WIRE MANAGEMENT CLIP**

D489,599 S \* 5/2004 Lam ..... D8/363  
D496,367 S \* 9/2004 Pfister ..... D14/451

(75) Inventors: **Christopher Petrick**, Park Ridge, IL (US); **Robert Coon**, Chicago, IL (US); **Clifford Krapfl**, Chicago, IL (US); **Bjorn Gunderson**, Chicago, IL (US)

\* cited by examiner

*Primary Examiner*—Holly H. Baynham  
(74) *Attorney, Agent, or Firm*—John C. Gorecki

(73) Assignee: **Bretford Manufacturing, Inc.**, Franklin Park, IL (US)

(57) **CLAIM**

The ornamental design for a wishbone support arm with wire management clip, as shown and described.

(\*\*) Term: **14 Years**

(21) Appl. No.: **29/258,740**

(22) Filed: **Apr. 26, 2006**

(51) **LOC (8) Cl.** ..... **08-05**

(52) **U.S. Cl.** ..... **D8/363**

(58) **Field of Classification Search** ..... D8/363;  
D14/251, 451, 214; 248/274.1, 284.1  
See application file for complete search history.

**DESCRIPTION**

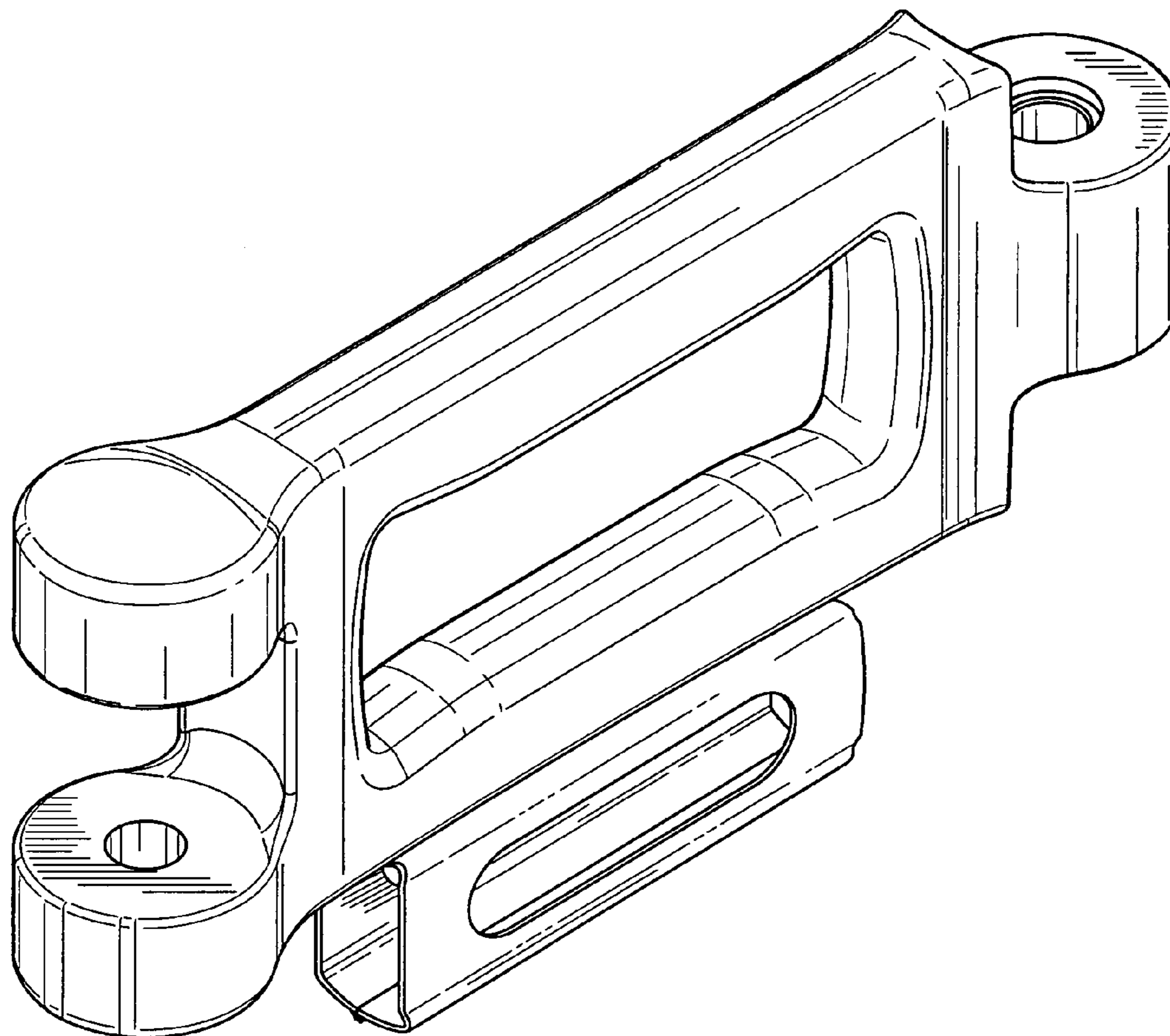
FIG. 1 is a top perspective view of a wishbone support arm with wire management clip embodying our novel design; FIG. 2 is a bottom perspective view thereof; FIG. 3 is a front elevational view thereof; FIG. 4 is a rear elevational view thereof; FIG. 5 is a left side elevational view thereof; FIG. 6 is a right side elevational view thereof; FIG. 7 is a top plan view thereof; and, FIG. 8 is a bottom plan view thereof.

(56) **References Cited**

**U.S. PATENT DOCUMENTS**

6,719,253 B2 \* 4/2004 Oddsen, Jr. .... 248/274.1

**1 Claim, 6 Drawing Sheets**



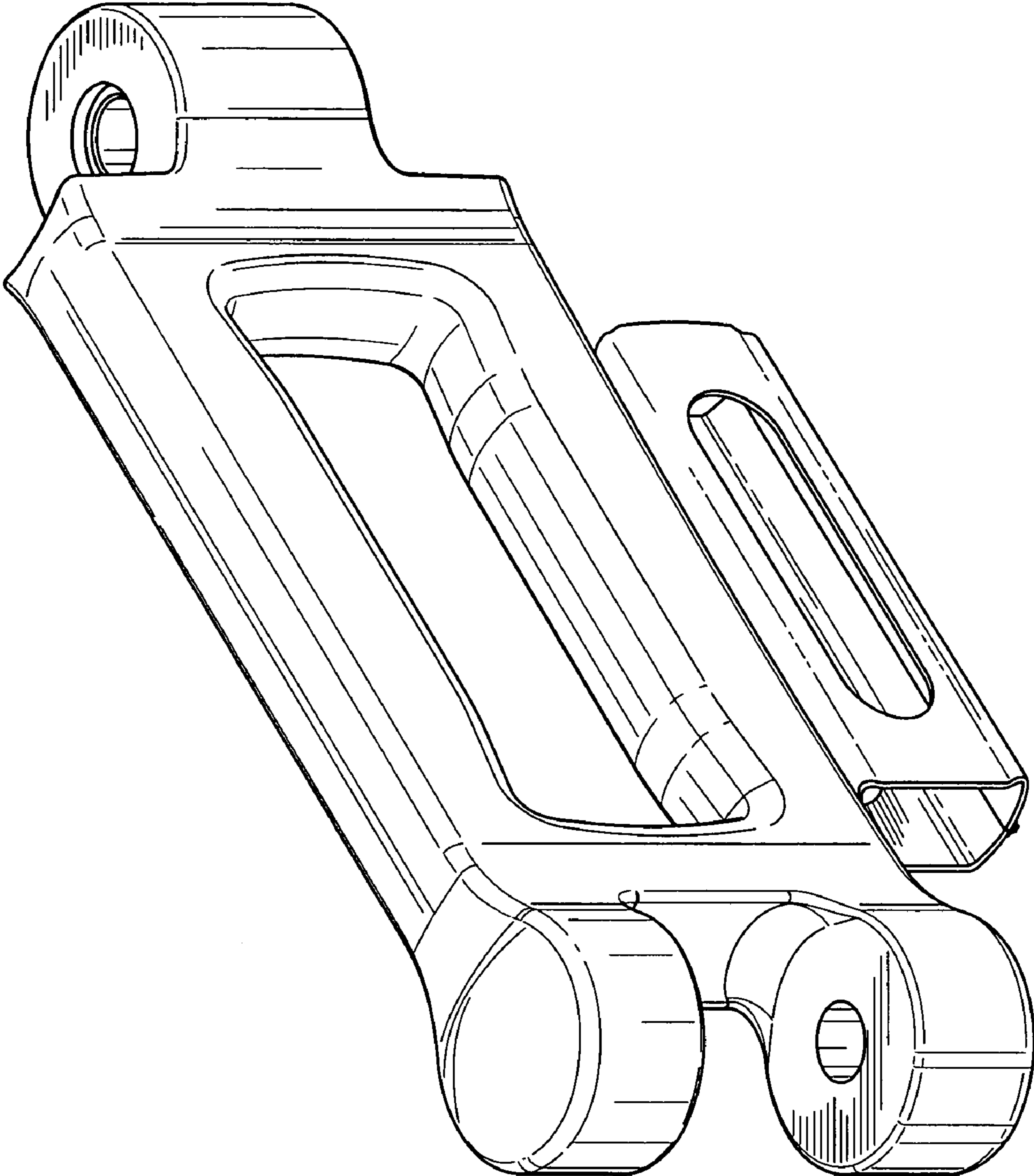


FIG. 1

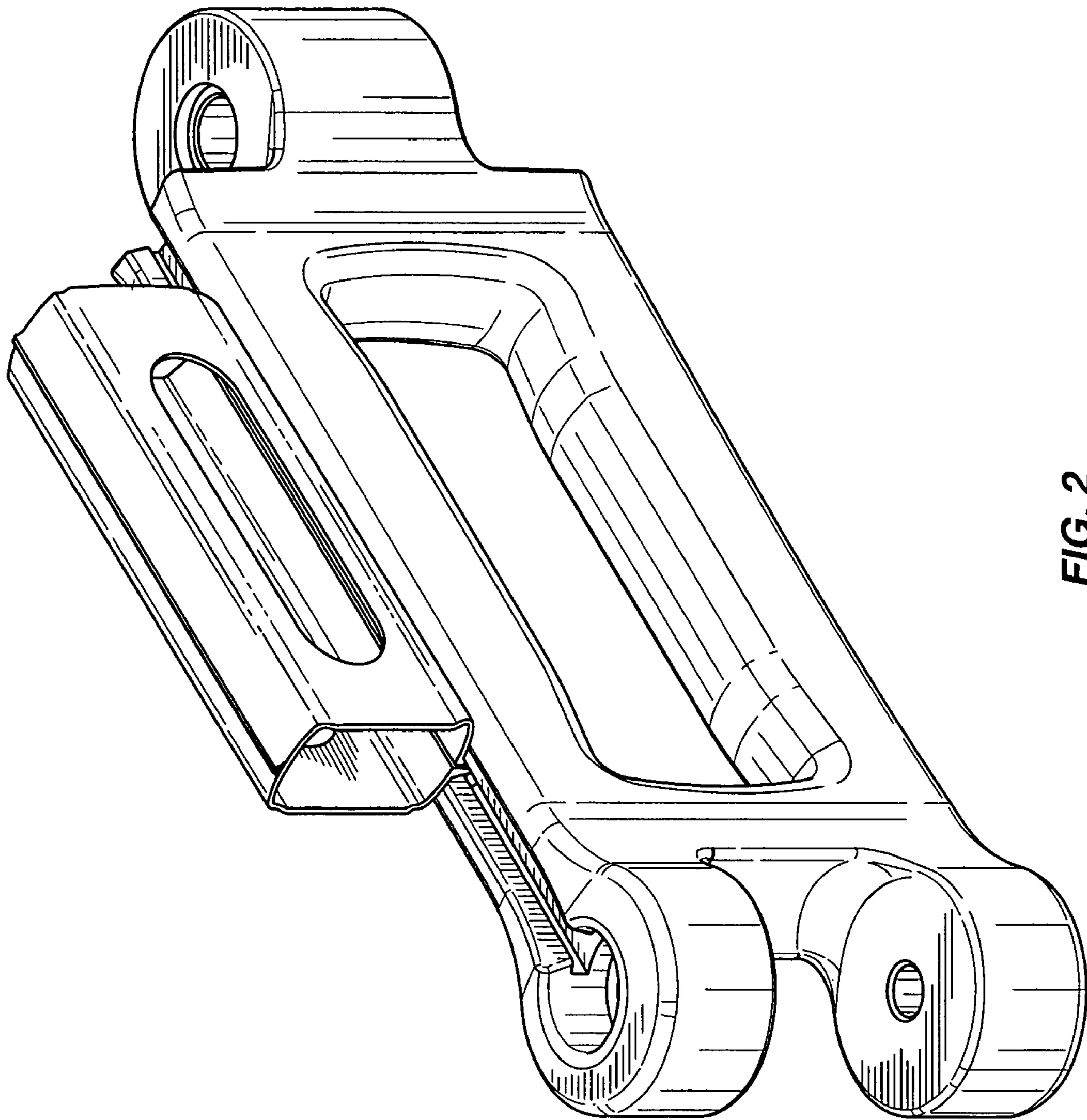
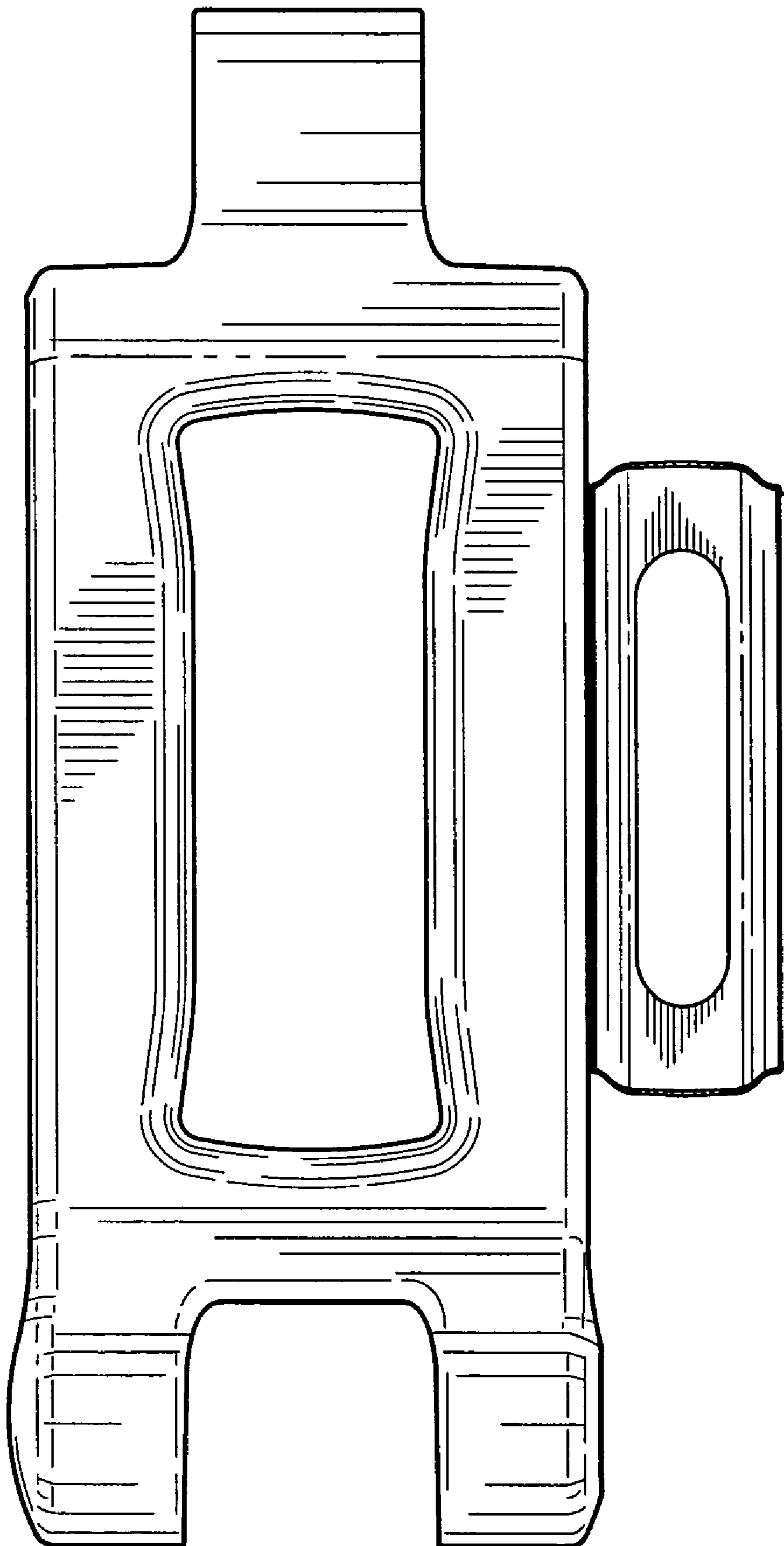
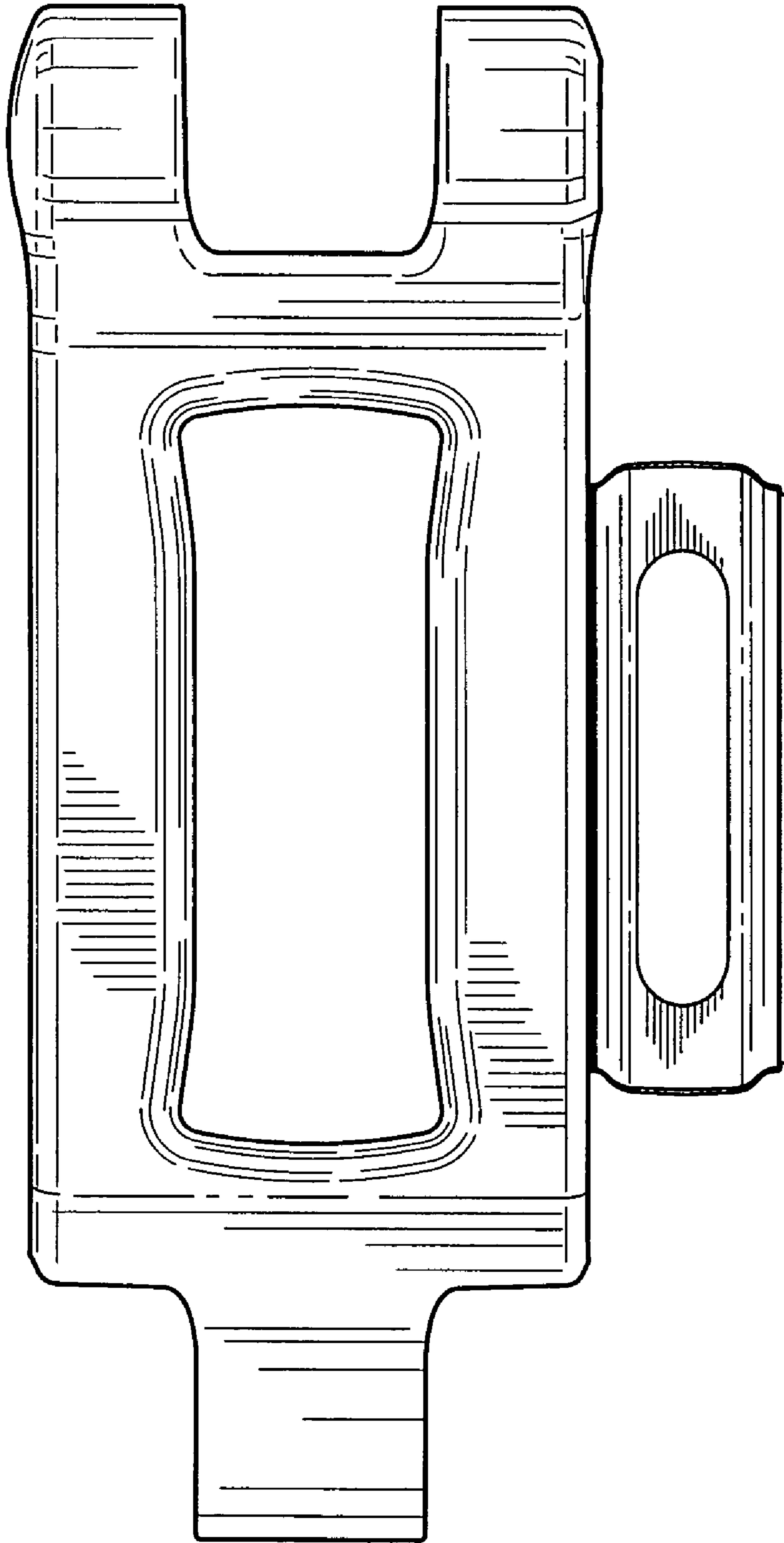


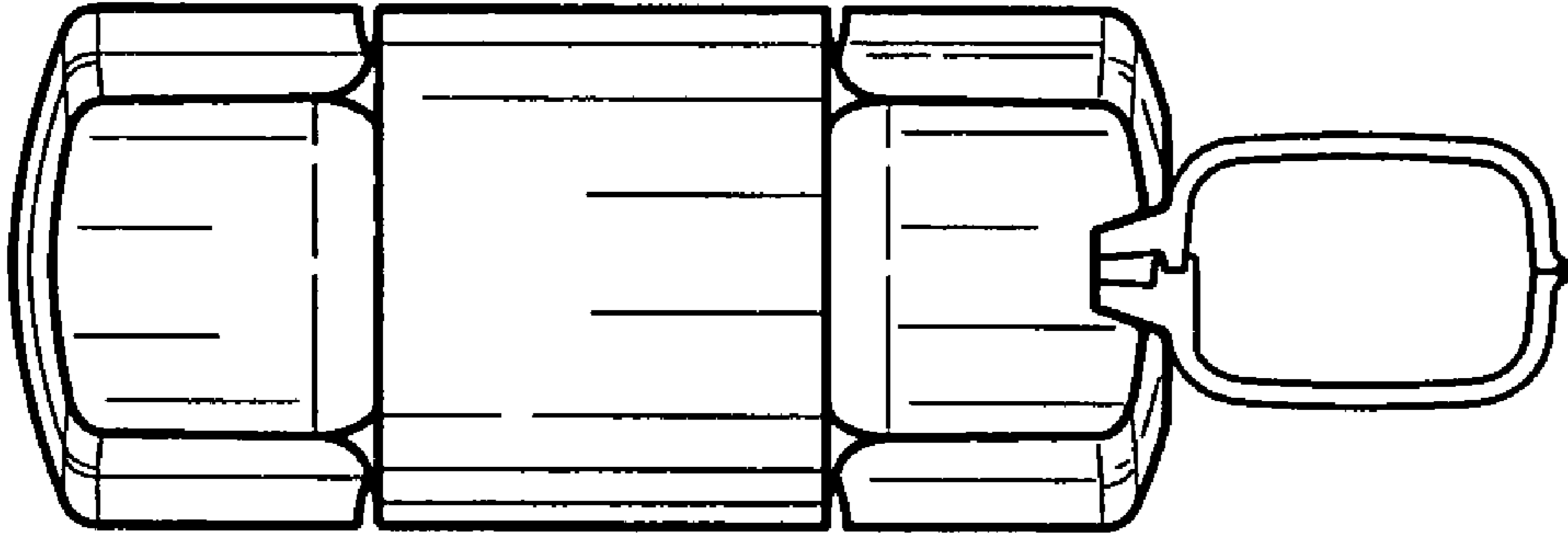
FIG. 2



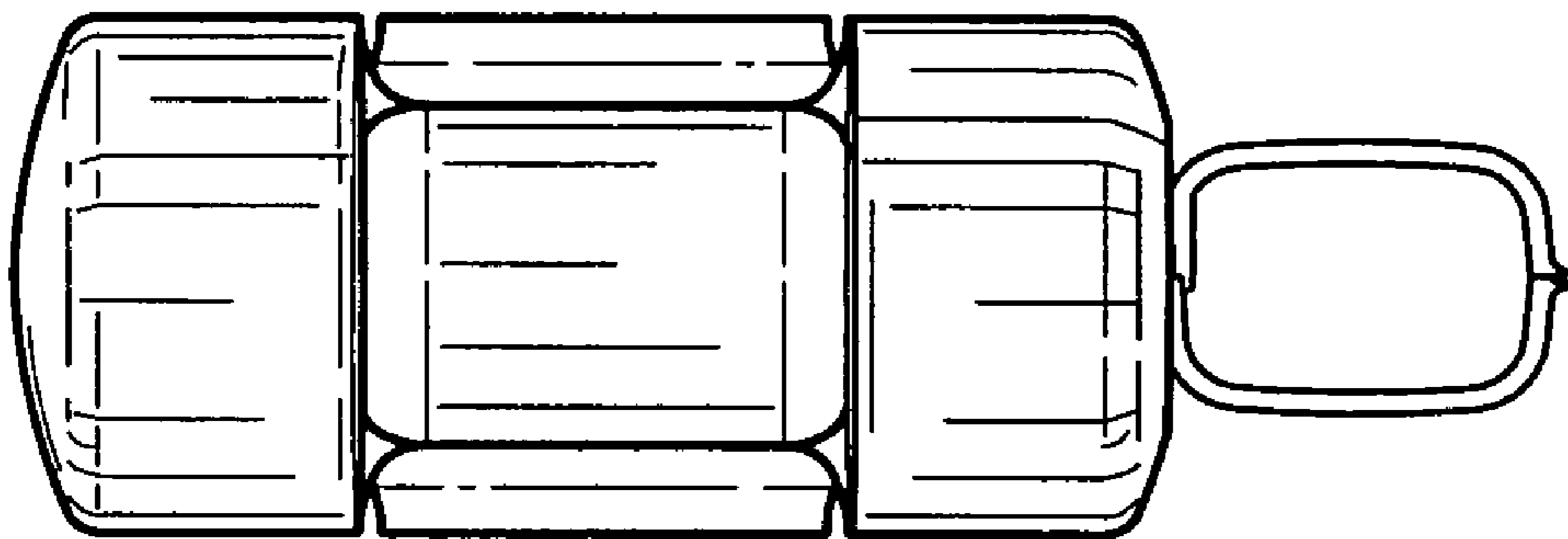
**FIG. 3**



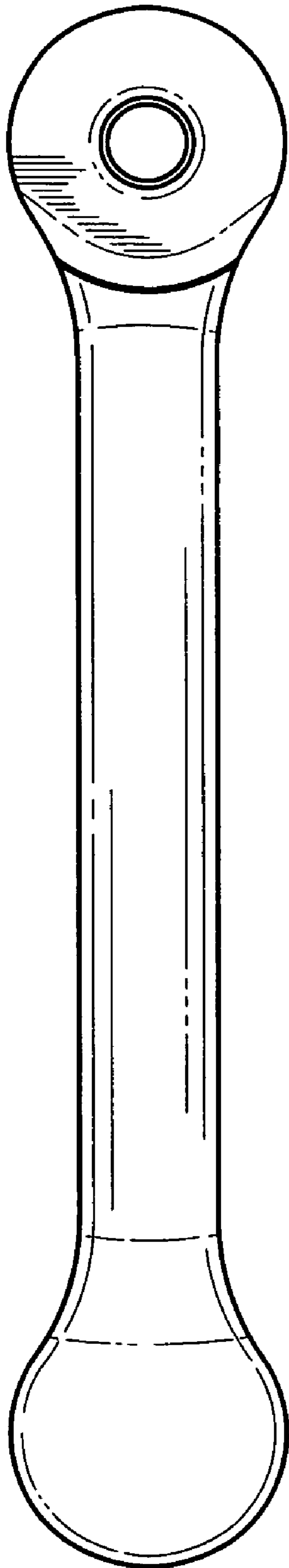
**FIG. 4**



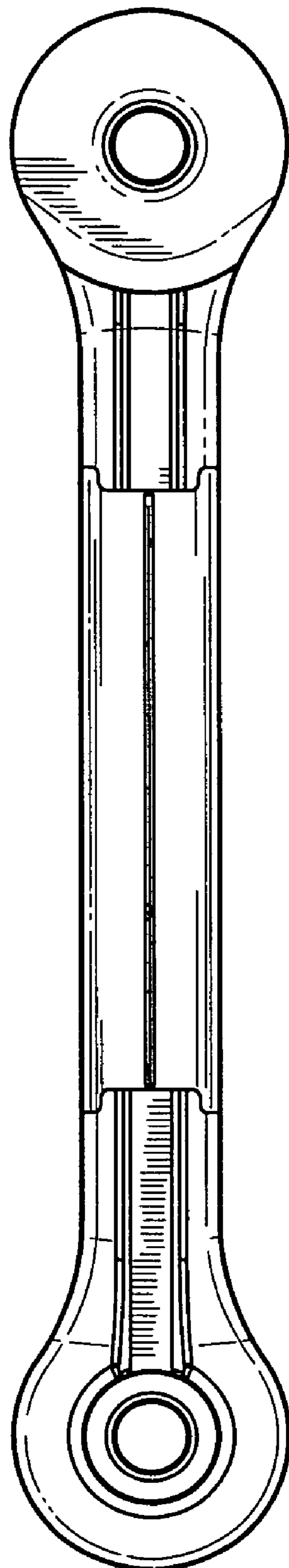
**FIG. 6**



**FIG. 5**



**FIG. 7**



**FIG. 8**