



US00D552973S

(12) **United States Design Patent**
Hutchinson

(10) **Patent No.:** **US D552,973 S**

(45) **Date of Patent:** **** Oct. 16, 2007**

(54) **STORAGE CLIP**

DE 28 16 266 10/1979

(76) Inventor: **Vaughan John Hutchinson**, 175 Surrey Road, RD 8, Tariki, Inglewood (NZ)

* cited by examiner

(**) Term: **14 Years**

Primary Examiner—Holly H. Baynham
(74) *Attorney, Agent, or Firm*—Young & Thompson

(21) Appl. No.: **29/229,015**

(22) Filed: **May 3, 2005**

(57) **CLAIM**

(30) **Foreign Application Priority Data**

Nov. 3, 2004 (NZ) 405478

The ornamental design for a storage clip, as shown and described.

(51) **LOC (8) Cl.** **08-05**

(52) **U.S. Cl.** **D8/363**

(58) **Field of Classification Search** D8/373,
D8/356, 363; 248/75, 309.1

See application file for complete search history.

DESCRIPTION

(56) **References Cited**

U.S. PATENT DOCUMENTS

- 4,779,815 A 10/1988 Moore et al.
- D411,735 S * 6/1999 Bernard et al. D8/356
- 6,003,803 A 12/1999 Knapp et al.
- 6,135,381 A 10/2000 Teson

FIG. 1 is a front perspective view of a storage clip showing my new design;

FIG. 2 is an exploded perspective front view thereof;

FIG. 3 is a front perspective view thereof without the bracket;

FIG. 4 is an exploded rear perspective view thereof;

FIG. 5 is a bottom plan view thereof;

FIG. 6 is a side view thereof; and,

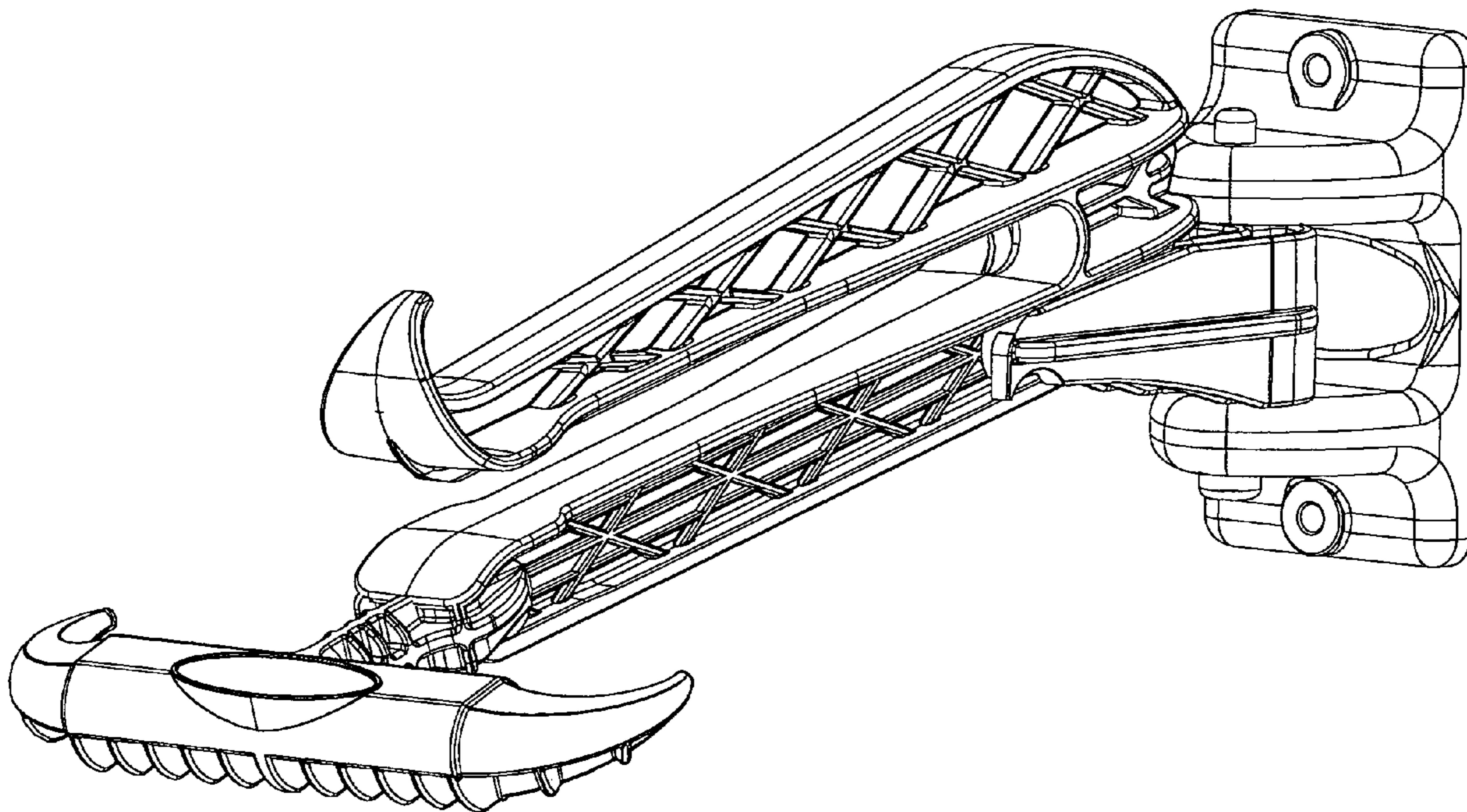
FIG. 7 is an exploded side view thereof.

The view of FIG. 3 is shown separately for ease and clarity of illustration.

FOREIGN PATENT DOCUMENTS

AU 2002301862 2/2004

1 Claim, 7 Drawing Sheets



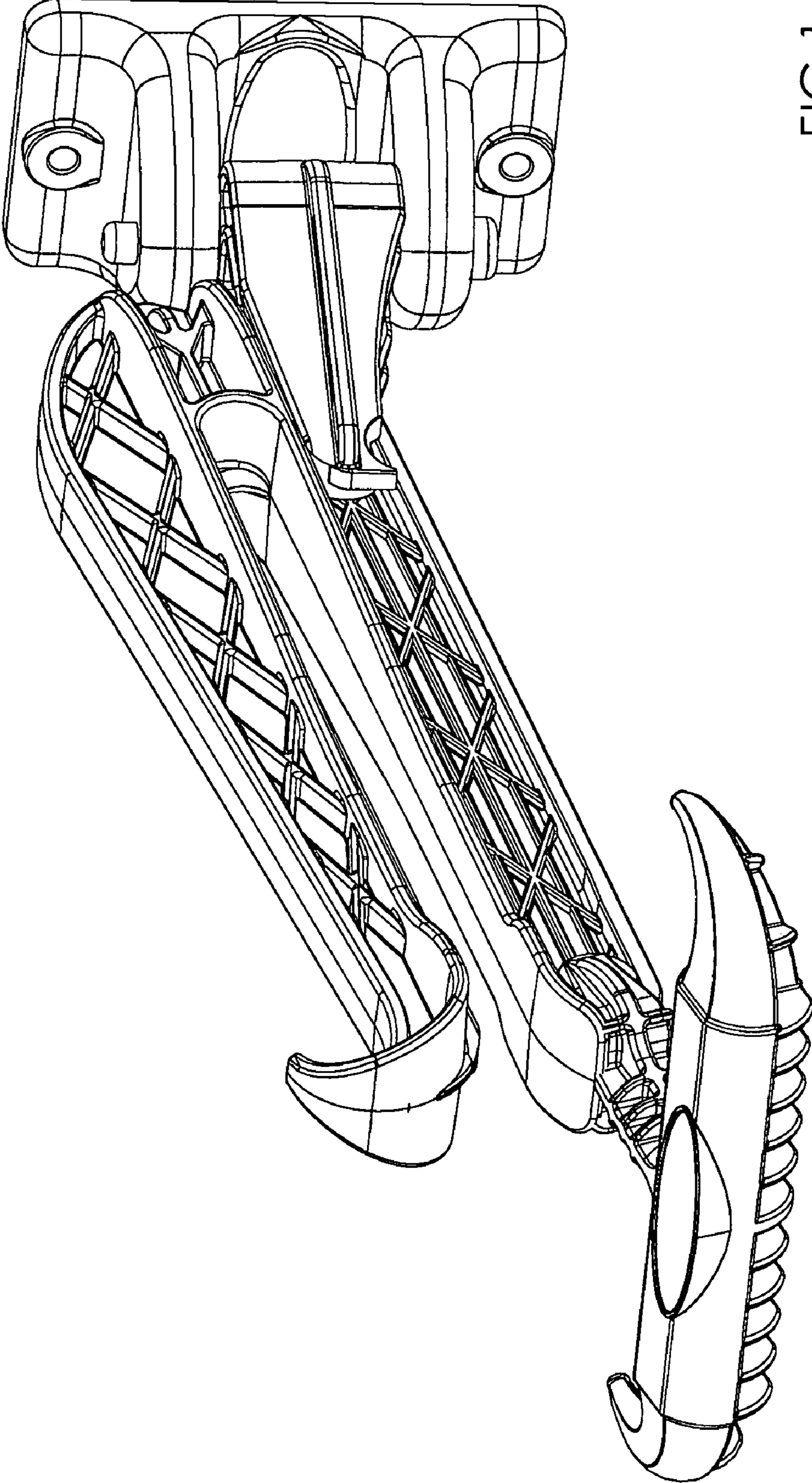


FIG. 1

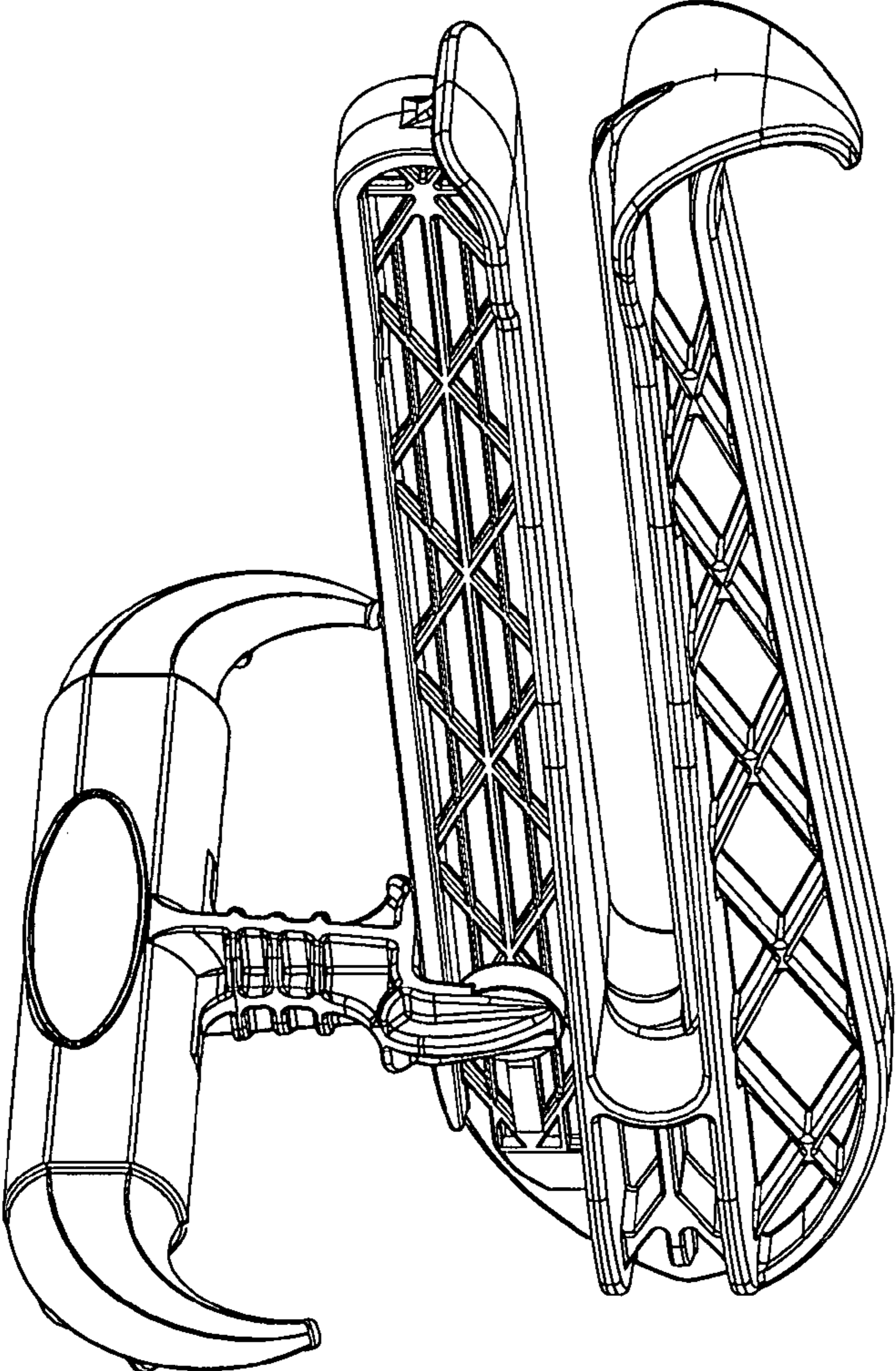


FIG.2

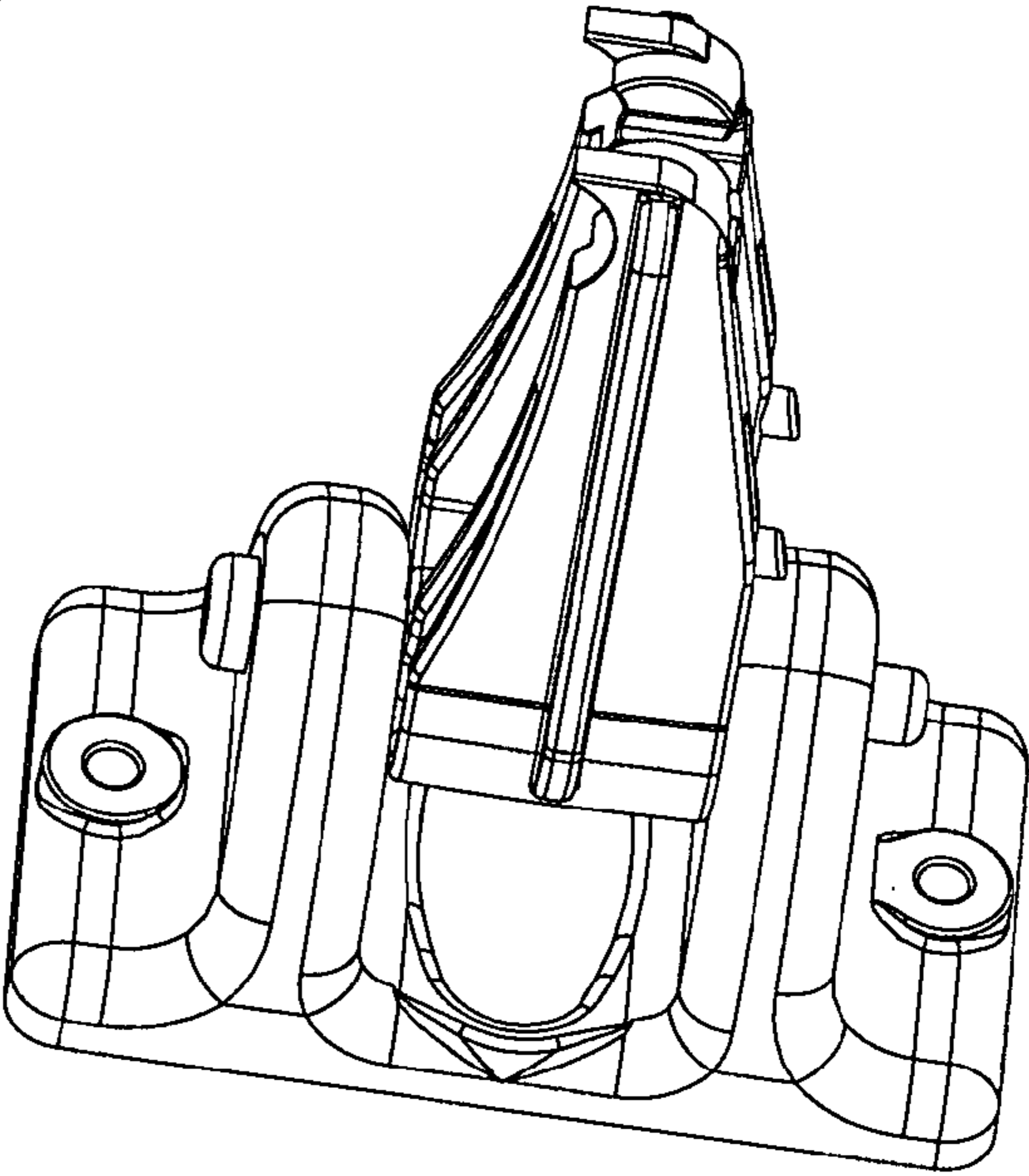


FIG.3

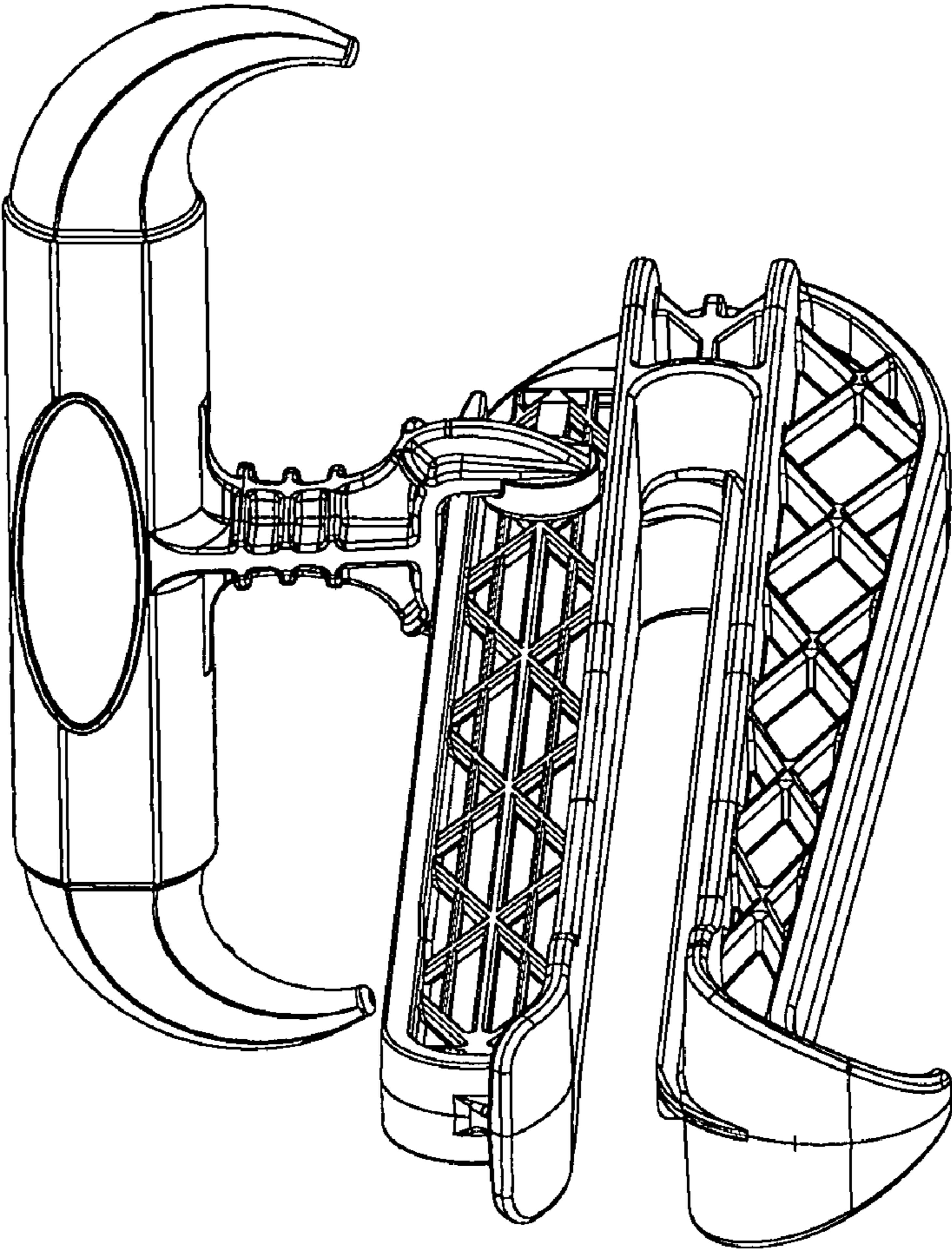
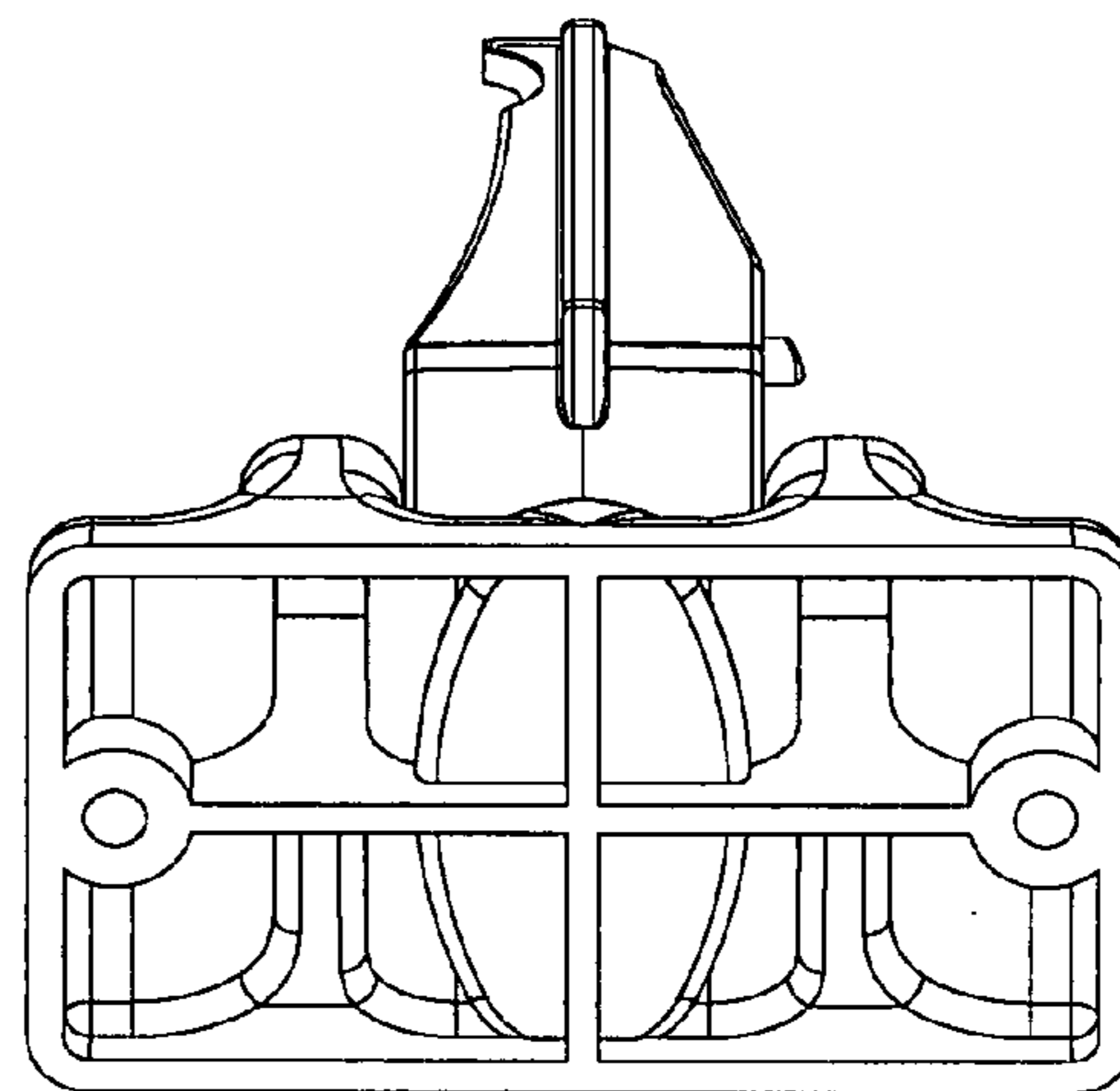
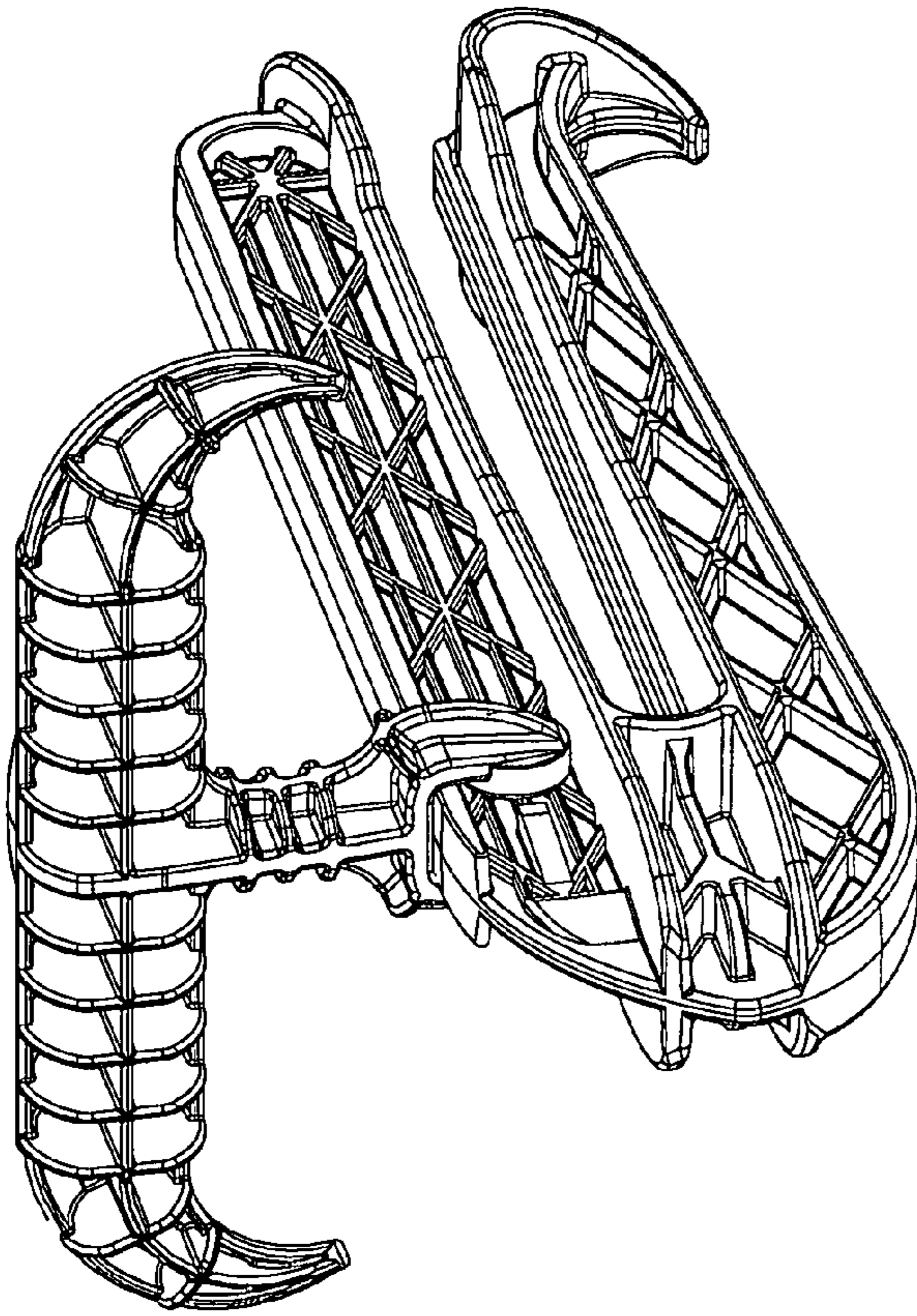


FIG. 4



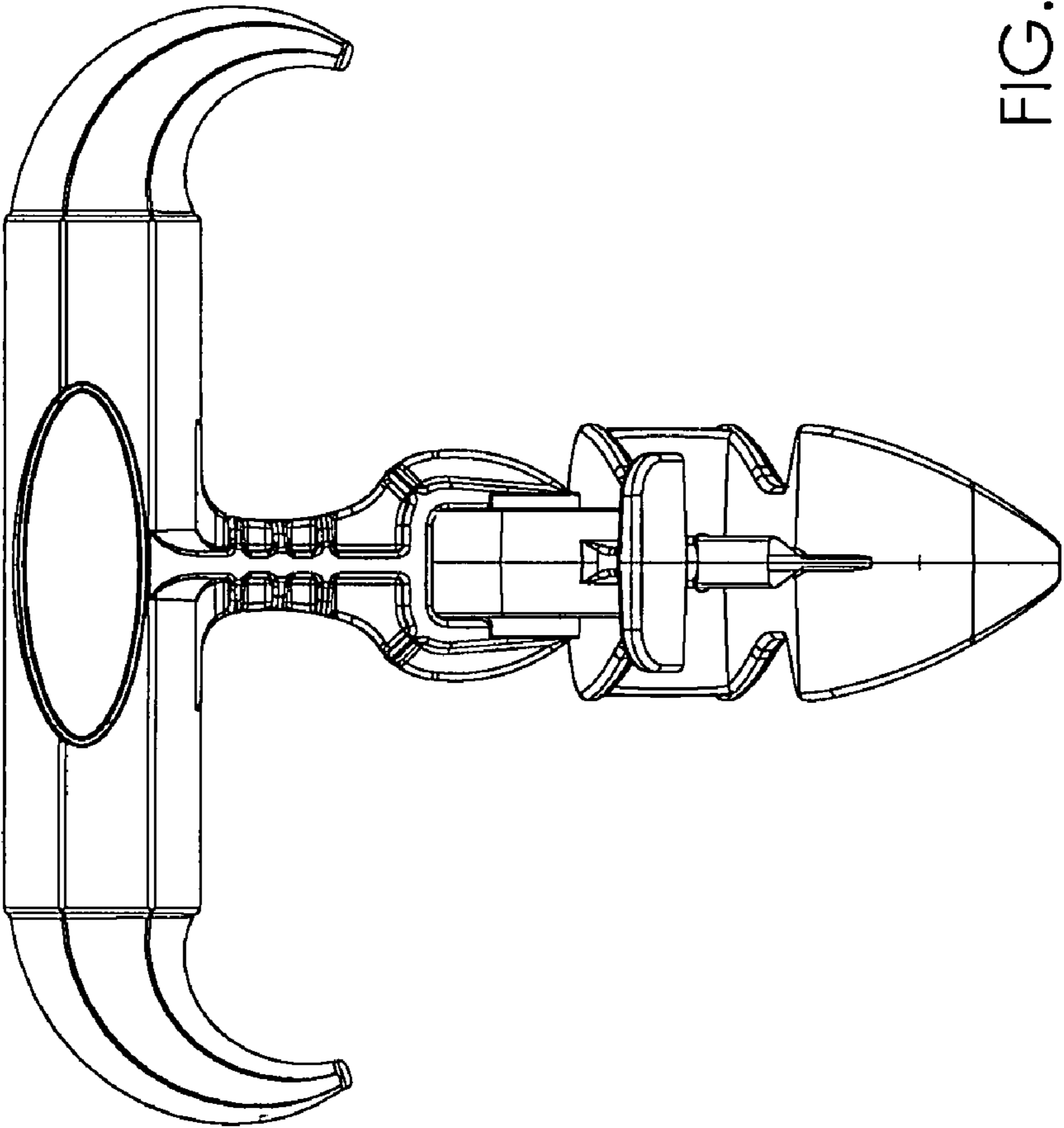


FIG.5

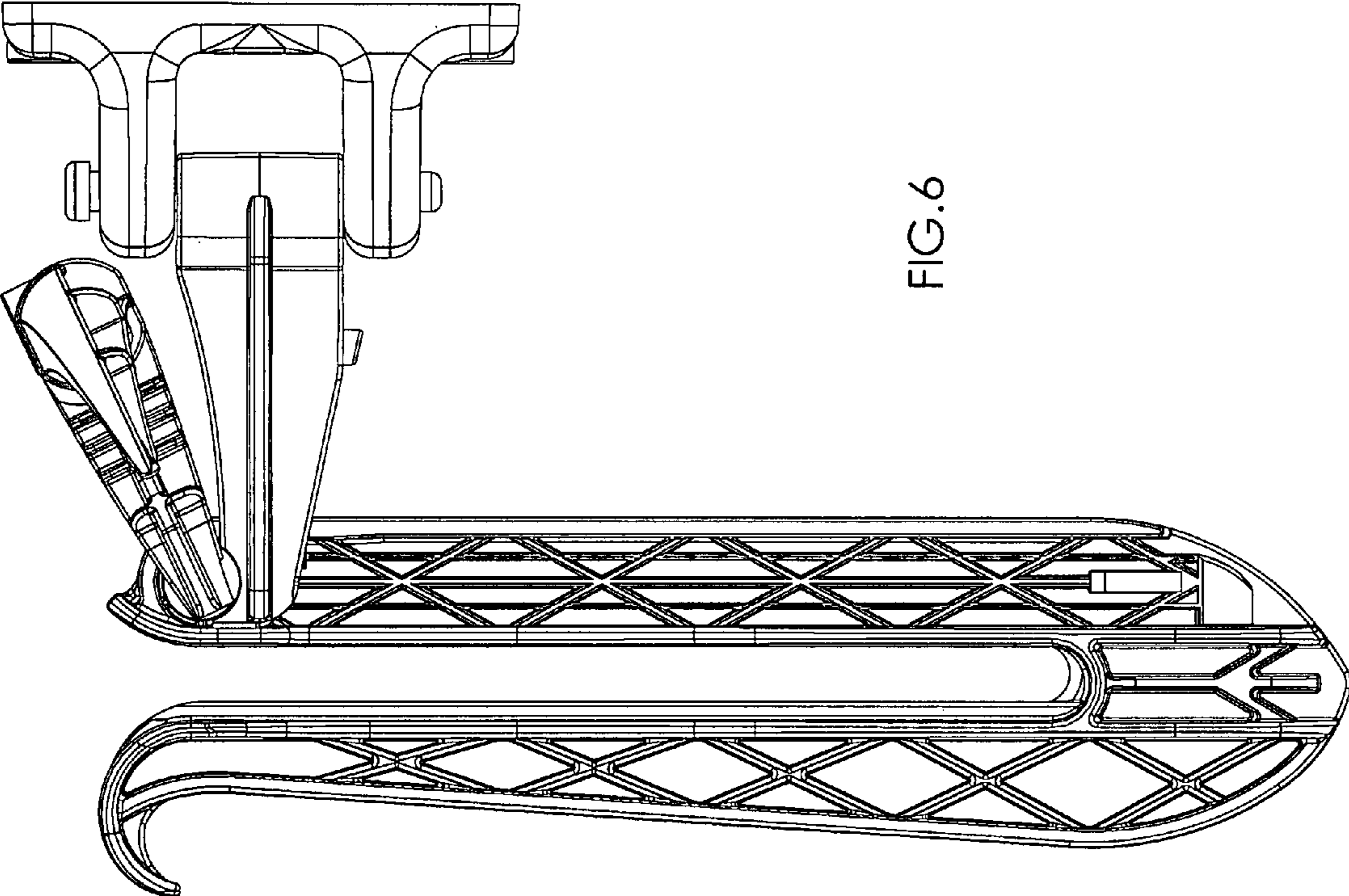


FIG. 6

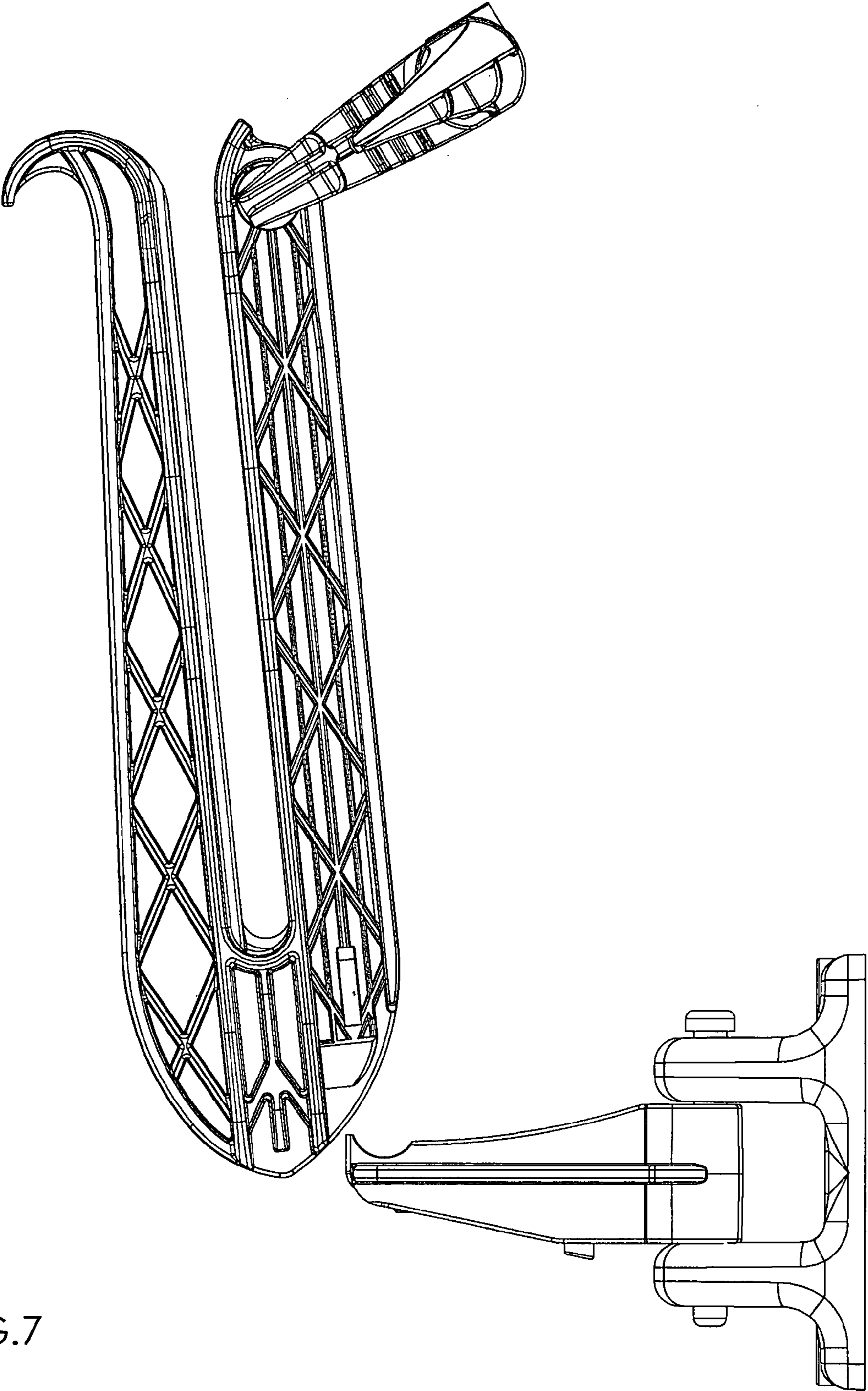


FIG. 7