



US00D552972S

(12) **United States Design Patent**  
**Peng**

(10) **Patent No.:** **US D552,972 S**

(45) **Date of Patent:** **\*\* Oct. 16, 2007**

(54) **WRAPPING DEVICE**

(75) Inventor: **Robin Peng**, Sandy, UT (US)

(73) Assignee: **Design Engine**, Sandy, UT (US)

(\*\*) Term: **14 Years**

(21) Appl. No.: **29/248,467**

(22) Filed: **Aug. 17, 2006**

(51) **LOC (8) Cl.** ..... **08-05**

(52) **U.S. Cl.** ..... **D8/356**

(58) **Field of Classification Search** ..... D8/383,  
D8/382, 356, 354, 349, 105, 395, 394, 358;  
242/916, 600, 405.2, 405.1, 400.1, 177, 160.3,  
242/159, 118; 439/501; 24/561; 248/214,  
248/229.26, 316.7

See application file for complete search history.

(56) **References Cited**

**U.S. PATENT DOCUMENTS**

D215,952 S *	11/1969	Michaels	.....	D8/356
D280,230 S *	8/1985	Matsui	.....	D8/358
5,873,540 A *	2/1999	Hardin	.....	242/405.1
D427,034 S *	6/2000	Cyrell	.....	D8/356
D436,518 S *	1/2001	Matsubara	.....	D8/356
D456,692 S *	5/2002	Epstein	.....	D8/356
2006/0186256 A1 *	8/2006	Mogensen et al.	.....	242/405.1

\* cited by examiner

*Primary Examiner*—Robert M. Spear

*Assistant Examiner*—Susan Bennett Hattan

(74) *Attorney, Agent, or Firm*—Trent H. Baker; Baker & Associates PLLC

(57) **CLAIM**

The ornamental design for a wrapping device, as shown and described.

**DESCRIPTION**

FIG. 1 is a top/bottom view of a first embodiment of the wrapping device showing the design;

FIG. 2 is a right side view of the first embodiment of the wrapping device showing the design;

FIG. 3 is a front view of the first embodiment of the wrapping device showing the design;

FIG. 4 is a left side view of the first embodiment of the wrapping device showing the design;

FIG. 5 is a rear view of the first embodiment of the wrapping device showing the design;

FIG. 6 is a perspective view of the first embodiment of the wrapping device showing the design and an unclaimed elongated object being wrapped around the device;

FIG. 7 is a top/bottom view of a second embodiment of the wrapping device showing the design;

FIG. 8 is a right side view of the second embodiment of the wrapping device showing the design;

FIG. 9 is a front view of the second embodiment of the wrapping device showing the design;

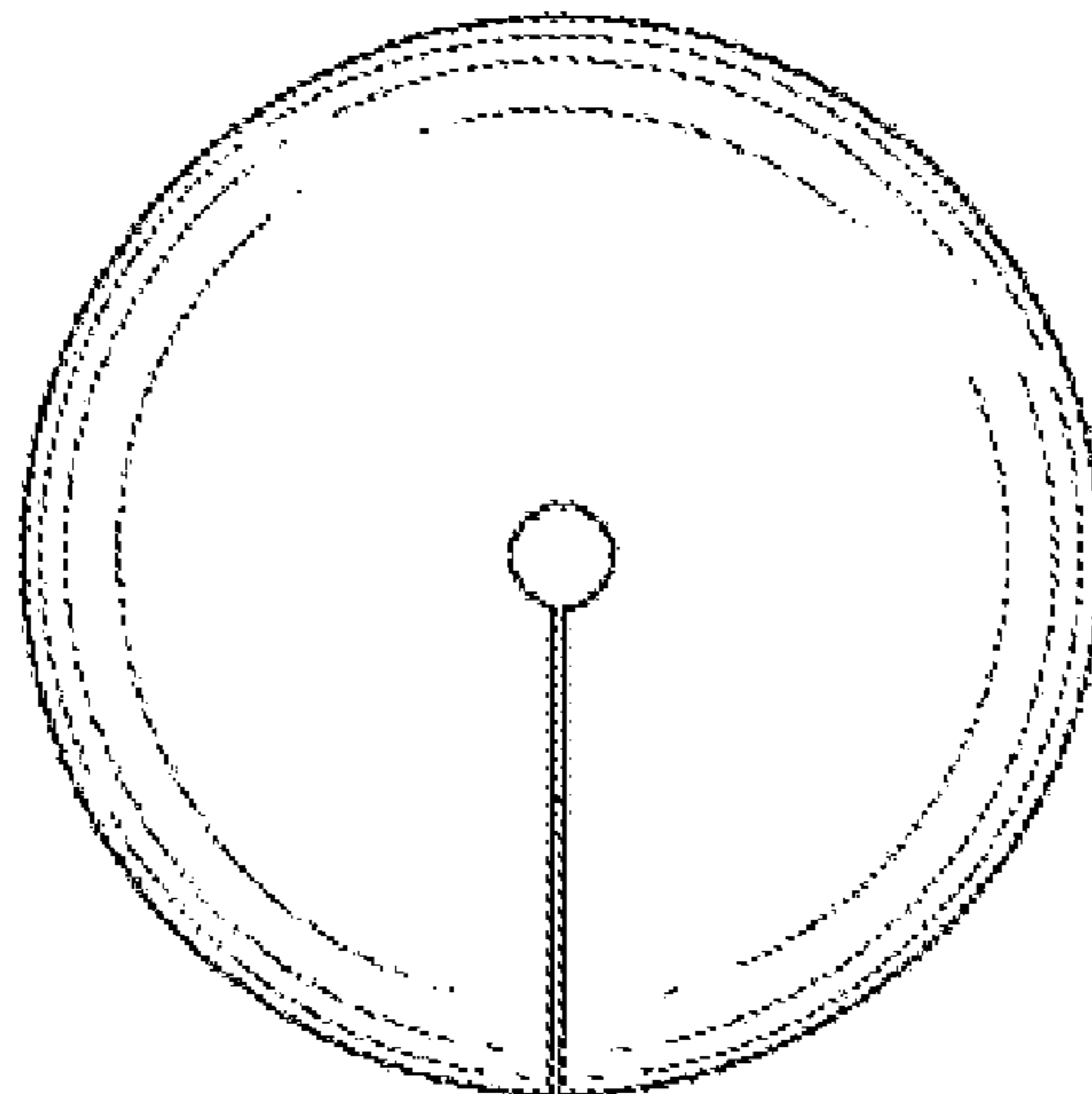
FIG. 10 is a left side view of the second embodiment of the wrapping device showing the design;

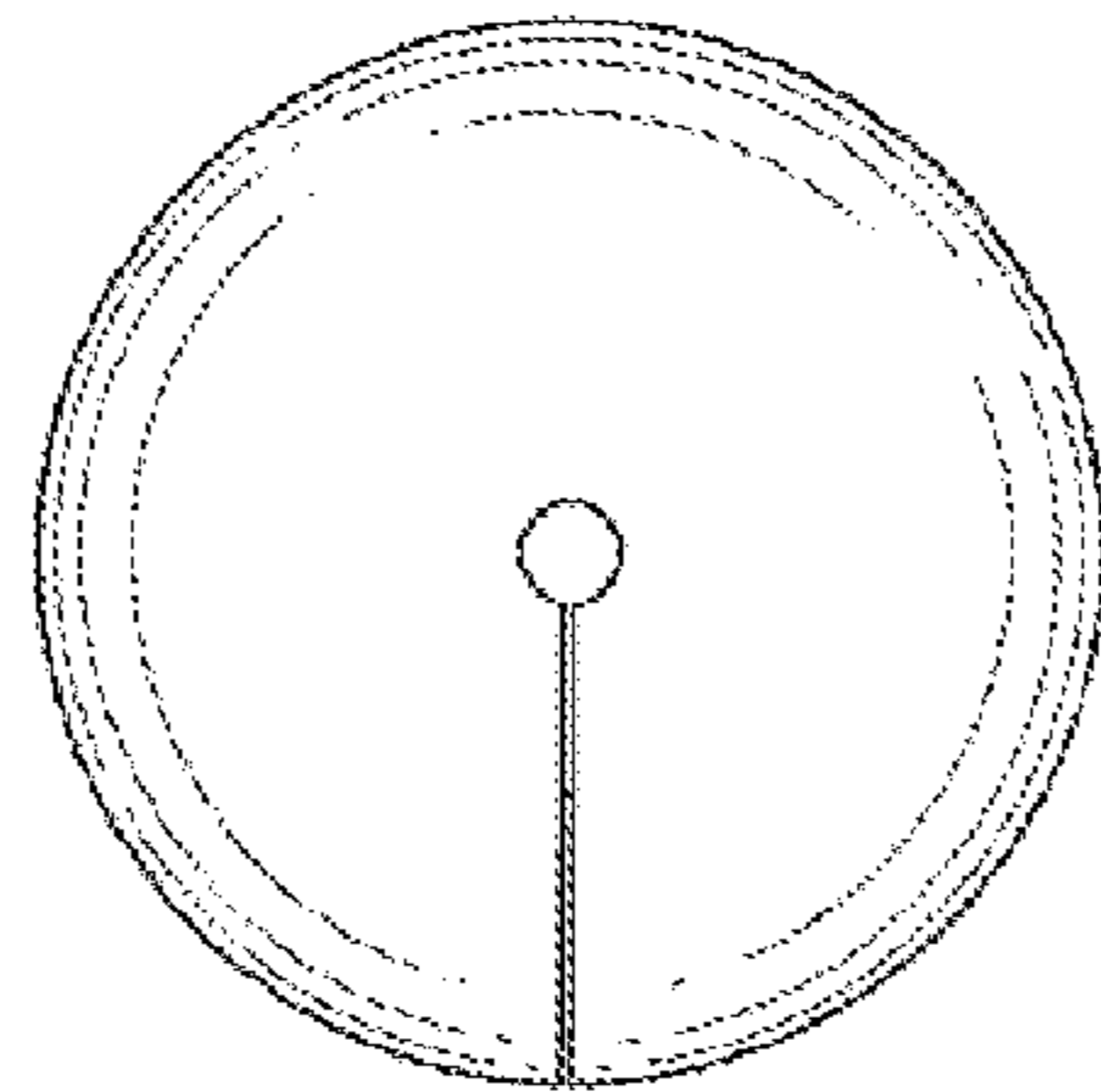
FIG. 11 is a rear view of the second embodiment of the wrapping device showing the design; and,

FIG. 12 is a perspective view of a second embodiment of the wrapping device showing the design and an unclaimed elongated object being wrapped around the device.

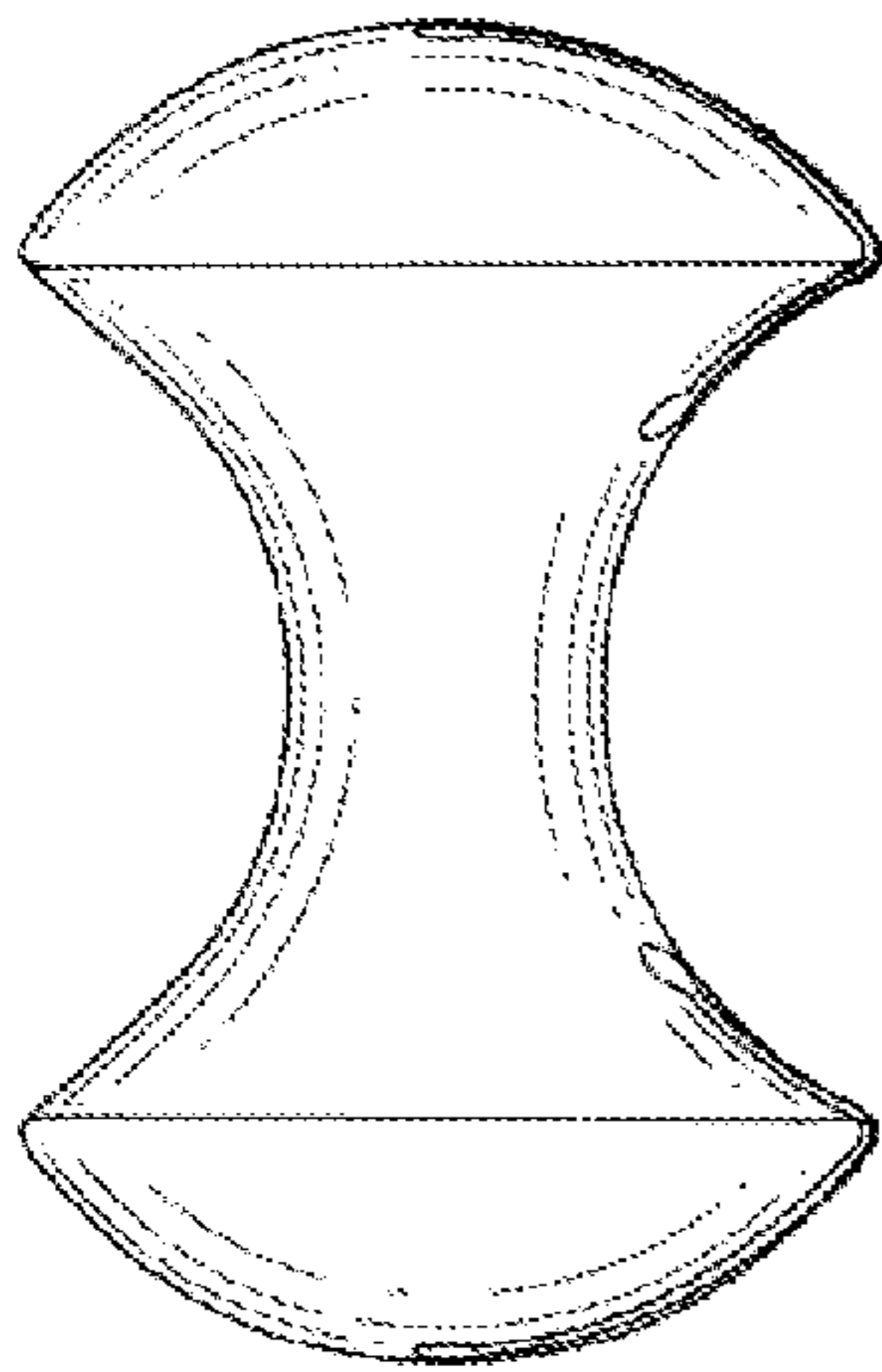
The broken lines in the drawings are for illustrative purposes only and form no part of the claimed design.

**1 Claim, 2 Drawing Sheets**

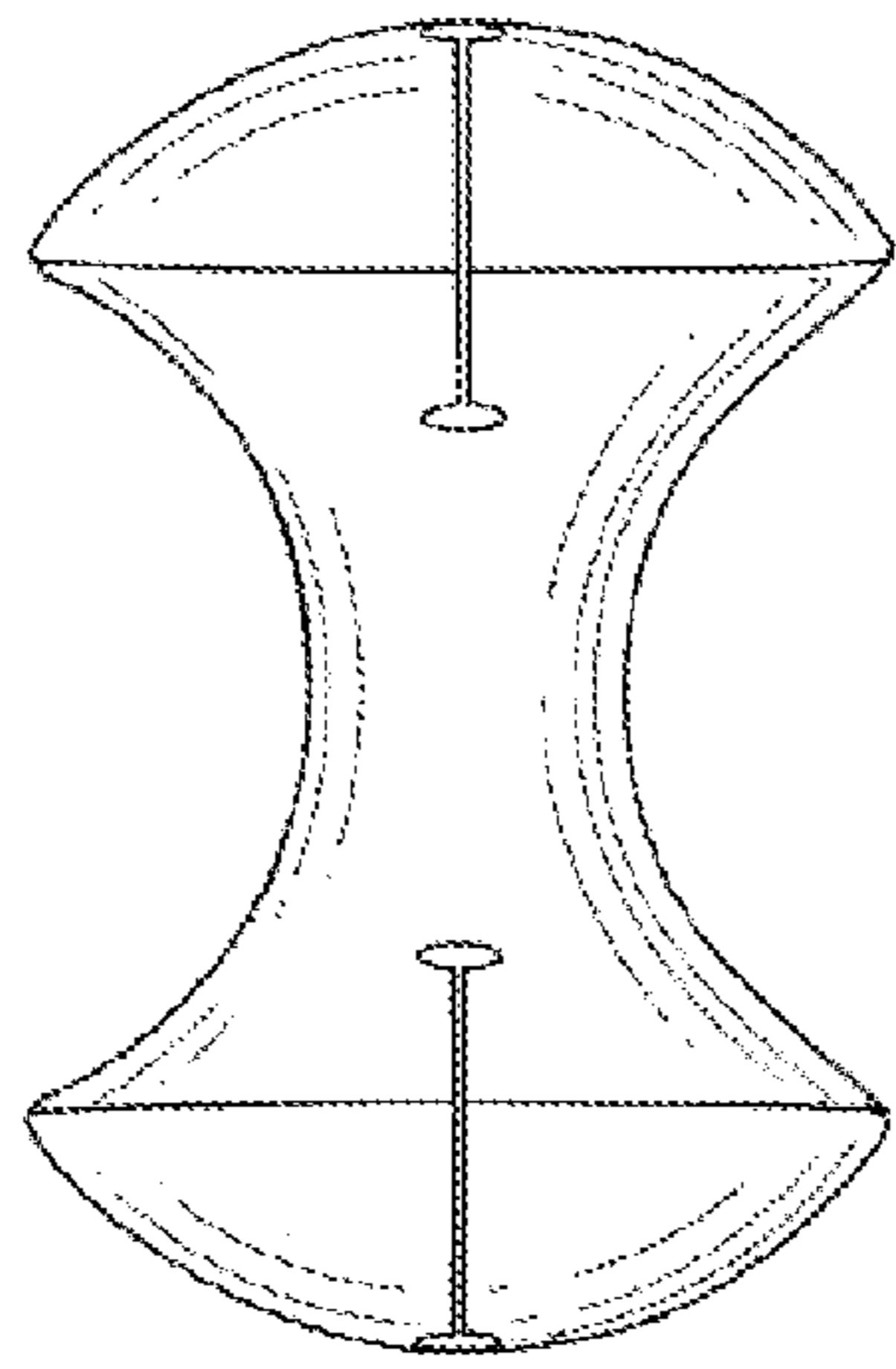




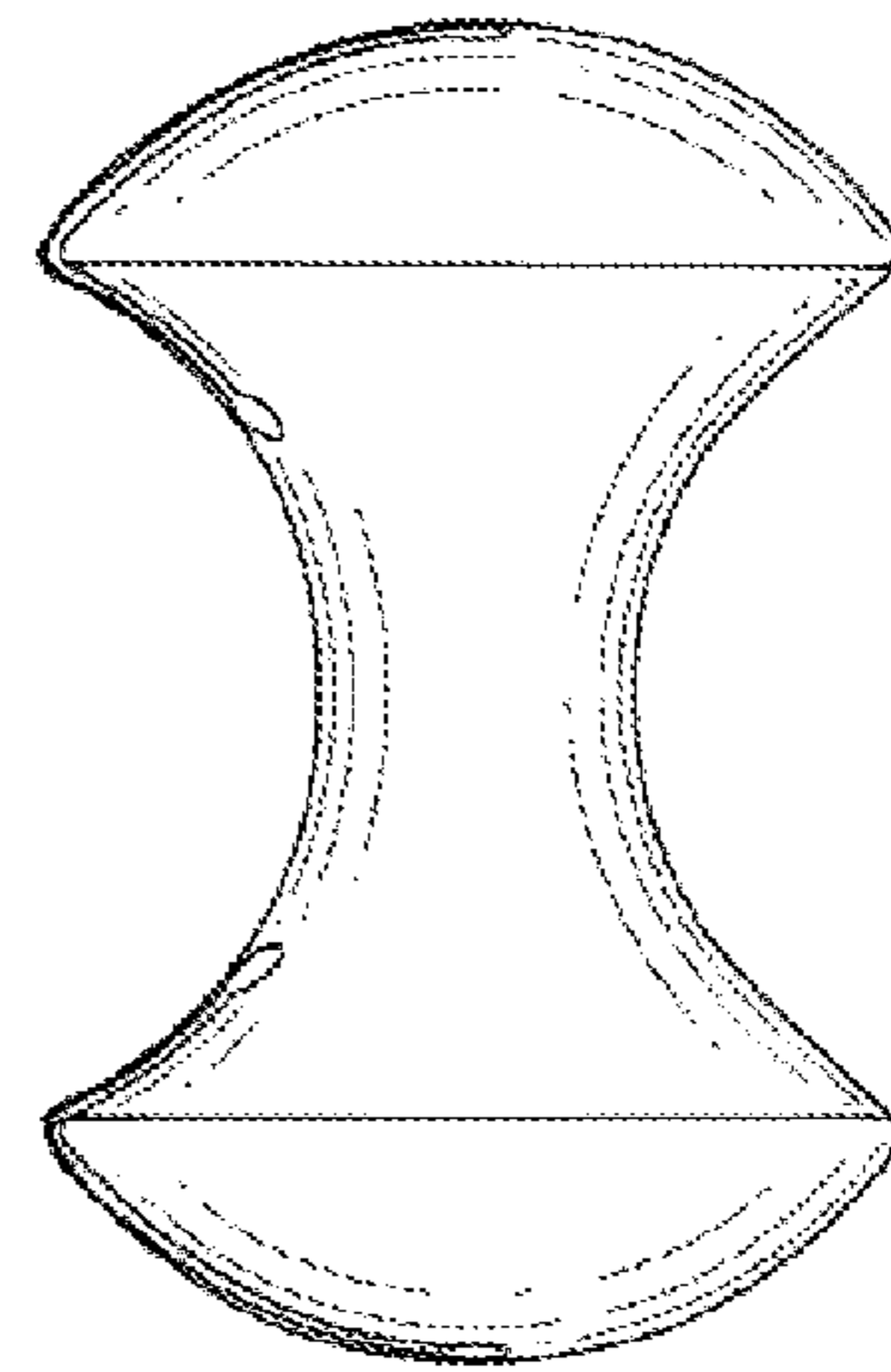
**Fig. 1**



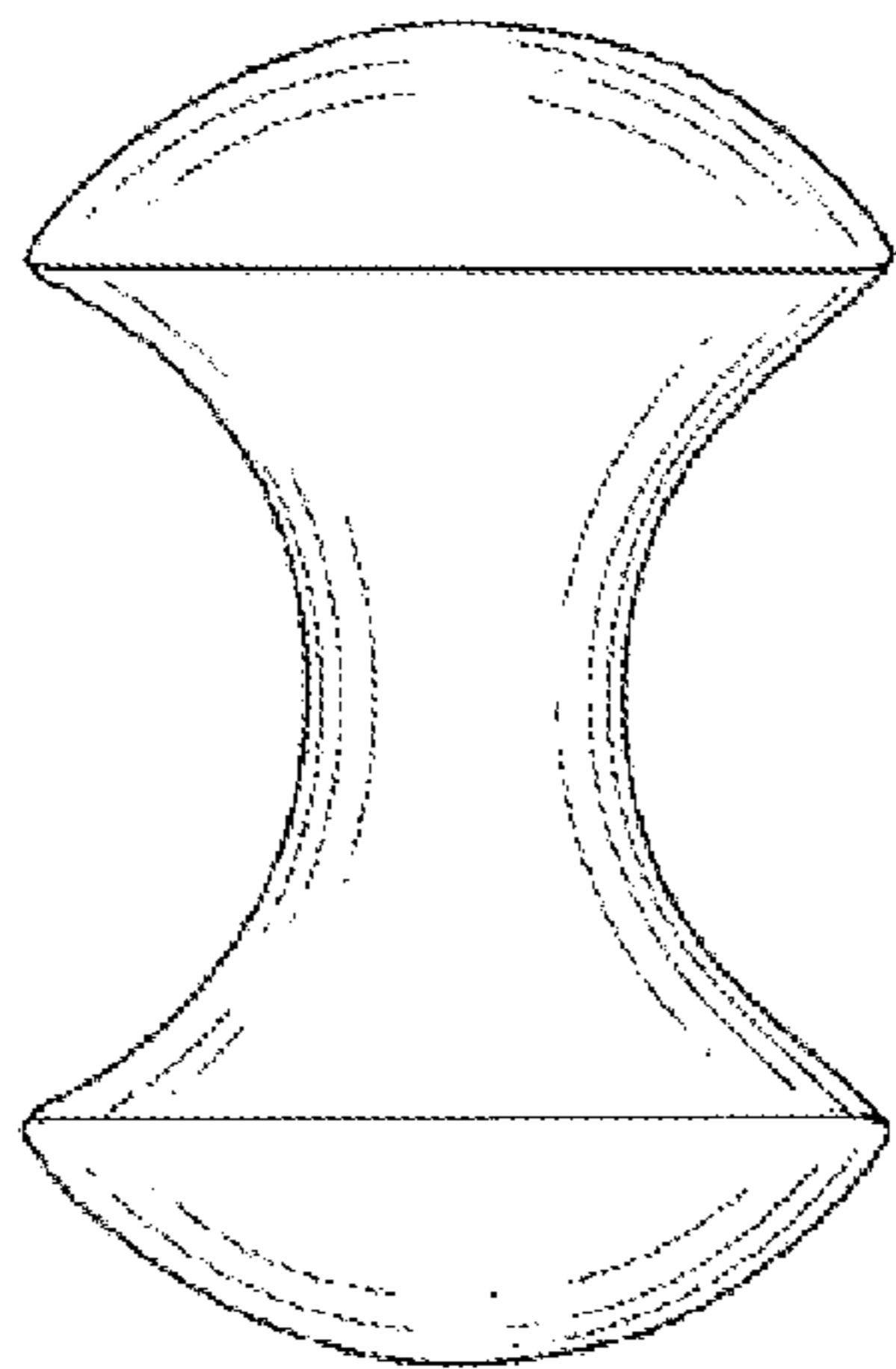
**Fig. 2**



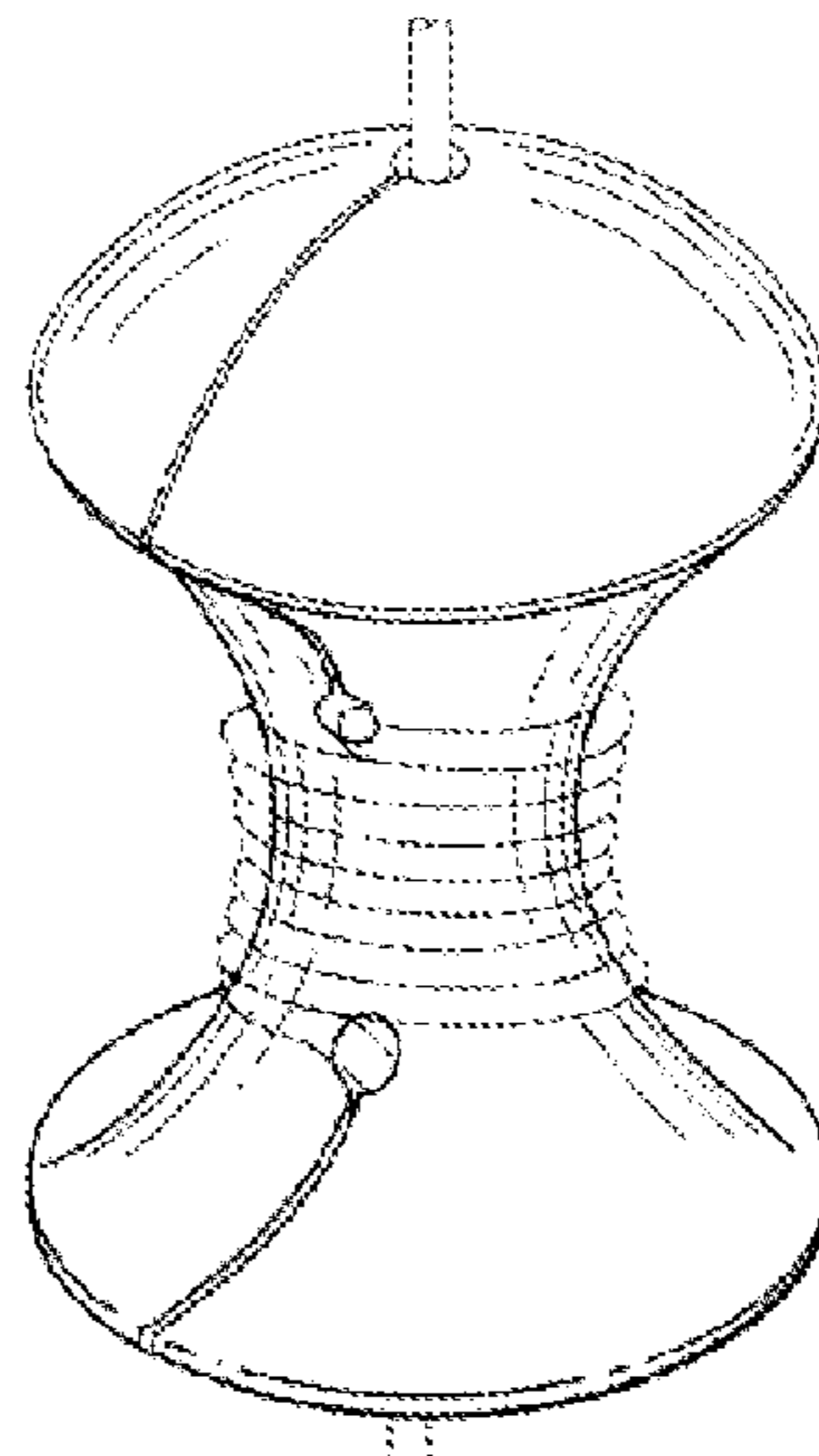
**Fig. 3**



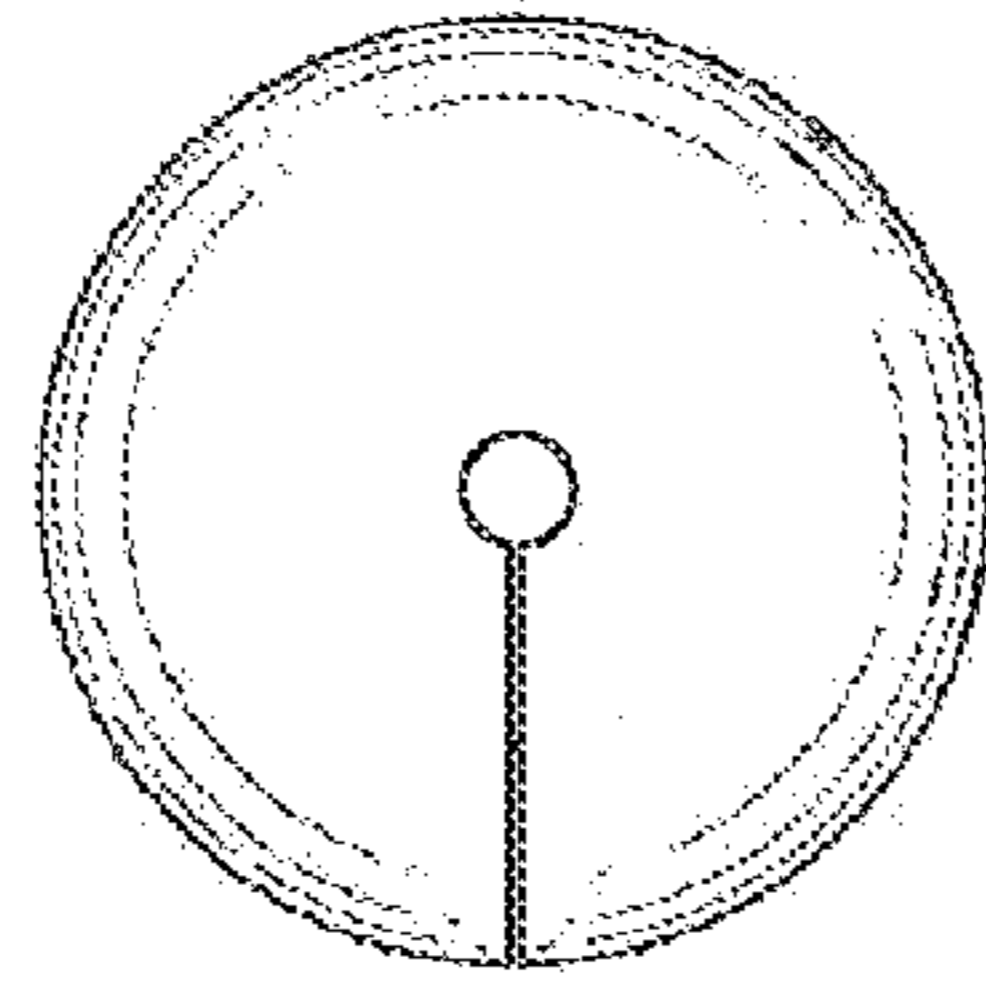
**Fig. 4**



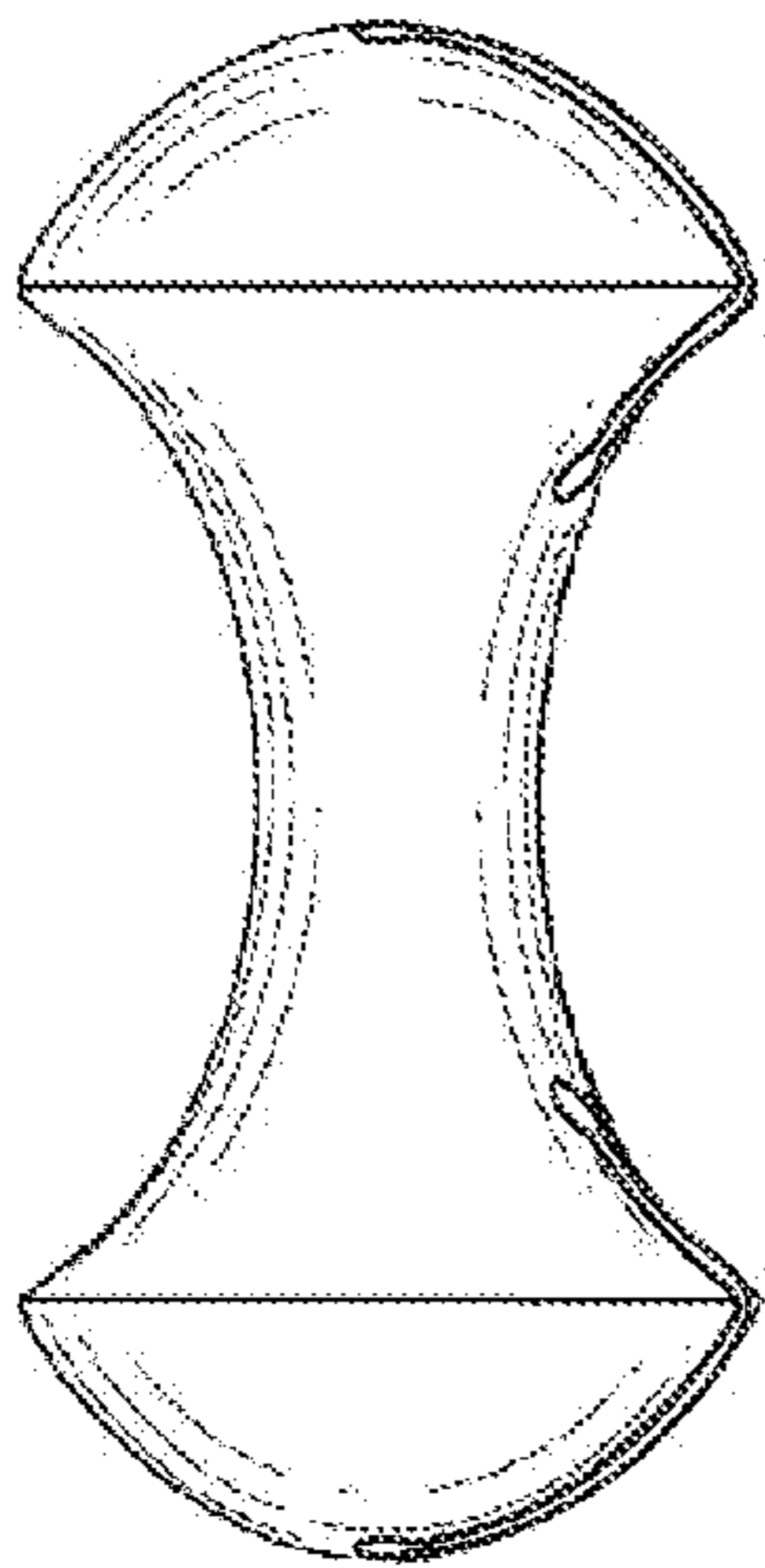
**Fig. 5**



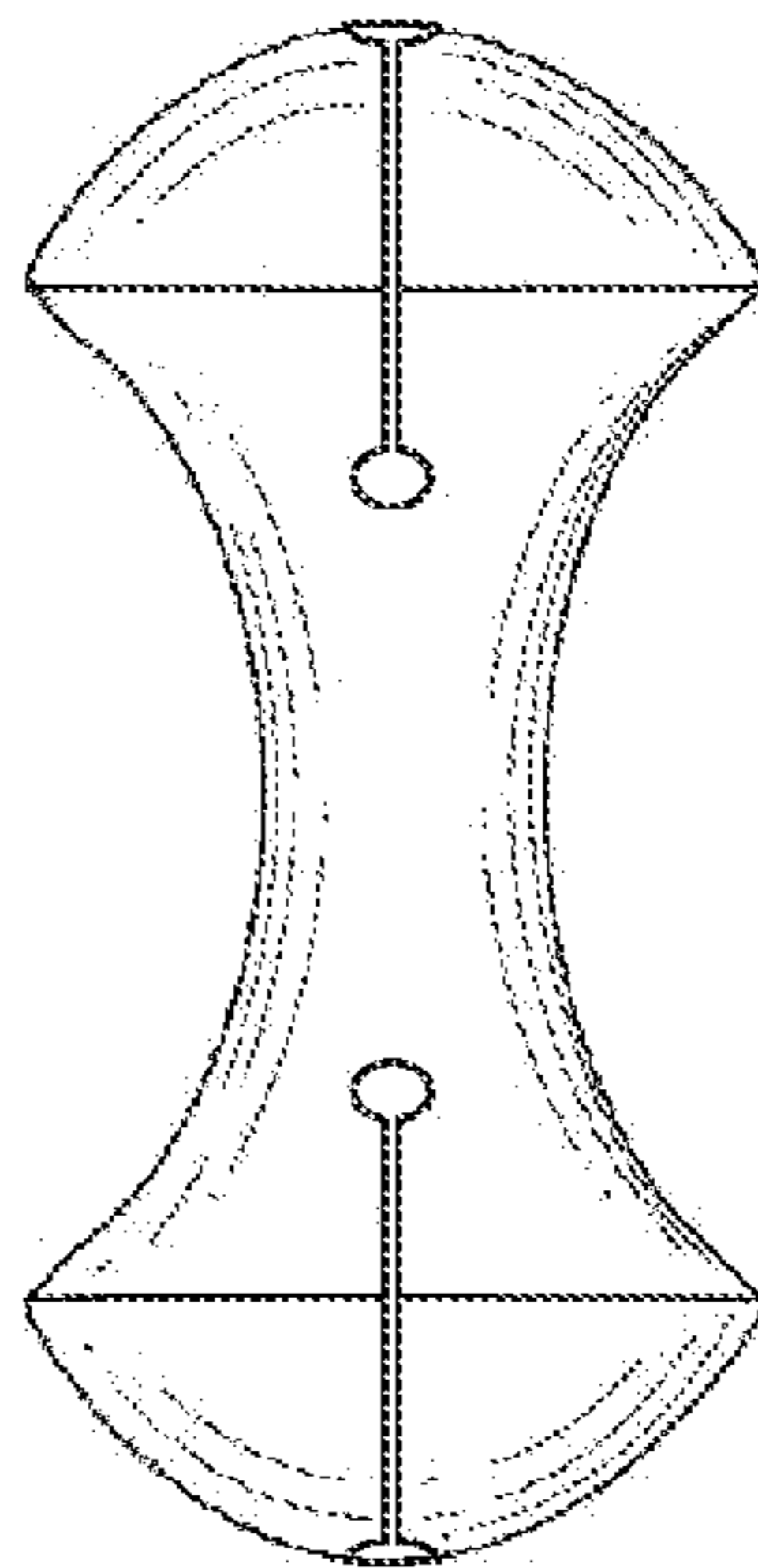
**Fig. 6**



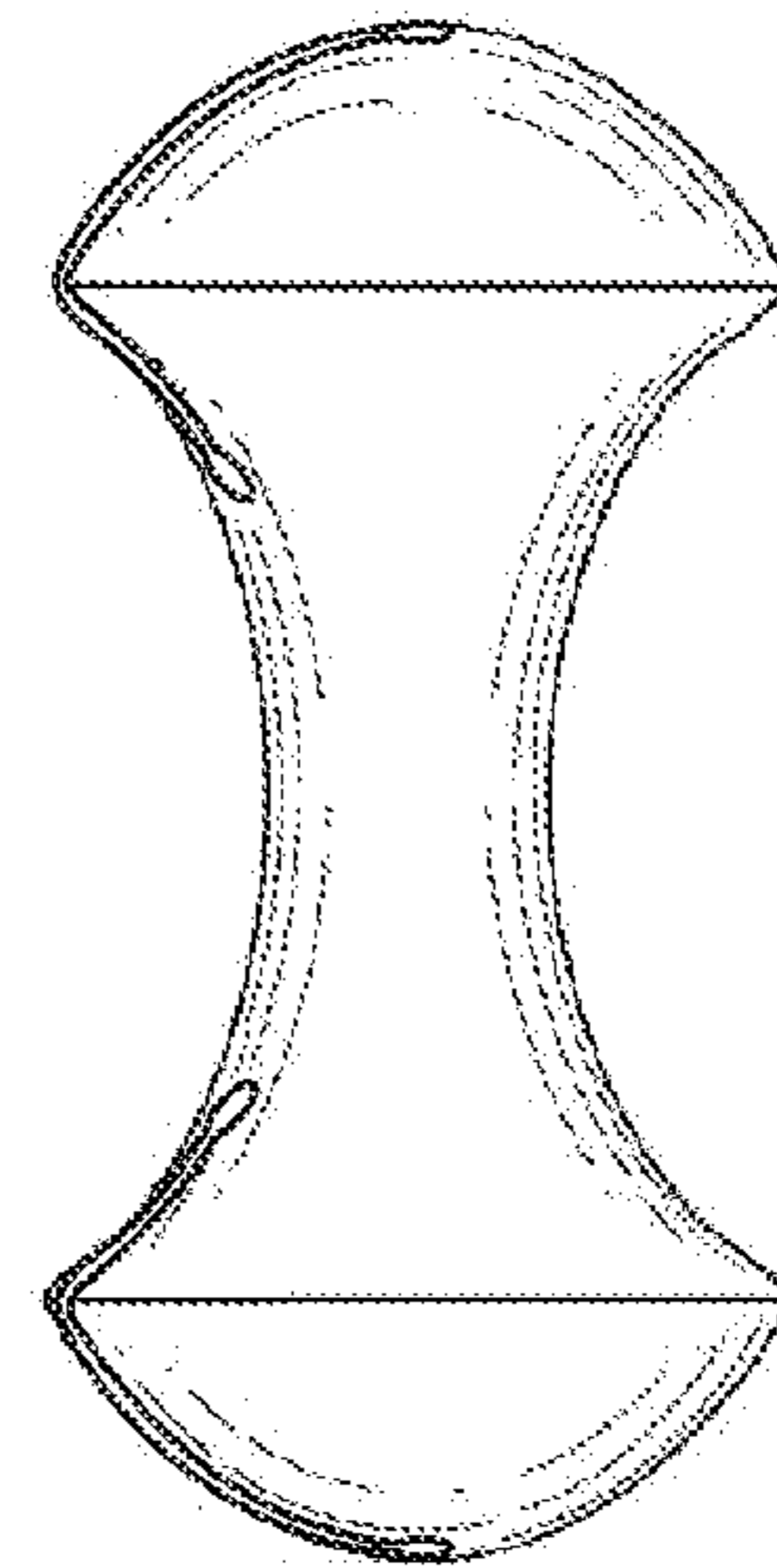
*Fig. 7*



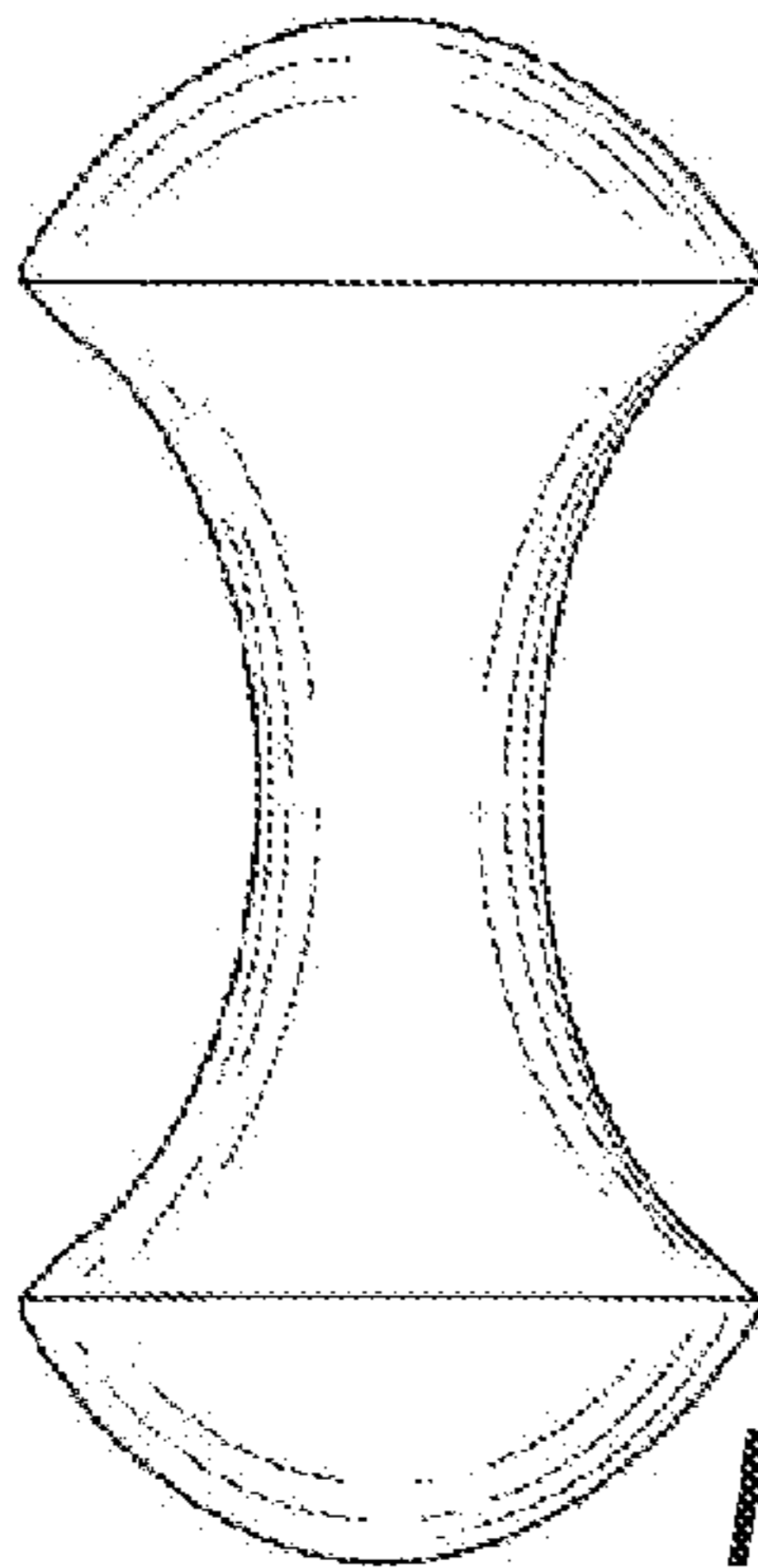
*Fig. 8*



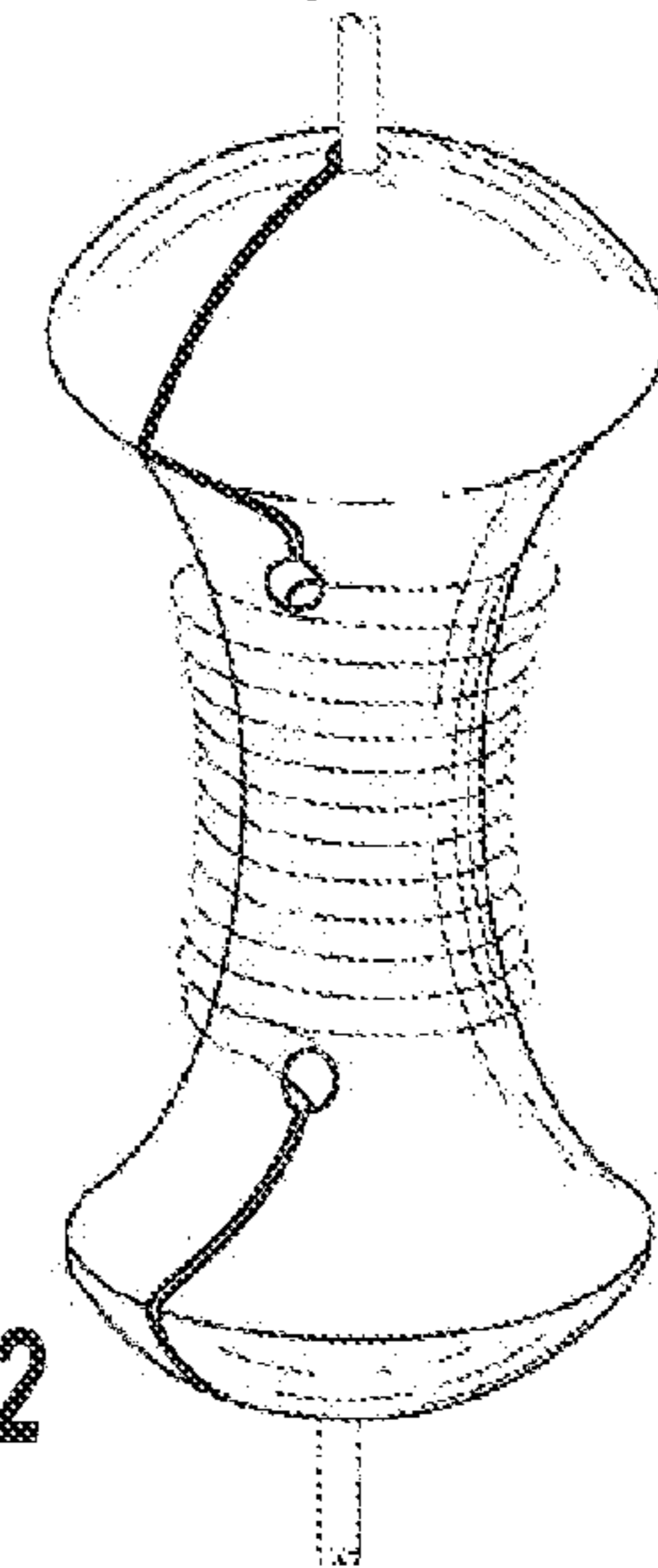
*Fig. 9*



*Fig. 10*



*Fig. 11*



*Fig. 12*