

US00D552969S

(12) **United States Design Patent**
Bobrowski et al.

(10) **Patent No.:** **US D552,969 S**

(45) **Date of Patent:** **** Oct. 16, 2007**

(54) **BAR HANGER**

(75) Inventors: **Christopher T. Bobrowski**, Wheeling, IL (US); **Aaron O'Brien**, Munster, IN (US)

(73) Assignee: **Juno Manufacturing, Inc.**, Des Plaines, IL (US)

(**) Term: **14 Years**

(21) Appl. No.: **29/236,296**

(22) Filed: **Aug. 15, 2005**

(51) **LOC (8) Cl.** **08-05**

(52) **U.S. Cl.** **D8/354**

(58) **Field of Classification Search** D8/366, D8/354; 248/300, 48.1, 27.1, 200
See application file for complete search history.

(56) **References Cited**

U.S. PATENT DOCUMENTS

2,831,222	A *	4/1958	Anderson	52/489.1
D257,664	S *	12/1980	McKee	D8/354
D363,875	S *	11/1995	Korb	D8/373
6,315,489	B1 *	11/2001	Watanabe	403/381
6,766,992	B1 *	7/2004	Parker	248/300

* cited by examiner

Primary Examiner—Holly H. Baynham

(74) *Attorney, Agent, or Firm*—Sonnenschein Nath & Rosenthal LLP

(57) **CLAIM**

The ornamental design for a bar hanger, as shown and described.

DESCRIPTION

FIG. 1 is a front view of a bar hanger showing the new design;

FIG. 2 is an back view of the bar hanger as shown in FIG. 1;

FIG. 3—is an right side front perspective view of the bar hanger as shown in FIG. 1;

FIG. 4—is a left side view of the bar hanger as shown in FIG. 1;

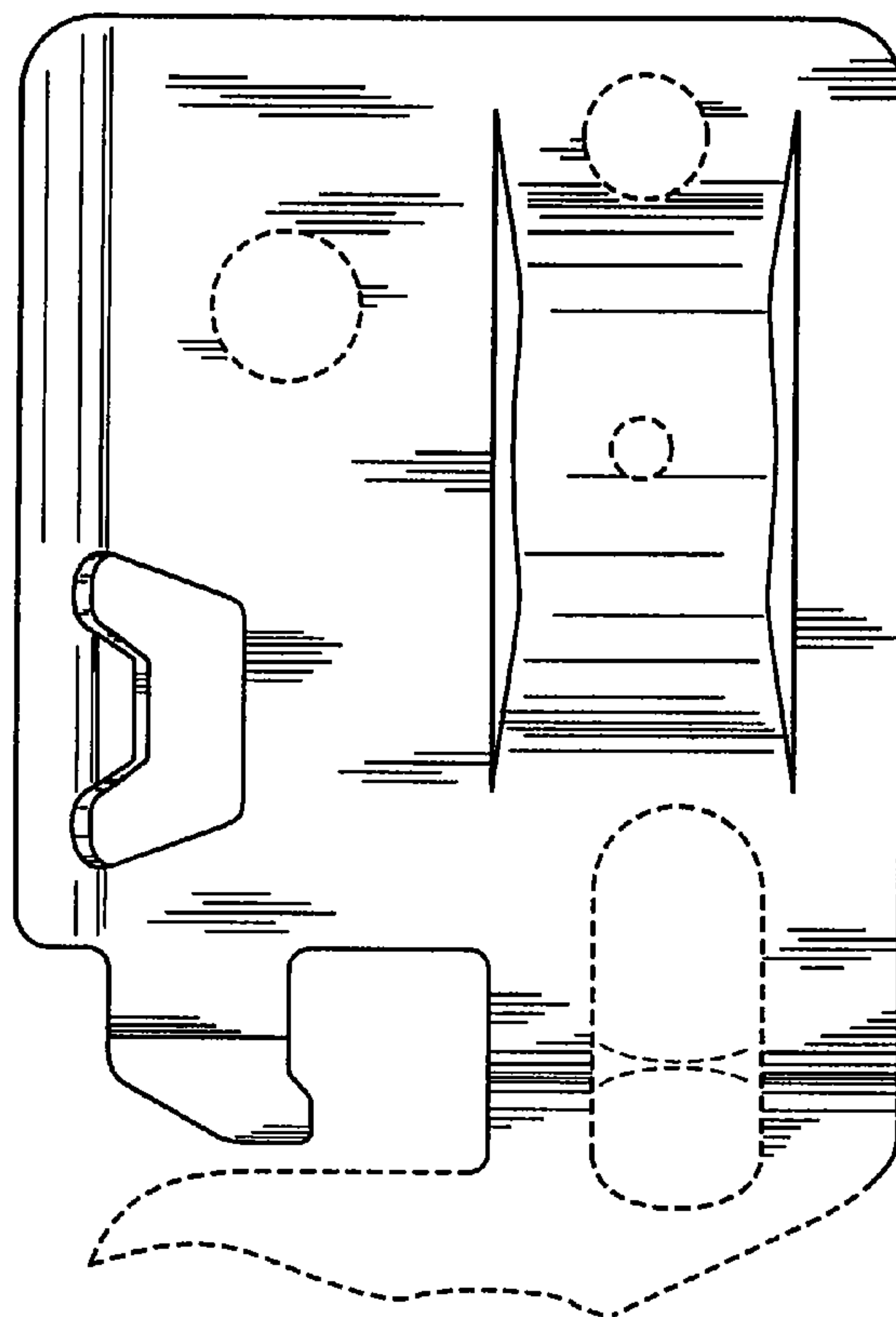
FIG. 5—is a top view of the bar hanger as shown in FIG. 1; and,

FIG. 6—is a bottom view of the bar hanger as shown in FIG. 1.

Features shown in dashed lines immediately adjacent the shaded areas or adjacent the solid lines represent the bounds of the claim and all other dashed lines are for illustrative purposes only.

None of the dashed lines form a part of the claimed design.

1 Claim, 3 Drawing Sheets



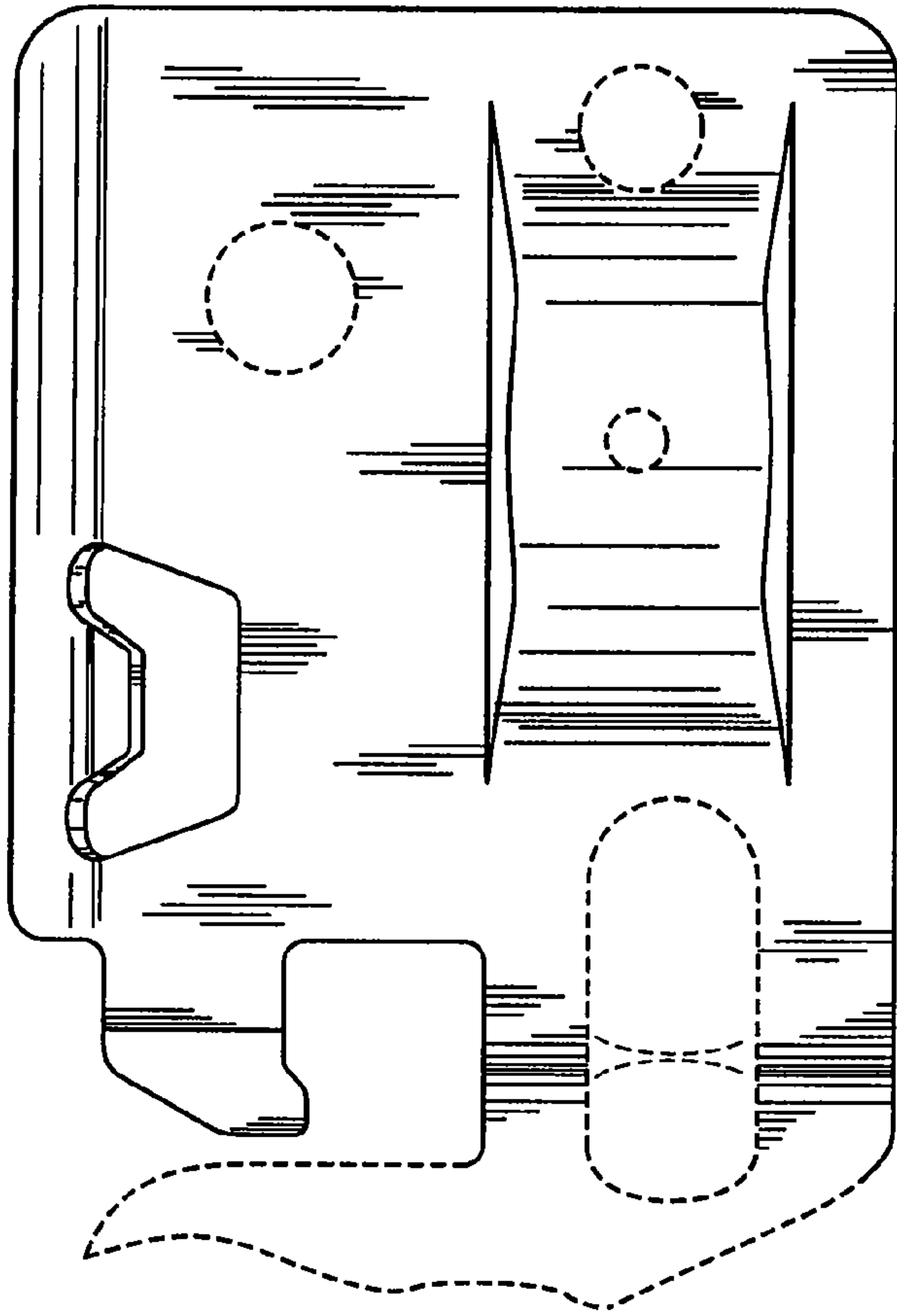


Fig. 1

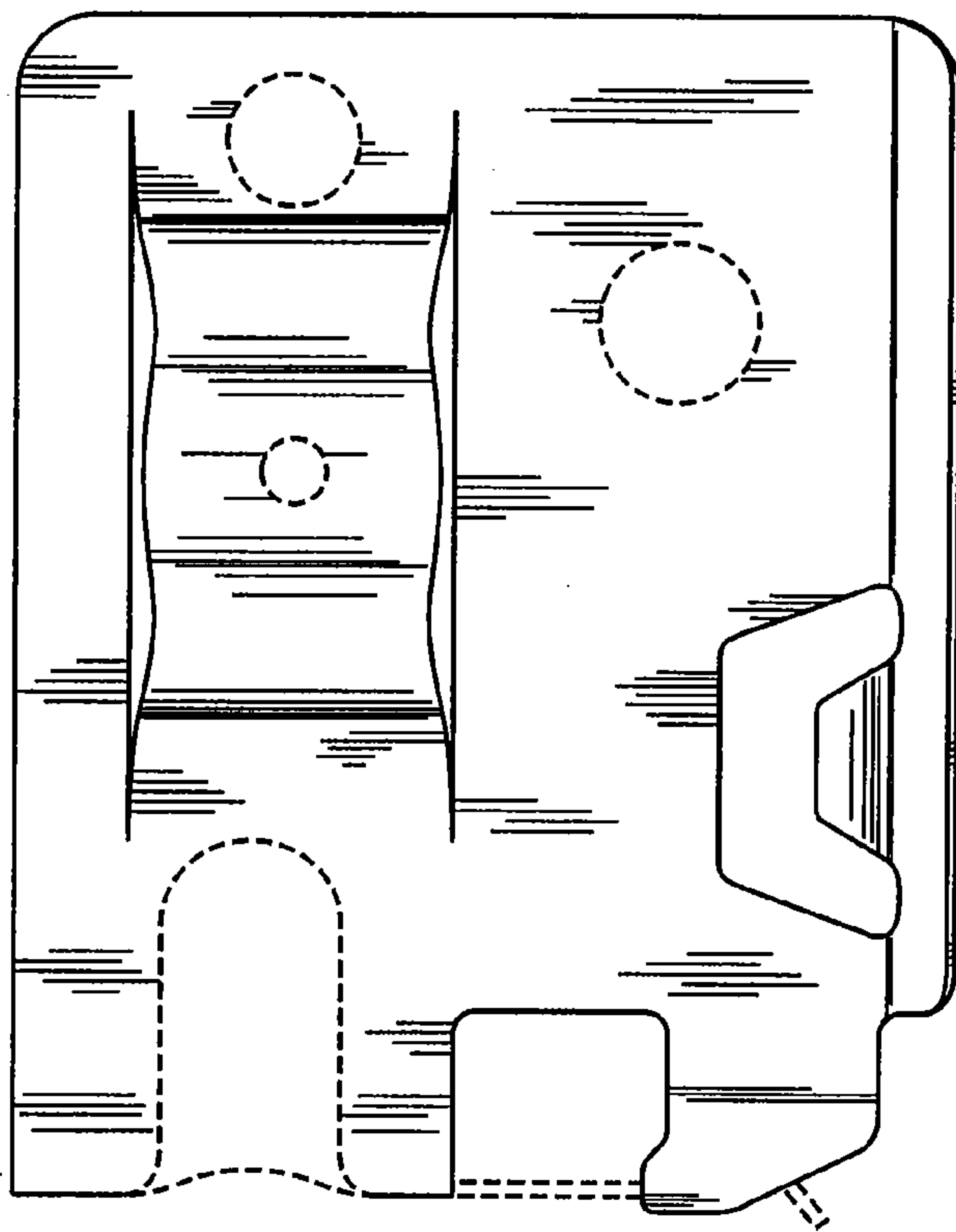


Fig. 2

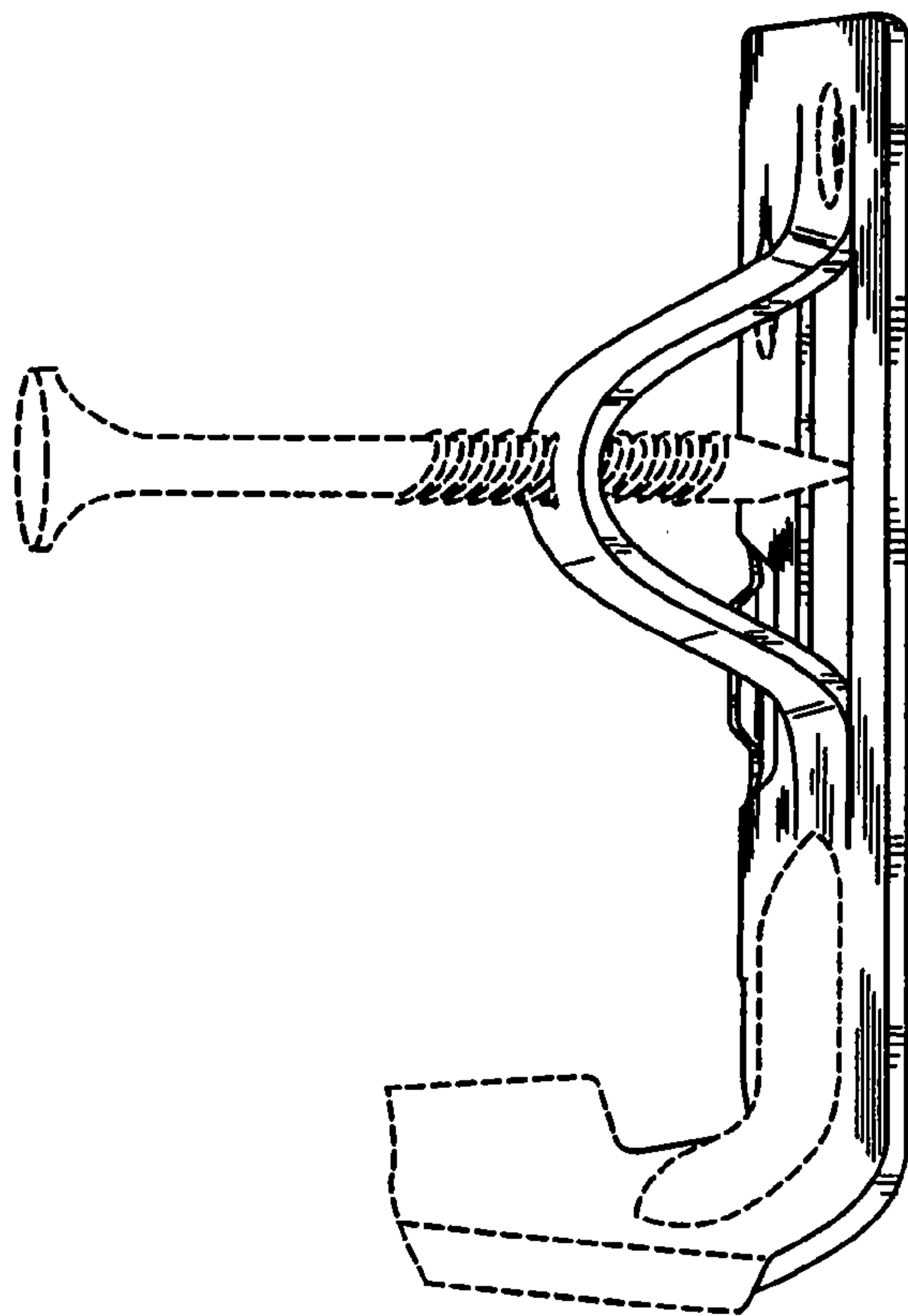


Fig. 3

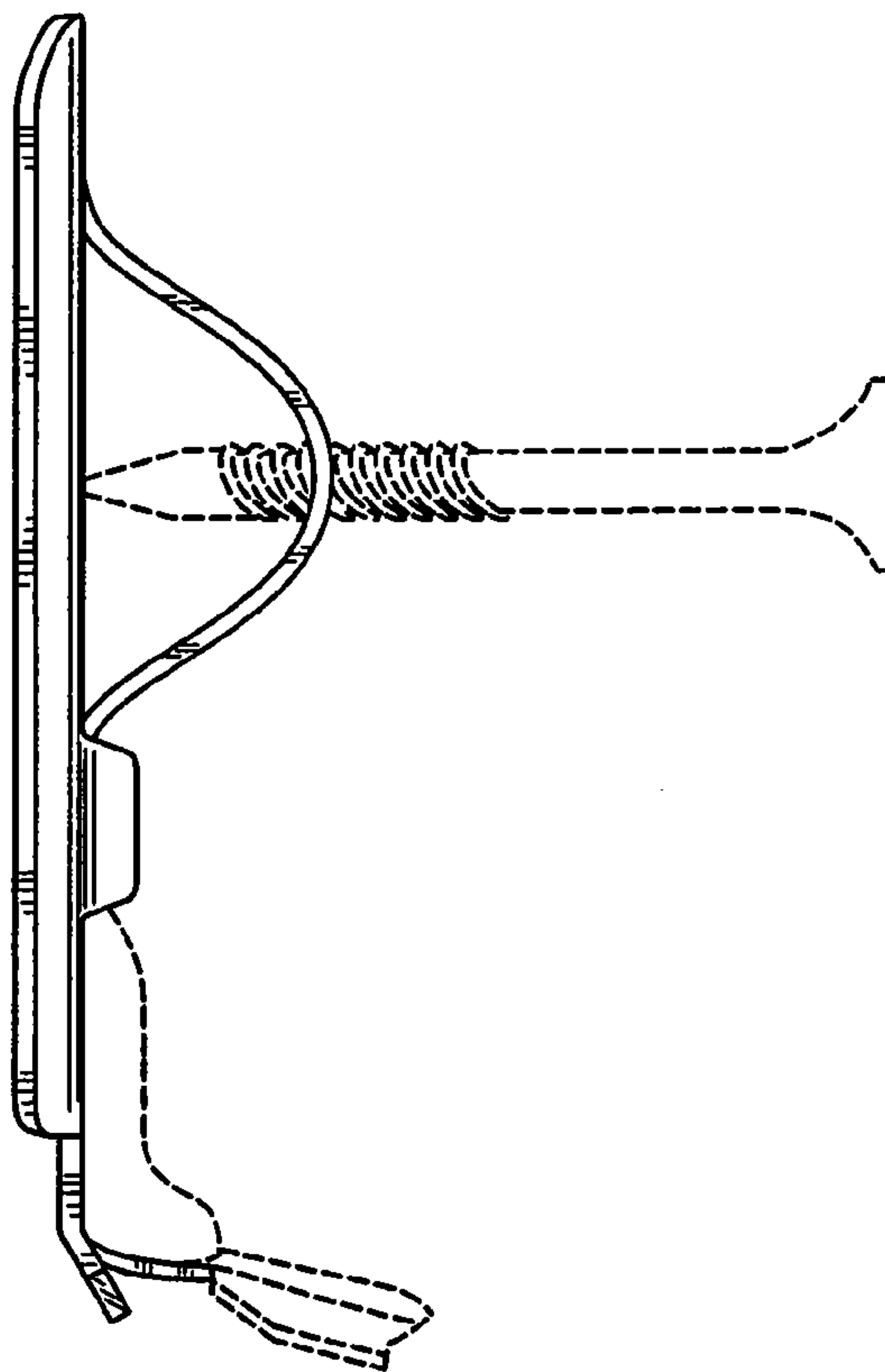


Fig. 4

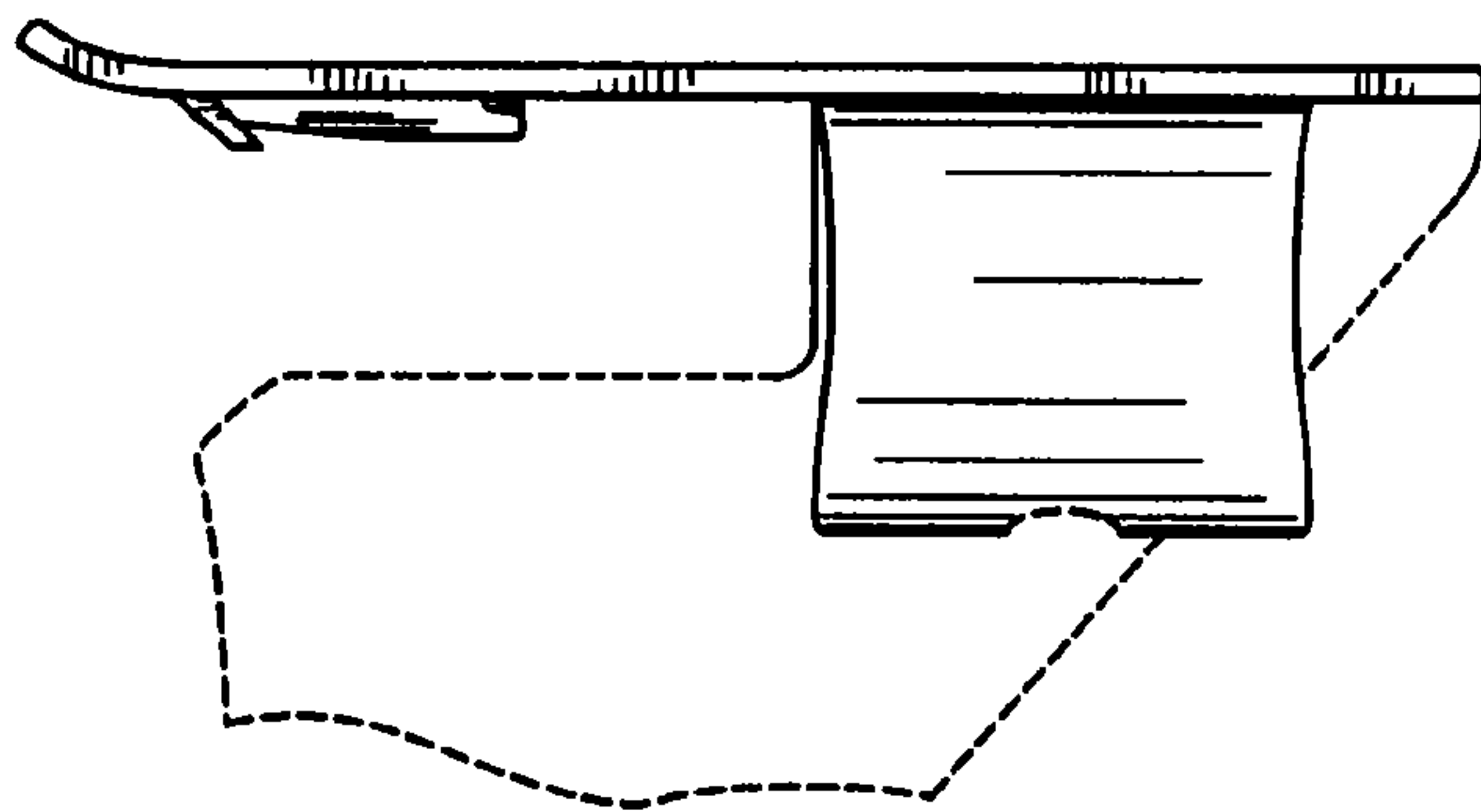


Fig. 5

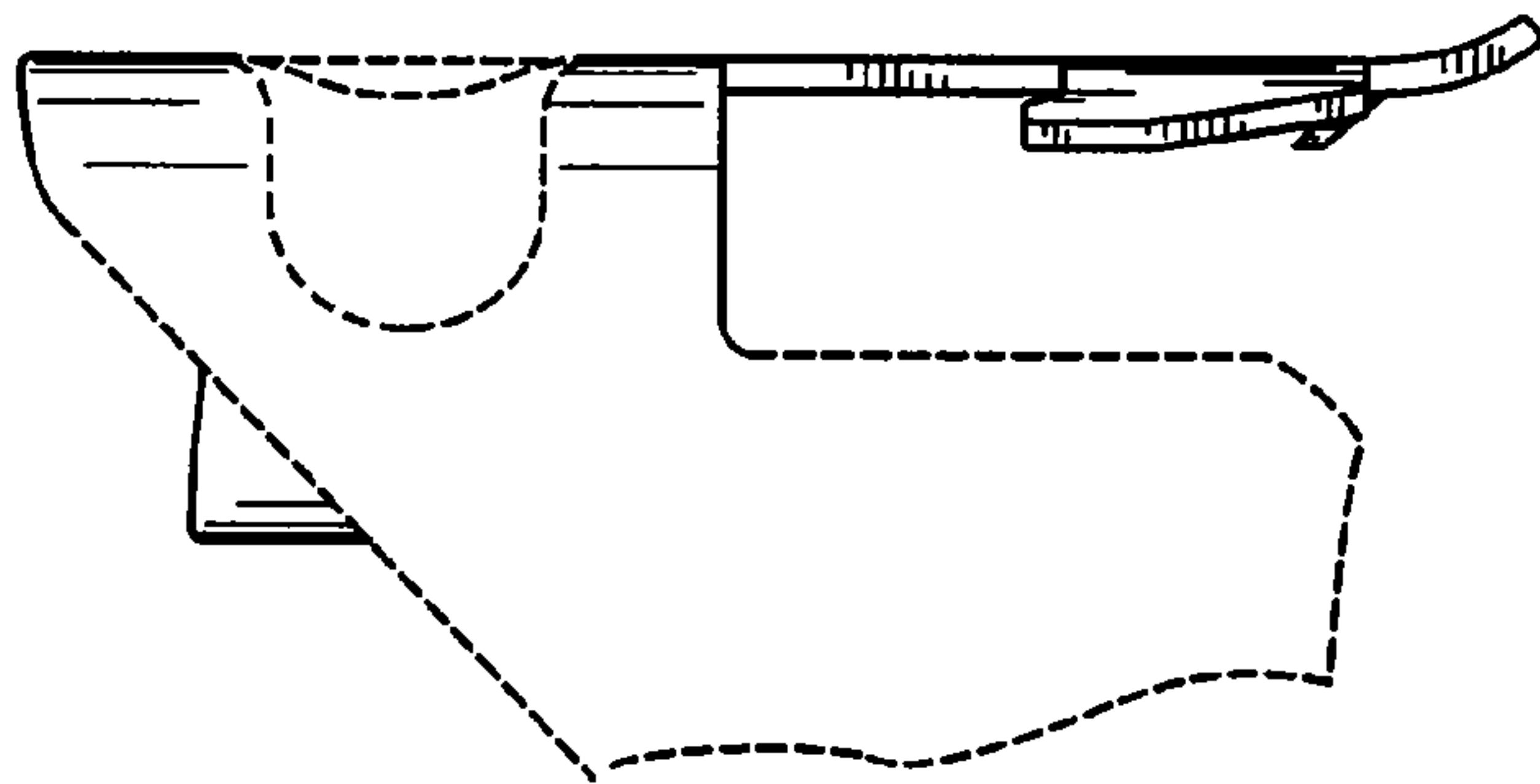


Fig. 6