



US00D552966S

(12) **United States Design Patent** (10) **Patent No.:** **US D552,966 S**
Roberts et al. (45) **Date of Patent:** **** Oct. 16, 2007**

(54) LOCK ESCUTCHEON	D362,173 S	9/1995	Skitromo
	5,475,996 A	12/1995	Chen
(75) Inventors: Rockwood Theodore Roberts,	D365,976 S	1/1996	Chiu
Indianapolis, IN (US); Victor	D372,854 S	8/1996	Jimenez
Bogdanov, Manchester, CT (US);	D388,308 S	12/1997	Evans et al.
George Frolov, Farmington, CT (US)	D390,769 S *	2/1998	Hankel et al. D8/330
	D396,798 S	8/1998	Adelmeyer et al.
(73) Assignee: Harrow Products LLC, Montvale, NJ	D433,920 S	11/2000	Chang
(US)	6,286,347 B1	9/2001	Frolov
	D452,640 S	1/2002	Gartner
(**) Term: 14 Years	D452,807 S *	1/2002	Gartner D8/330
	D452,952 S	1/2002	Teskey
(21) Appl. No.: 29/247,943	D456,689 S	5/2002	Nakamaru
	D470,033 S	2/2003	Fleury et al.

(Continued)

(22) Filed: **Jul. 21, 2006**

(51) **LOC (8) Cl.** **11-05**

(52) **U.S. Cl.** **D8/350; D8/330**

(58) **Field of Classification Search** D8/350-353,
D8/330, 331, 346, 302, 341, 343, 338; D23/254,
D23/249; 174/66; 292/347, 357; 252/DIG. 37;
70/271, 277, 278.1, 284, 278.4, 285, 450;
340/5.21, 5.54, 5.65, 5.73, 5.81, 5.85
See application file for complete search history.

Primary Examiner—Mitchell Siegel
Assistant Examiner—Mark Goodwin
 (74) *Attorney, Agent, or Firm*—Michael Best & Friedrich LLP

(57) **CLAIM**

The ornamental design for a lock escutcheon, as shown and described.

(56) **References Cited**

U.S. PATENT DOCUMENTS

D199,485 S *	11/1964	Parriott	D8/350
D208,326 S	8/1967	Sonnenleiter		
D271,374 S *	11/1983	Butts	D8/353
4,637,237 A	1/1987	Witkoski et al.		
D290,442 S *	6/1987	Floyd et al.	D8/330
4,672,826 A	6/1987	Mombelli		
D305,861 S *	2/1990	Kautt	D8/330
4,936,122 A	6/1990	Osada		
D313,926 S *	1/1991	Kautt	D8/301
5,083,122 A *	1/1992	Clark	340/5.22
D324,477 S	3/1992	Fleming et al.		
5,113,675 A	5/1992	Uyeda		
D353,530 S *	12/1994	Gartner	D8/330

DESCRIPTION

FIG. 1 is an enlarged perspective view of a lock escutcheon showing our new design.

FIG. 2 is a reduced front elevational view thereof.

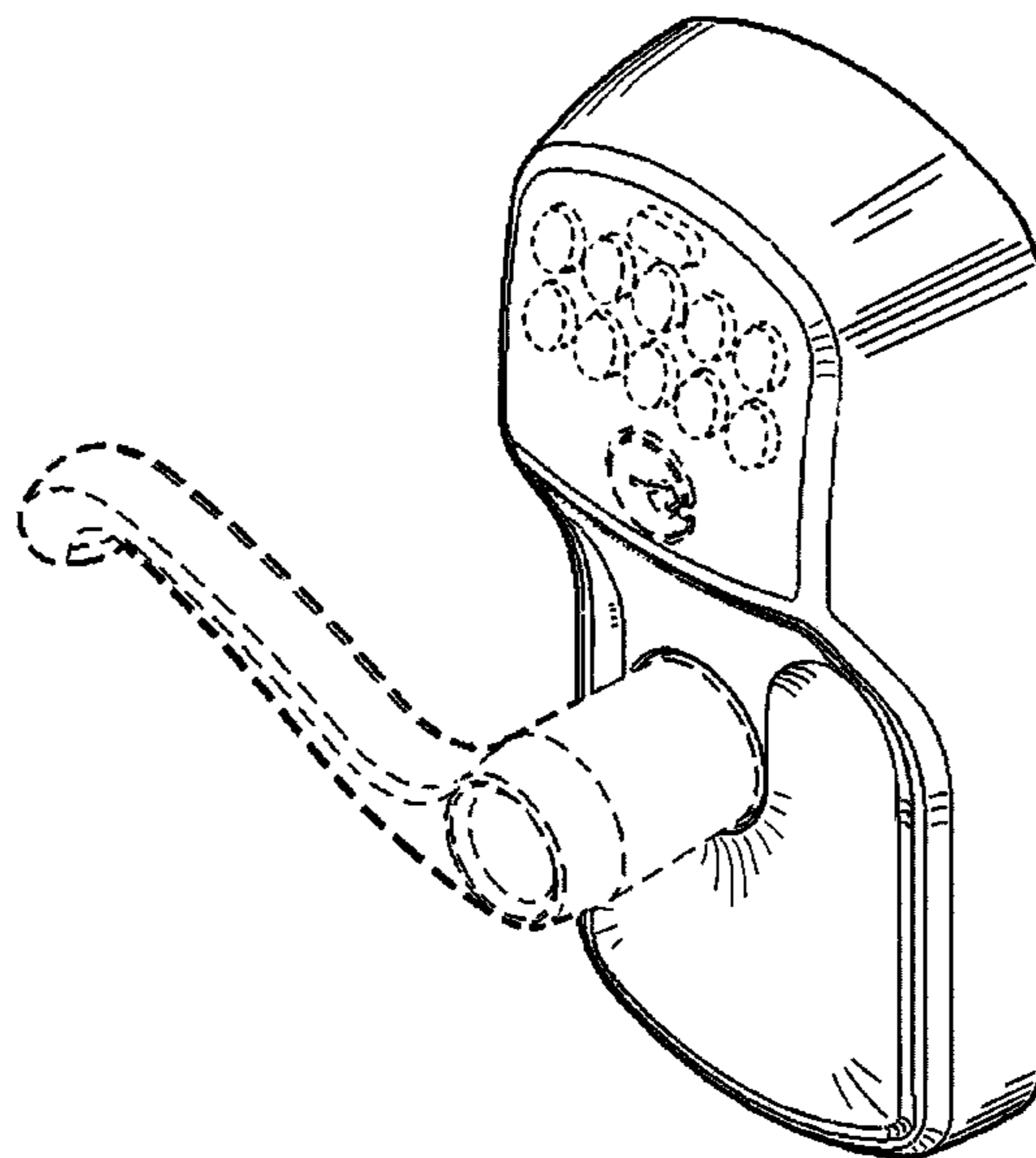
FIG. 3 is a reduced top plan view thereof.

FIG. 4 is a reduced right side elevational view thereof, the left side elevational view being a mirror image thereof; and,

FIG. 5 is a reduced bottom plan view thereof.

The rear view is not part of the claimed design. The broken line showing is for illustrative purposes only and forms no part of the claimed design.

1 Claim, 2 Drawing Sheets



US D552,966 S

Page 2

U.S. PATENT DOCUMENTS

D474,103 S	5/2003	Kaiser et al.				
D479,682 S	9/2003	Frolov et al.				
D494,841 S *	8/2004	Moon et al.	D8/352			
D495,578 S	9/2004	Sampson et al.				
D495,943 S	9/2004	Hentschel et al.				
D498,659 S	11/2004	Huang				
				D501,131 S *	1/2005	Oskamp et al. D8/331
				D501,388 S *	2/2005	Carpintero D8/301
				D502,859 S	3/2005	Pent et al.
				6,964,183 B2	11/2005	Keightley
				2001/0010166 A1	8/2001	Doucet et al.

* cited by examiner

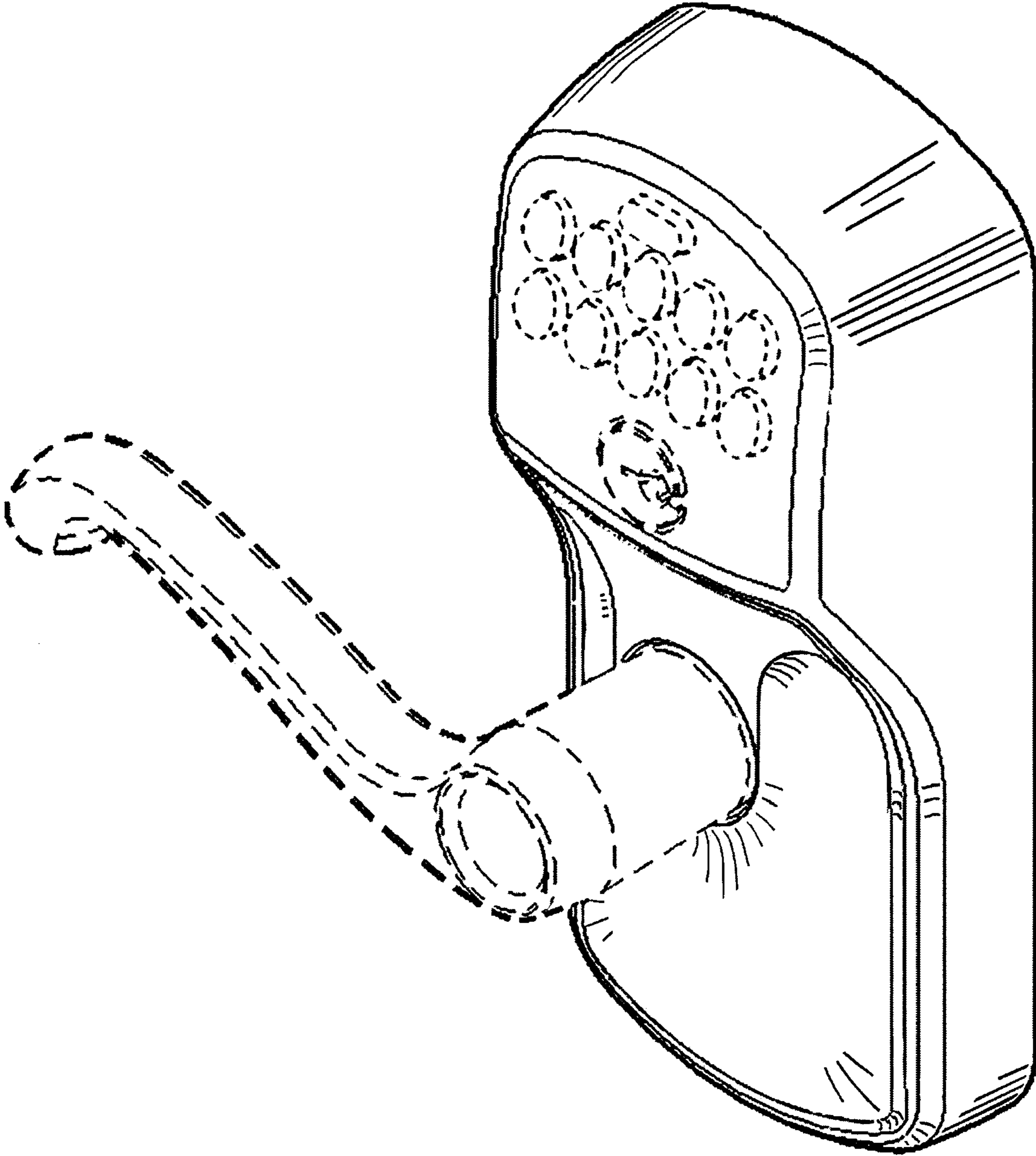


Fig. 1

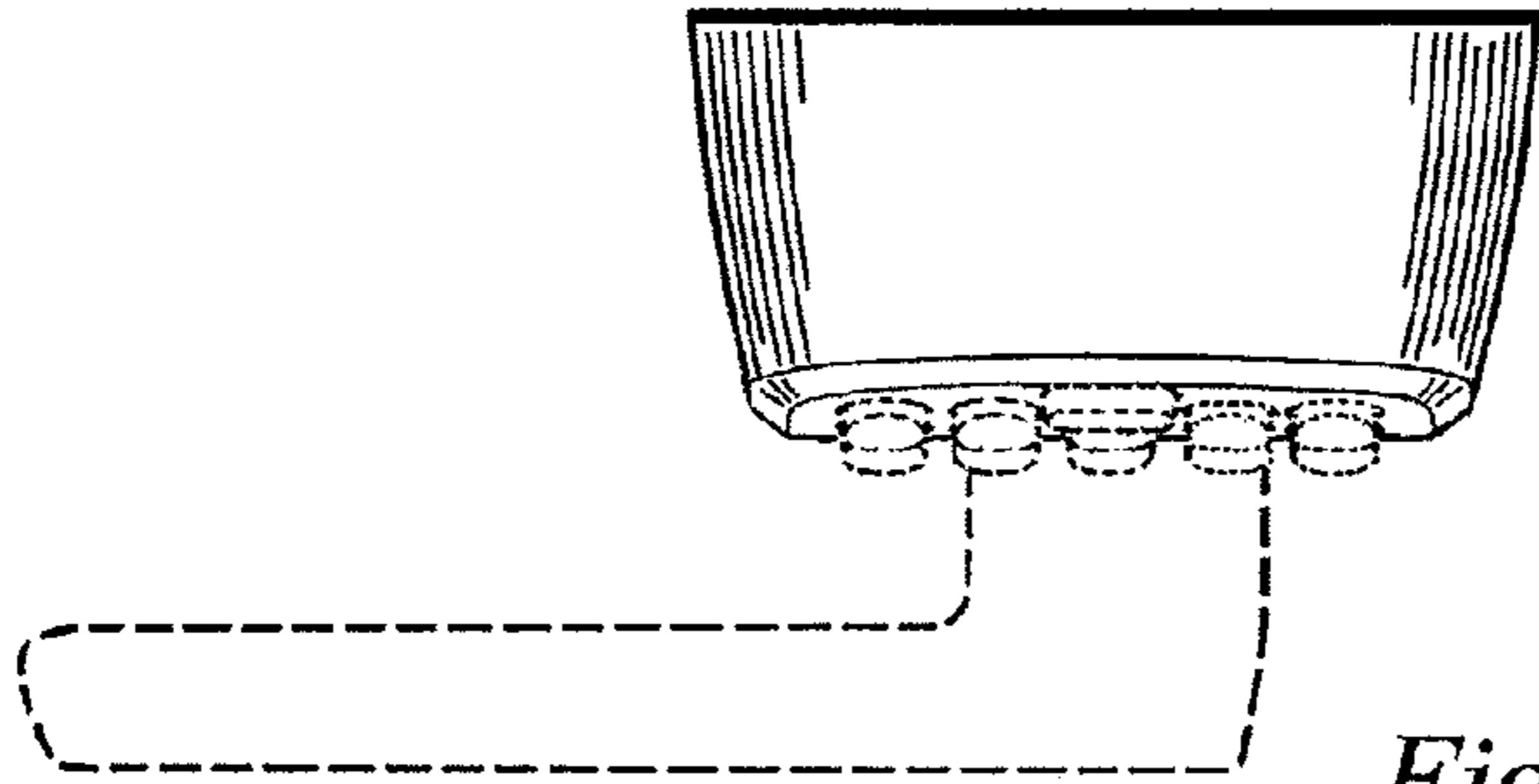


Fig. 3

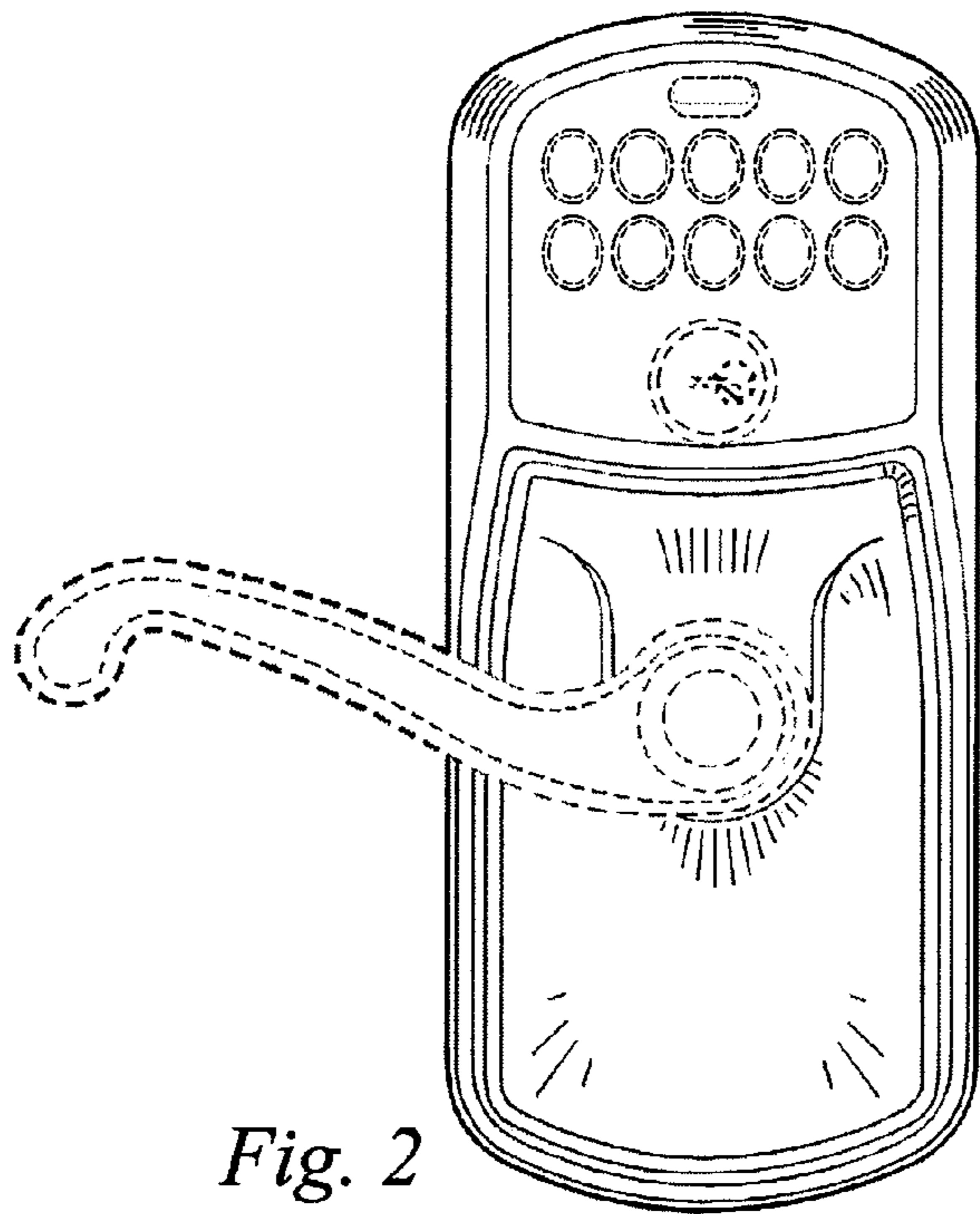


Fig. 2

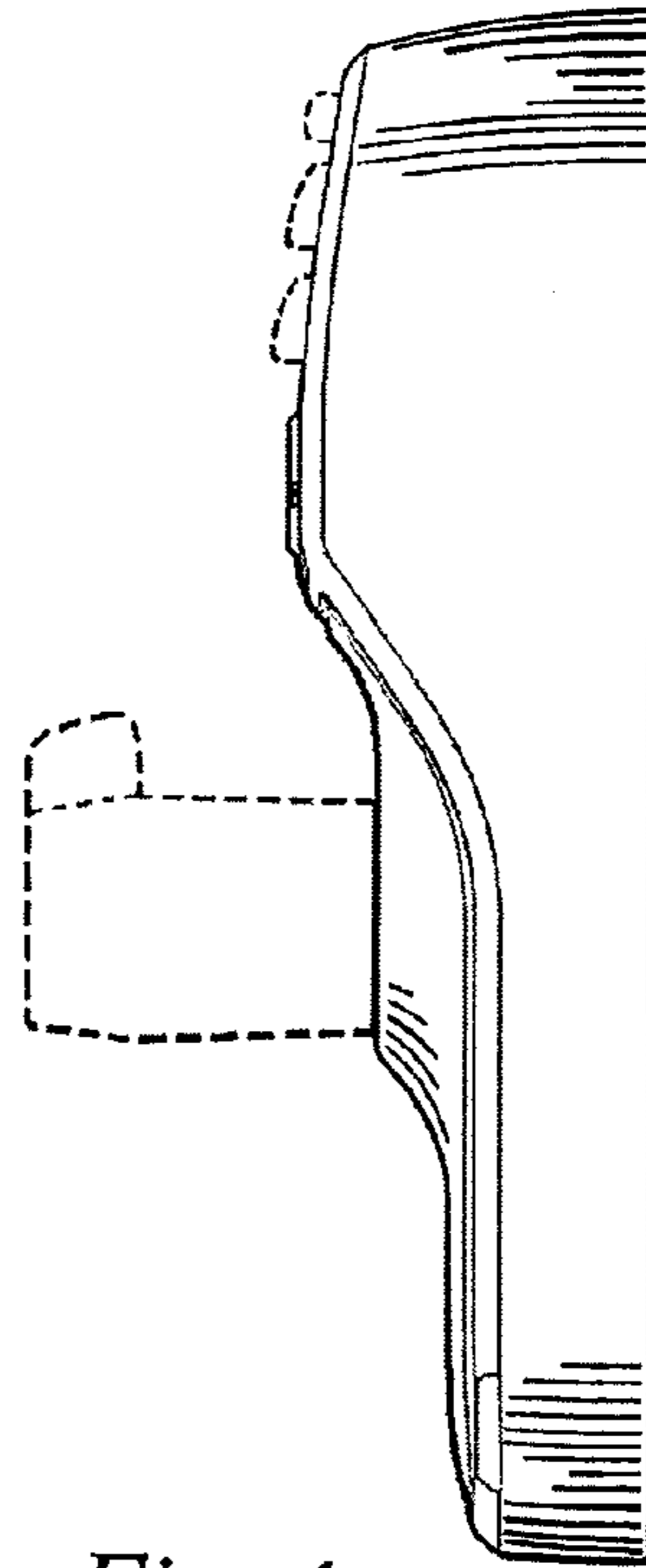


Fig. 4

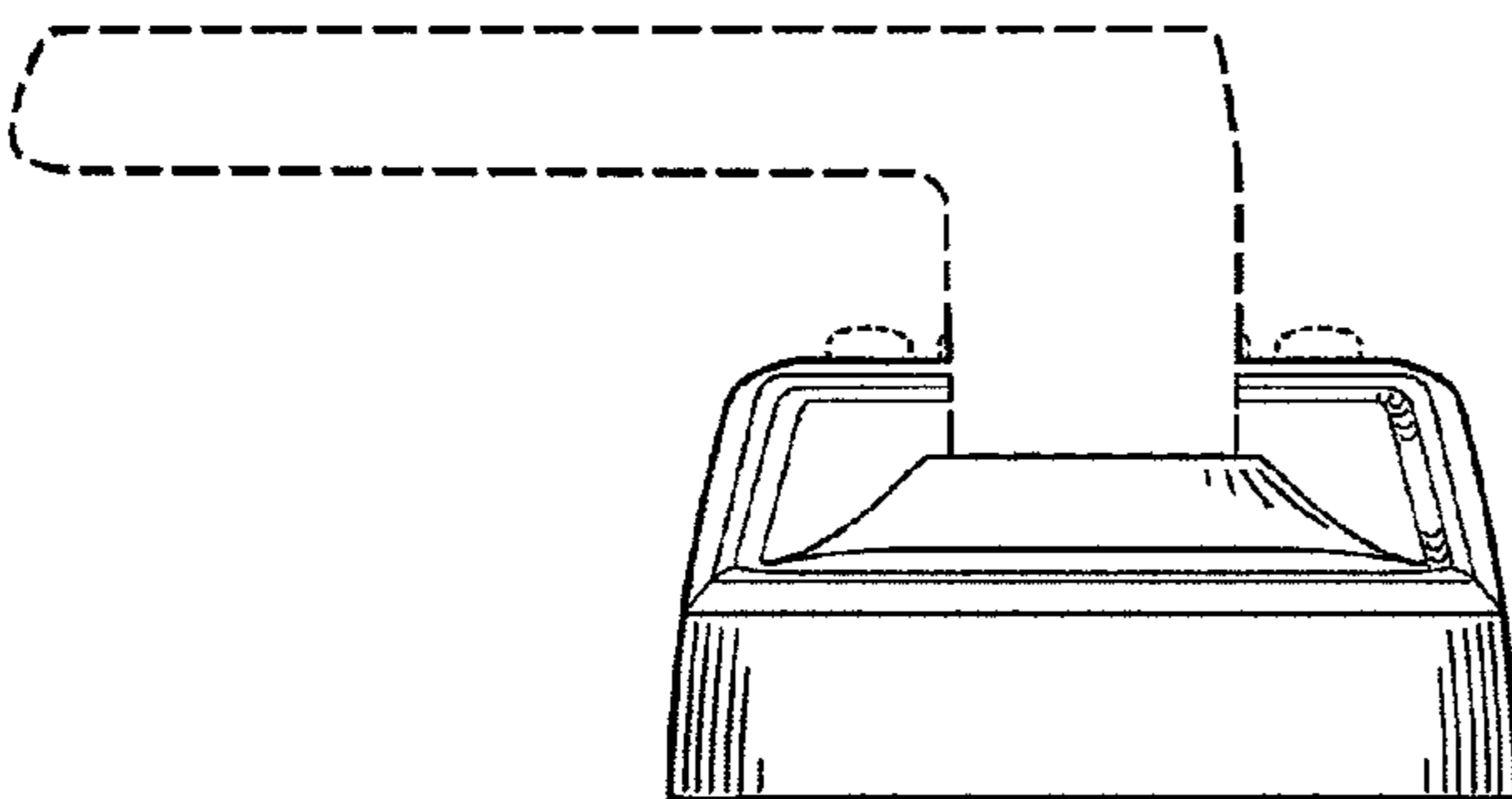


Fig. 5