



US00D552963S

(12) **United States Design Patent**
Freeman

(10) **Patent No.:** **US D552,963 S**

(45) **Date of Patent:** **** Oct. 16, 2007**

(54) **SECURITY BAR FOR SLIDING GLASS DOORS AND THE LIKE**

(76) **Inventor:** **Ann Freeman, 272 Blackshear Ave., Los Angeles, CA (US) 90022**

(**) **Term:** **14 Years**

(21) **Appl. No.:** **29/266,632**

(22) **Filed:** **Sep. 26, 2006**

(51) **LOC (8) Cl.** **08-07**

(52) **U.S. Cl.** **D8/339**

(58) **Field of Classification Search** D8/330-348,
D8/402; 292/289, 292, 300, 338, 339, 262,
292/288; 70/14, 57, 77, 89, 91, 95-100
See application file for complete search history.

(56) **References Cited**

U.S. PATENT DOCUMENTS

2,912,268	A *	11/1959	Markovich	292/262
D214,870	S *	8/1969	Malone	D8/339
3,615,114	A *	10/1971	Harris	292/288
3,797,005	A	3/1974	Schwarz		
3,825,290	A *	7/1974	Messina et al.	292/262
D236,082	S *	7/1975	Williams et al.	D8/339

4,193,067	A	3/1980	Hawkins		
4,971,374	A	11/1990	Lovell et al.		
D365,514	S *	12/1995	Borel	D8/402
D388,686	S *	1/1998	Goodwin et al.	D8/331
D504,301	S *	4/2005	Wood	D8/339
D504,302	S *	4/2005	Wood	D8/339

* cited by examiner

Primary Examiner—Mitchell Siegel

(57) **CLAIM**

The ornamental design for a security bar for sliding glass doors and the like, as shown and described.

DESCRIPTION

FIG. 1 is a side elevational view of a security bar for sliding glass doors and the like showing my new design;

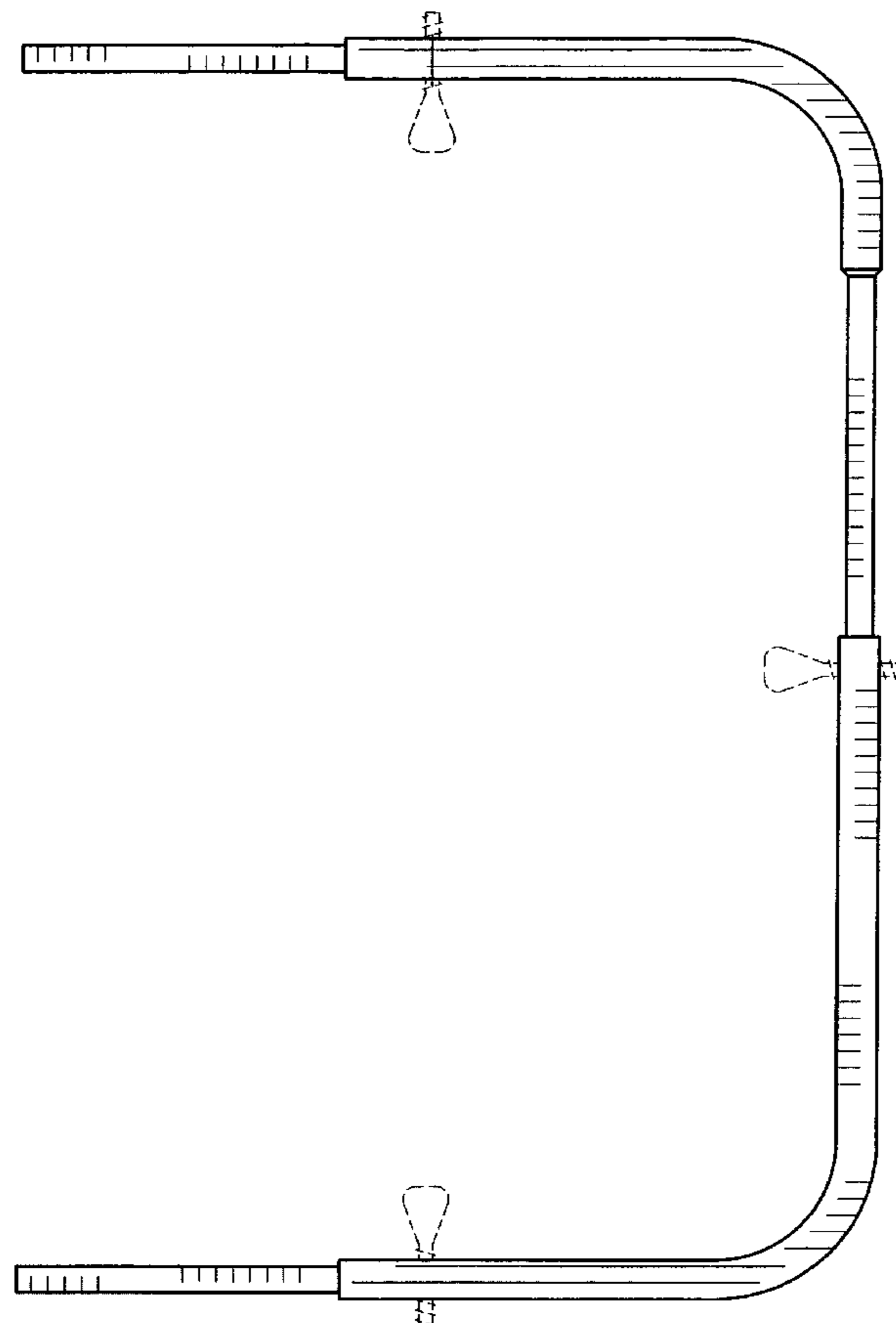
FIG. 2 is a top plan view thereof;

FIG. 3 is a front elevational view thereof; and,

FIG. 4 is a rear elevational thereof.

The broken line showing is included for the purpose of illustrating and forms no part of the claimed design.

1 Claim, 4 Drawing Sheets



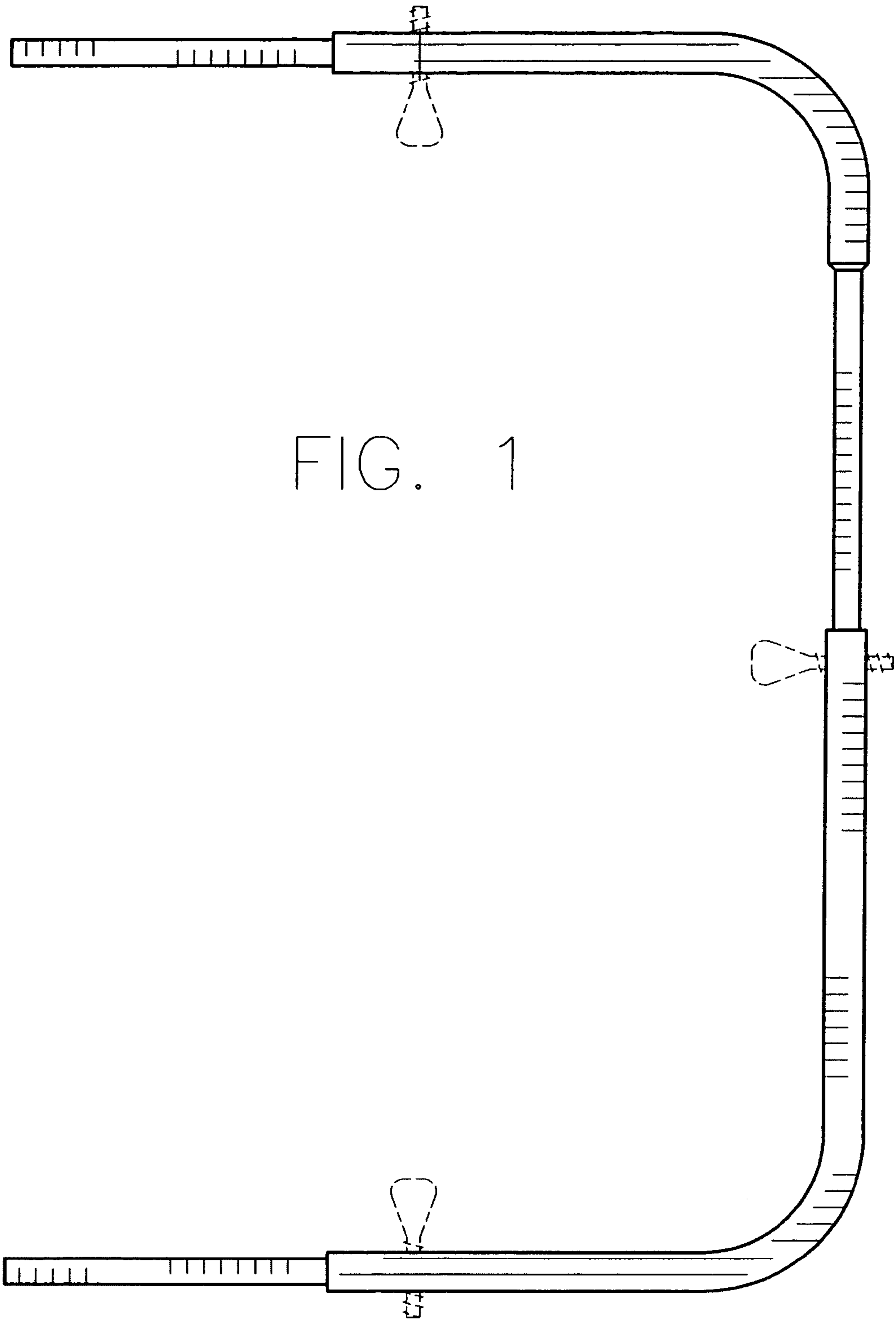


FIG. 1



FIG. 2



FIG. 3



FIG. 4