



US00D552959S

(12) **United States Design Patent**  
**Gilboe**

(10) **Patent No.:** **US D552,959 S**

(45) **Date of Patent:** **\*\* Oct. 16, 2007**

(54) **APPLIANCE HANDLE**

(75) Inventor: **Kevin J. Gilboe**, Stevensville, MI (US)

(73) Assignee: **Whirlpool Corporation**, Benton Harbor, MI (US)

(\*\*) Term: **14 Years**

(21) Appl. No.: **29/234,101**

(22) Filed: **Jul. 13, 2005**

(51) **LOC (8) Cl.** ..... **08-06**

(52) **U.S. Cl.** ..... **D8/317**

(58) **Field of Classification Search** ..... D8/315,  
D8/317, 319, 300, DIG. 1; D15/87, 91; D21/478,  
D21/479, 484, 492, 497, 503; 312/279; D7/349;  
294/161; 62/258; D6/446

See application file for complete search history.

(56) **References Cited**

U.S. PATENT DOCUMENTS

D114,897 S \* 5/1939 Jones ..... D8/319

(Continued)

*Primary Examiner*—Paula A. Greene

(74) *Attorney, Agent, or Firm*—Tara M. Hartman; John F. Colligan

(57) **CLAIM**

The ornamental design for an appliance handle, as shown and described.

**DESCRIPTION**

FIG. 1 is a front perspective view of the design of the appliance handle;

FIG. 2 is a front elevational view thereof;

FIG. 3 is a top plan view thereof;

FIG. 4 is a right side elevational view with the left side being a mirror image thereof;

FIG. 5 is a front perspective view of the design of the appliance handle shown in another embodiment, thereof;

FIG. 6 is a front elevational view thereof;

FIG. 7 is a top plan view thereof;

FIG. 8 is a right side elevational view with the left side being a mirror image thereof;

FIG. 9 is a front perspective view of the design of the appliance handle shown in another embodiment, thereof;

FIG. 10 is a front elevational view thereof;

FIG. 11 is a top plan view thereof;

FIG. 12 is a right side elevational view with the left side being a mirror image thereof;

FIG. 13 is a front perspective view of the design of the appliance handle shown in another embodiment, thereof;

FIG. 14 is a front elevational view thereof;

FIG. 15 is a top plan view thereof;

FIG. 16 is a right side elevational view with the left side being a mirror image thereof;

FIG. 17 is a front perspective view of the design of the appliance handle shown in another embodiment, thereof;

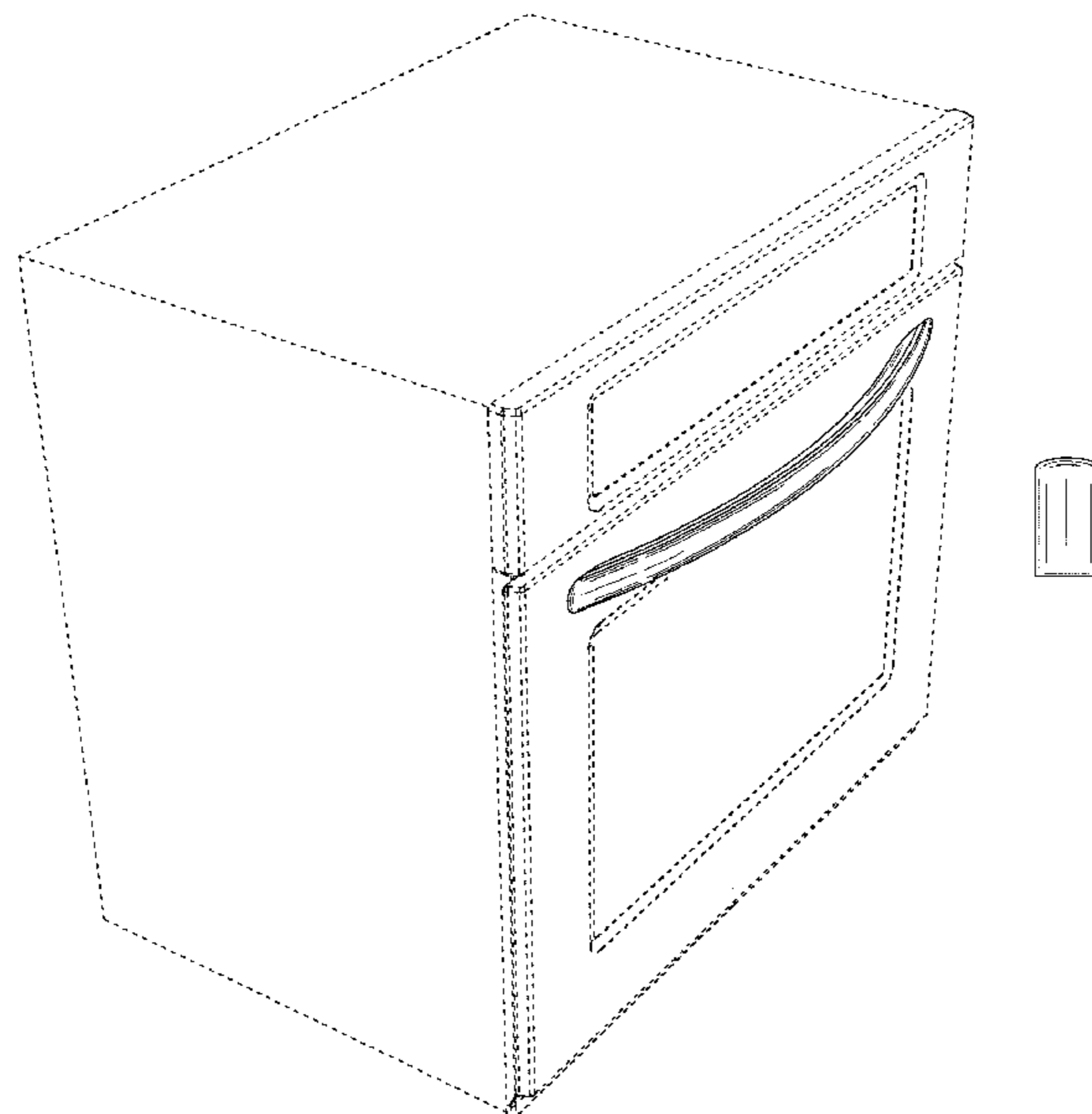
FIG. 18. is a front elevational view thereof;

FIG. 19 is a top plan view thereof; and,

FIG. 20 is a right side elevational view with the left side being a mirror image thereof.

The broken lines shown are for illustrative purposes only and form no part of the design claimed.

**1 Claim, 10 Drawing Sheets**



# US D552,959 S

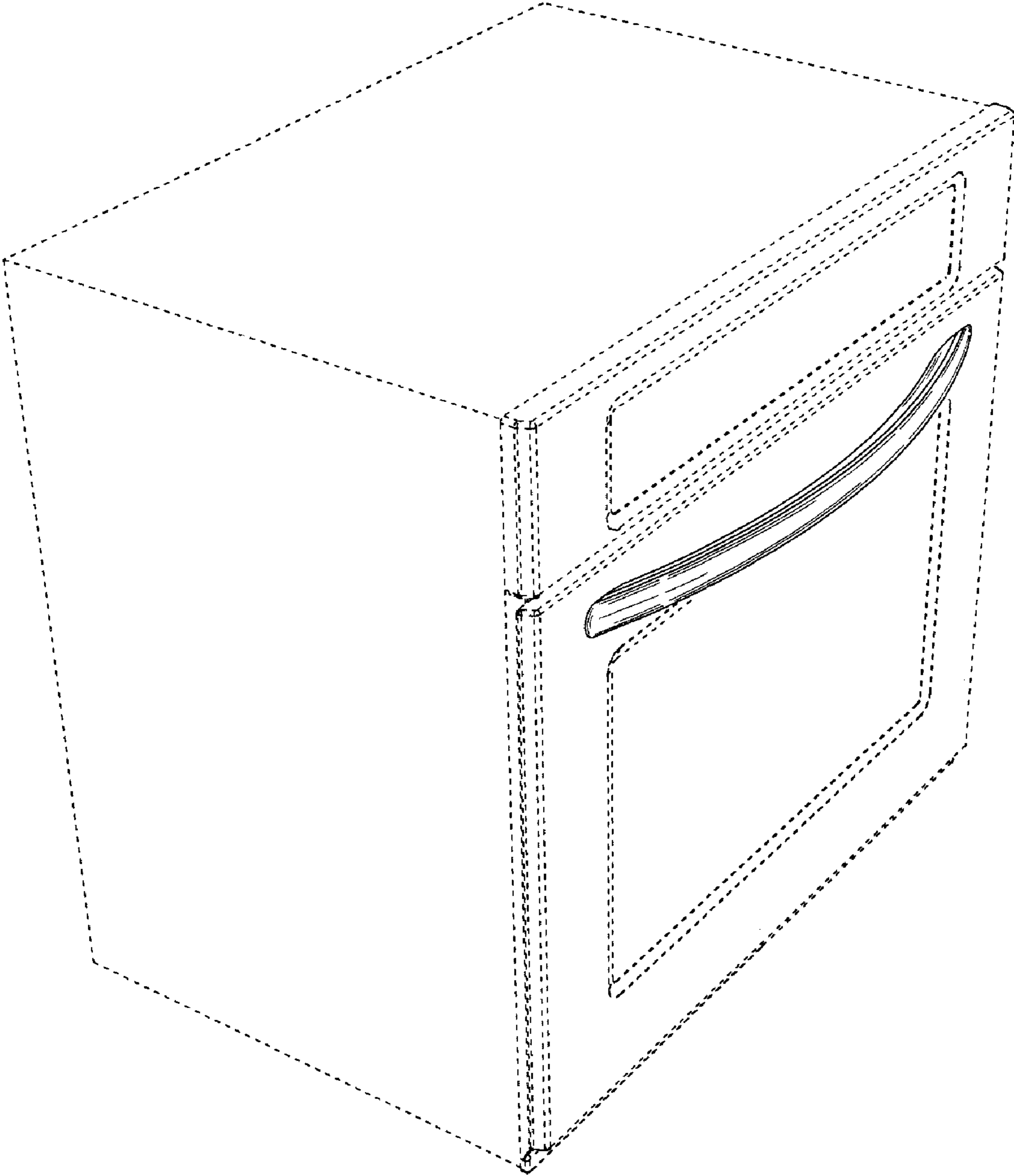
Page 2

---

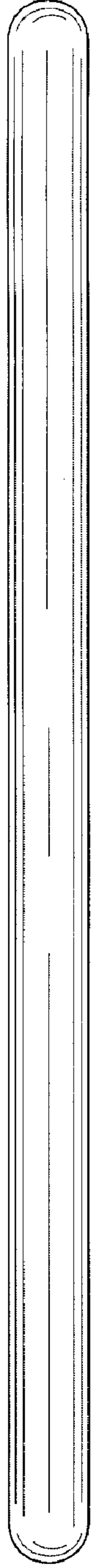
## U.S. PATENT DOCUMENTS

D116,604 S *	9/1939	Hefferan .....	D8/319	4,923,236 A *	5/1990	Bunck .....	294/161
D119,283 S *	3/1940	Rettich .....	D8/317	D379,631 S *	6/1997	Odom .....	D15/86
D129,484 S *	9/1941	Jiranel .....	D6/446	D518,077 S *	3/2006	Lee et al. ....	D15/91
D138,909 S *	9/1944	Stone et al. ....	D8/317	D520,535 S *	5/2006	Lee et al. ....	D15/91
2,381,667 A *	8/1945	Jensen et al. ....	62/258	D525,476 S *	7/2006	Bengtson et al. ....	D7/349
2,425,505 A *	8/1947	Benson .....	312/279				

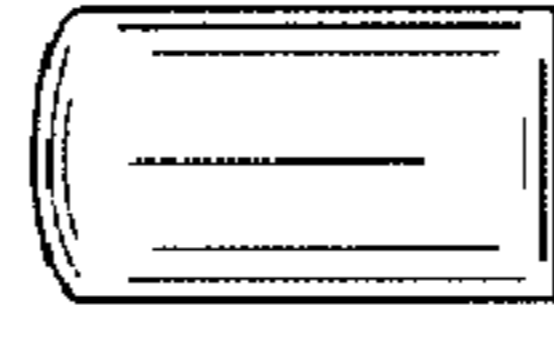
\* cited by examiner



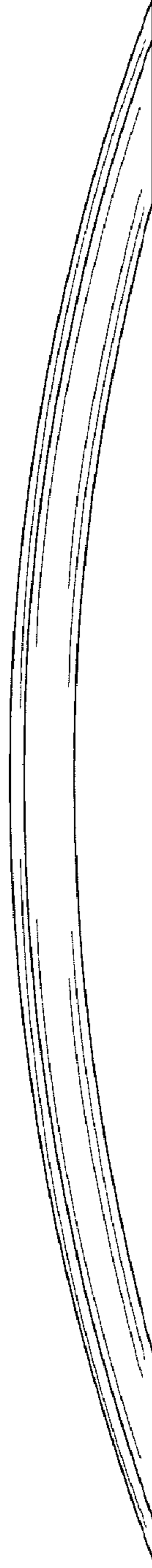
**Fig. 1**



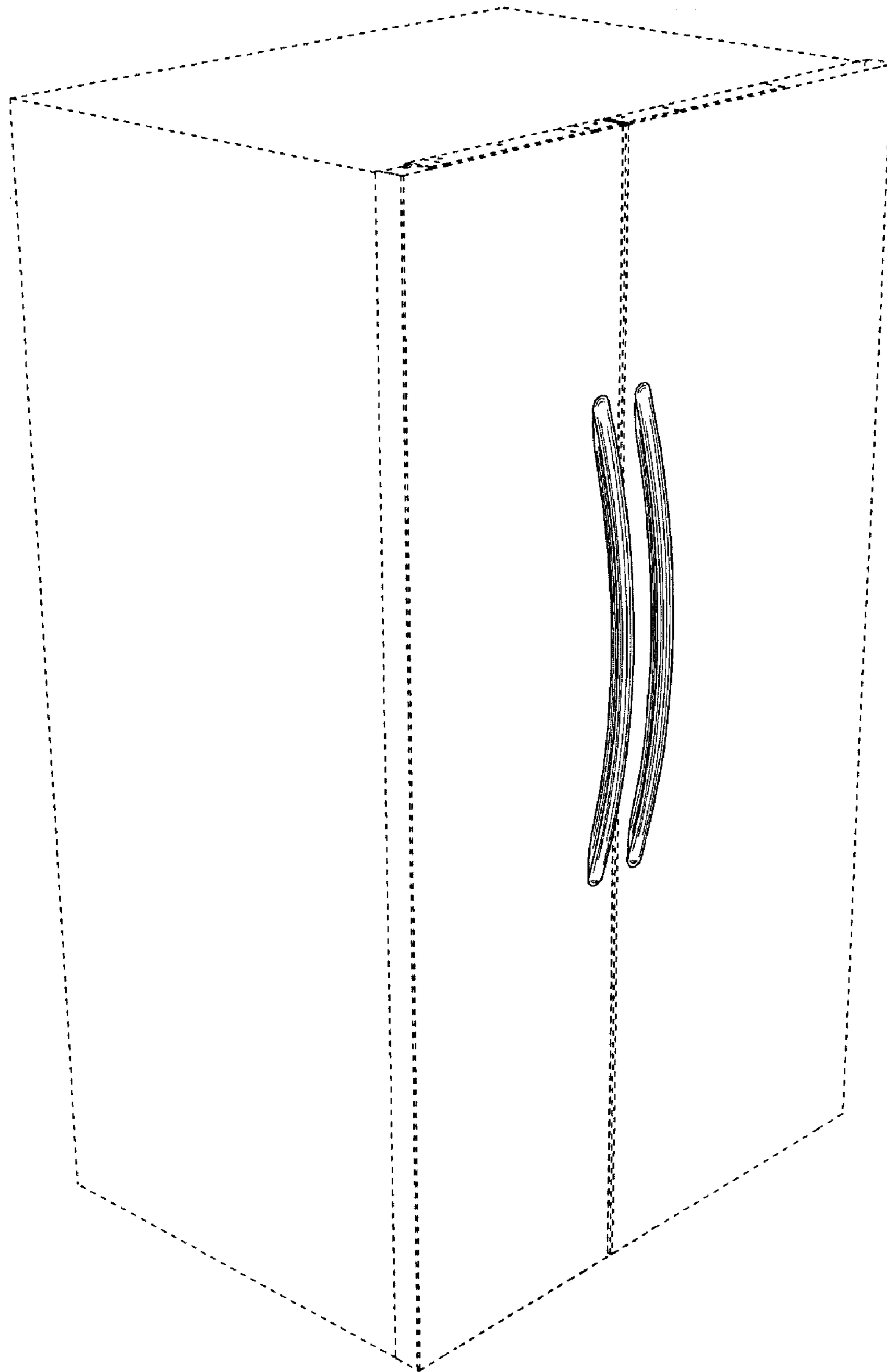
**Fig. 2**



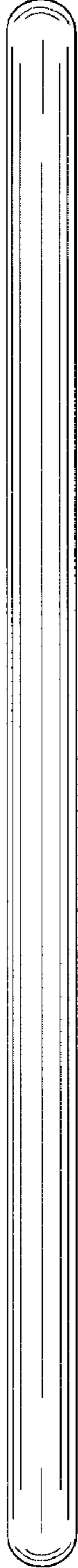
**Fig. 4**



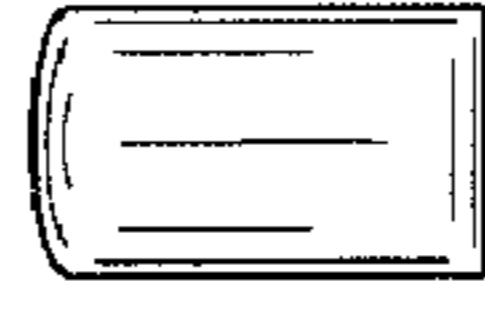
**Fig. 3**



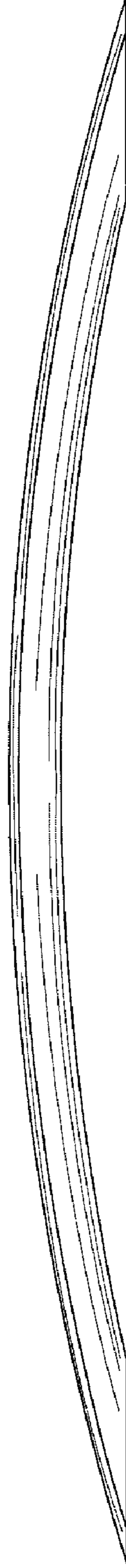
**Fig. 5**



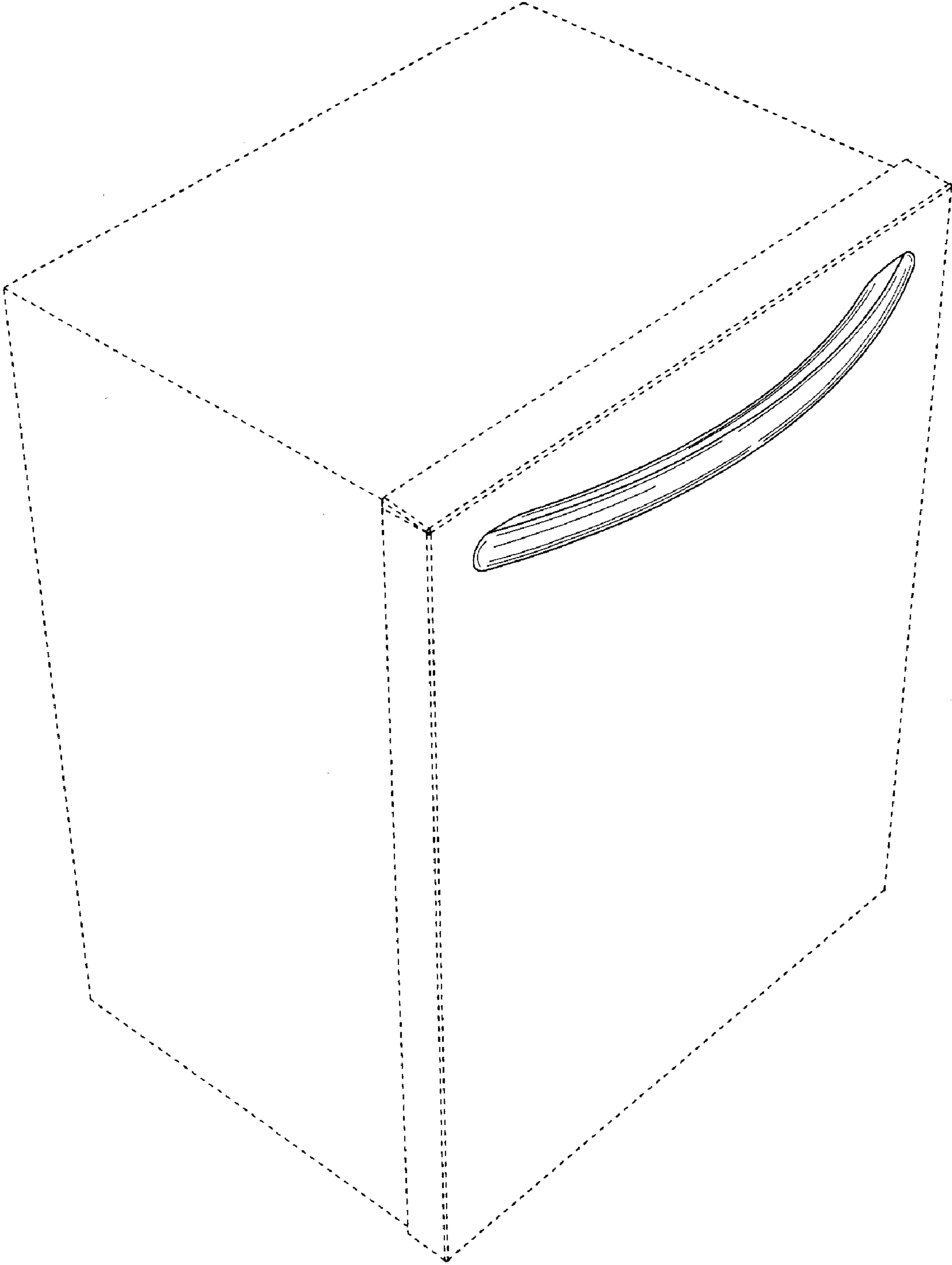
**Fig. 6**



**Fig. 8**



**Fig. 7**



**Fig. 9**

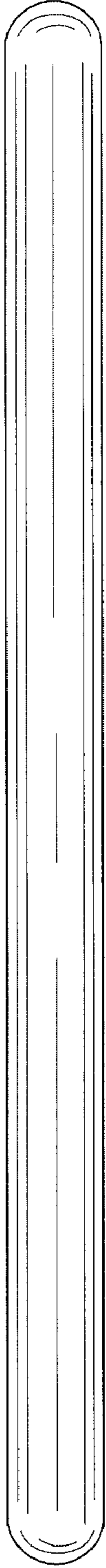


Fig. 10

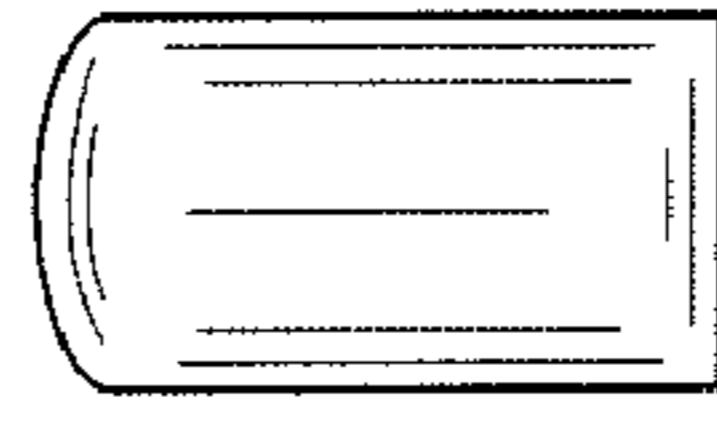


Fig. 12

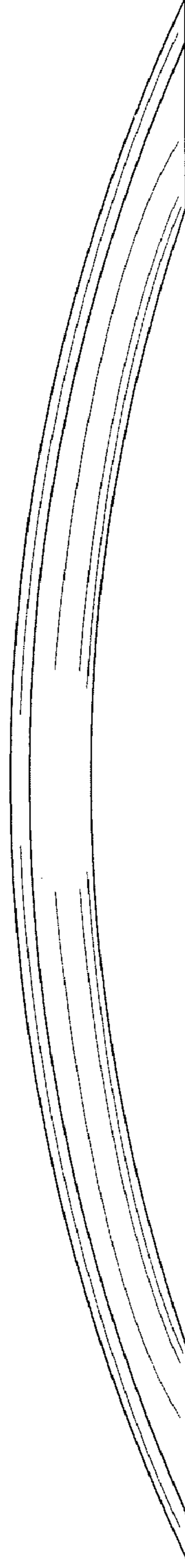
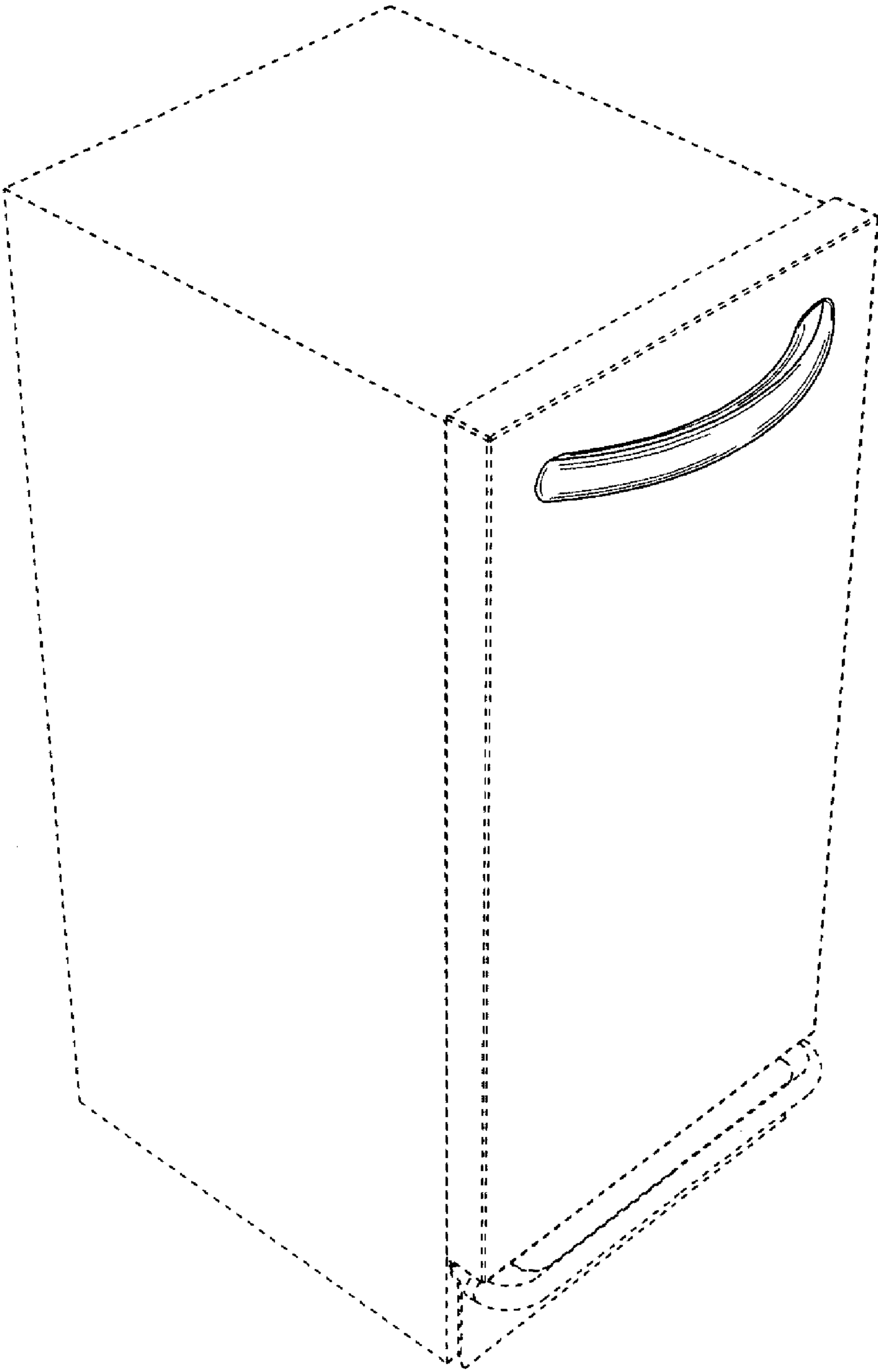
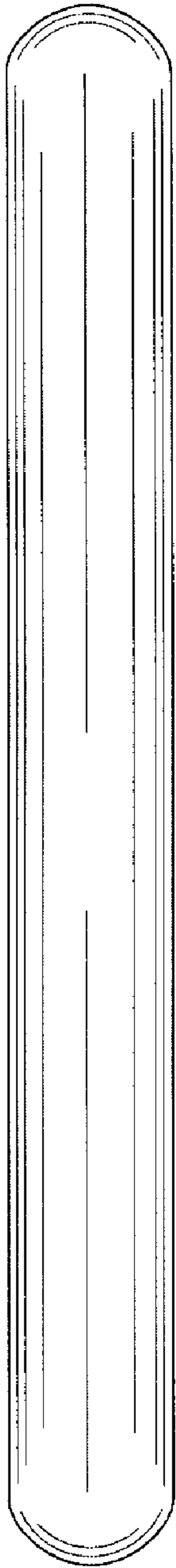


Fig. 11

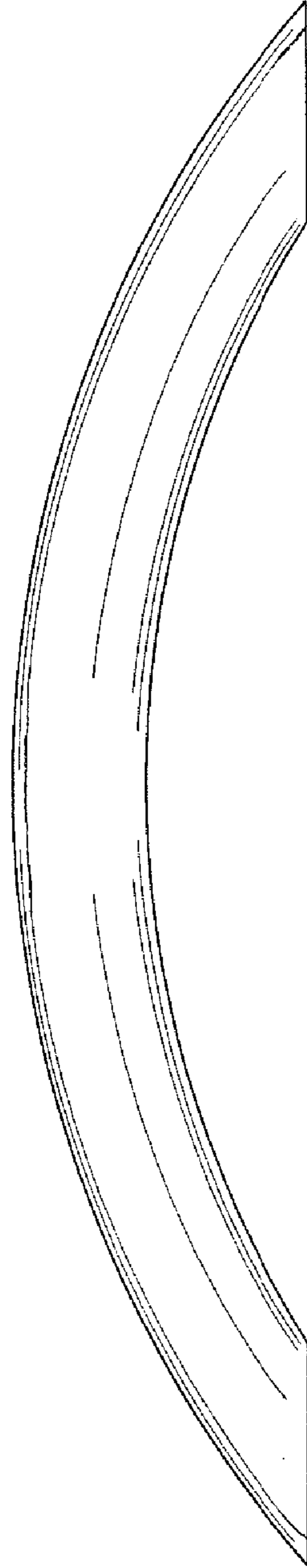




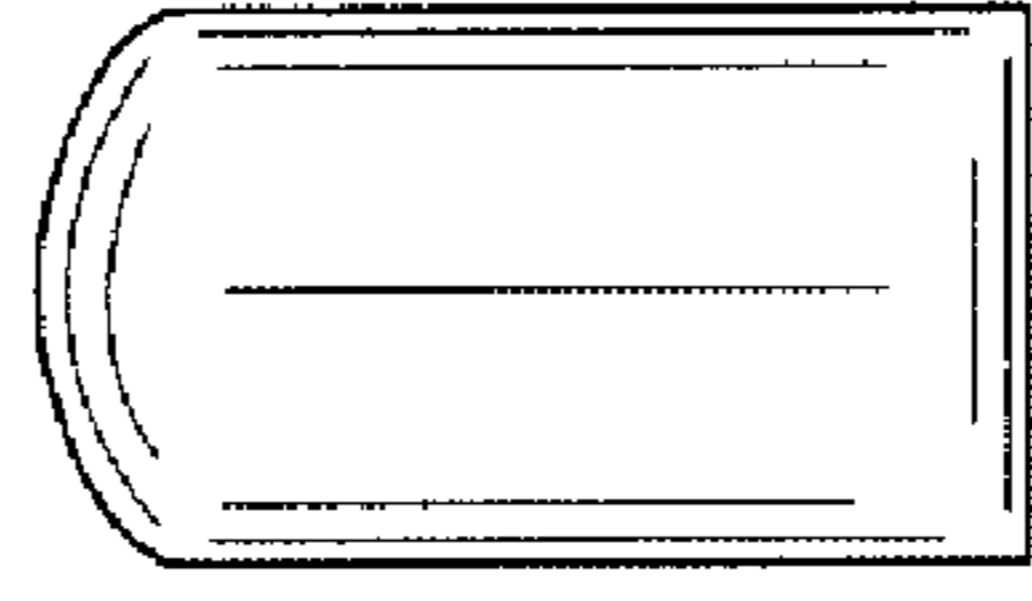
**Fig. 13**



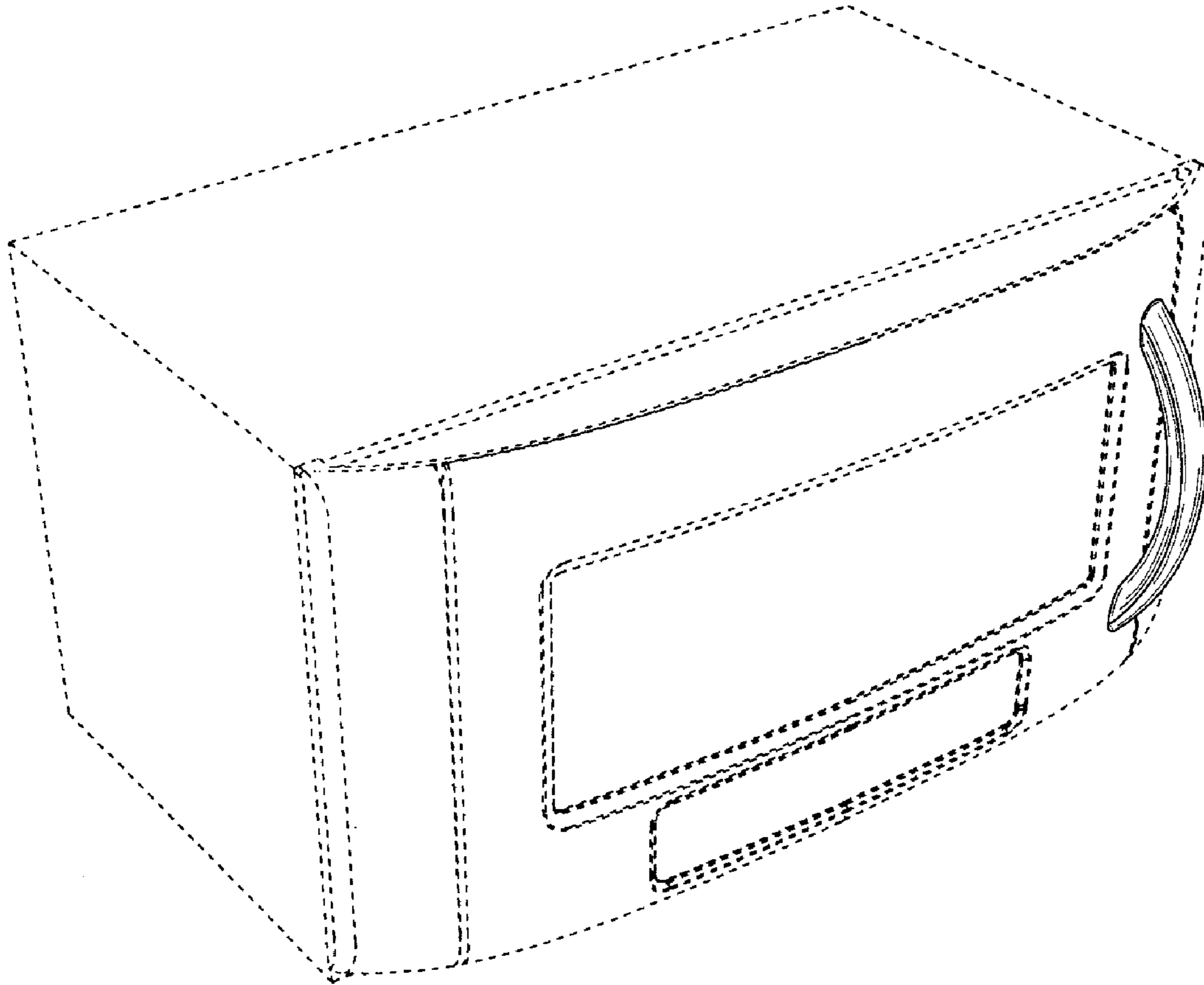
**Fig. 14**



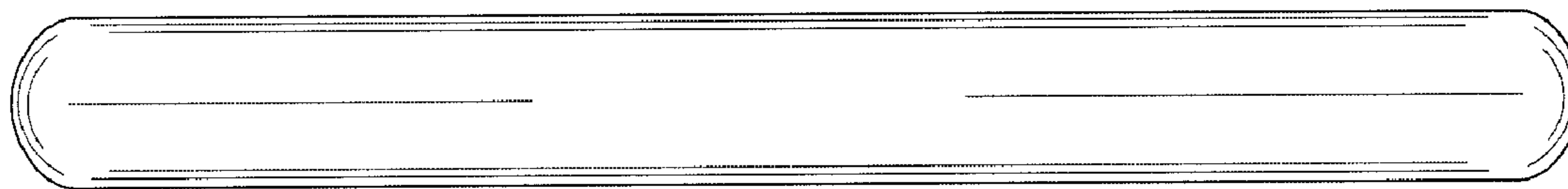
**Fig. 15**



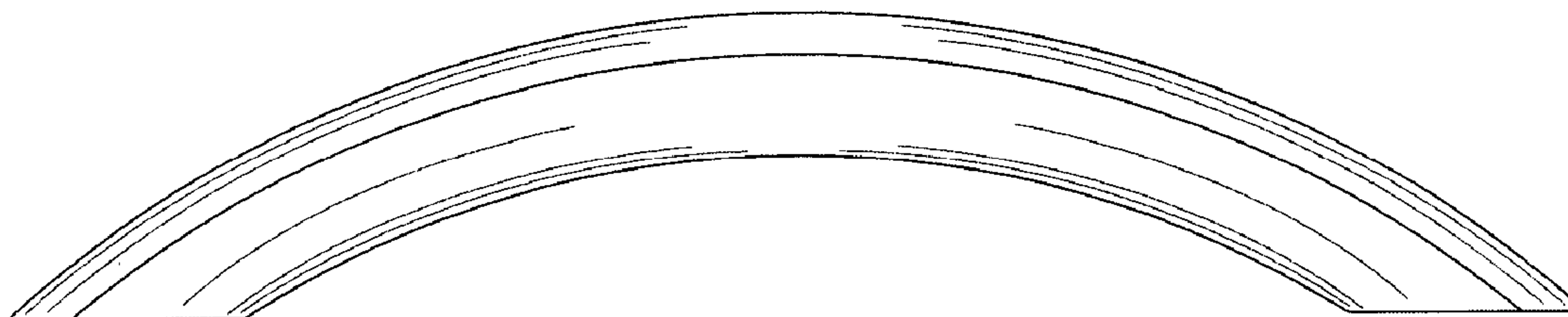
**Fig. 16**



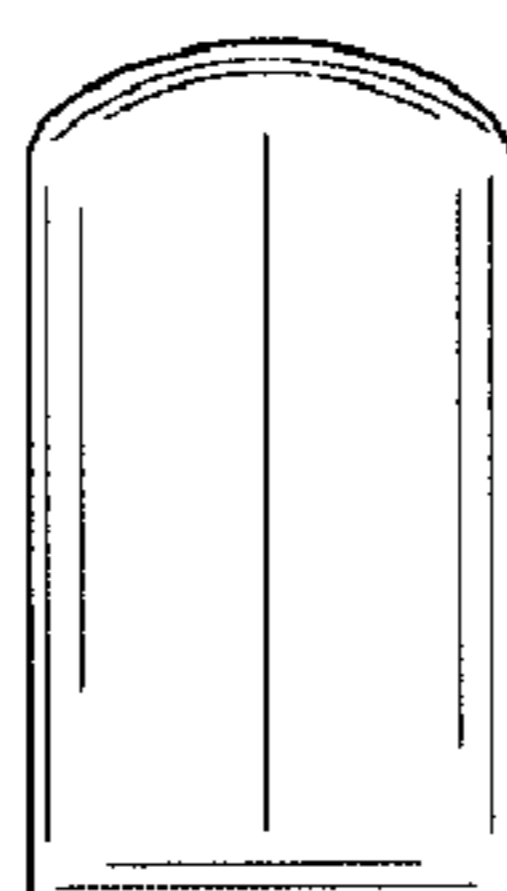
**Fig. 17**



**Fig. 18**



**Fig. 19**



**Fig. 20**