

US00D552958S

(12) **United States Design Patent**  
**Krumpe et al.**

(10) **Patent No.:** **US D552,958 S**

(45) **Date of Patent:** **\*\* Oct. 16, 2007**

(54) **PULL**

(75) Inventors: **Geraint Krumpe**, Chicago, IL (US);  
**Victor Hoernig**, Lowell, IN (US)

(73) Assignee: **Liberty Hardware Mfg. Corp.**,  
Winston-Salem, NC (US)

(\*\*) Term: **14 Years**

(21) Appl. No.: **29/262,938**

(22) Filed: **Jul. 13, 2006**

(51) **LOC (8) Cl.** ..... **08-06**

(52) **U.S. Cl.** ..... **D8/316**

(58) **Field of Classification Search** ..... D8/300,  
D8/305, 307-308, 315-320; 16/110.1, 412,  
16/415-420, 441, 443-445; D7/393, 395;  
D23/250-252

See application file for complete search history.

(56) **References Cited**

**U.S. PATENT DOCUMENTS**

- D175,473 S \* 8/1955 Leichter ..... D8/317
- D194,968 S \* 4/1963 Stelma ..... D8/317
- D200,953 S \* 4/1965 Menezes et al. .... D8/317
- D224,225 S \* 7/1972 Doman ..... D23/250

- D290,336 S \* 6/1987 Paul ..... D8/308
- D327,530 S \* 6/1992 Rawald ..... D23/250
- D403,230 S \* 12/1998 Ziemer et al. .... D8/317
- D431,444 S \* 10/2000 Short ..... D8/316
- D513,694 S \* 1/2006 Vitkauskas ..... D8/300

\* cited by examiner

*Primary Examiner*—Paula A. Greene

(74) *Attorney, Agent, or Firm*—Edgar A. Zarins; Lloyd D. Doigan

(57) **CLAIM**

The ornamental design for a pull, as shown and described.

**DESCRIPTION**

FIG. 1 is a perspective view of a pull showing our new design;

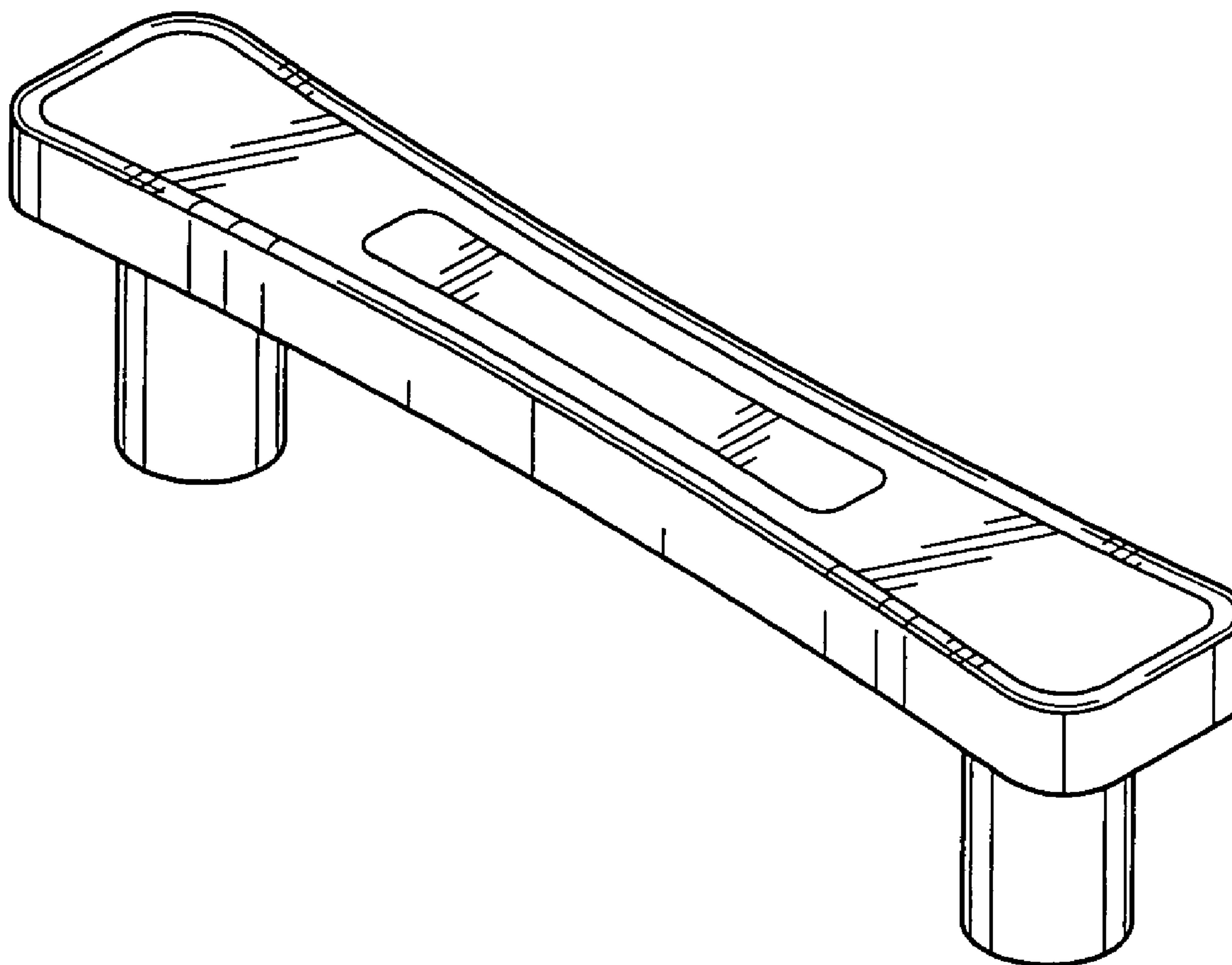
FIG. 2 is a front elevational view thereof;

FIG. 3 is a side view thereof, the opposite side being a mirror image of the side shown;

FIG. 4 is a longitudinal cross-sectional view thereof; and,

FIG. 5 is an end view thereof, the opposite end being a mirror image of the end shown.

**1 Claim, 1 Drawing Sheet**



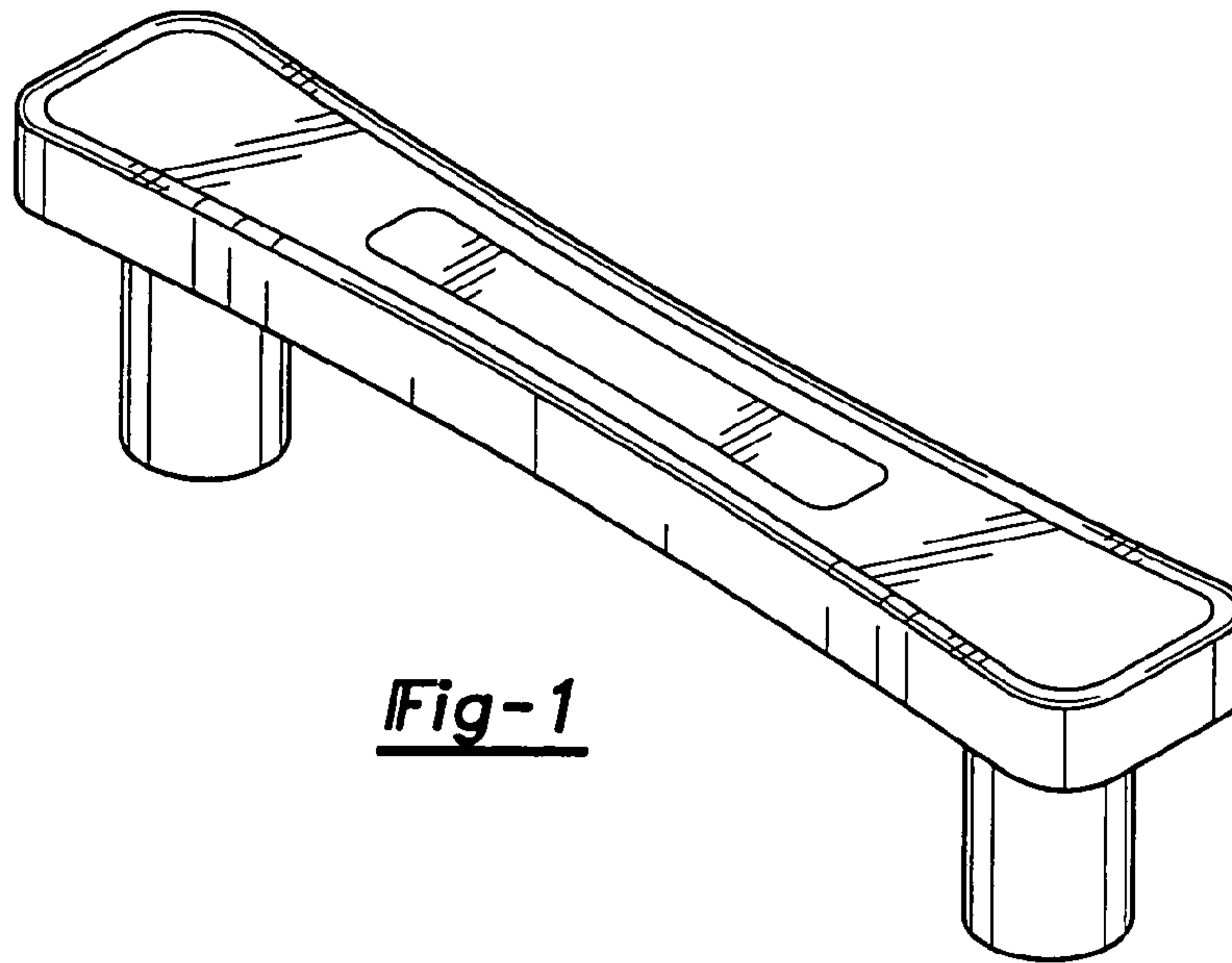


Fig-1

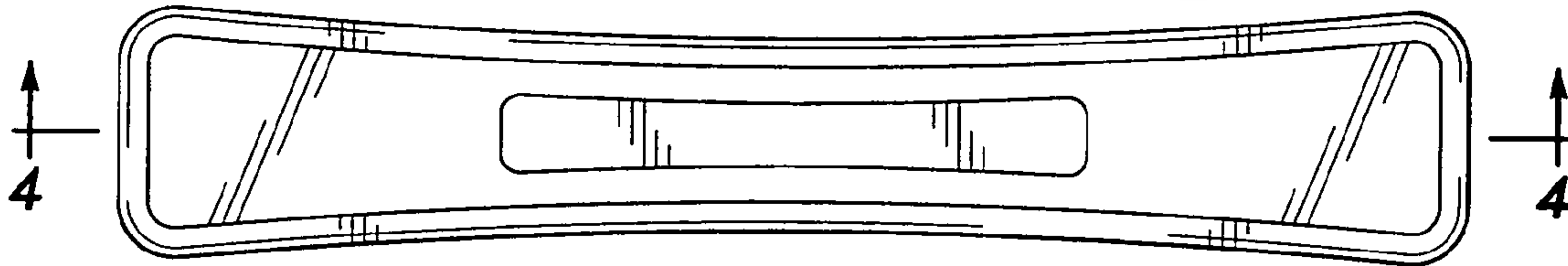


Fig-2

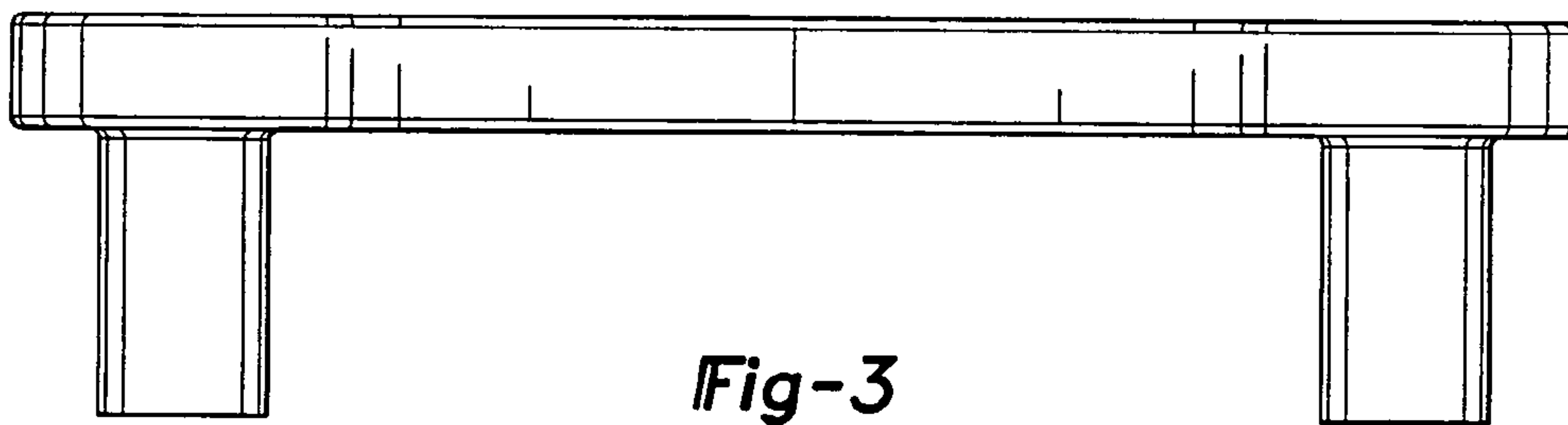


Fig-3

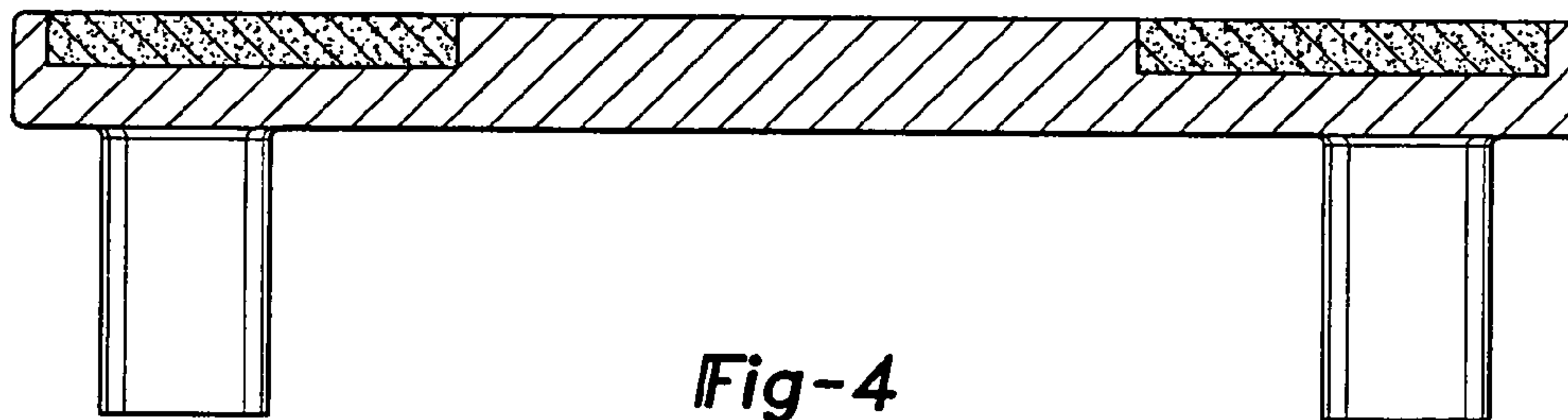


Fig-4

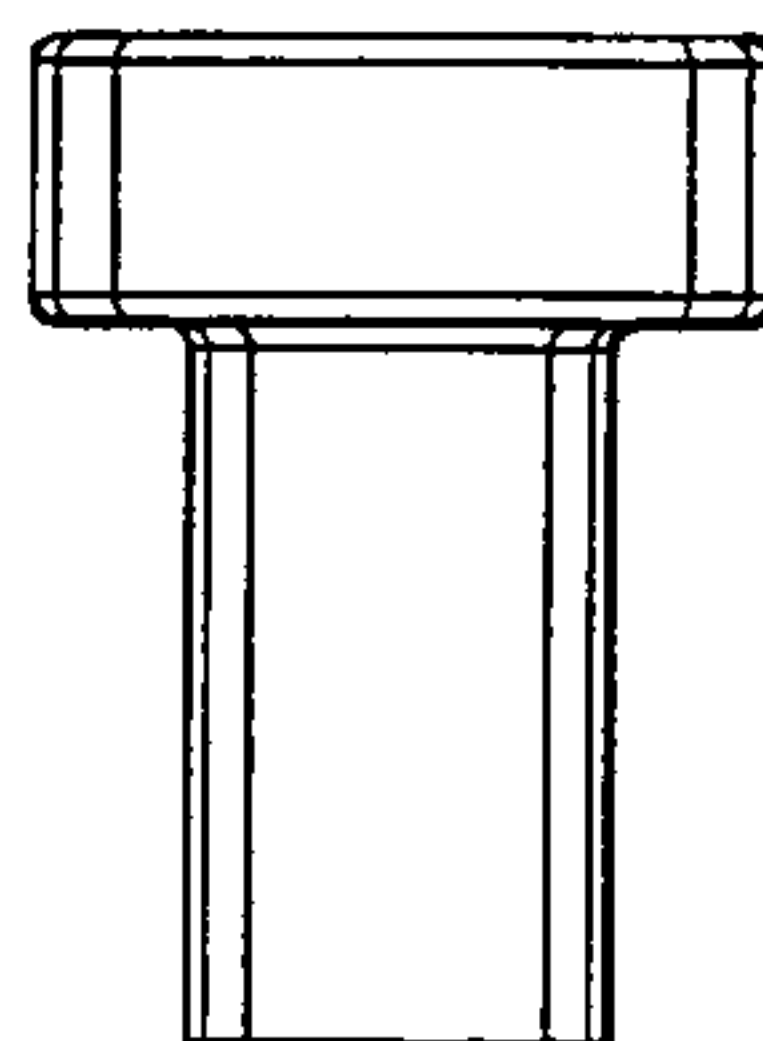


Fig-5