



US00D552955S

(12) **United States Design Patent**
Ping

(10) **Patent No.:** **US D552,955 S**
(45) **Date of Patent:** **** Oct. 16, 2007**

(54) **UTILITY KNIFE**

(75) Inventor: **Qiu Jian Ping**, Hangzhou (CN)

(73) Assignee: **Great Neck Saw Manufacturers, Inc.**,
Mineola, NY (US)

(**) Term: **14 Years**

(21) Appl. No.: **29/268,384**

(22) Filed: **Nov. 6, 2006**

1,706,251 A 3/1929 Perry
1,750,577 A 3/1930 De Bracht
2,134,973 A 11/1938 Harwell
2,265,775 A 12/1941 Mc Namara
2,284,128 A 5/1942 Bush

(Continued)

FOREIGN PATENT DOCUMENTS

CN 02-2-88379.7 12/2002

(Continued)

Primary Examiner—Philip S. Ryder

(74) *Attorney, Agent, or Firm*—Joseph J. Previto

Related U.S. Application Data

(60) Division of application No. 29/256,292, filed on Mar. 17, 2006, which is a division of application No. 29/215,250, filed on Oct. 15, 2004, now abandoned, which is a continuation-in-part of application No. 29/203,849, filed on Apr. 20, 2004, now Pat. No. Des. 510,250, which is a division of application No. 29/181,557, filed on May 13, 2003, now Pat. No. Des. 495,939.

(51) **LOC (8) Cl.** **08-03**

(52) **U.S. Cl.** **D8/99**

(58) **Field of Classification Search** D8/98,
D8/99, 107; D22/117; 30/154, 155, 156,
30/157, 158, 159, 160, 161, 162, 330, 331,
30/329

See application file for complete search history.

(56) **References Cited**

U.S. PATENT DOCUMENTS

97,154 A 11/1869 Barnard
493,075 A 3/1893 Evertz
515,045 A 2/1894 Bultzingslowen
584,077 A 6/1897 Jackson
596,096 A 12/1897 Watts
988,068 A 3/1911 Beardsley
1,362,142 A 12/1920 Rohrer
1,444,324 A 2/1923 Brooks

(57) **CLAIM**

The ornamental design of a utility knife, as shown and described.

DESCRIPTION

FIG. 1 is a perspective view of a utility knife showing my new design;

FIG. 2 is a top plan view thereof;

FIG. 3 is a right side elevation view thereof;

FIG. 4 is a front elevation view thereof;

FIG. 5 is a rear elevation view thereof;

FIG. 6 is bottom plan view thereof;

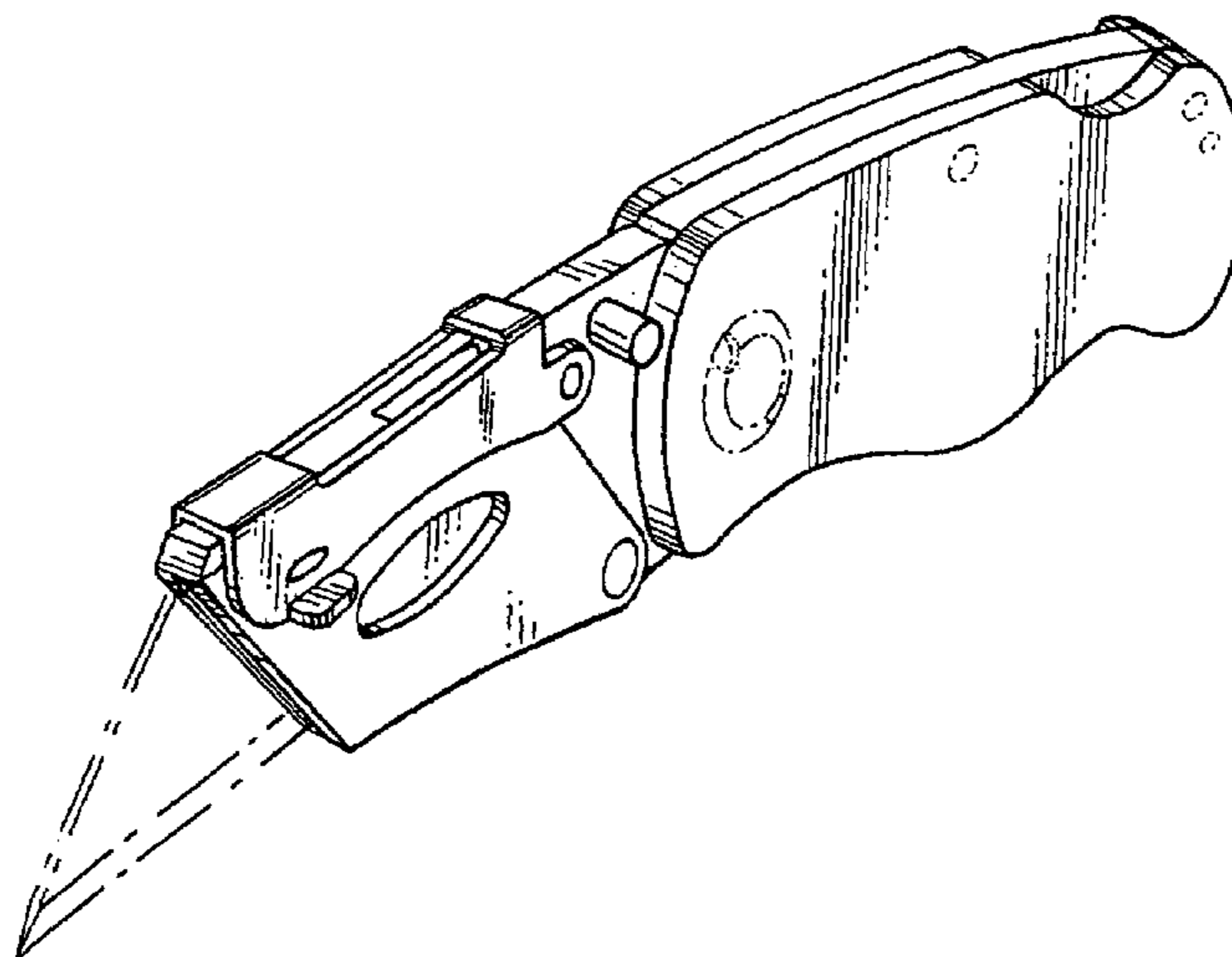
FIG. 7 is a left side elevation view thereof;

FIG. 8 is a right side elevation view thereof in a partially folded position; and,

FIG. 9 is a side view showing the knife in a fully folded position.

The broken line portions of the disclosure are included for the purpose of illustrating environmental structure that form no part of the claimed design.

1 Claim, 4 Drawing Sheets



US D552,955 S

Page 2

U.S. PATENT DOCUMENTS

2,523,575	A	9/1950	Kassel
2,914,850	A	12/1959	Kuhnl
2,980,996	A	4/1961	Beran
3,306,297	A	2/1967	Woorhees
3,568,315	A	3/1971	Smith
3,593,417	A	7/1971	West
3,872,591	A	3/1975	Quenot
4,017,969	A	4/1977	Stnebraker
4,040,181	A	8/1977	Johnson
4,261,104	A	4/1981	Cuscovitch
4,347,665	A	9/1982	Glesser
4,442,600	A	4/1984	Felix-Salichow
4,570,341	A	2/1986	Konneker
4,604,805	A	8/1986	Krieger
4,665,615	A	5/1987	Martinez
4,669,188	A	6/1987	Evrell
4,719,700	A	1/1988	Taylor, Jr.
4,805,303	A	2/1989	Gibbs
4,811,486	A	3/1989	Cunningham
4,920,644	A	5/1990	La Gattuta
4,936,014	A	6/1990	Shaanan et al.
5,044,079	A	9/1991	Gibbs
5,095,624	A	3/1992	Ennis
5,125,157	A	6/1992	Howard
5,400,509	A	3/1995	Collins
5,511,310	A	4/1996	Sessions
5,769,094	A	6/1998	Jenkins, Jr.
5,815,927	A	10/1998	Collins
5,826,340	A	10/1998	Hull
5,966,816	A	10/1999	Roberson
5,979,059	A	11/1999	Leatherman
6,170,104	B1	1/2001	Seber
6,170,158	B1	1/2001	Daily
6,256,887	B1	7/2001	Osborne
6,256,888	B1	7/2001	Shuen
6,263,581	B1	7/2001	Forte

6,354,007	B1	3/2002	Scarla
6,370,778	B1	4/2002	Conable
6,446,341	B1	9/2002	Wang
6,487,740	B2	12/2002	Seber
D474,669	S	5/2003	Onion
6,574,868	B1	6/2003	Overholt
6,688,003	B2	2/2004	Scarla
D494,437	S	8/2004	Scarla
D495,939	S	9/2004	Ping
D501,782	S	2/2005	Ping
6,915,577	B2	7/2005	Scarla
D510,250	S	10/2005	Ping
6,968,622	B2	11/2005	Ping
D516,403	S	3/2006	Ping
D517,893	S	3/2006	Ping
7,007,392	B2	3/2006	Ping
D519,019	S	4/2006	Ping
7,040,022	B2	5/2006	Ping
D522,835	S	6/2006	Ping
D526,877	S	8/2006	Ping
D526,878	S	8/2006	Ping
D528,894	S	9/2006	Ping
D528,895	S	9/2006	Ping
7,134,207	B2	11/2006	Ping
2002/0059730	A1	5/2002	Flavigny
2004/0020057	A1	2/2004	Hughes
2004/0045171	A1	3/2004	Moizis
2004/0103541	A1	6/2004	Scarla

FOREIGN PATENT DOCUMENTS

CN	200420008852.7	3/2004
CN	200420020589.3	3/2004
CN	200420020590.6	3/2004
CN	200420020591.0	3/2004
CN	200420008854.6	3/2006
WO	WO90/08633	8/1990

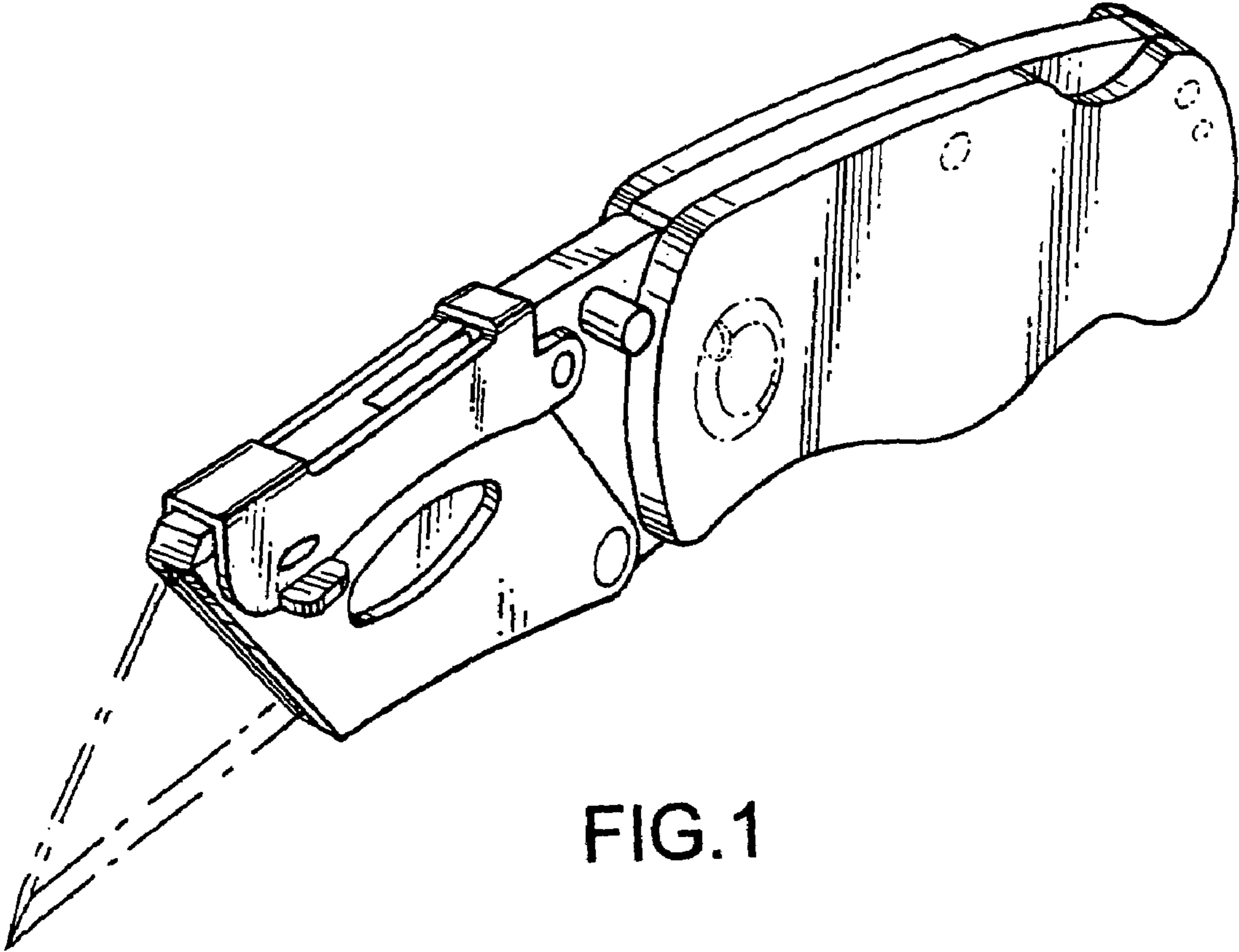


FIG. 1

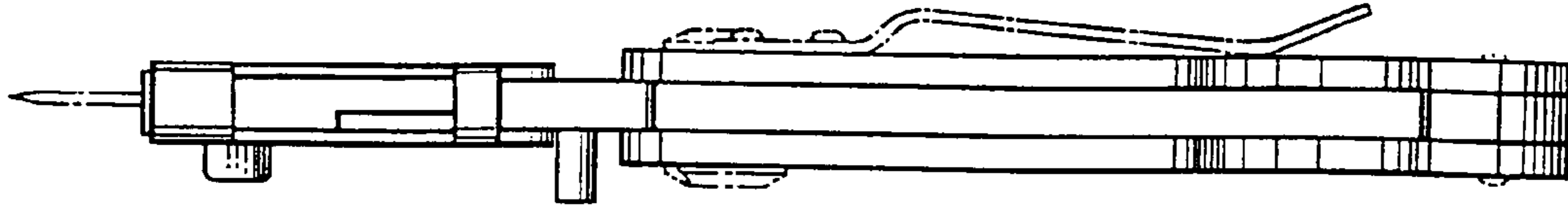


FIG. 2

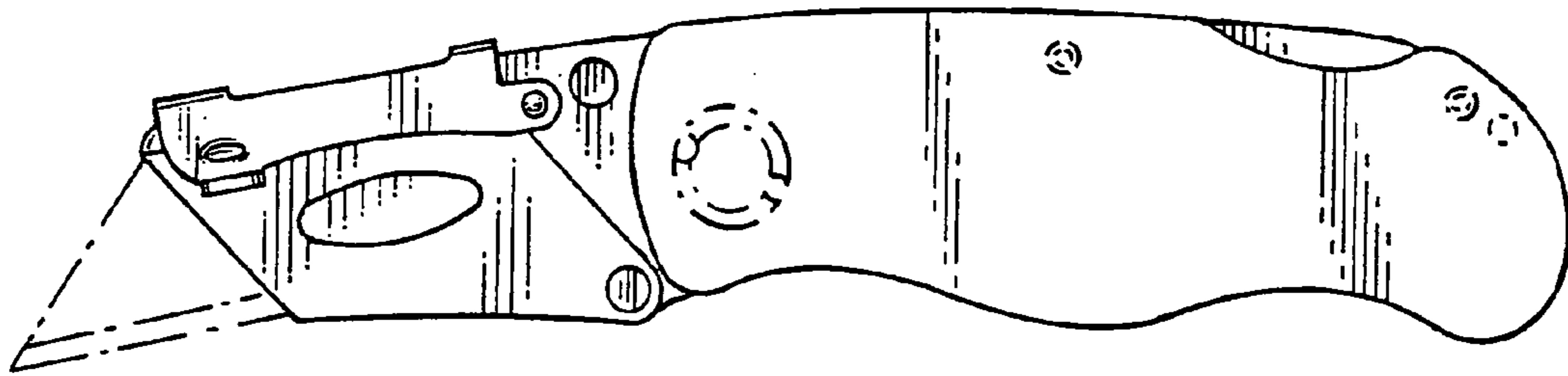


FIG. 3

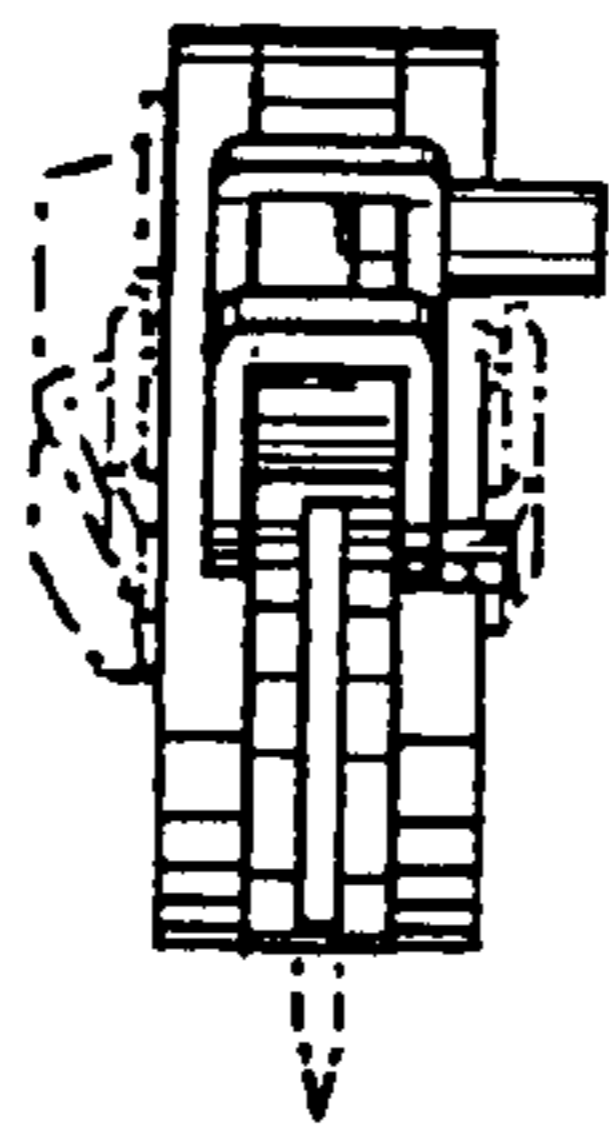


FIG. 4

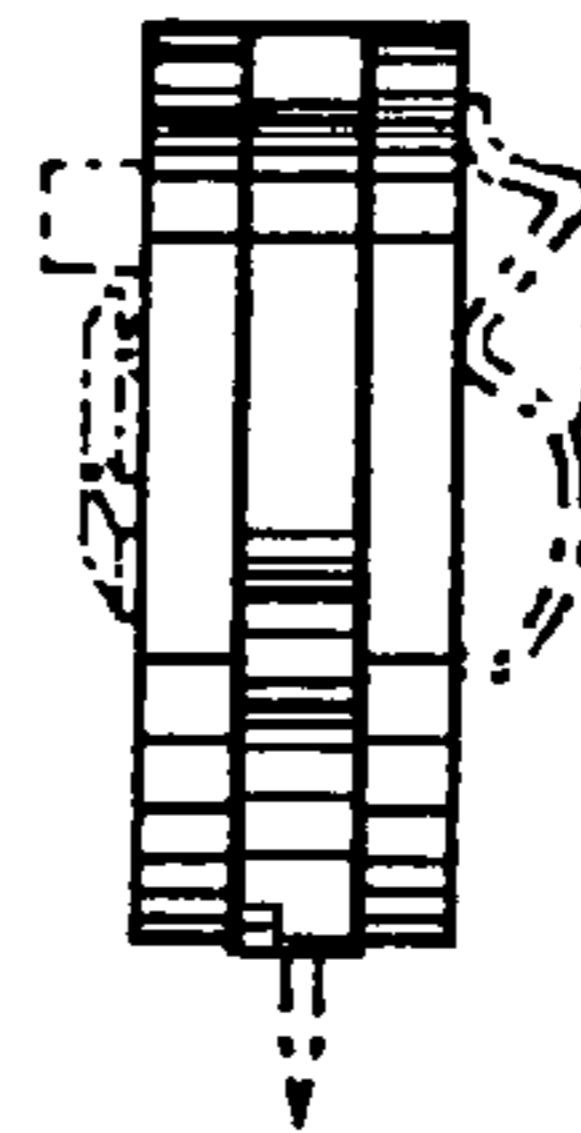


FIG. 5

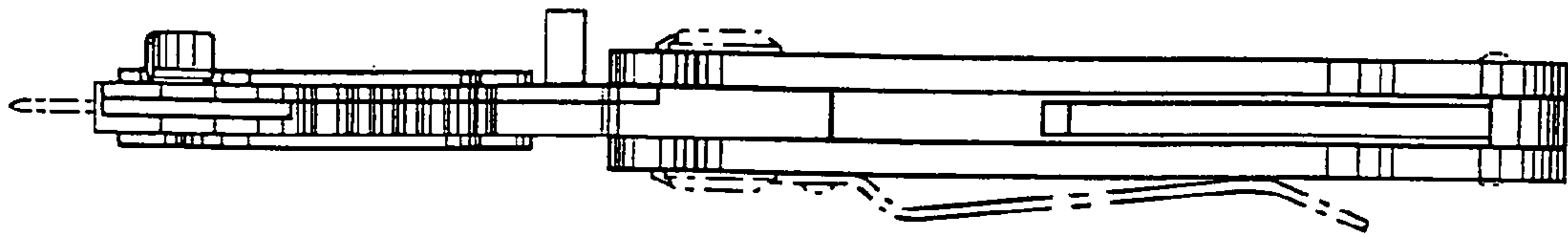


FIG. 6

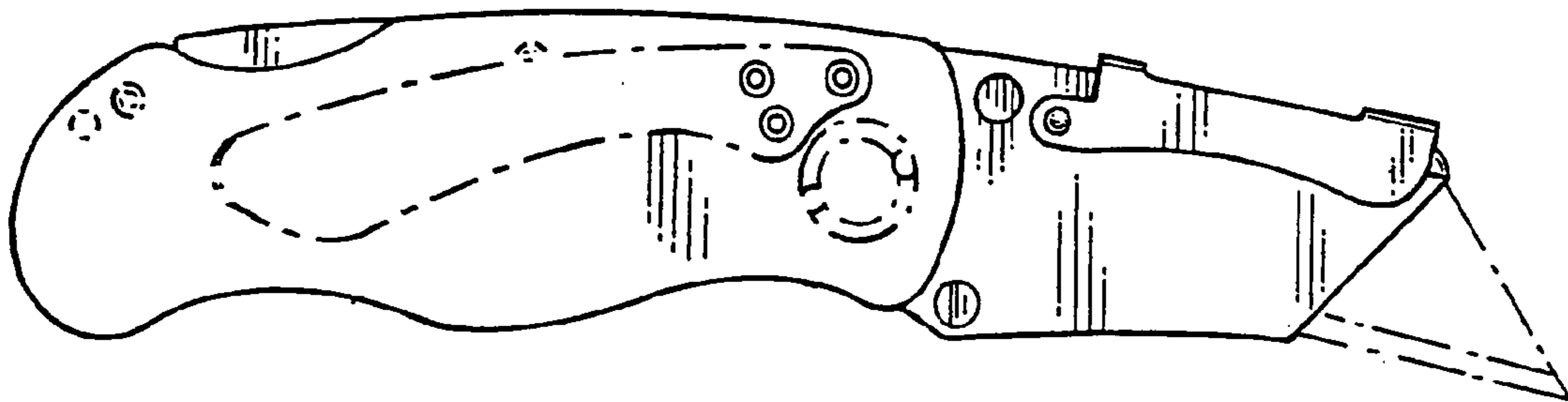


FIG. 7

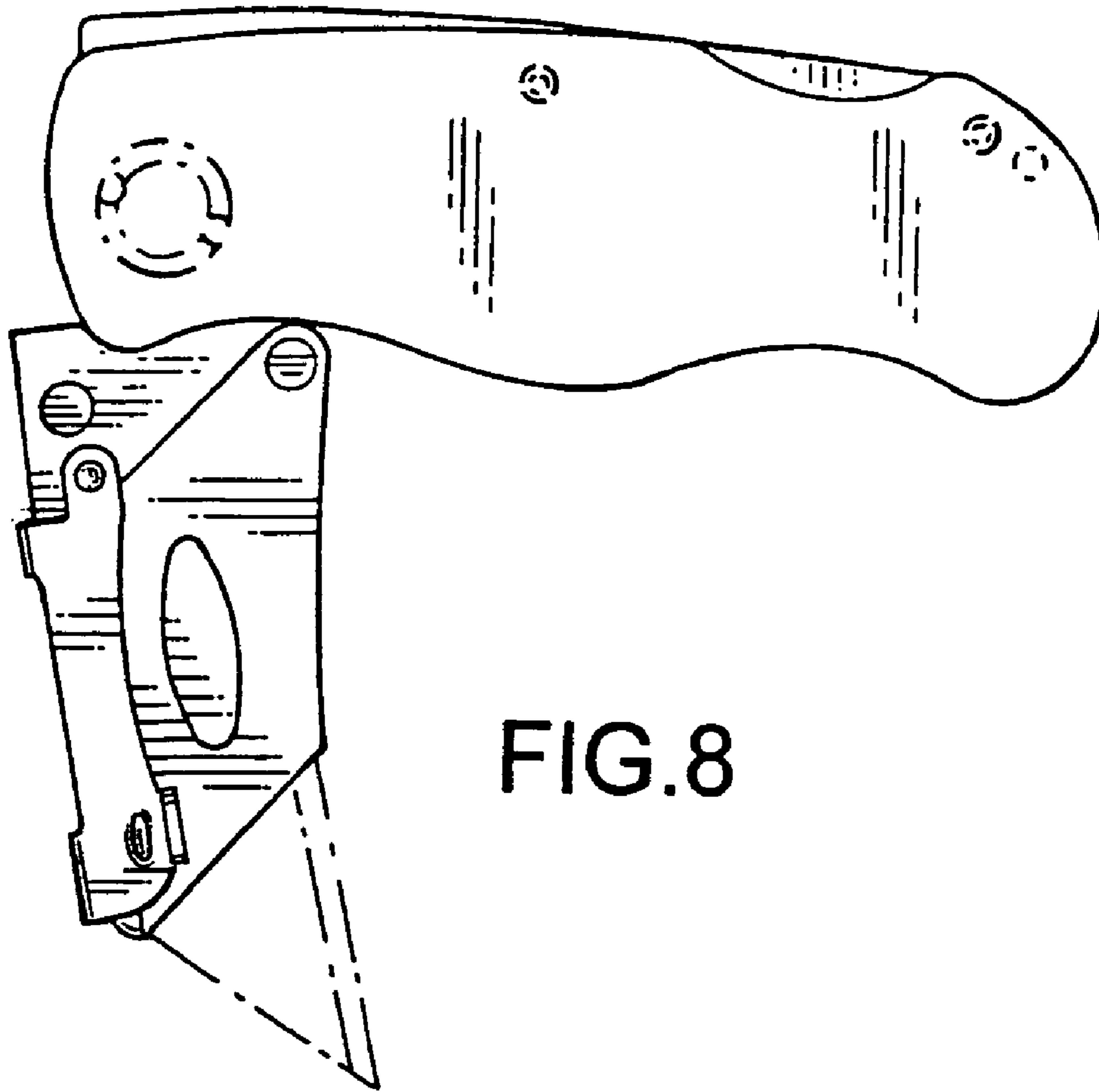


FIG. 8

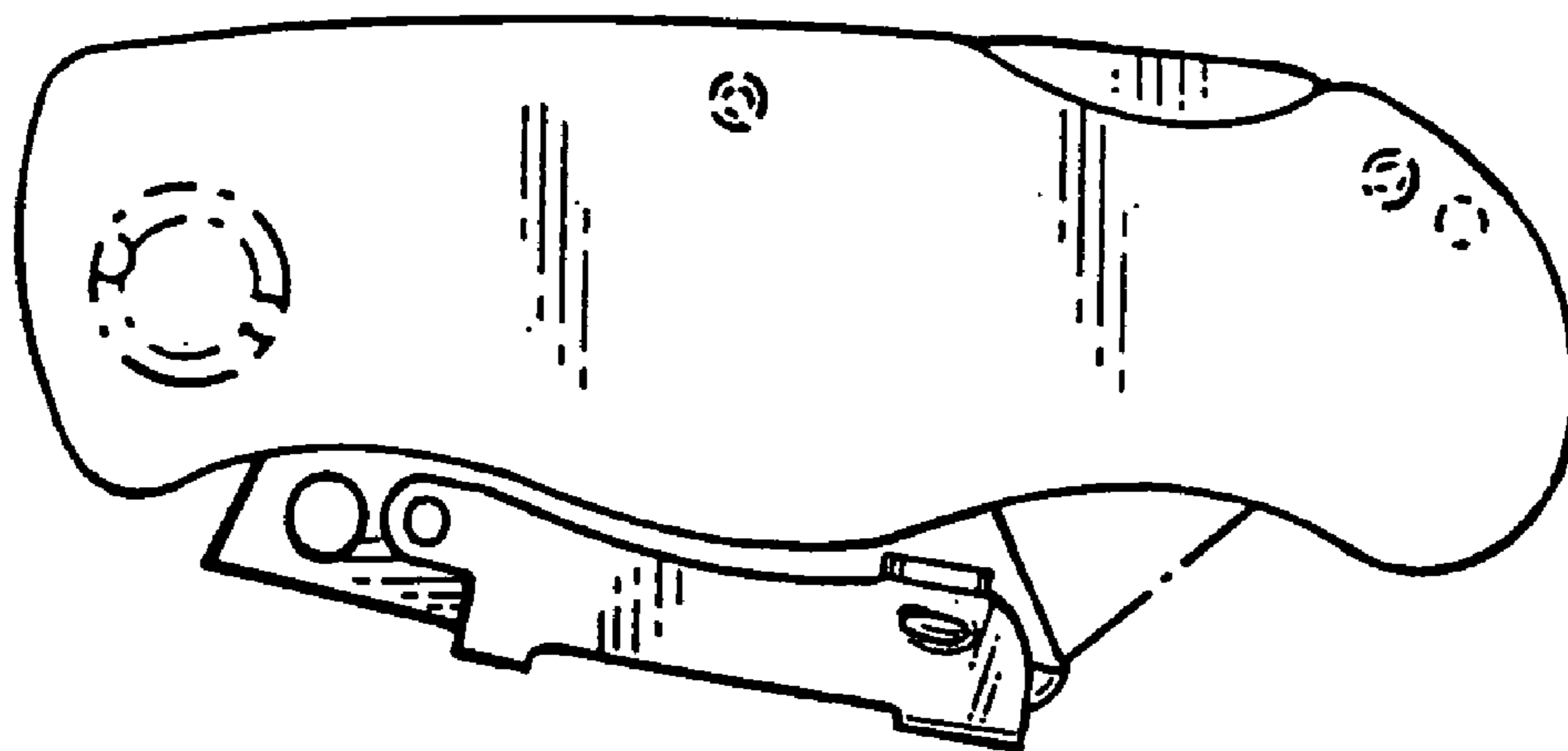


FIG. 9