



US00D552951S

(12) **United States Design Patent** (10) **Patent No.:** **US D552,951 S**
Shor (45) **Date of Patent:** **** Oct. 16, 2007**

(54) **STAPLE GUN TACKER**

(75) Inventor: **Ilya Shor**, Brooklyn, NY (US)

(73) Assignee: **Arrow Fastener Co., Inc.**, Saddle Brook, NJ (US)

(**) Term: **14 Years**

(21) Appl. No.: **29/267,182**

(22) Filed: **Oct. 6, 2006**

(51) **LOC (8) Cl.** **08-01**

(52) **U.S. Cl.** **D8/50**

(58) **Field of Classification Search** D8/49,
D8/50, 61; D19/72; 227/120, 127, 128,
227/131, 132, 134, 156

See application file for complete search history.

(56) **References Cited**

U.S. PATENT DOCUMENTS

2,657,384	A *	11/1953	Boroughs	227/132
D319,762	S *	9/1991	Chi	D8/49
5,165,587	A	11/1992	Marks		
5,328,075	A	7/1994	Marks		
5,407,118	A	4/1995	Marks		
5,427,299	A	6/1995	Marks		
D360,566	S	7/1995	Marks et al.		
5,497,932	A	3/1996	Brewer et al.		
5,505,362	A	4/1996	Marks		
5,511,716	A	4/1996	Marks		
5,622,258	A	4/1997	Baublitz et al.		
D384,257	S	9/1997	Marks et al.		
D384,258	S	9/1997	Marks et al.		
5,664,722	A	9/1997	Marks		
5,699,949	A	12/1997	Marks		
5,765,742	A	6/1998	Marks		
5,816,470	A	10/1998	Plato et al.		

D411,422	S *	6/1999	Juhlin et al.	D8/49
5,988,478	A	11/1999	Marks		
D419,411	S *	1/2000	Elie	D8/49
6,065,237	A *	5/2000	Hillesland	42/1.09
6,131,788	A	10/2000	Marks		
6,145,728	A	11/2000	Marks		
D454,289	S *	3/2002	Huang	D8/49
D466,773	S *	12/2002	Lin	D8/49
6,789,719	B2 *	9/2004	Shor	227/132
D517,385	S *	3/2006	Arns	D8/49
D518,695	S *	4/2006	Hu	D8/49

* cited by examiner

Primary Examiner—Cathron C. Brooks

Assistant Examiner—Austin Murphy

(74) *Attorney, Agent, or Firm*—Leon E. Redman; Lloyd D. Doigan

(57) **CLAIM**

The ornamental design for a staple gun tacker, as shown and described.

DESCRIPTION

FIG. 1 is a rear perspective view of a staple gun tacker showing my new design;

FIG. 2 is a top plan view thereof;

FIG. 3 is a bottom plan view thereof, the broken line showing of a portion of the bottom of the staple gun tacker is for illustrative purposes and forms no part of the claimed design;

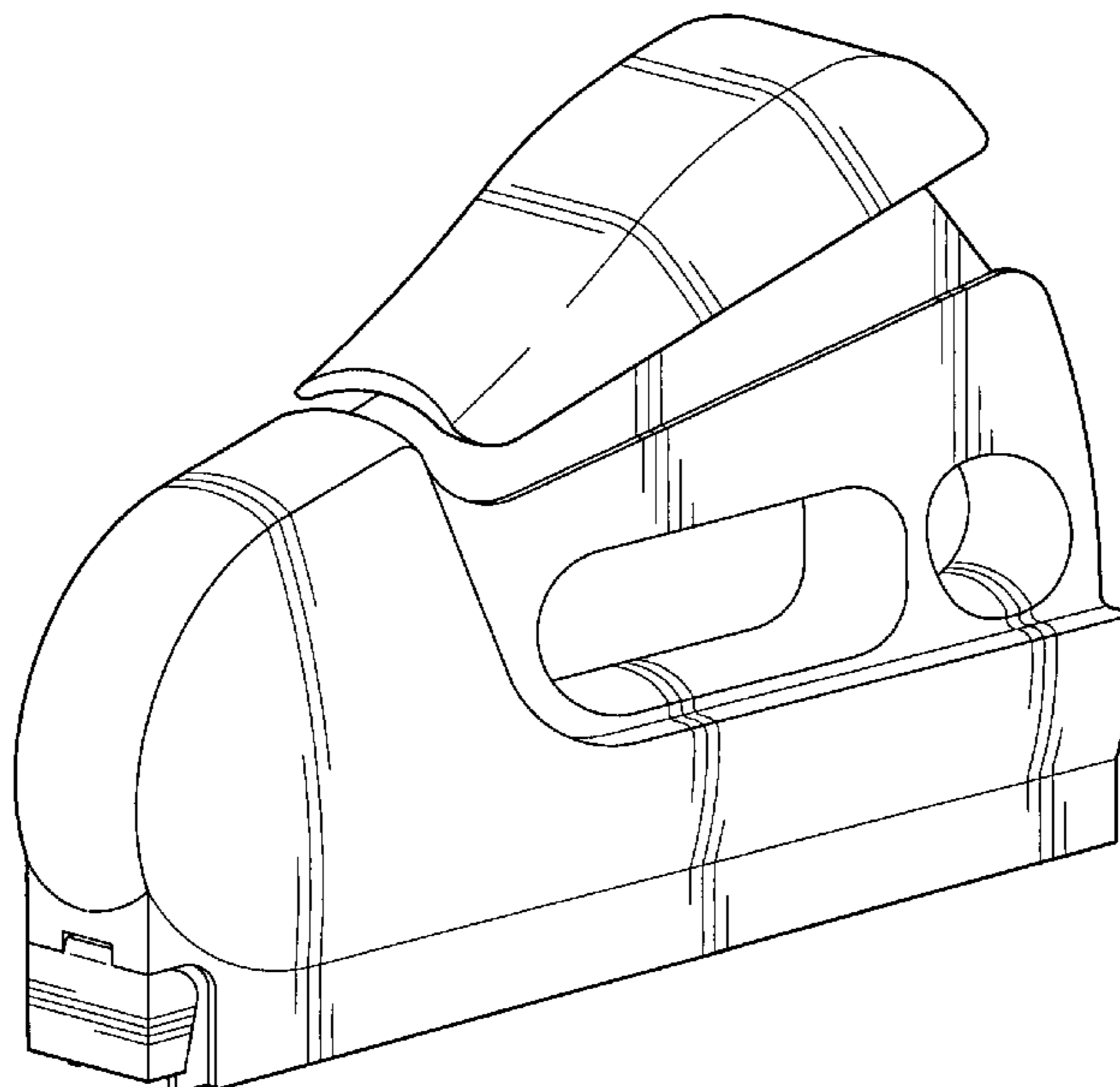
FIG. 4 is a left side elevational view thereof;

FIG. 5 is a right side elevational view thereof;

FIG. 6 is a rear elevational view thereof; and,

FIG. 7 is a front elevational view thereof.

1 Claim, 4 Drawing Sheets



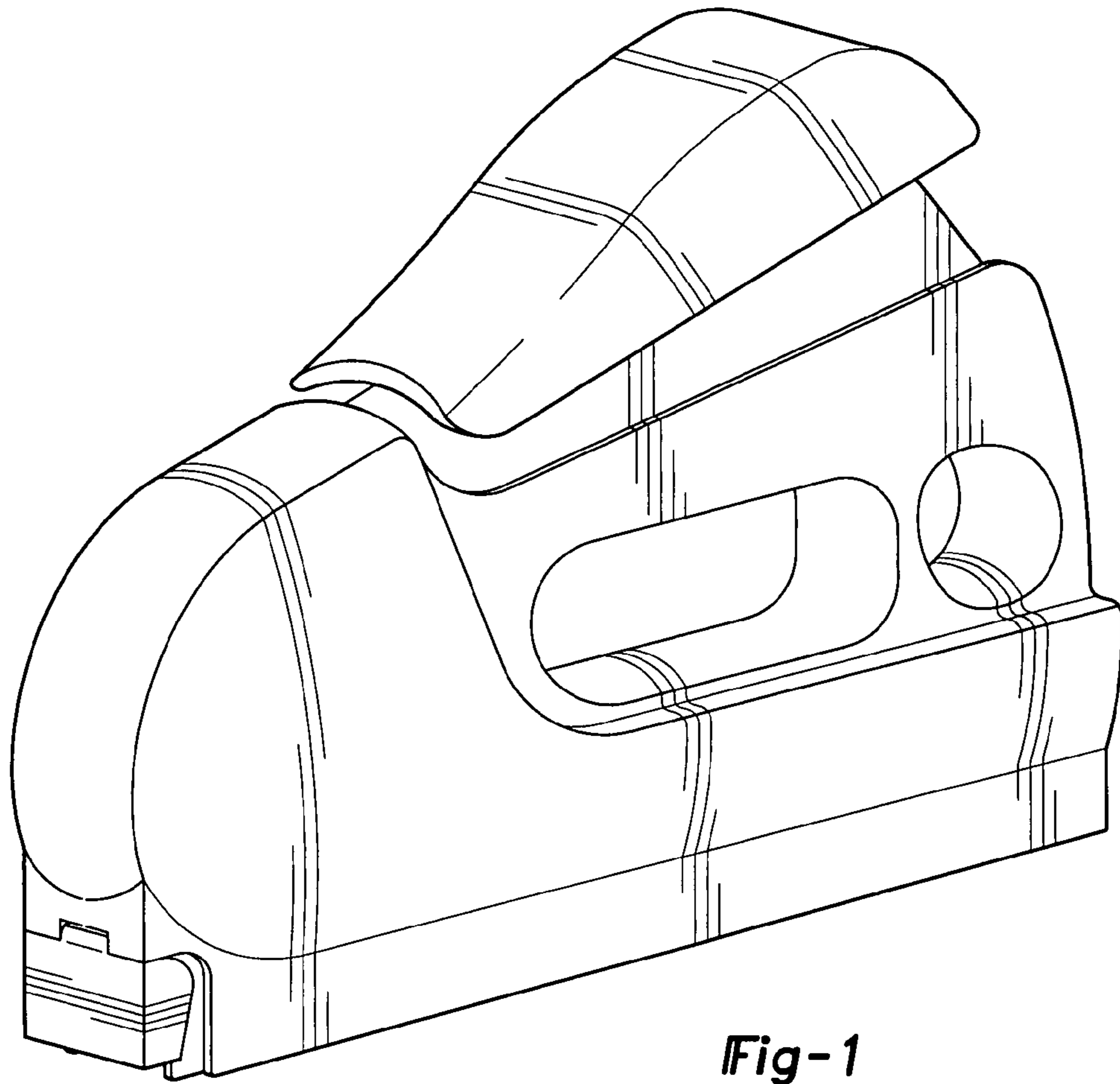


Fig-1

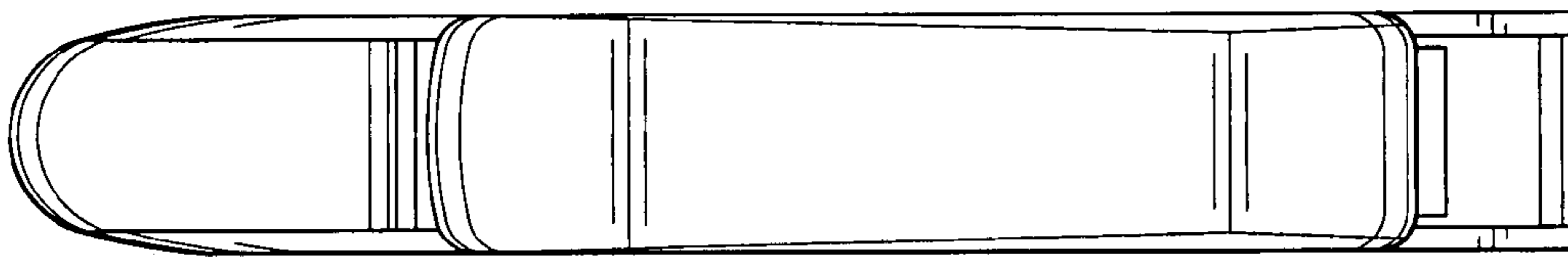


Fig-2

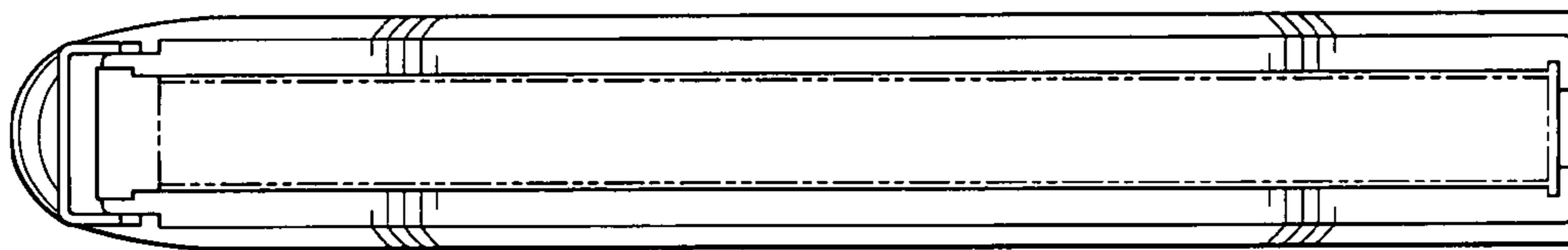


Fig-3

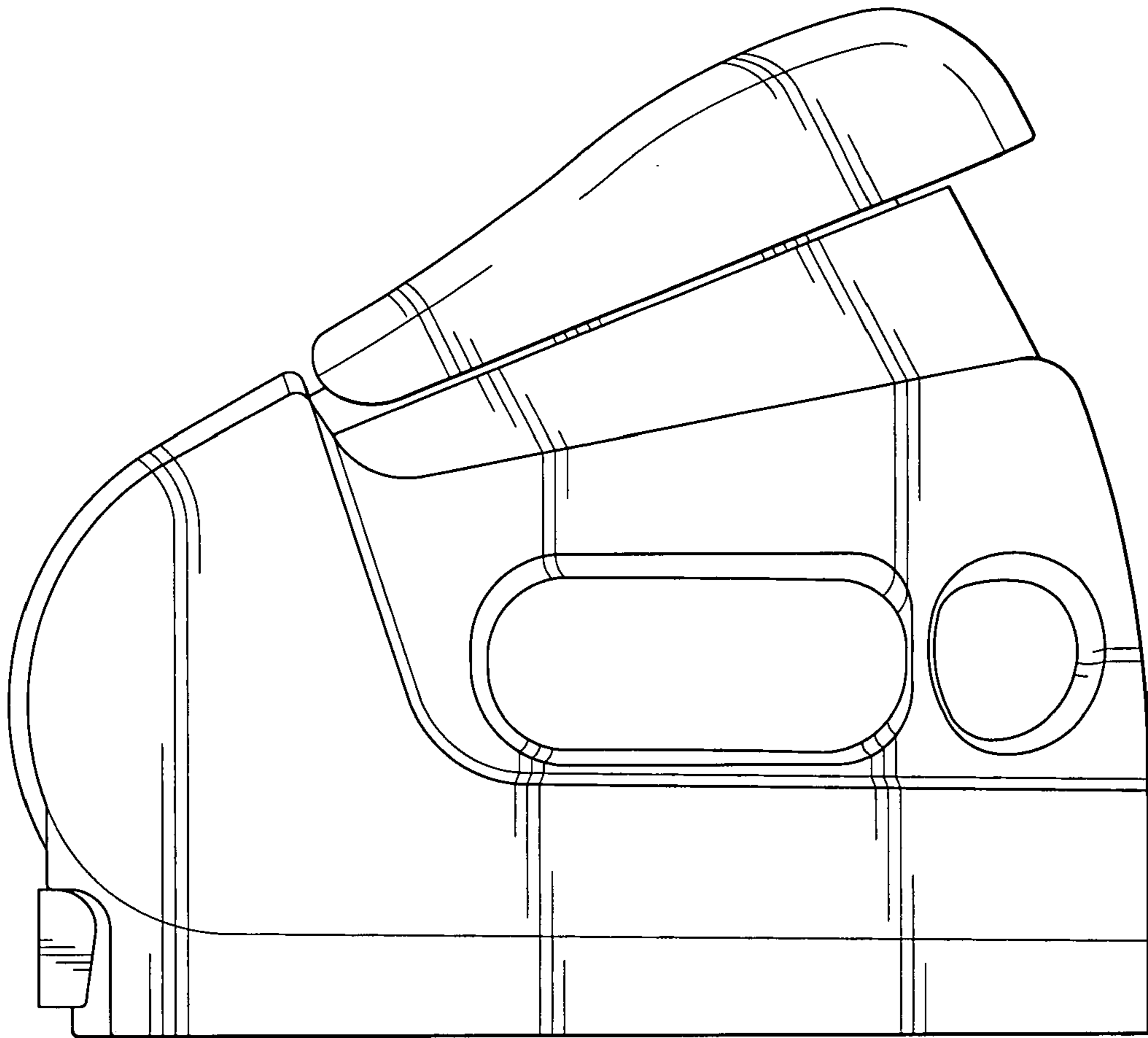


Fig-4

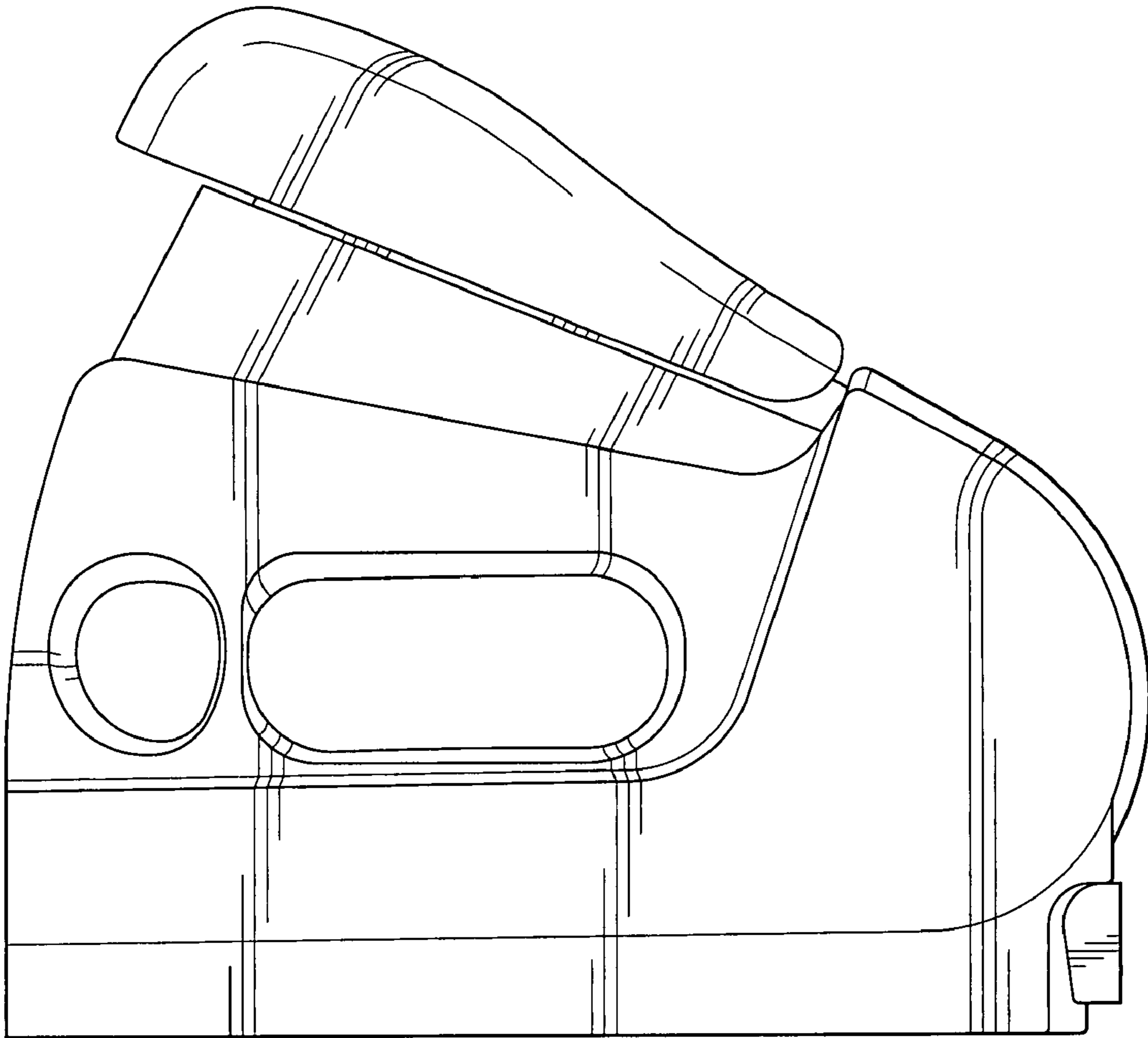


Fig-5

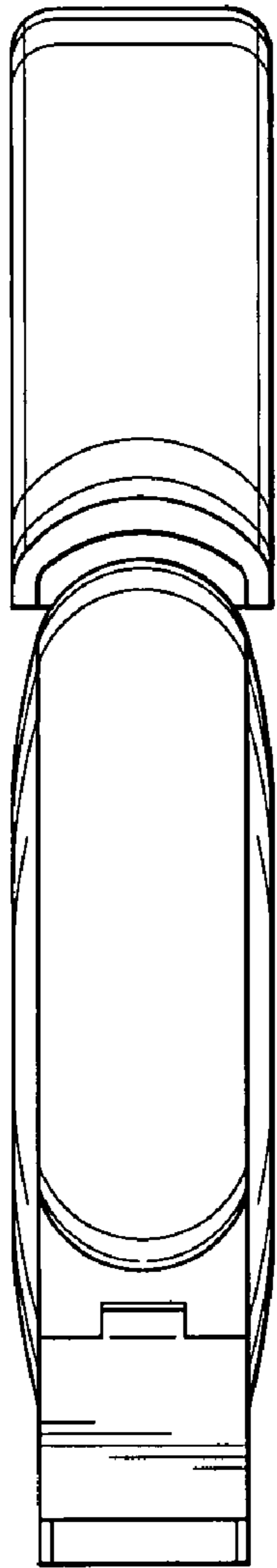


Fig-6

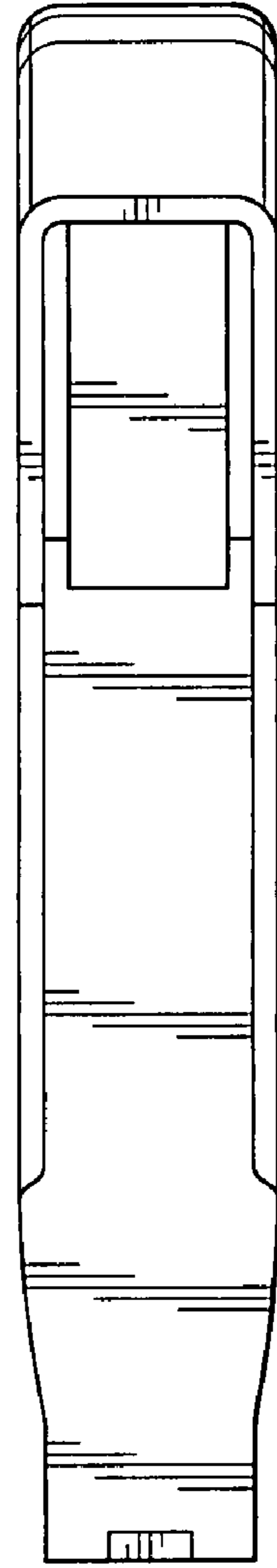


Fig-7