



US00D552950S

(12) **United States Design Patent**  
**Hsieh**

(10) **Patent No.:** **US D552,950 S**

(45) **Date of Patent:** **\*\* Oct. 16, 2007**

(54) **HAND PULLER**

(76) Inventor: **Ching-Fong Hsieh**, P.O. Box 697,  
Fongyuan City 420, Taichung County  
(TW)

(\*\*) Term: **14 Years**

(21) Appl. No.: **29/240,149**

(22) Filed: **Oct. 11, 2005**

(51) **LOC (8) Cl.** ..... **08-05**

(52) **U.S. Cl.** ..... **D8/44**

(58) **Field of Classification Search** ..... D8/14,  
D8/51, 44; 29/278; 254/218, 221, 237,  
254/243; 74/551.9

See application file for complete search history.

(56) **References Cited**

**U.S. PATENT DOCUMENTS**

2,506,029	A *	5/1950	Maasdam	.....	254/218
4,199,134	A *	4/1980	Kerber et al.	.....	254/369
4,235,420	A *	11/1980	Ross et al.	.....	254/218
6,076,805	A *	6/2000	Messersmith	.....	254/218
6,508,456	B2 *	1/2003	Hulburd et al.	.....	254/218
6,908,073	B1 *	6/2005	Hsien	.....	254/218

D530,997 S \* 10/2006 Hsieh ..... D8/44  
2004/0169170 A1 \* 9/2004 Hernandez, Jr. .... 254/243

**OTHER PUBLICATIONS**

Printout from google image search for cable puller.\*

\* cited by examiner

*Primary Examiner*—Philip S. Hyder

(57) **CLAIM**

The ornamental design for a hand puller, as shown.

**DESCRIPTION**

FIG. 1 is a perspective view of a hand puller showing my new design;

FIG. 2 is a right side elevational view thereof;

FIG. 3 is a top plan view thereof;

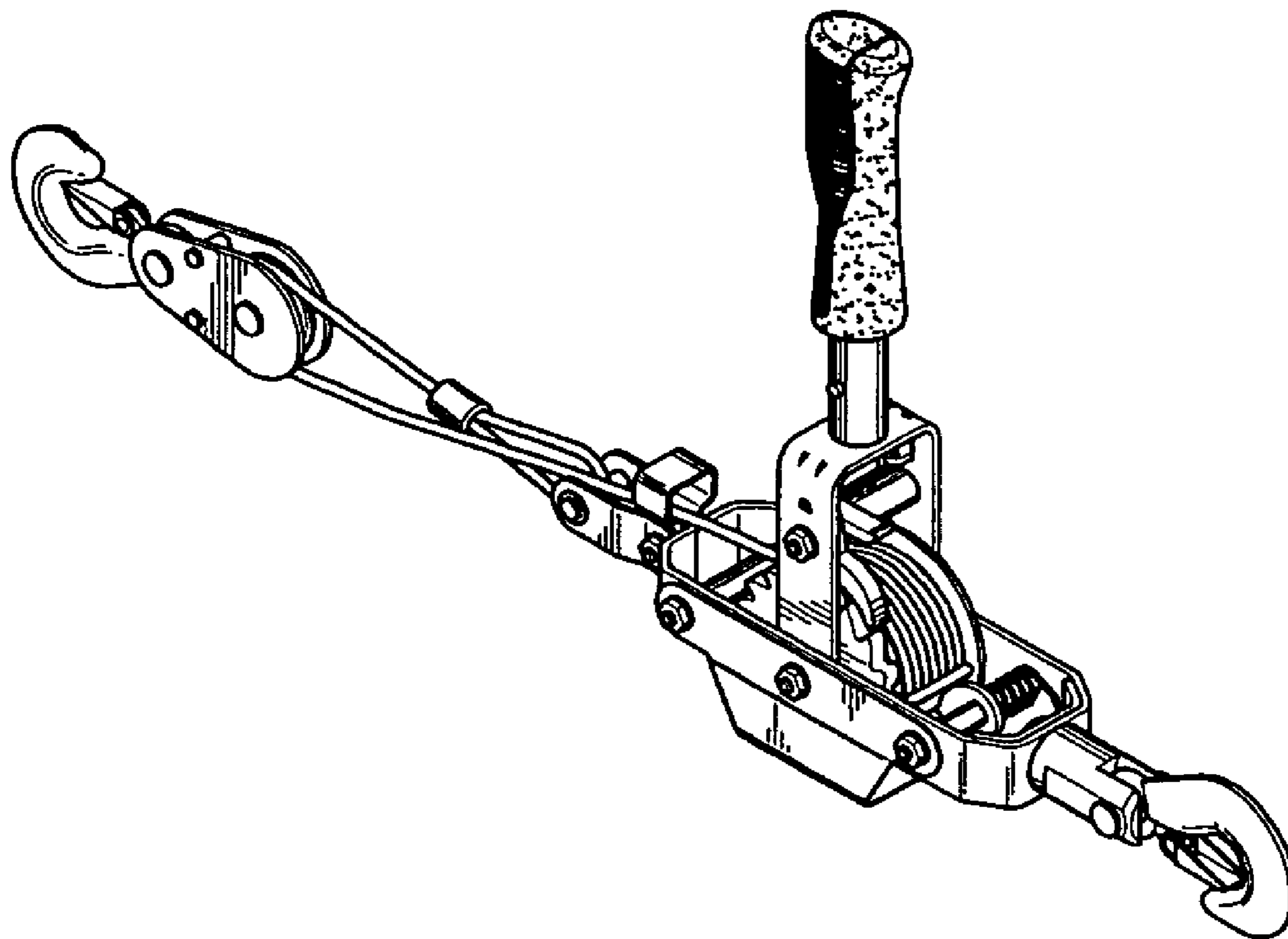
FIG. 4 is a front elevational view thereof;

FIG. 5 is a bottom plan view thereof;

FIG. 6 is a left side elevational view thereof; and,

FIG. 7 is a rear elevational view thereof.

**1 Claim, 4 Drawing Sheets**



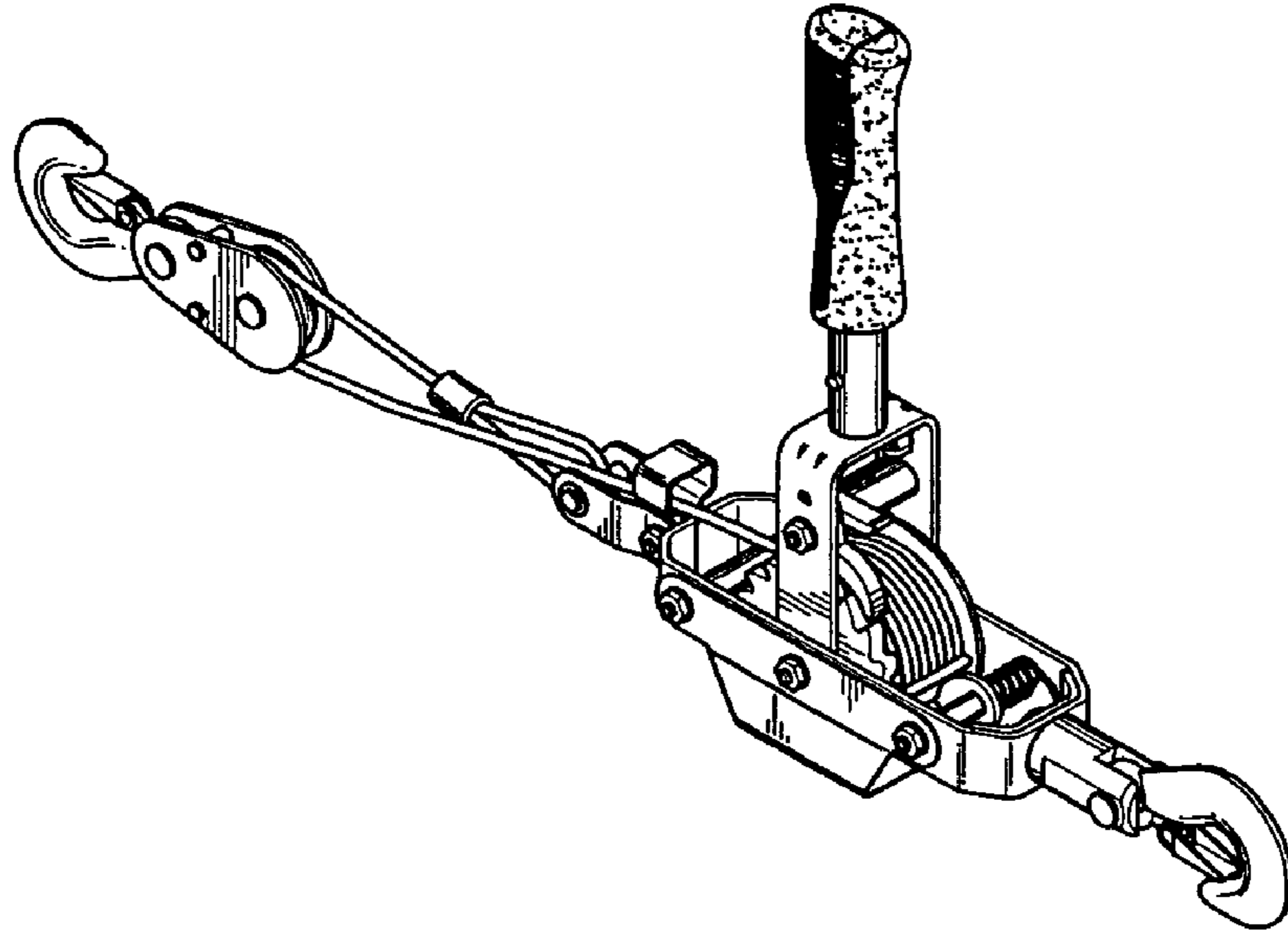


FIG. 1

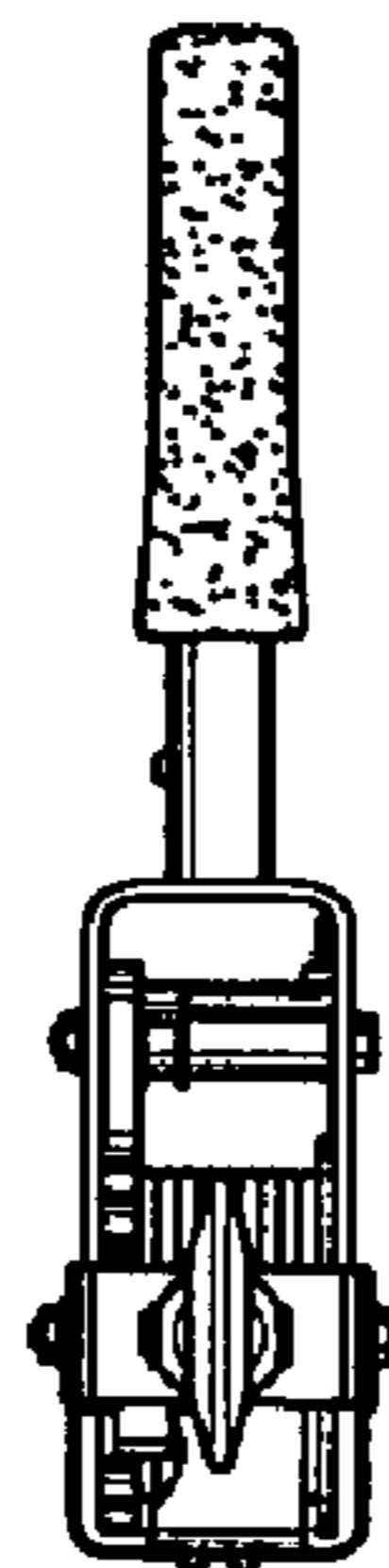


FIG. 2

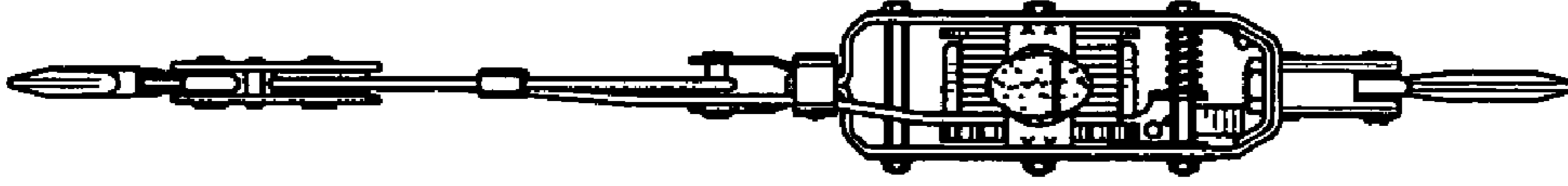


FIG. 3

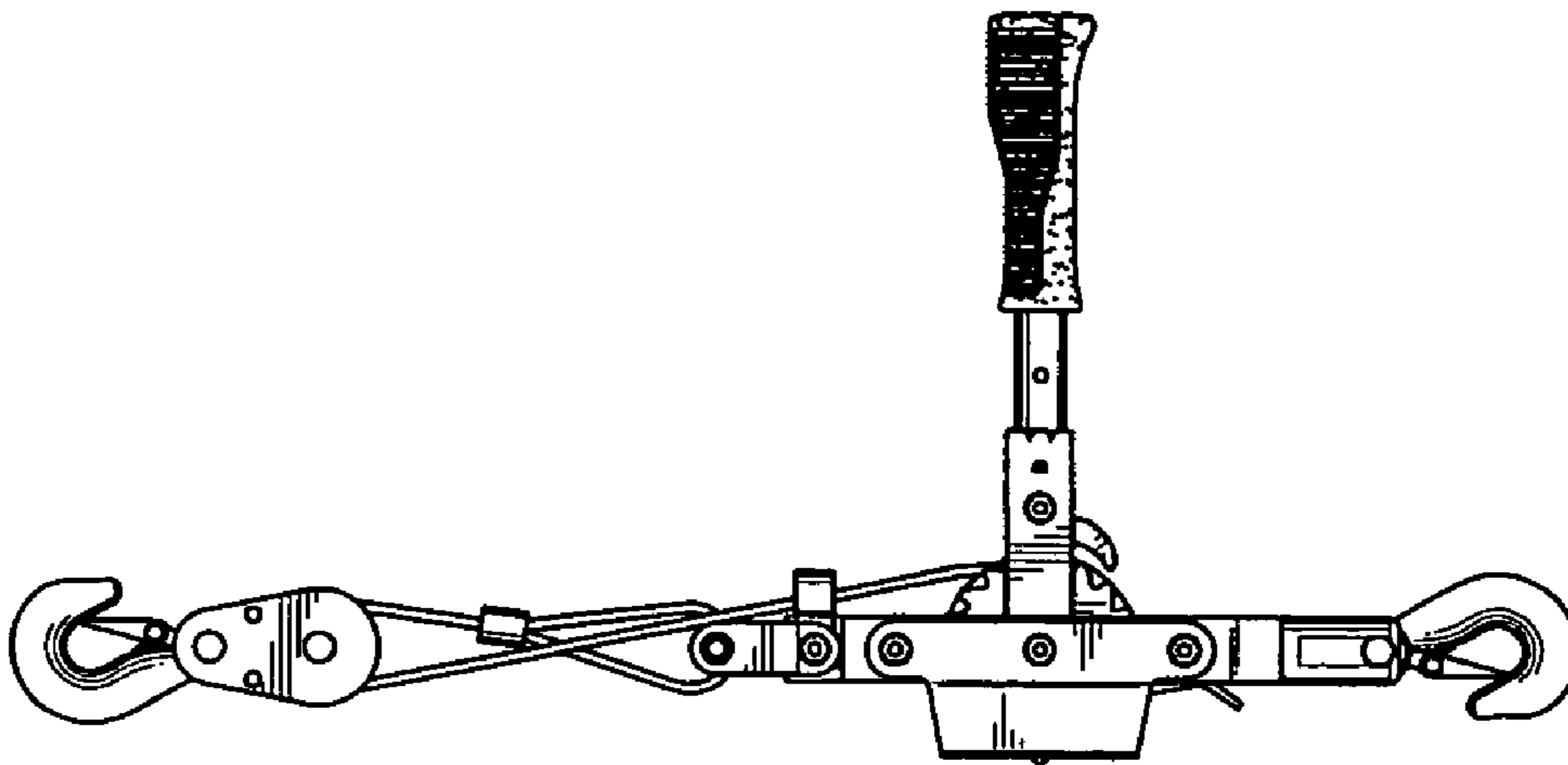


FIG. 4

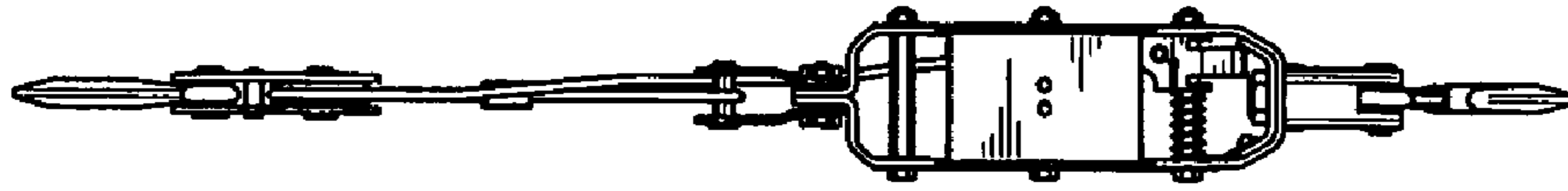


FIG. 5

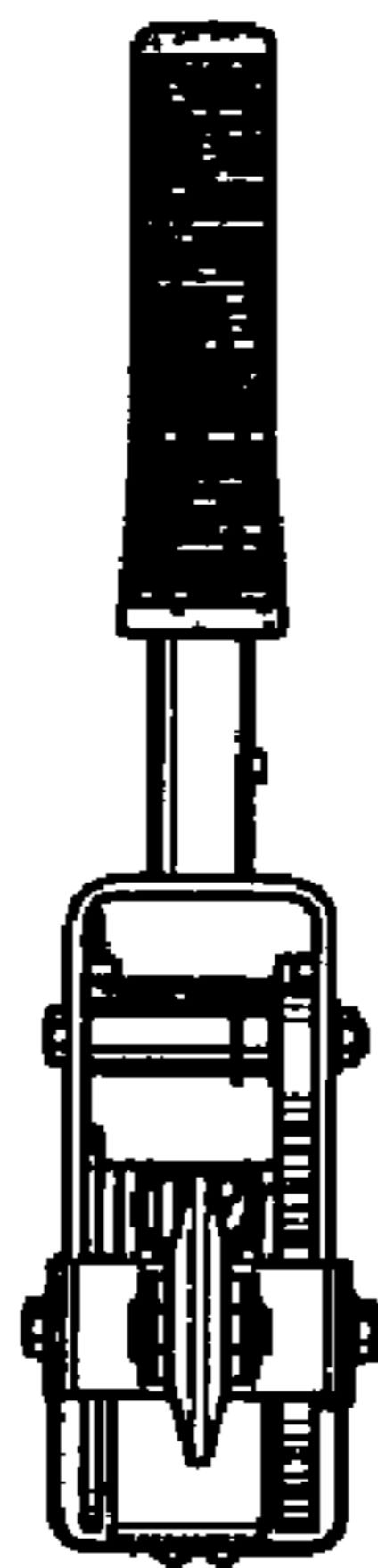


FIG. 6

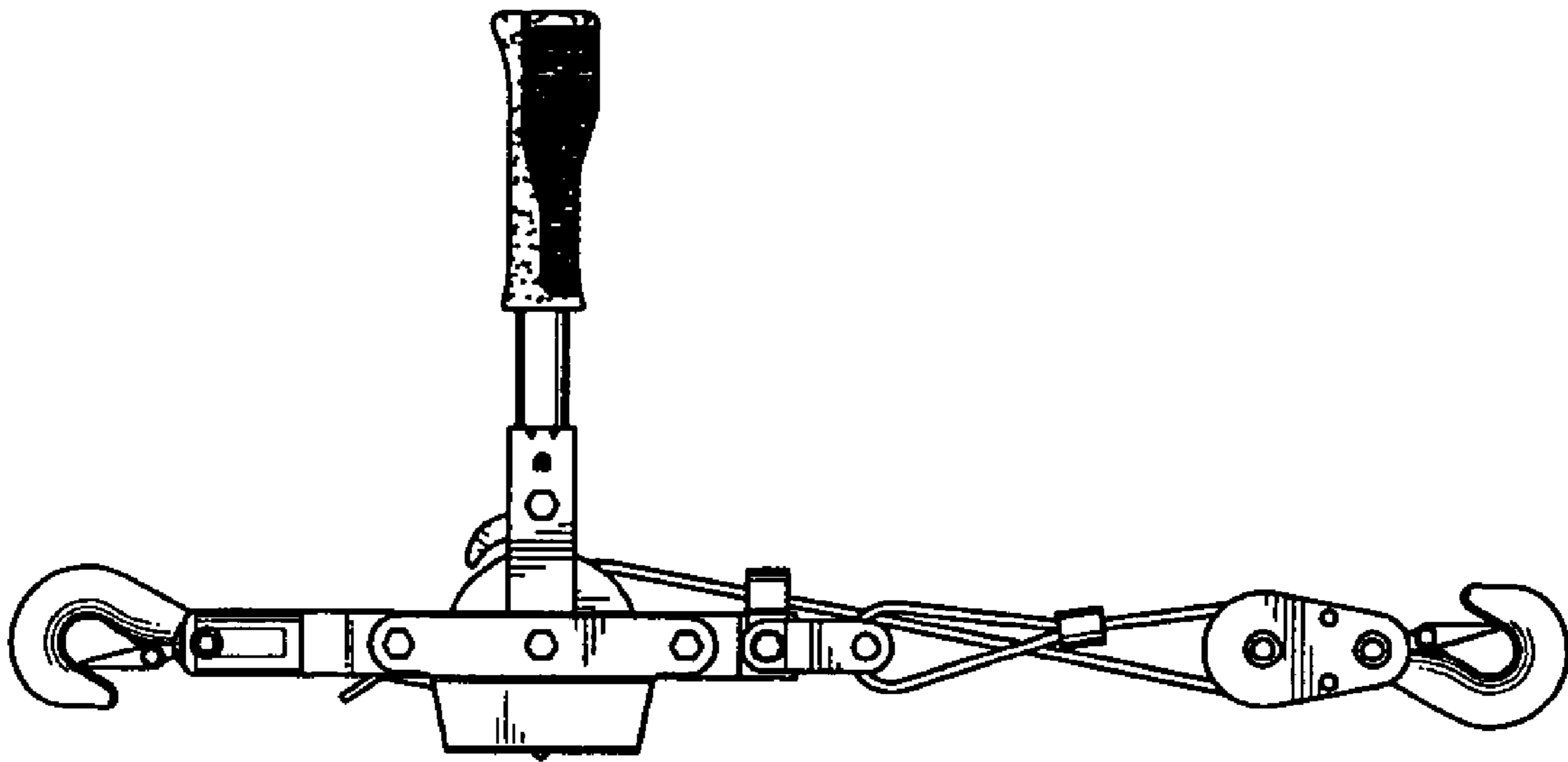


FIG. 7