



US00D552949S

(12) **United States Design Patent**  
**Strahorn**

(10) **Patent No.:** **US D552,949 S**

(45) **Date of Patent:** **\*\* Oct. 16, 2007**

(54) **T-HANDLE HEX WRENCH**

5,822,830 A 10/1998 Lin ..... 16/111 R  
D409,463 S \* 5/1999 McMullin ..... D8/25  
6,151,998 A 11/2000 Fu-Hui ..... 81/177.4

(75) Inventor: **Bradley S. Strahorn**, St. Louis, MO  
(US)

(Continued)

(73) Assignee: **Easco Hand Tools, Inc.**, Simsbury, CT  
(US)

**OTHER PUBLICATIONS**

T-Handle Hex Wrench, Figures 1 and 2.  
Chaparral Motorsports Catalog, dated 2003.  
Grizzly Industrial Catalog dated 2003, p. 188.  
Bailey's Catalog dated 2004, p. 17.

(\*\*) Term: **14 Years**

*Primary Examiner*—Raphael Barkai  
*Assistant Examiner*—Randall H Gholson

(21) Appl. No.: **29/255,140**

(22) Filed: **Mar. 3, 2006**

(74) *Attorney, Agent, or Firm*—Nelson Mullins Riley &  
Scarborough, LLP

(51) **LOC (8) Cl.** ..... **08-05**

(52) **U.S. Cl.** ..... **D8/21**

(58) **Field of Classification Search** ..... D8/17-29,  
D8/52, 55, 81-87, 102-107, 98-99, 93, 94;  
81/119, 121.1, 86, 124.2, 125, 125.1, 176.1,  
81/176.2, 177.1, 177.2, 177.3, 177.85, 124.3,  
81/124.7, 176.3, 58.4, 186, 58.3, 300, 58.1,  
81/60, 63.1, 121.7, 436, 437, 165, 418, 166,  
81/168, 169, 170, 179, 160, 3.57, 3.55; 16/422,  
16/429; 140/119

(57) **CLAIM**

See application file for complete search history.

The ornamental design of a T-handle hex wrench, substan-  
tially as shown and described.

**DESCRIPTION**

(56) **References Cited**

**U.S. PATENT DOCUMENTS**

2,346,364 A *	4/1944	Dowe	279/83
D217,324 S	4/1970	Michels	D8/29
3,651,718 A *	3/1972	Thomasian	81/480
3,672,419 A *	6/1972	Fischer	81/460
3,958,469 A	5/1976	Meese	81/58.3
4,238,978 A	12/1980	Leone	81/480
D285,769 S	9/1986	Flory et al.	D8/31
4,926,721 A	5/1990	Hsiao	81/177.4
D339,048 S *	9/1993	Baum	D8/107
D339,279 S	9/1993	Baum	D8/83
5,421,225 A	6/1995	Chen	81/490
D377,444 S *	1/1997	Lin	D8/107
D378,797 S	4/1997	Poremba et al.	D8/107
D392,535 S	3/1998	Vasudeva et al.	D8/83
D394,794 S	6/1998	Vasudeva	D8/107

FIG. 1 is a perspective view of a T-handle hex wrench  
embodying the design of the present invention;

FIG. 2 is a front elevation view of the T-handle hex wrench  
illustrated in FIG. 1;

FIG. 3 is a back elevation view of the T-handle hex wrench  
shown in FIG. 1;

FIG. 4 is a left side view of the T-handle hex wrench shown  
in FIG. 1;

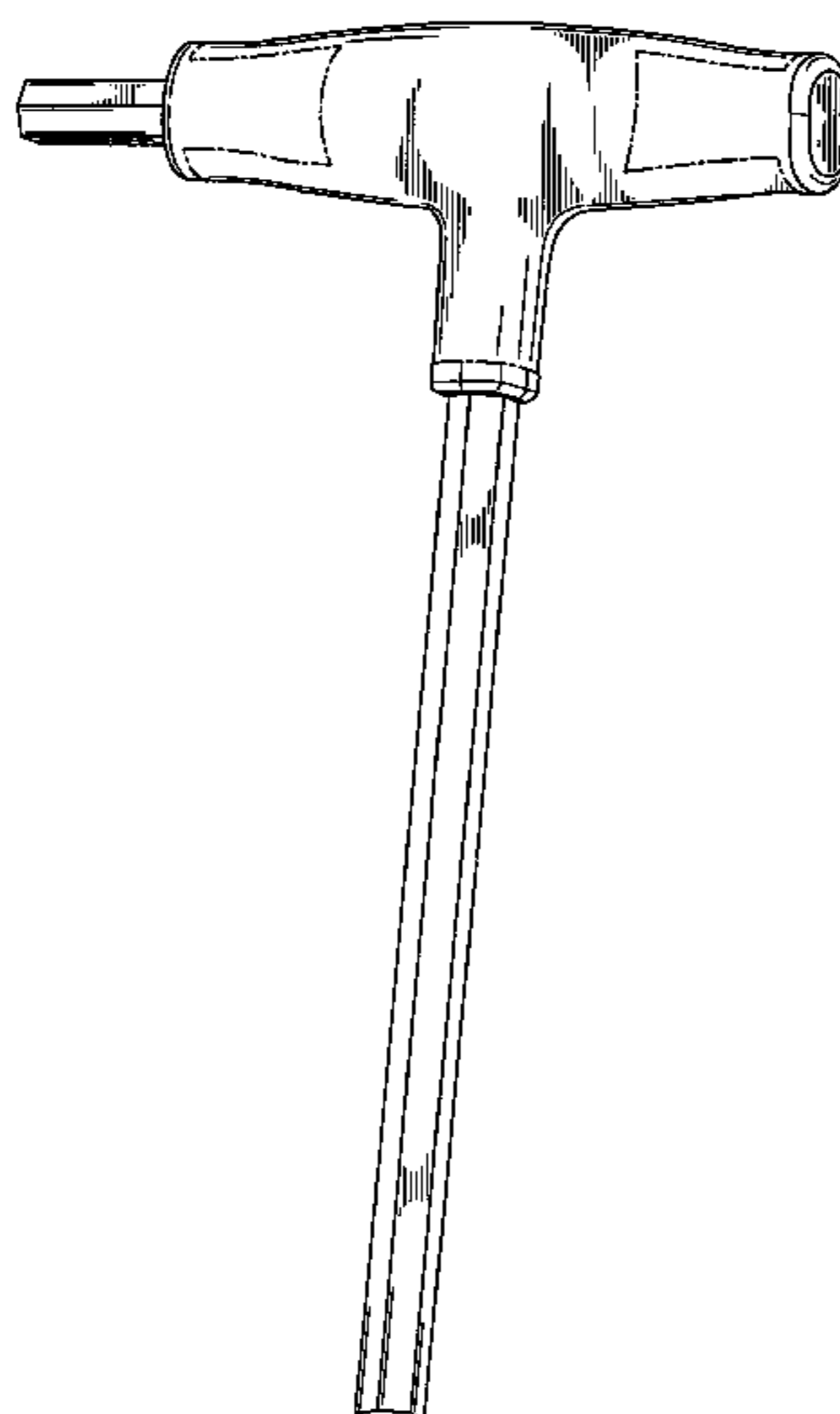
FIG. 5 is a right side view of the T-handle hex wrench shown  
in FIG. 1;

FIG. 6 is a top view of the T-handle hex wrench illustrated  
in FIG. 1; and,

FIG. 7 is a bottom view of the T-handle hex wrench  
illustrated in FIG. 1.

Broken lines are for illustrative purposes and form no part of  
the claim.

**1 Claim, 5 Drawing Sheets**



# US D552,949 S

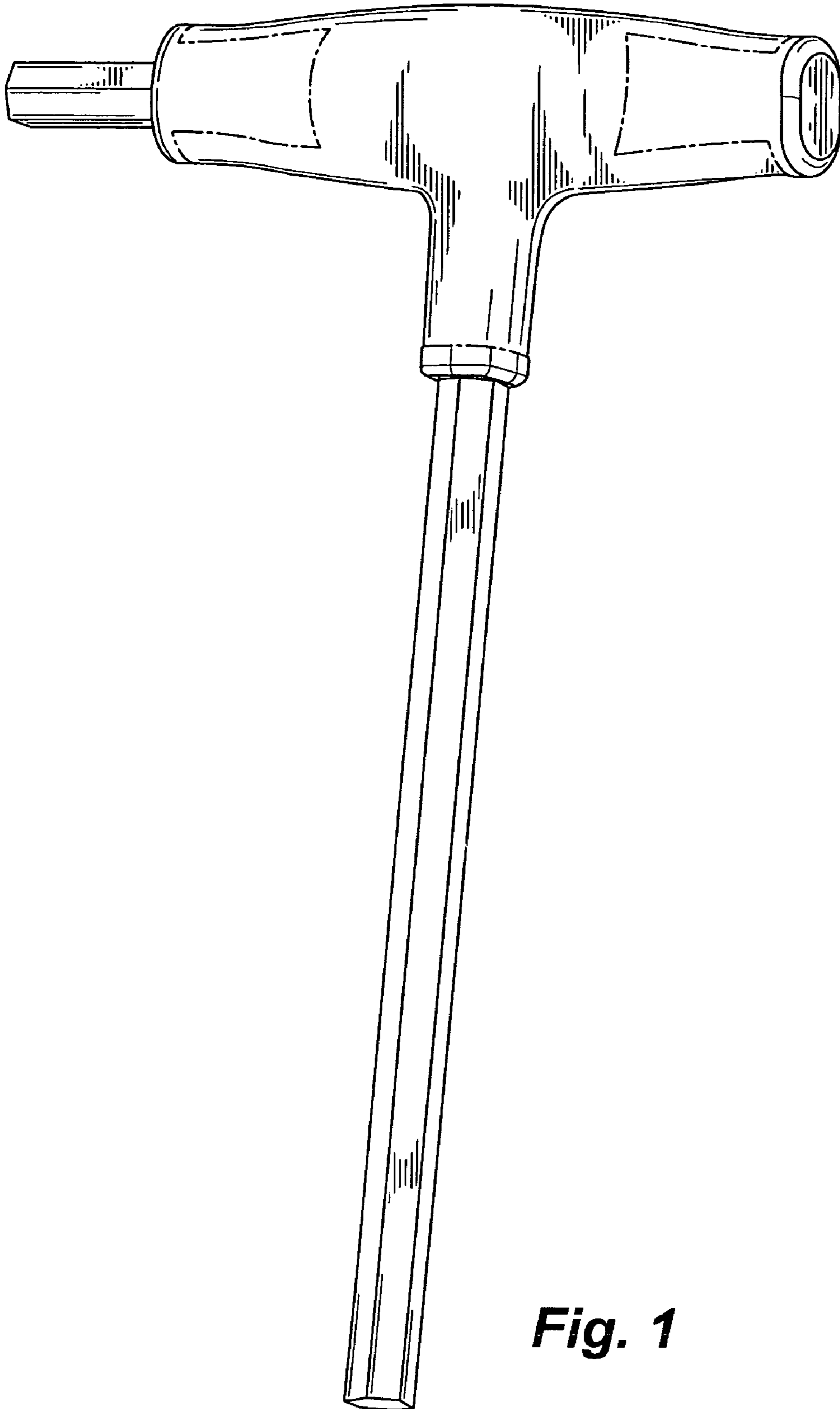
Page 2

---

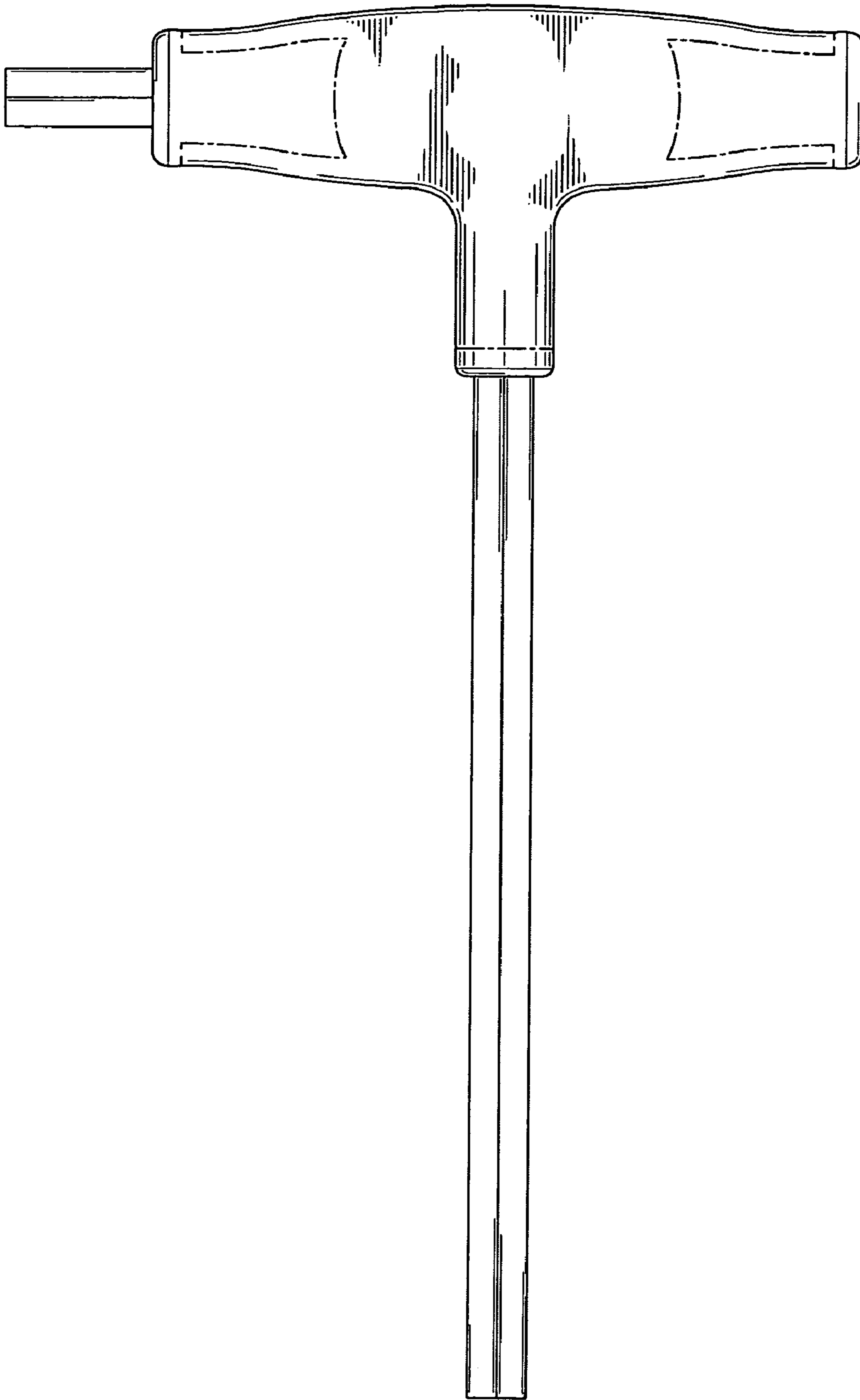
## U.S. PATENT DOCUMENTS

6,347,450 B1 *	2/2002	Langlois et al. ....	29/748	D486,723 S *	2/2004	Chang .....	D8/347
D454,045 S	3/2002	Rinner et al. ....	D8/107	D493,685 S	8/2004	Dallas .....	D8/107
6,378,402 B1	4/2002	Kalomeris et al. ....	81/177.5	D517,634 S *	3/2006	Nunez et al. ....	D21/789
D470,733 S *	2/2003	Schmitt, Jr. ....	D8/21	7,166,040 B2 *	1/2007	Hoffman et al. ....	473/334
6,675,678 B2	1/2004	Liu .....	81/177.2	2003/0110906 A1	6/2003	Li et al. ....	81/177.1

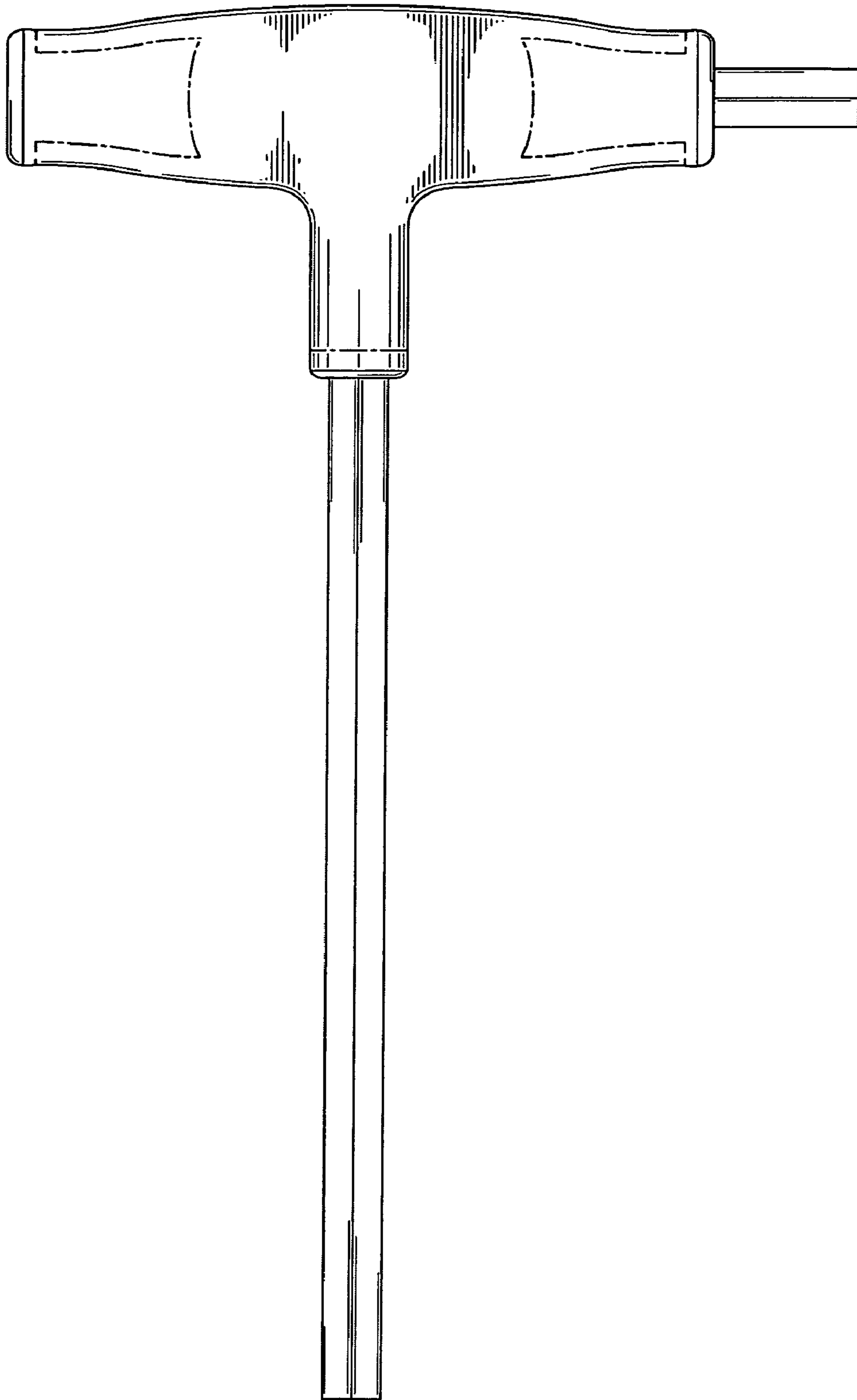
\* cited by examiner



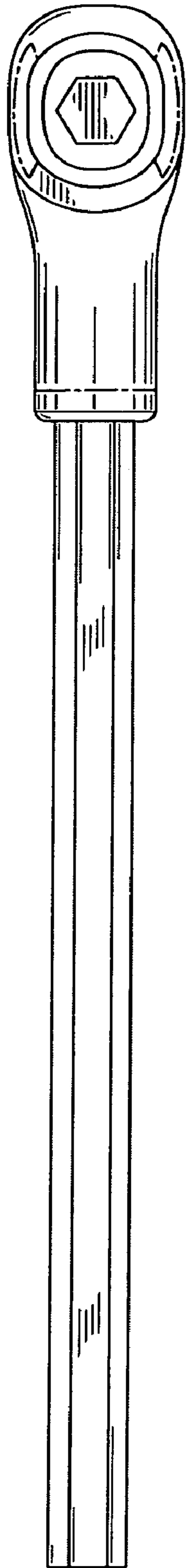
**Fig. 1**



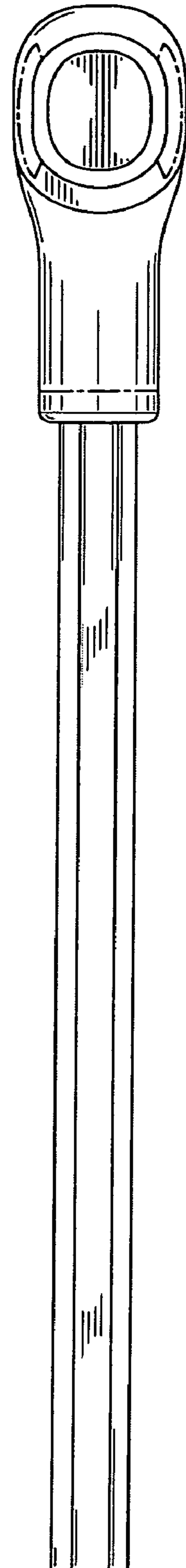
**Fig. 2**



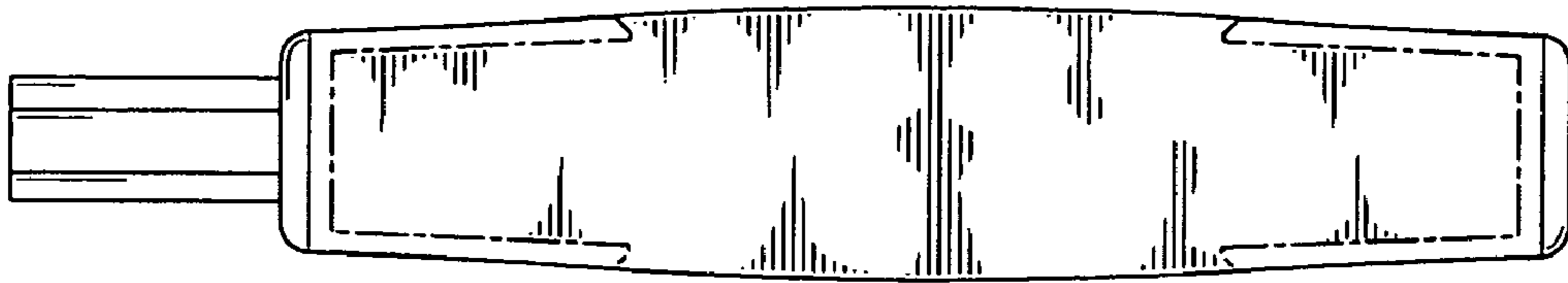
**Fig. 3**



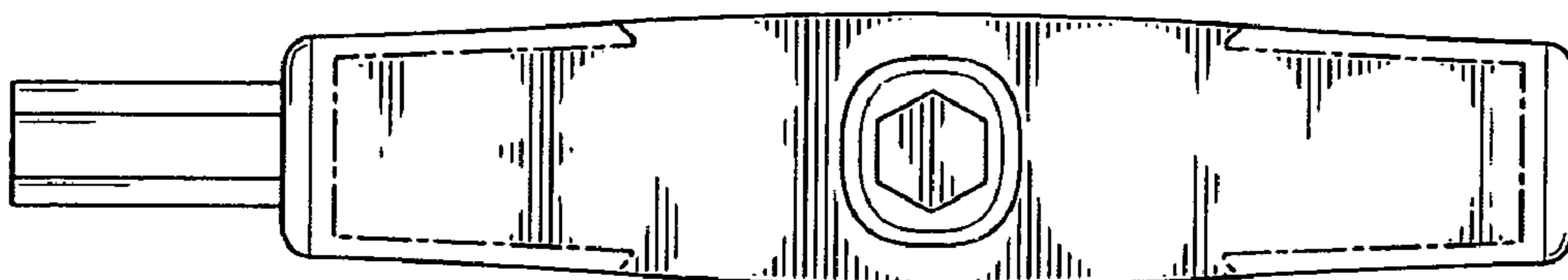
**Fig. 4**



**Fig. 5**



**Fig. 6**



**Fig. 7**