



US00D552948S

(12) **United States Design Patent**
Aglassinger

(10) **Patent No.:** **US D552,948 S**

(45) **Date of Patent:** **** Oct. 16, 2007**

(54) **GRASS SHEAR**

(75) Inventor: **Hans-Peter Aglassinger**, Esslingen
(DE)

(73) Assignee: **Robert Bosch GmbH**, Stuttgart (DE)

(**) Term: **14 Years**

(21) Appl. No.: **29/250,157**

(22) Filed: **Nov. 3, 2006**

(30) **Foreign Application Priority Data**

Jun. 23, 2006 (EM) 000549852

(51) **LOC (8) Cl.** **08-01**

(52) **U.S. Cl.** **D8/8**

(58) **Field of Classification Search** D8/7,
D8/8, 14; 56/12.7
See application file for complete search history.

(56) **References Cited**

U.S. PATENT DOCUMENTS

- 3,774,302 A * 11/1973 Ketchpel et al. 30/210
- 3,805,385 A * 4/1974 Ritums et al. 30/220
- 3,851,388 A * 12/1974 Weber et al. 30/223
- 3,861,127 A * 1/1975 Ritums et al. 56/246
- 3,956,824 A * 5/1976 Francis 30/220
- D307,377 S * 4/1990 Sakamoto et al. D8/8
- D347,774 S * 6/1994 Griffin et al. D8/8

- D353,750 S * 12/1994 Abe D8/8
- D380,359 S * 7/1997 Meisner et al. D8/8
- D393,402 S * 4/1998 Kikuchi et al. D8/8
- D443,188 S * 6/2001 Shih D8/8
- D487,216 S * 3/2004 Arvidsson et al. D8/8
- D518,690 S * 4/2006 Grey D8/8
- 2006/0075641 A1 * 4/2006 Nottingham et al. 30/100

* cited by examiner

Primary Examiner—Holly H. Baynham

Assistant Examiner—Sheryl Friedman

(74) *Attorney, Agent, or Firm*—Michael J. Striker

(57) **CLAIM**

The ornamental design for a grass shear, as shown and described.

DESCRIPTION

FIG. 1 is a front perspective view of a grass shear without blades showing my new design;

FIG. 2 is a side view thereof;

FIG. 3 is the opposite side view of FIG. 2 thereof;

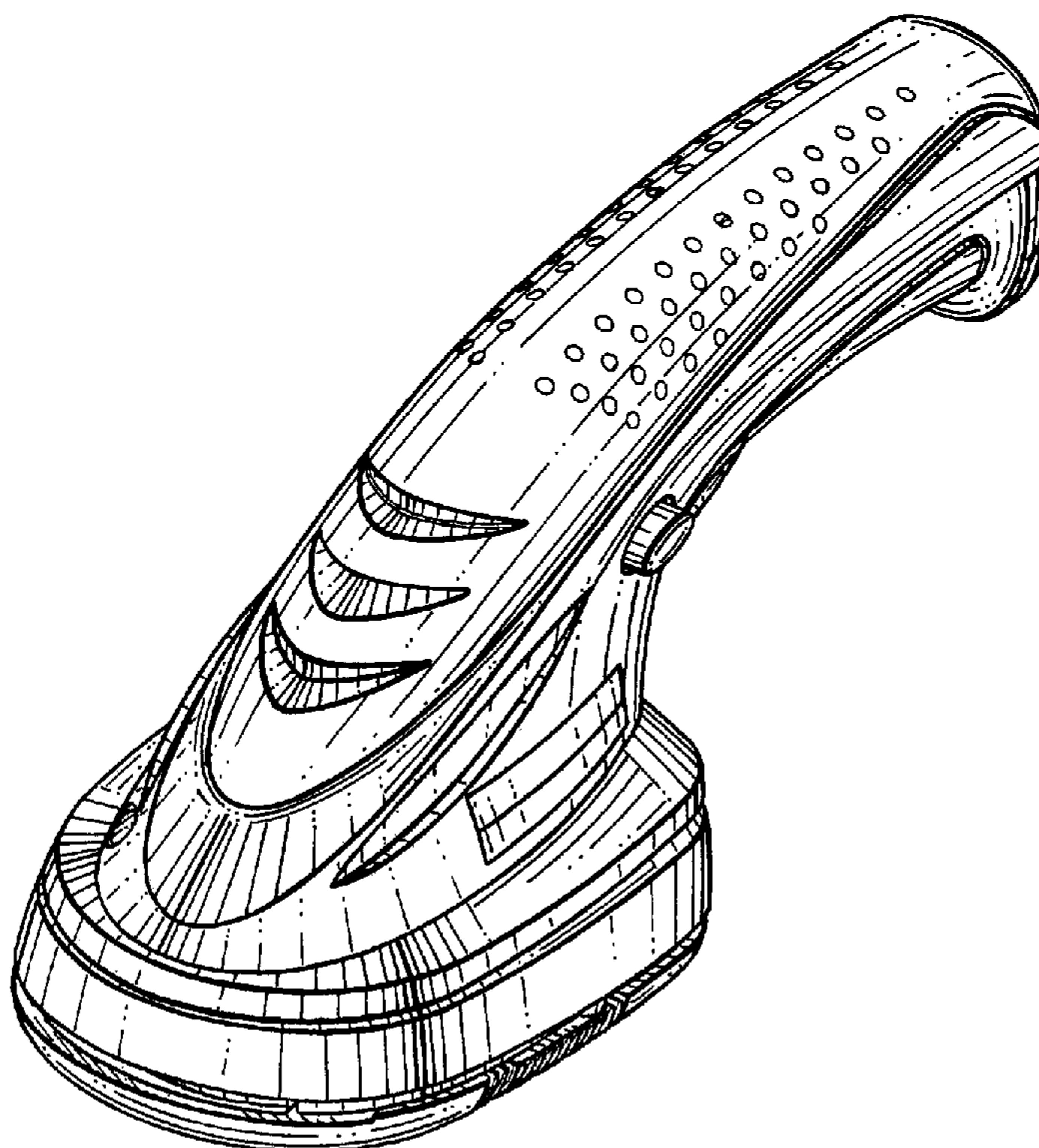
FIG. 4 is a front view thereof;

FIG. 5 is a rear view thereof;

FIG. 6 is a top view thereof; and,

FIG. 7 is a bottom view thereof.

1 Claim, 5 Drawing Sheets



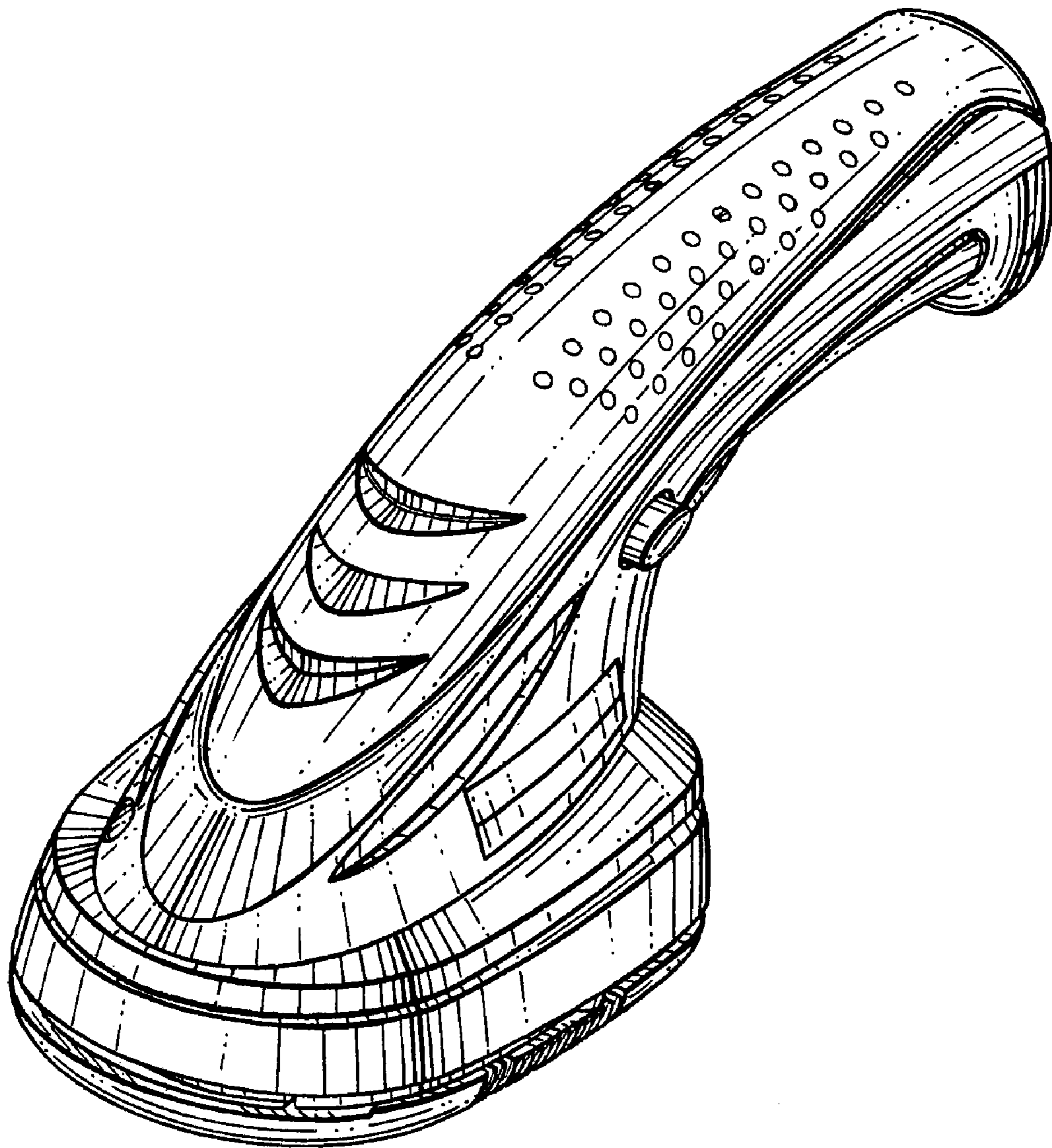


FIG. 1

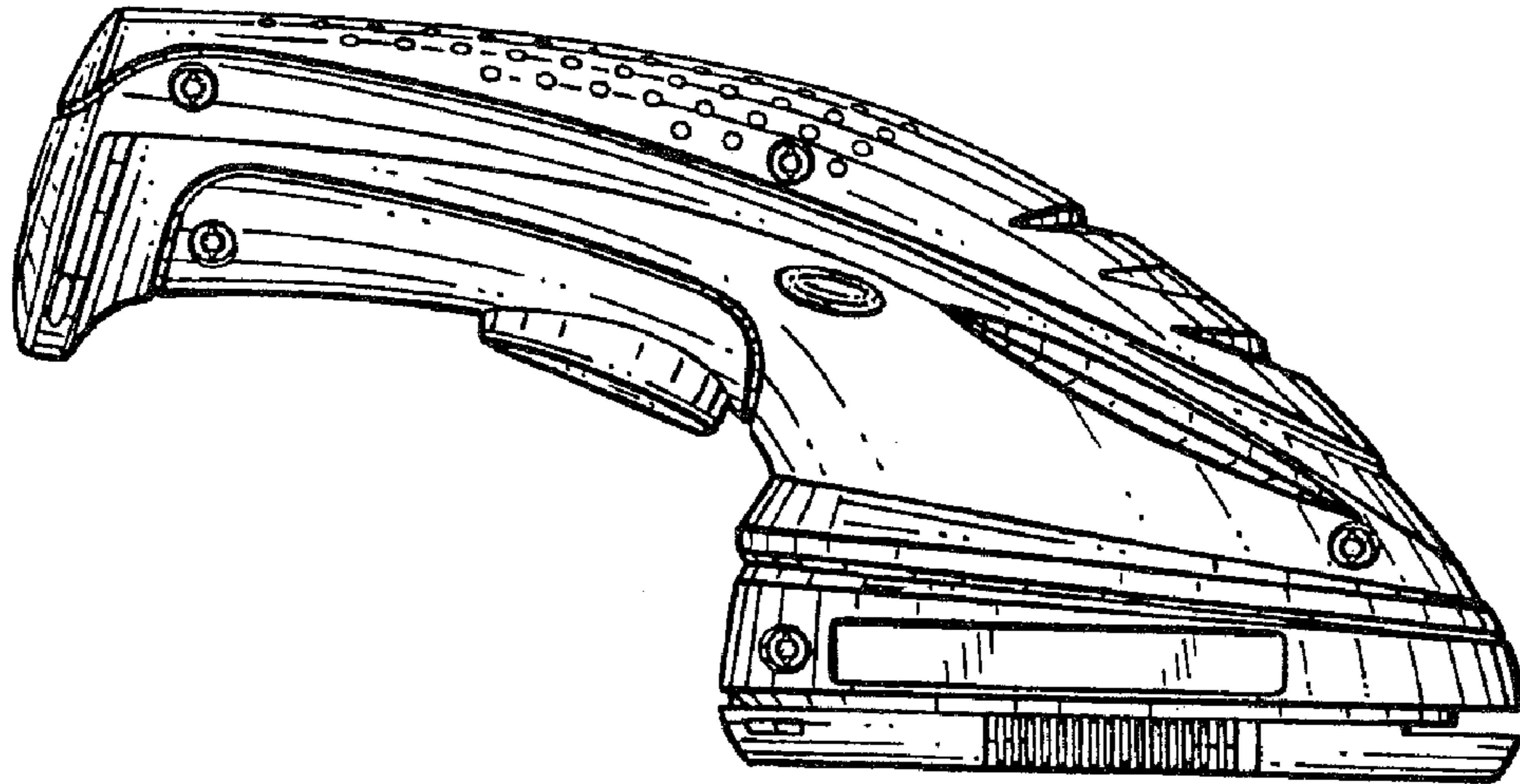


FIG. 2

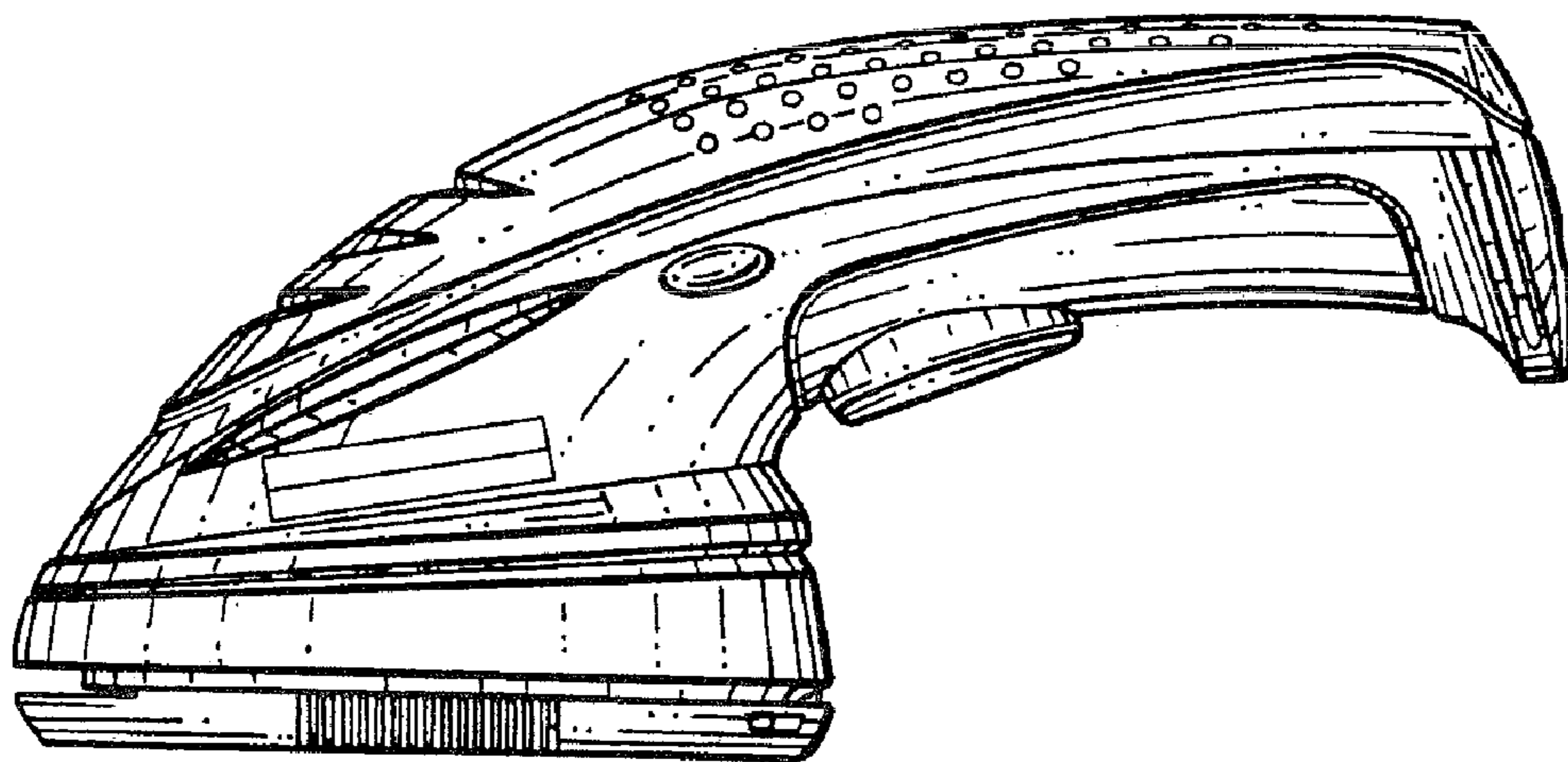


FIG. 3

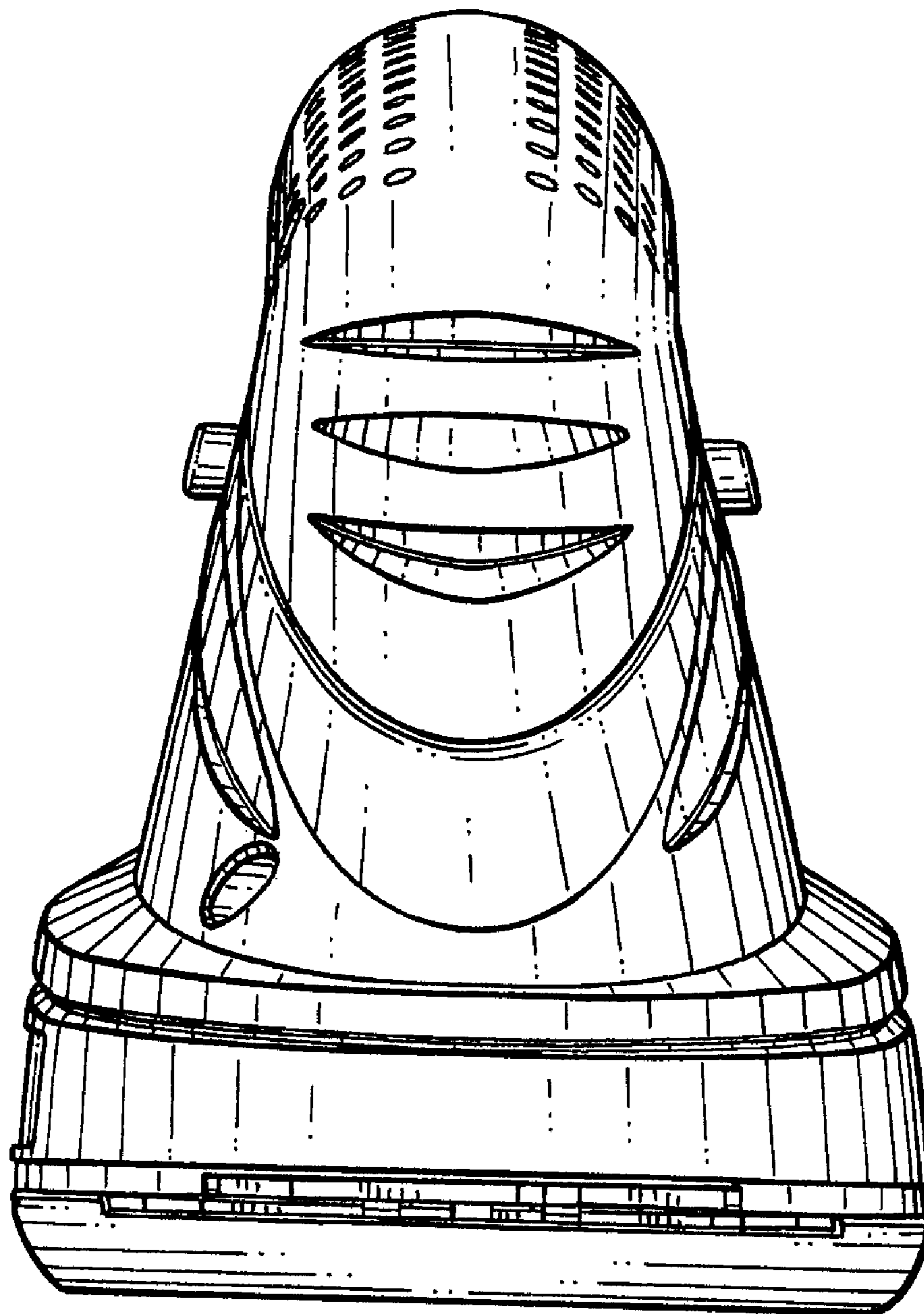


FIG. 4

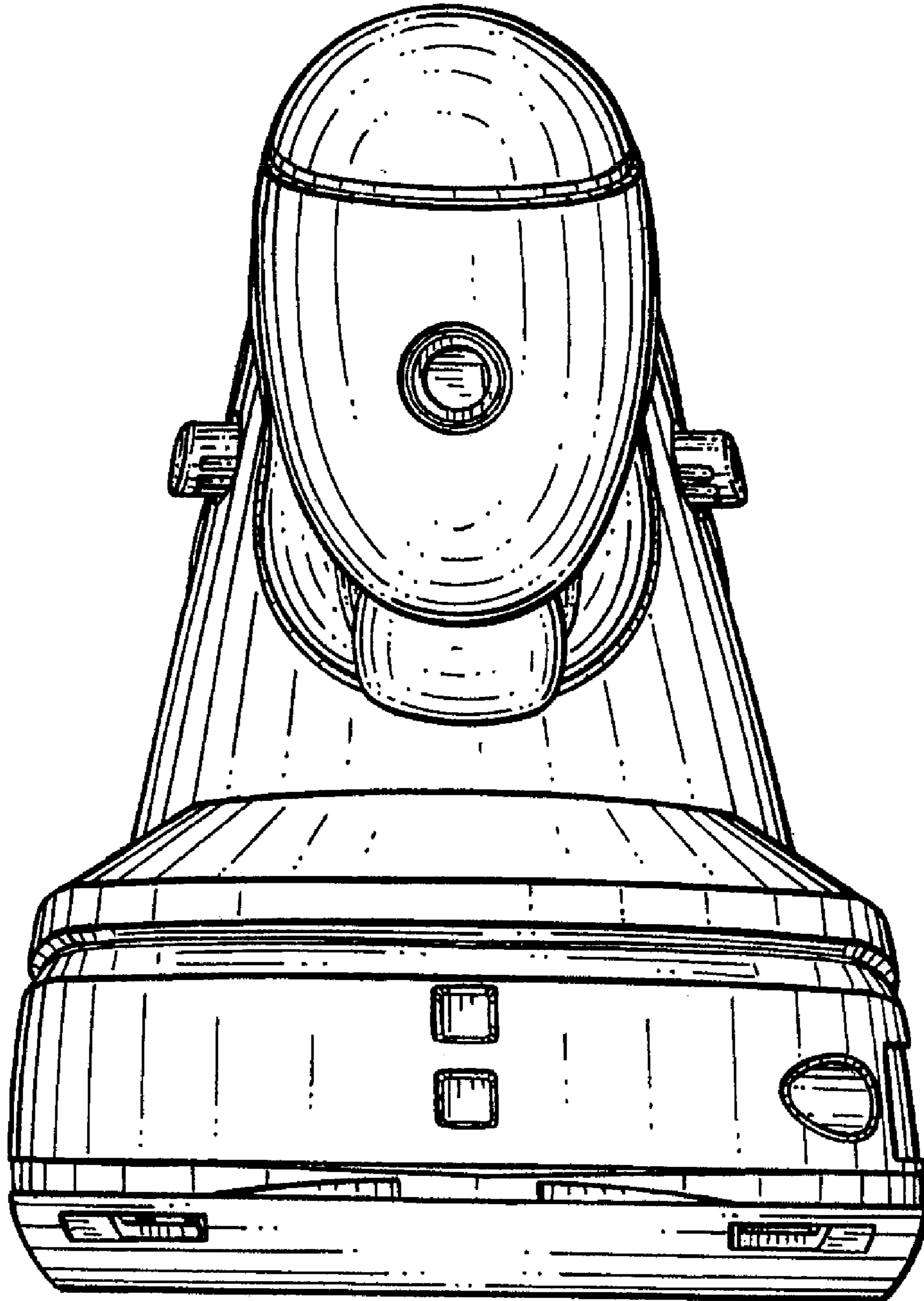


FIG. 5

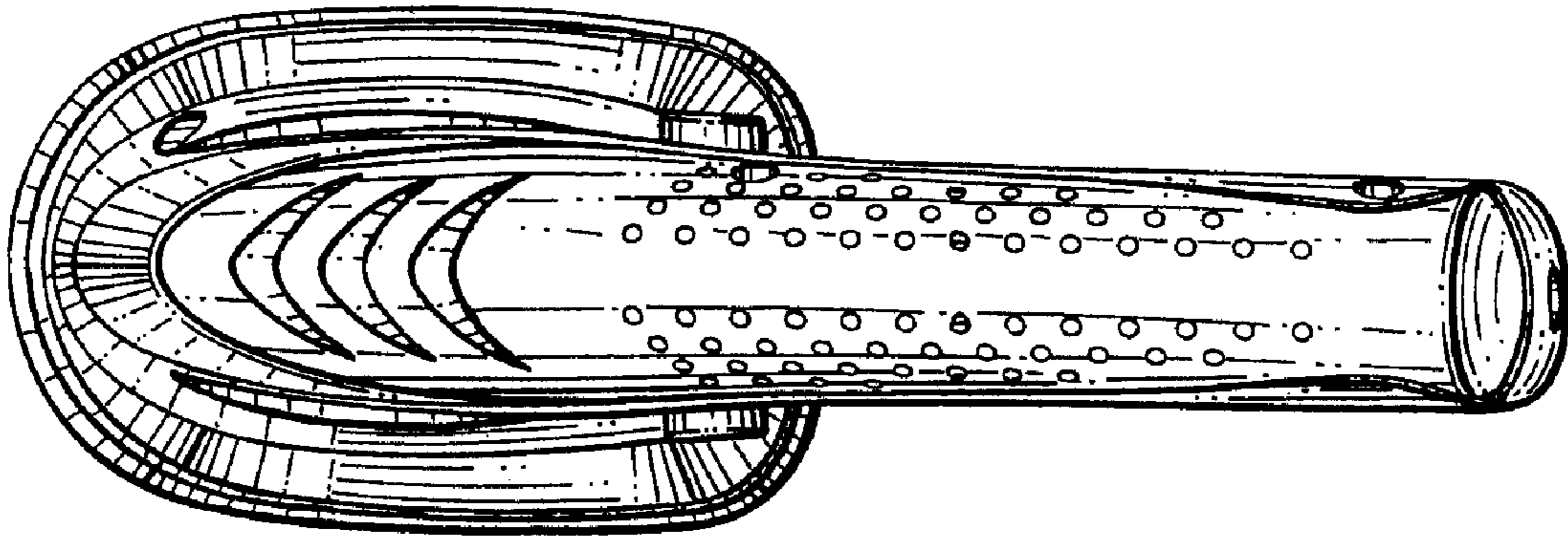


FIG. 6

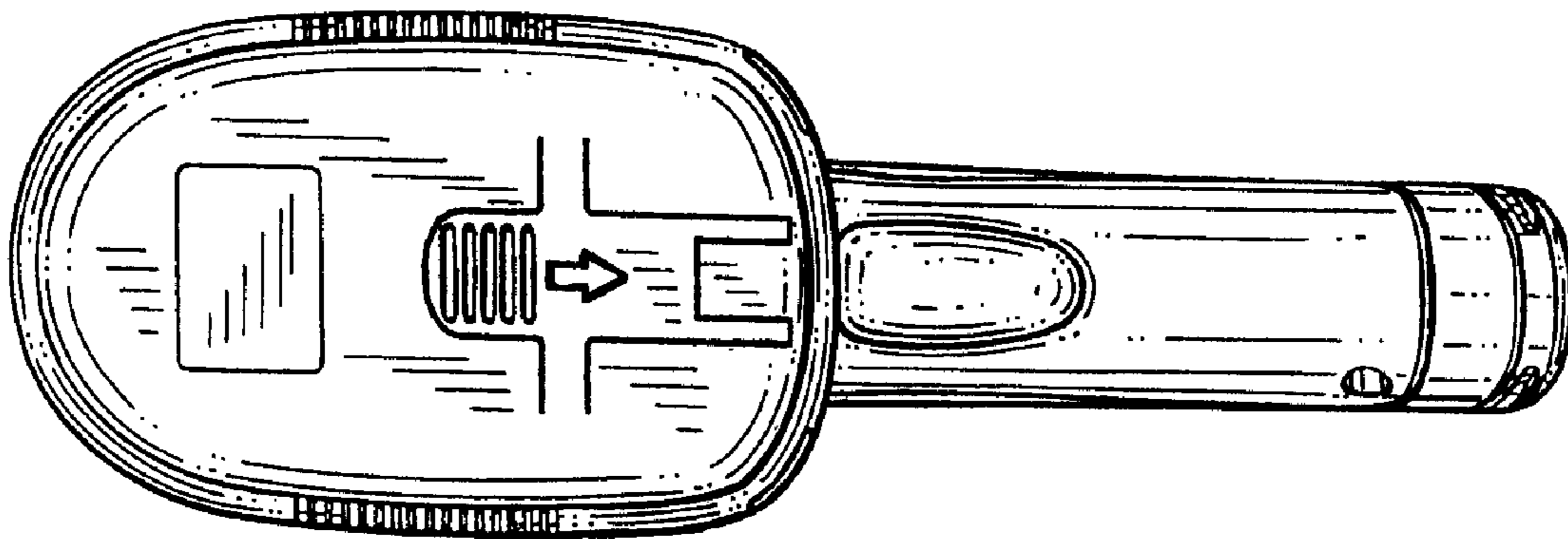


FIG. 7