



US00D552946S

(12) **United States Design Patent**
Shanklin et al.

(10) **Patent No.: US D552,946 S**
(45) **Date of Patent: ** Oct. 16, 2007**

(54) **SPREADER**

(75) Inventors: **Donald J. Shanklin**, Corona, CA (US);
Ronald F. Englhard, Dove Canyon,
CA (US)

(73) Assignee: **Hayes Products, LLC.**, Buena Park,
CA (US)

(**) Term: **14 Years**

(21) Appl. No.: **29/232,624**

(22) Filed: **May 6, 2005**

(51) **LOC (8) Cl.** **08-01**

(52) **U.S. Cl.** **D8/2**

(58) **Field of Classification Search** D9/500,
D9/516, 531; D8/2; 222/239, 410, 613-614;
239/526, 663, 686

See application file for complete search history.

(56) **References Cited**

U.S. PATENT DOCUMENTS

D192,601 S * 4/1962 Love D8/2

(Continued)

Primary Examiner—Holly H. Baynham

Assistant Examiner—Sheryl Friedman

(74) *Attorney, Agent, or Firm*—Knobbe, Martens, Olson &
Bear, LLP.

(57) **CLAIM**

The ornamental design for a spreader, as shown and
described.

DESCRIPTION

FIG. 1 is a front perspective view of a first embodiment of
the spreader of the present design;

FIG. 2 is a front elevational view of the spreader of FIG. 1;

FIG. 3 a rear elevational view of the spreader of FIG. 1;

FIG. 4 is a left side elevational view of the spreader of FIG.
1;

FIG. 5 is a right side elevational view of the spreader of FIG.
1;

FIG. 6 is a top plan view of the spreader of FIG. 1;

FIG. 7 is a bottom plan view of the spreader of FIG. 1;

FIG. 8 is a rear perspective view of the spreader of FIG. 1;

FIG. 9 is a front perspective view of the spreader of FIG. 1
with a top in an open position and a lever in an open
position;

FIG. 10 is a front perspective view of a second embodiment
of the spreader of the present design;

FIG. 11 is a front elevational view of the spreader of FIG. 10;

FIG. 12 a rear elevational view of the spreader of FIG. 10;

FIG. 13 is a left side elevational view of the spreader of FIG.
10;

FIG. 14 is a right side elevational view of the spreader of
FIG. 10;

FIG. 15 is a top plan view of the spreader of FIG. 10;

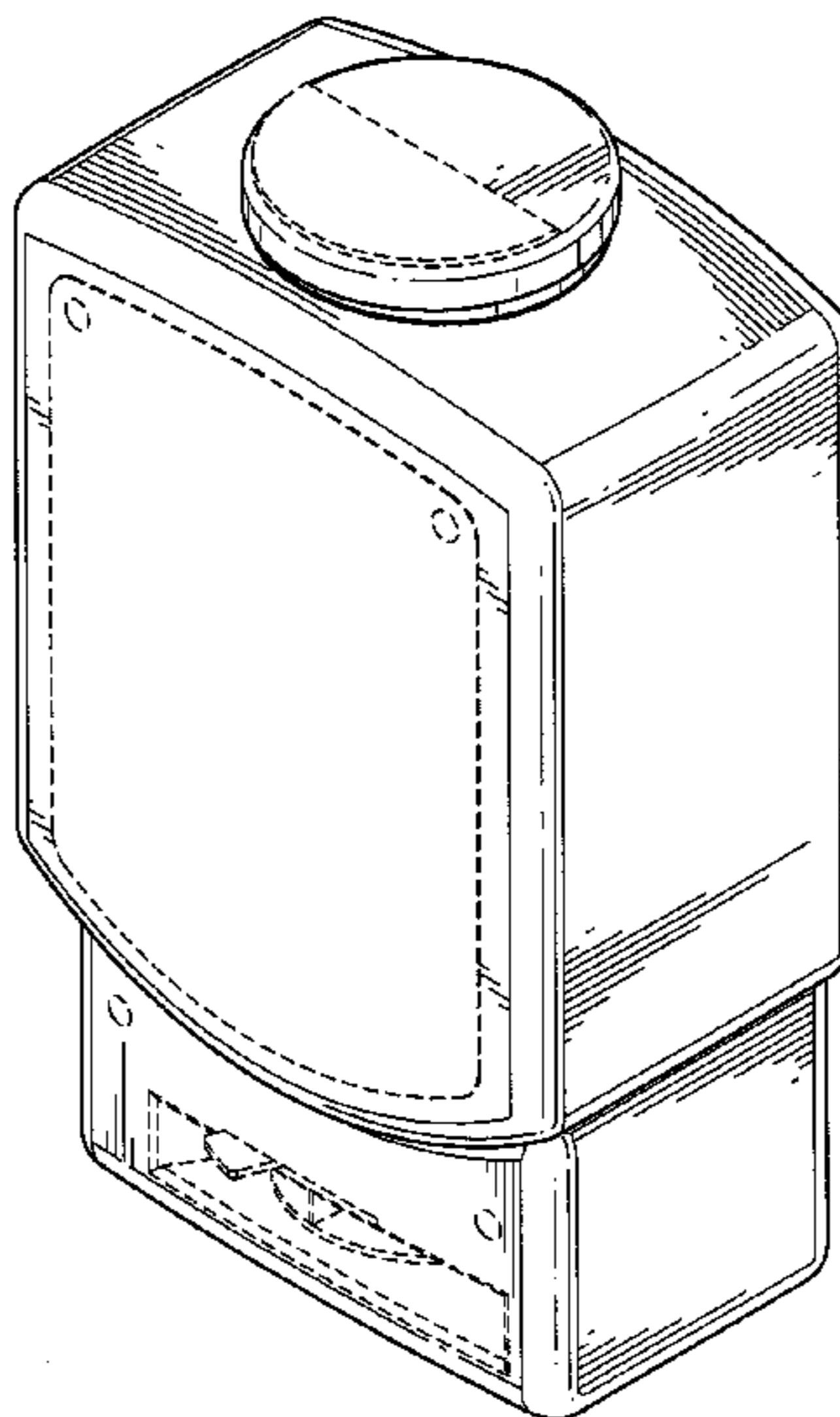
FIG. 16 is a bottom plan view of the spreader of FIG. 10;

FIG. 17 is a rear perspective view of the spreader of FIG. 10;
and,

FIG. 18 is a front perspective view of the spreader of FIG.
10 with a top in an open position and a lever in an open
position.

The broken line showing of the spreader is included for the
purpose of illustrating environmental structure and forms no
part of the claimed design.

1 Claim, 14 Drawing Sheets



US D552,946 S

Page 2

U.S. PATENT DOCUMENTS

| | | | | | | | |
|---------------|---------|---------------|---------|--------------|---------|-----------------|--------|
| D197,077 S * | 12/1963 | Harris | D8/2 | 4,304,344 A | 12/1981 | Vogel et al. | |
| 3,113,702 A | 12/1963 | Luedtke | | 4,492,341 A | 1/1985 | Allen | |
| 3,135,517 A * | 6/1964 | Klema | 239/687 | 5,123,598 A | 6/1992 | Courtney et al. | |
| 3,140,019 A | 7/1964 | Barr | | 5,271,568 A | 12/1993 | Stevie | |
| 3,157,402 A | 11/1964 | Love, Jr. | | 5,285,971 A | 2/1994 | Havlovitz | |
| 3,227,461 A | 1/1966 | Love, Jr. | | D480,311 S * | 10/2003 | Barrett | D9/531 |
| 3,276,162 A | 10/1966 | Chester | | 6,691,901 B2 | 2/2004 | Parve et al. | |
| 3,592,368 A | 7/1971 | Fairbury, III | | | | | |

* cited by examiner

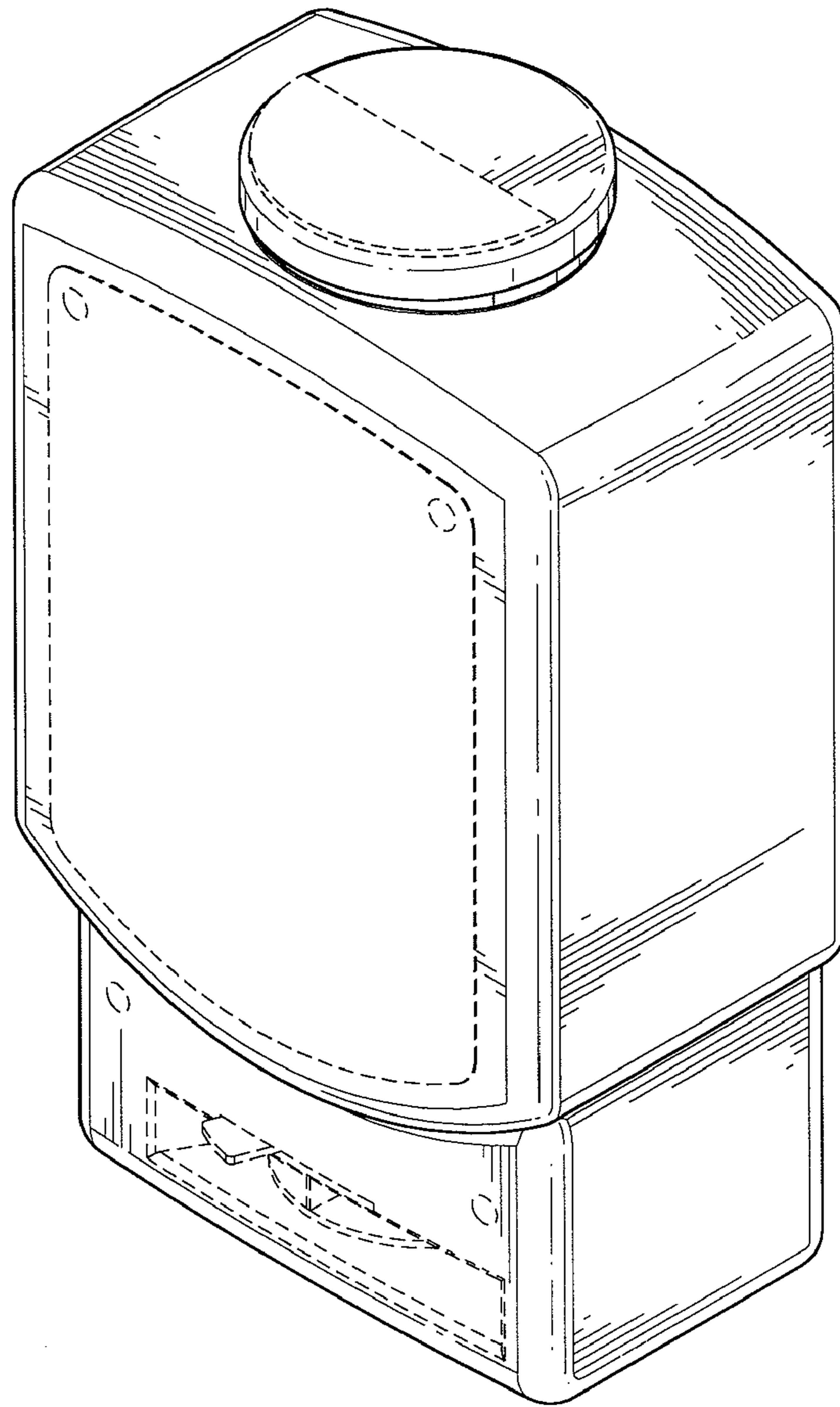


FIG. 1

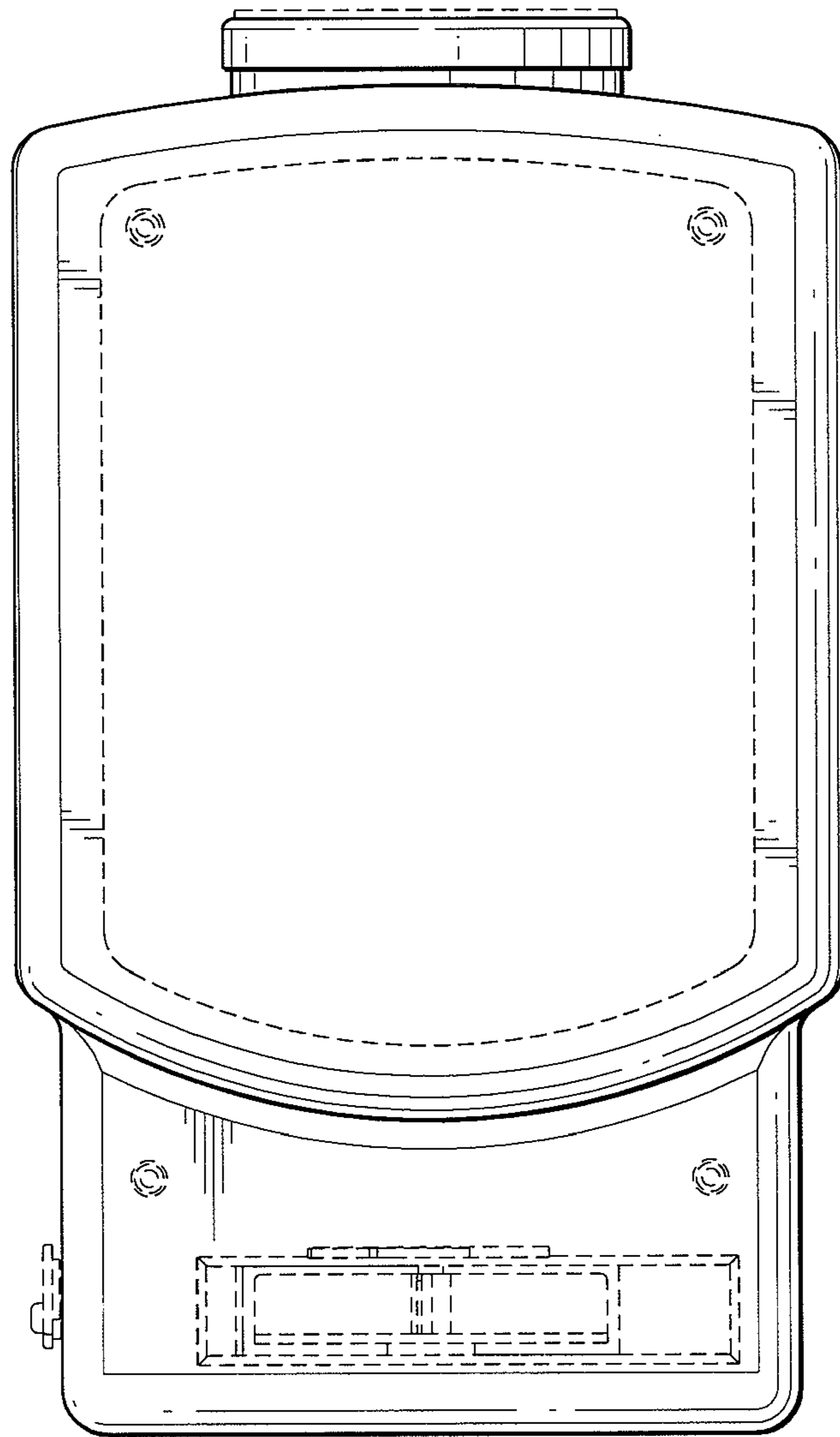


FIG. 2

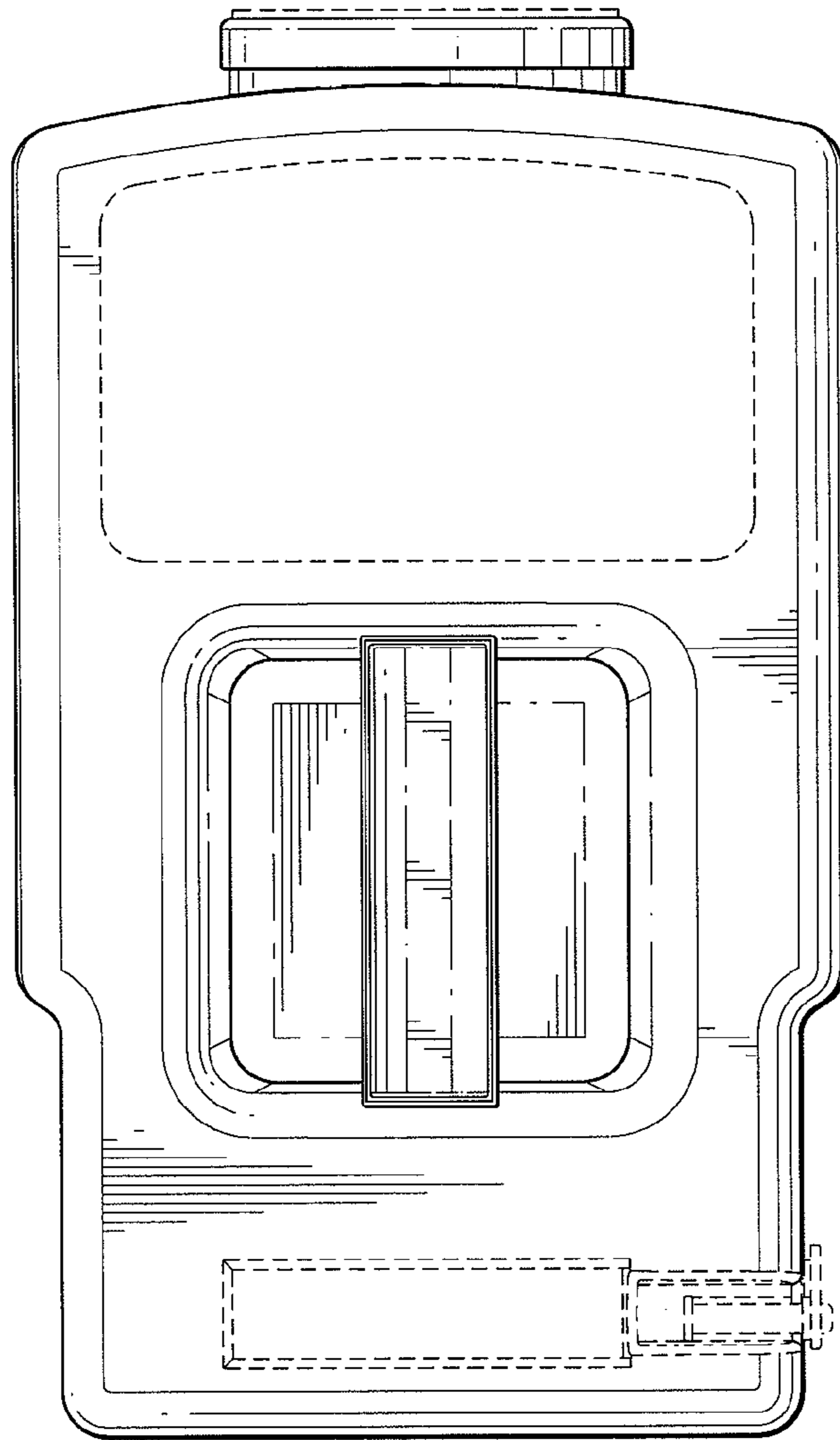


FIG. 3

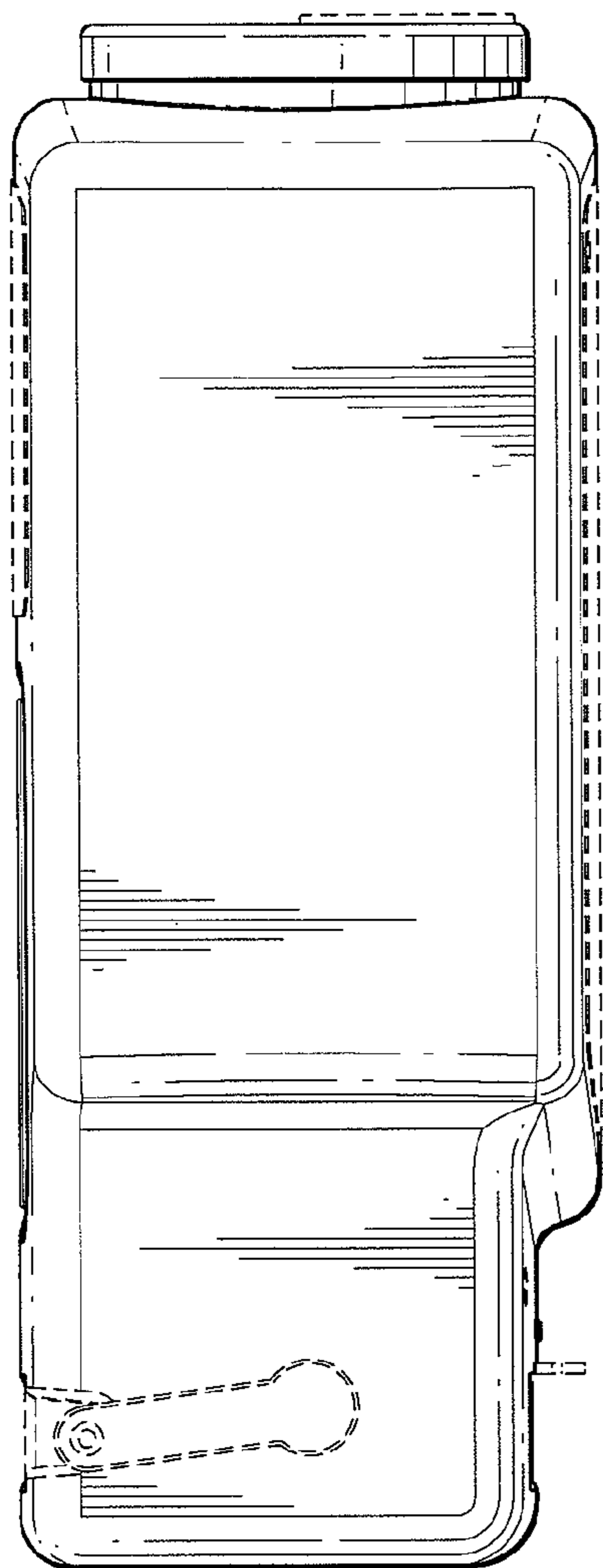


FIG. 4

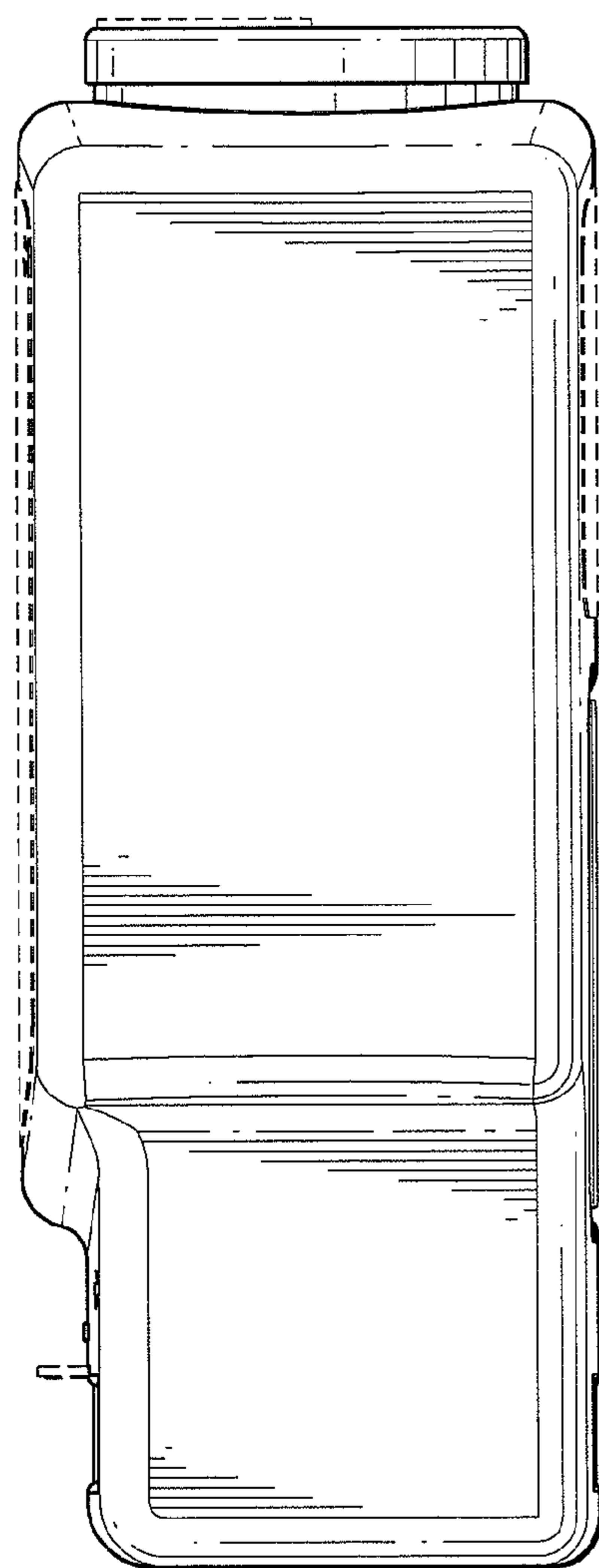


FIG. 5

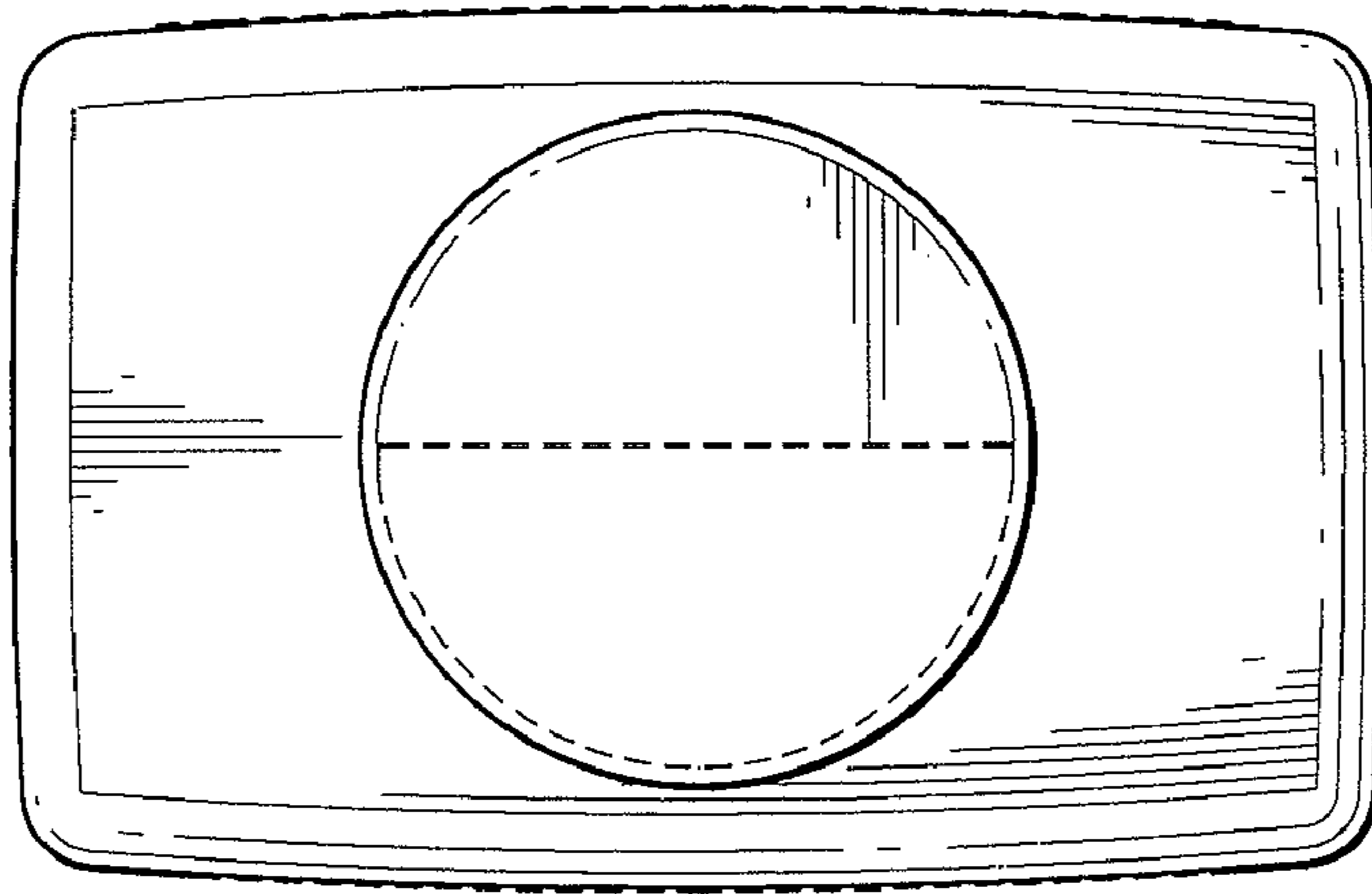


FIG. 6

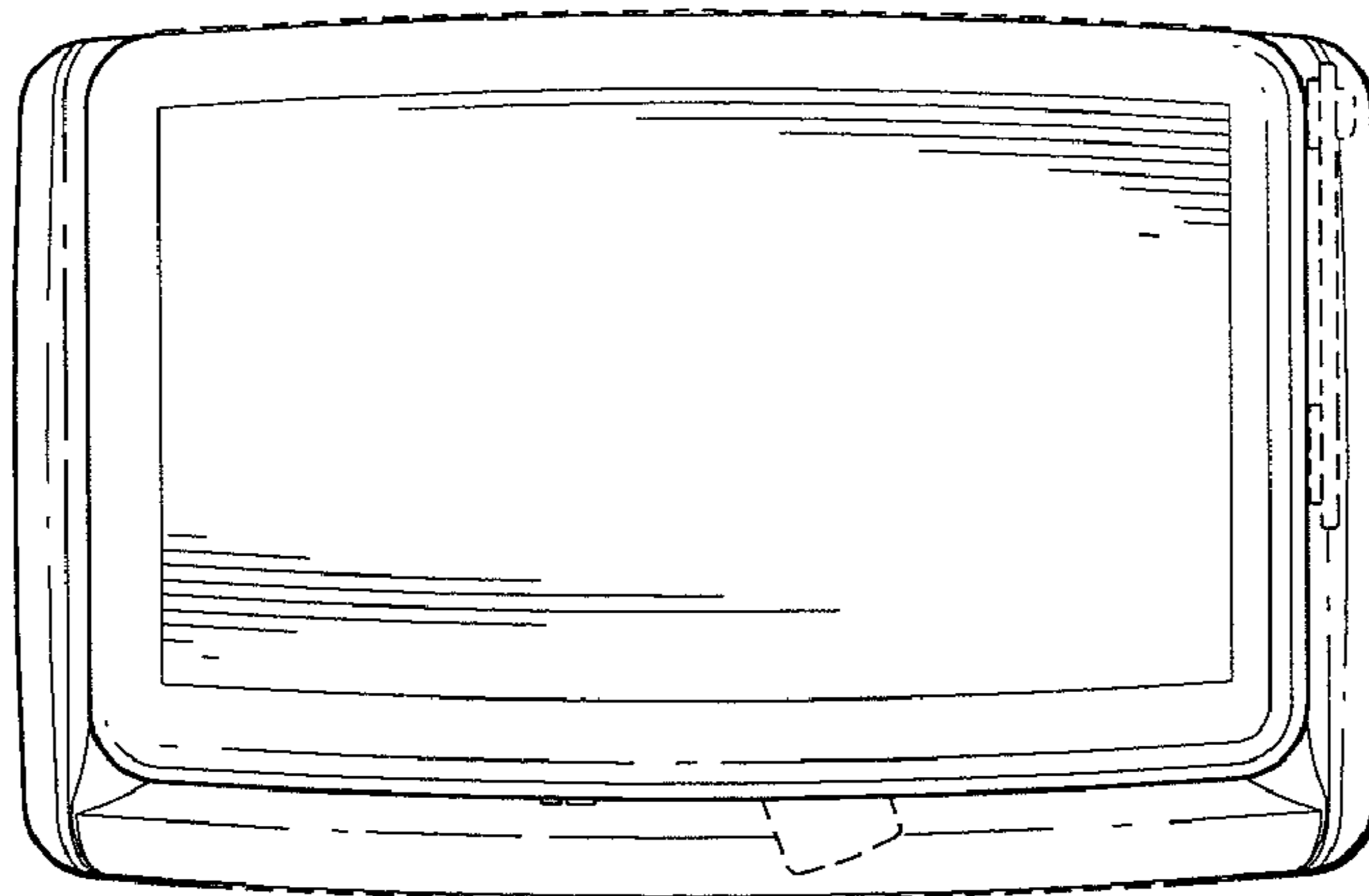


FIG. 7

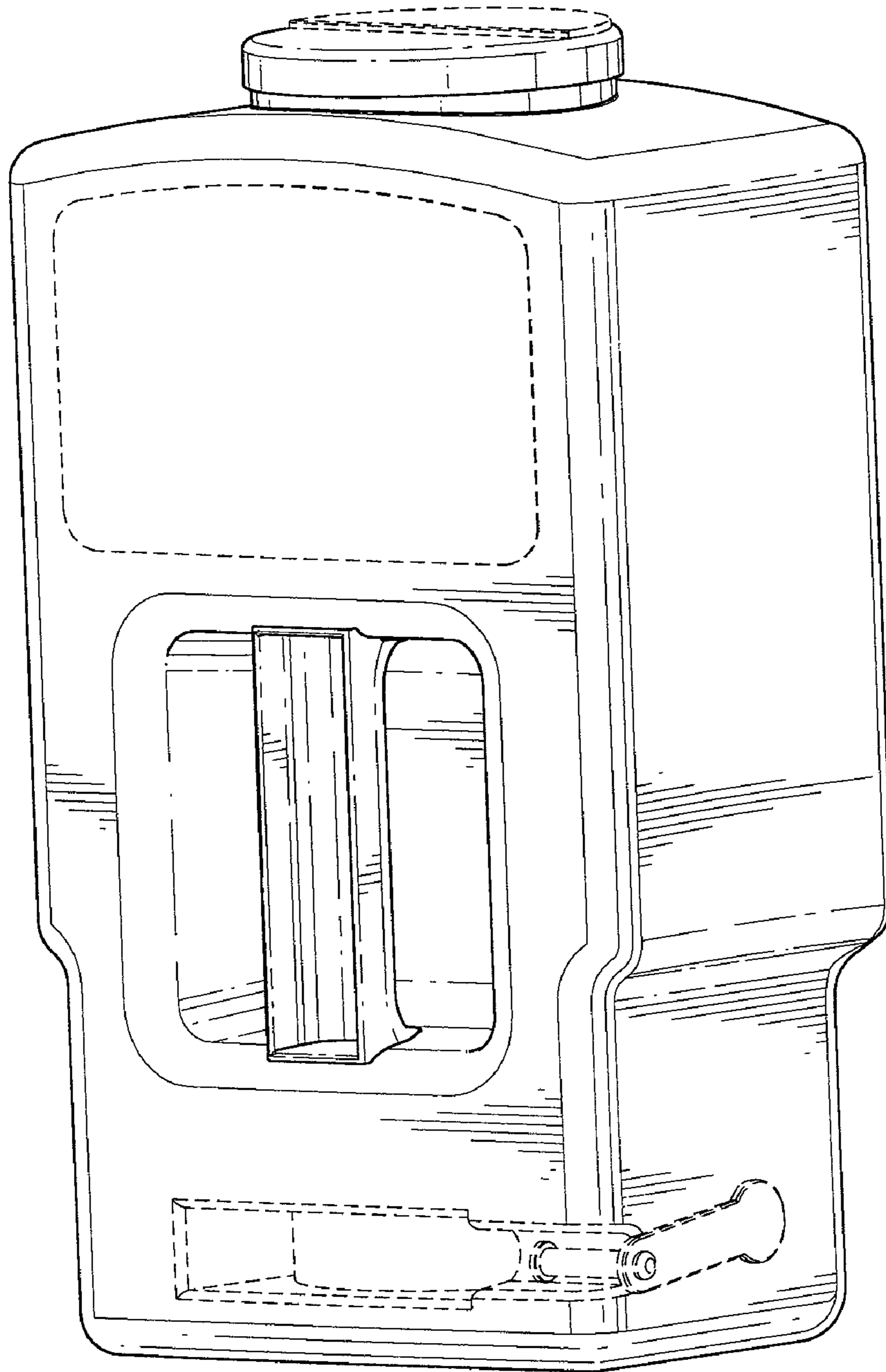


FIG. 8

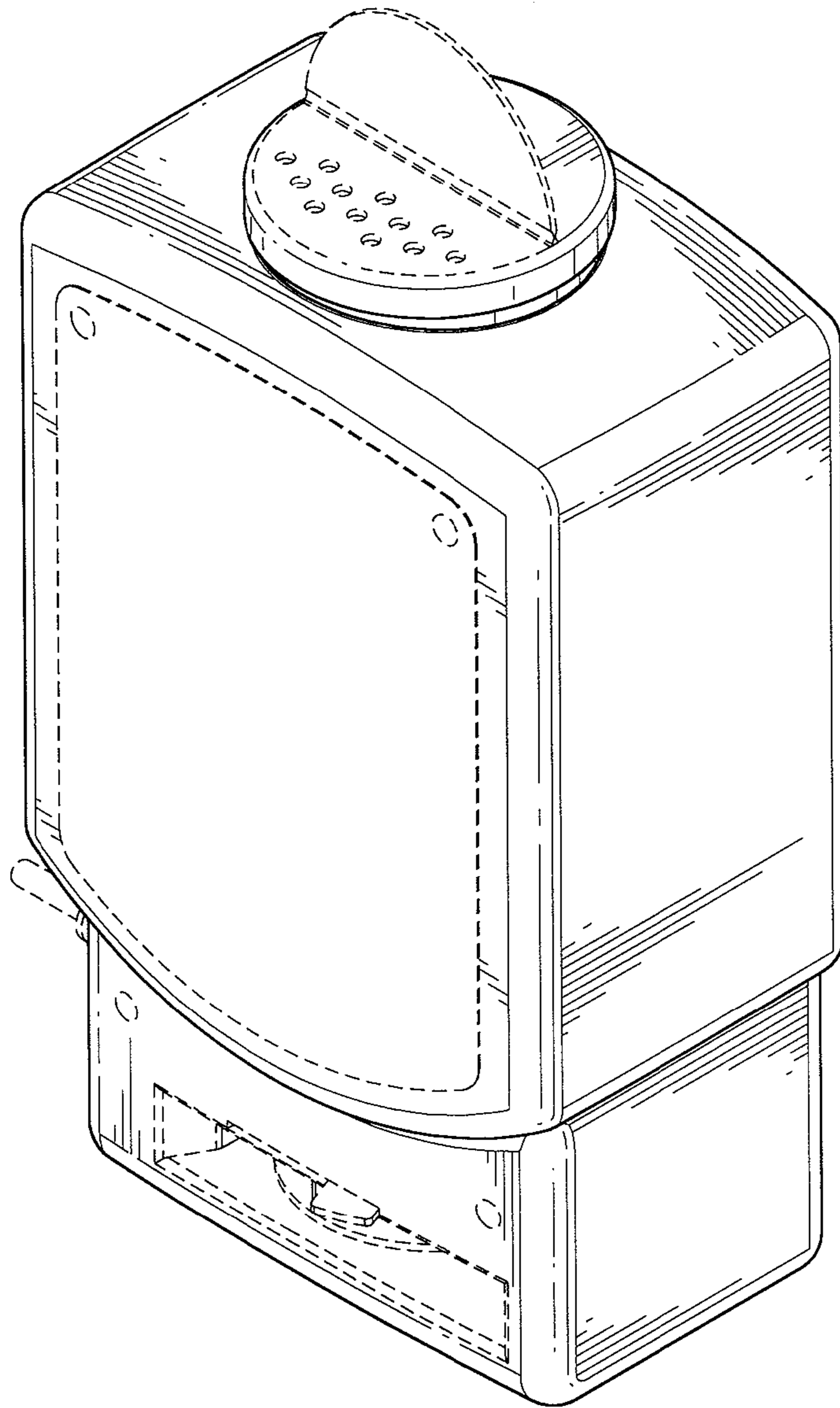


FIG. 9

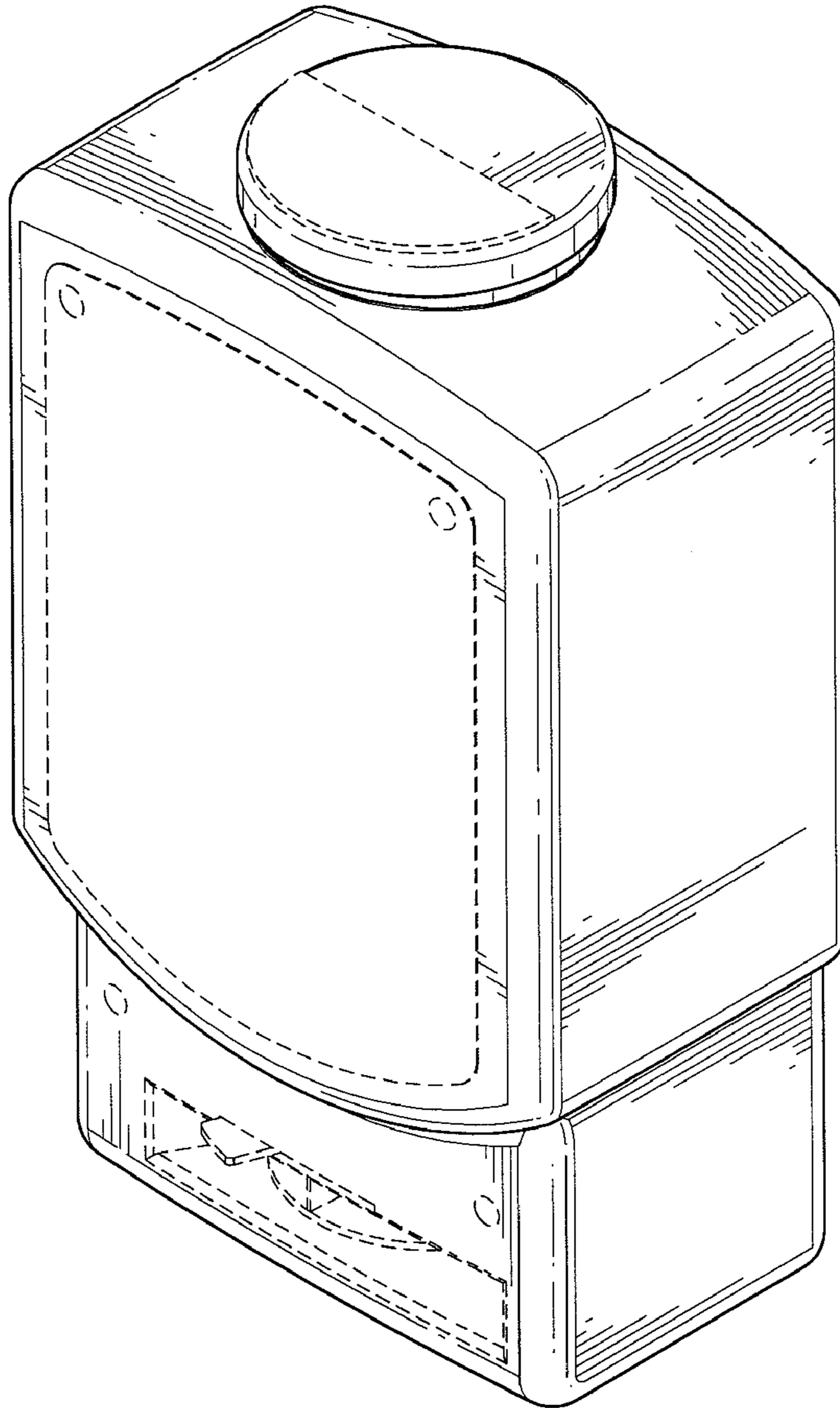


FIG. 10

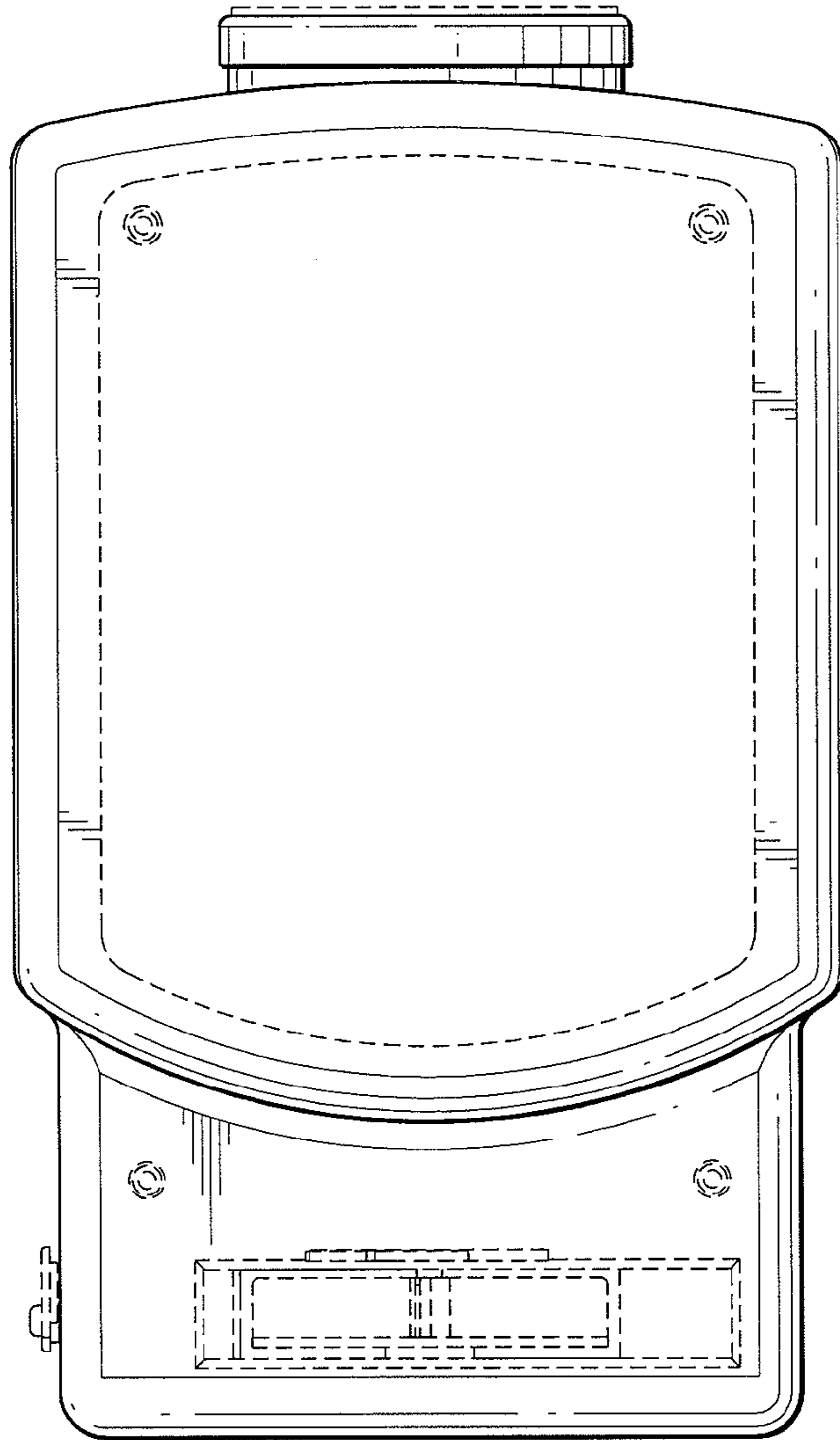


FIG. 11

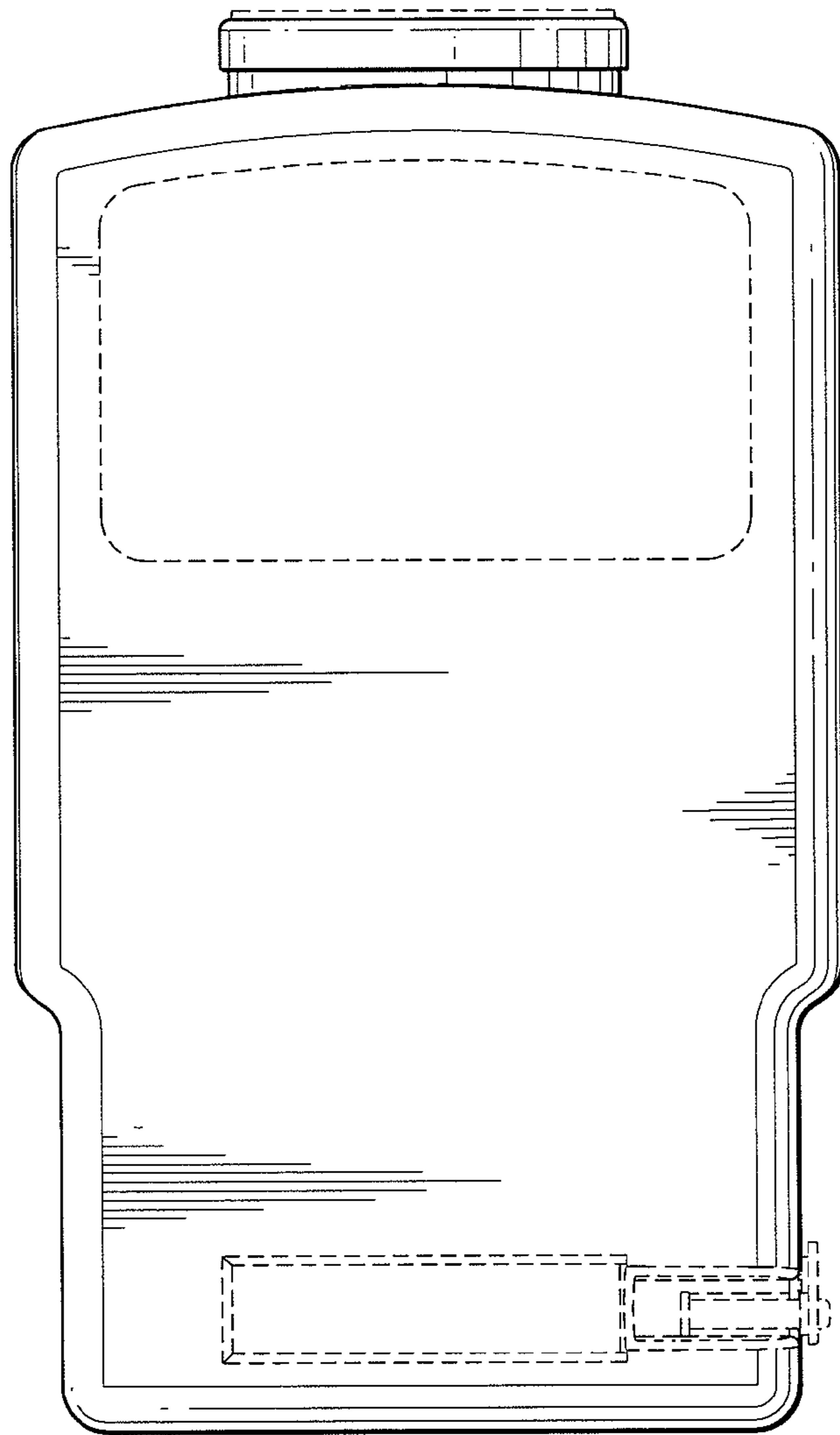


FIG. 12

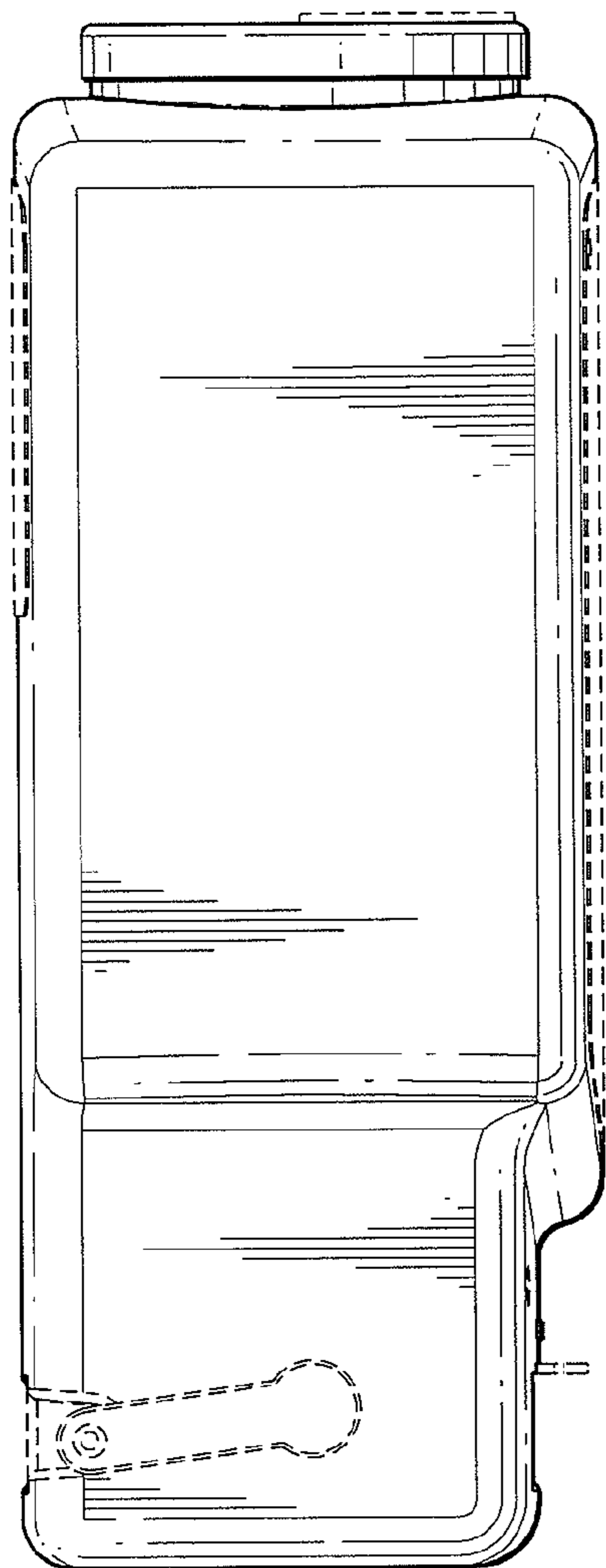


FIG. 13

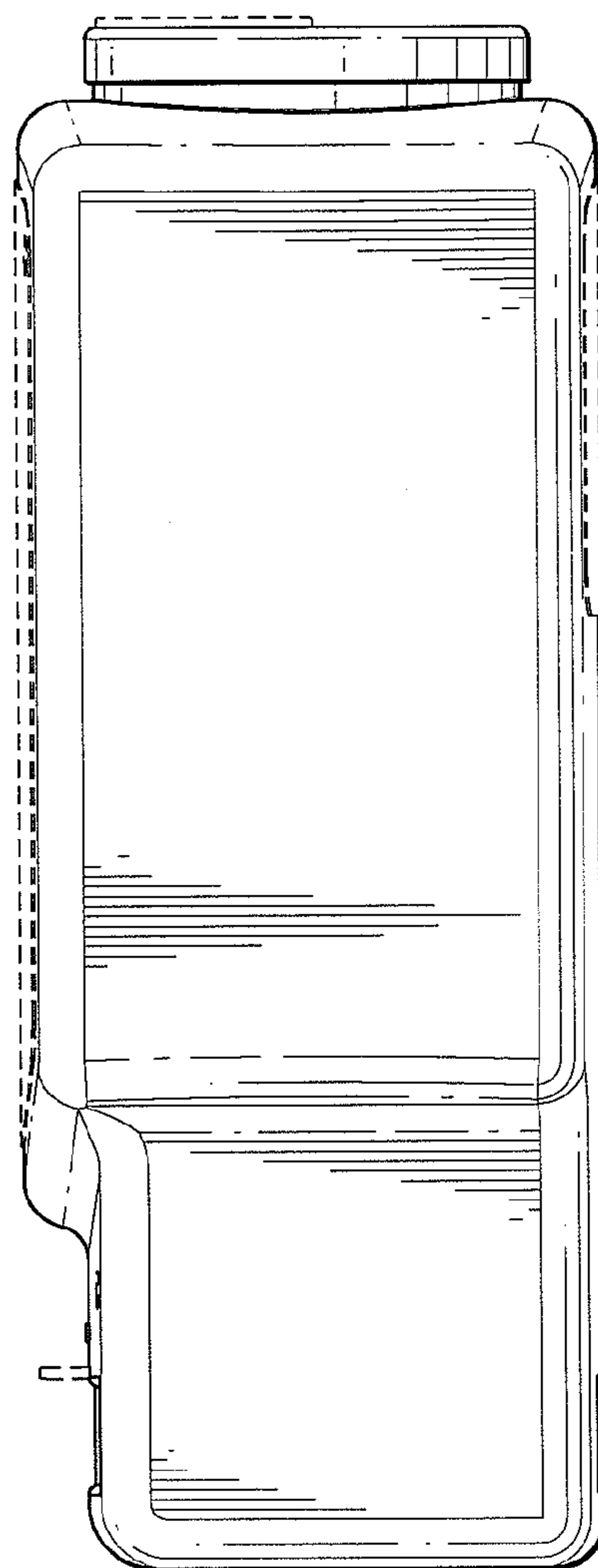


FIG. 14

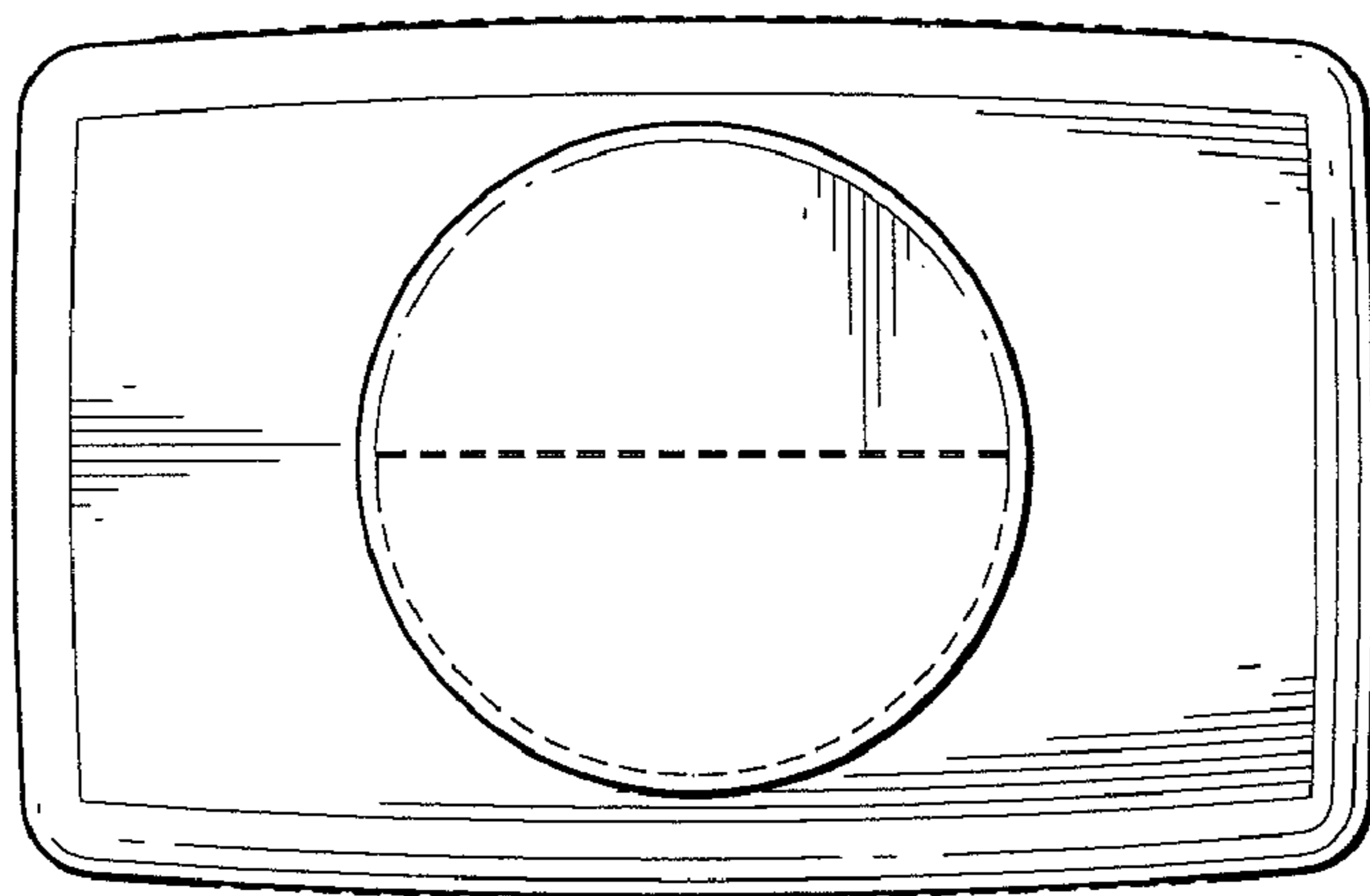


FIG. 15

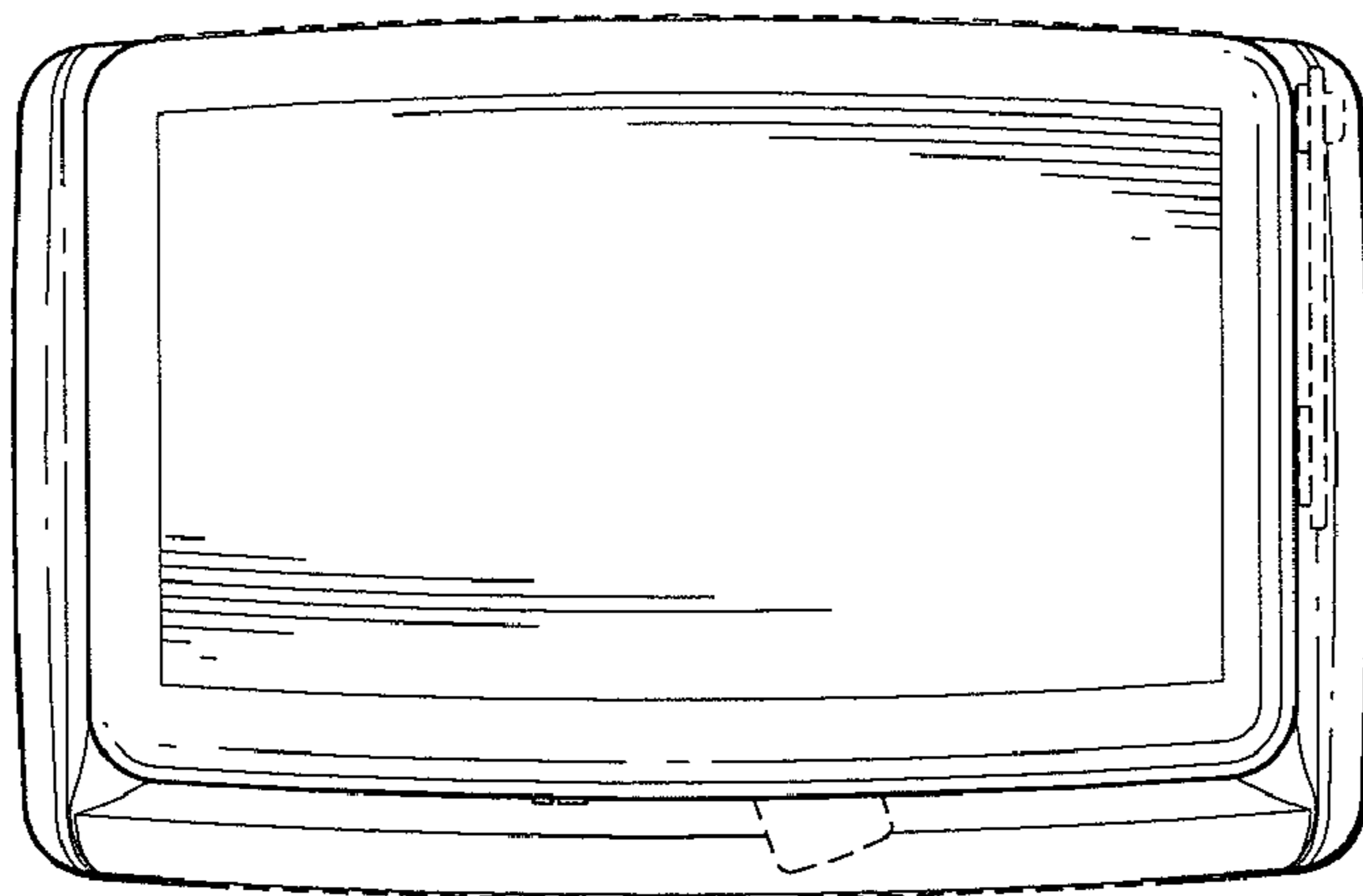


FIG. 16

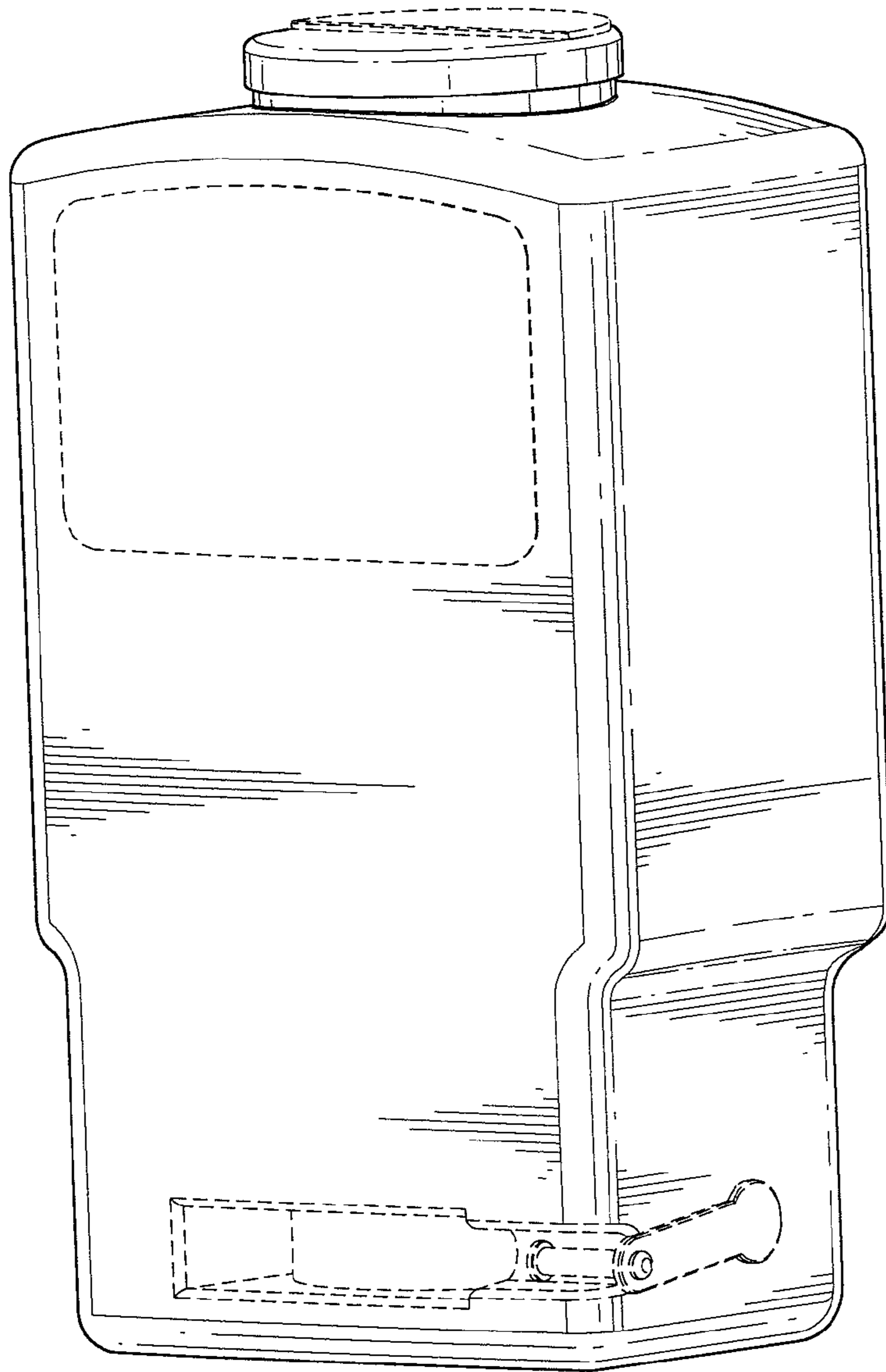


FIG. 17

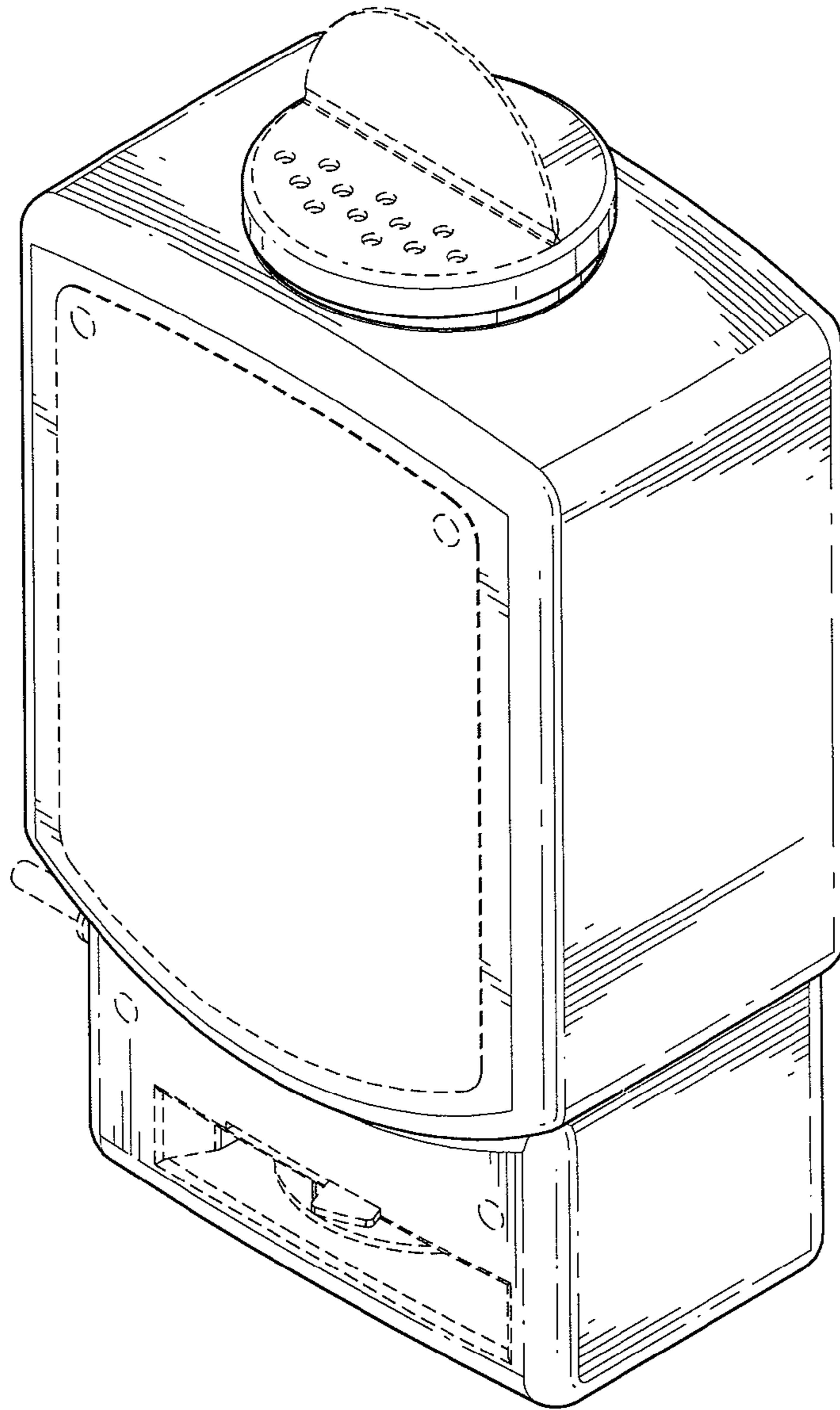


FIG. 18