



US00D552940S

(12) **United States Design Patent**
Claypool et al.

(10) **Patent No.:** **US D552,940 S**

(45) **Date of Patent:** **** Oct. 16, 2007**

(54) **UTENSIL**

(75) Inventors: **Christopher Claypool**, Huntersville, NC (US); **Robert G. McRorie**, Huntersville, NC (US)

(73) Assignee: **Rubbermaid Incorporated**, Huntersville, NC (US)

(**) Term: **14 Years**

(21) Appl. No.: **29/266,503**

(22) Filed: **Sep. 22, 2006**

(51) **LOC (8) Cl.** **07-02**

(52) **U.S. Cl.** **D7/691**

(58) **Field of Classification Search** D7/680-696,
D7/393, 395, 401.2, 653-664; 30/324-328;
294/1.1, 55, 7, 8; 16/110.1, 430, 431; 210/470-478
See application file for complete search history.

(56) **References Cited**

U.S. PATENT DOCUMENTS

D55,215 S *	5/1920	Talbot	D7/681
2,012,637 A *	8/1935	Ribley	30/327
2,174,388 A *	9/1939	Myers	30/328
D274,777 S *	7/1984	Wolff	D7/691
D430,462 S *	9/2000	Short	D7/691

OTHER PUBLICATIONS

Online food service for Vollrath; "Kitchen Essentials"; from www.vollrath.com; 2 pages; Dec. 18, 2006.
On-line food service catalog for Vollrath; "Spoons"; from www.vollrath.com; 1 page; Dec. 18, 2006.
On-line food service catalog for Vollrath; "Ladies"; from www.vollrath.com; 2 pages; Dec. 18, 2006.
On-line food service catalog for Vollrath; "Spoodle®"; from www.vollrath.com; 1 page; Dec. 18, 2006.

* cited by examiner

Primary Examiner—Terry A. Wallace

(74) *Attorney, Agent, or Firm*—Lempia Forman LLC

(57) **CLAIM**

The ornamental design for a "utensil," as shown and described herein.

DESCRIPTION

FIG. 1 is a perspective view showing a front and right side view of an ornamental design for a utensil;

FIG. 2 is a front view of the utensil shown in FIG. 1;

FIG. 3 is a right side view of the utensil shown in FIG. 1, the left side view being a mirror image thereof;

FIG. 4 is a rear view of the utensil shown in FIG. 1;

FIG. 5 is a top end view of the utensil shown in FIG. 1;

FIG. 6 is a bottom end view of the utensil shown in FIG. 1;

FIG. 7 is a perspective view showing a front and right side view of a second embodiment of my new design;

FIG. 8 is a perspective view showing a front and right side view of a third embodiment of my new design;

FIG. 9 is a perspective view showing a front and right side view of a fourth embodiment my new design;

FIG. 10 is a perspective view showing a front and right side view of a fifth embodiment of my new design; and,

FIG. 11 is a perspective view showing a front and right side view of a sixth embodiment of my new design.

The differences in the alternate embodiments are the size of the utensil and the broken line environment. The broken lines are for illustrative purposes only and form no part of the claimed design.

The subject matter shown in dashed lines is not to be considered part of the claimed subject matter.

1 Claim, 5 Drawing Sheets

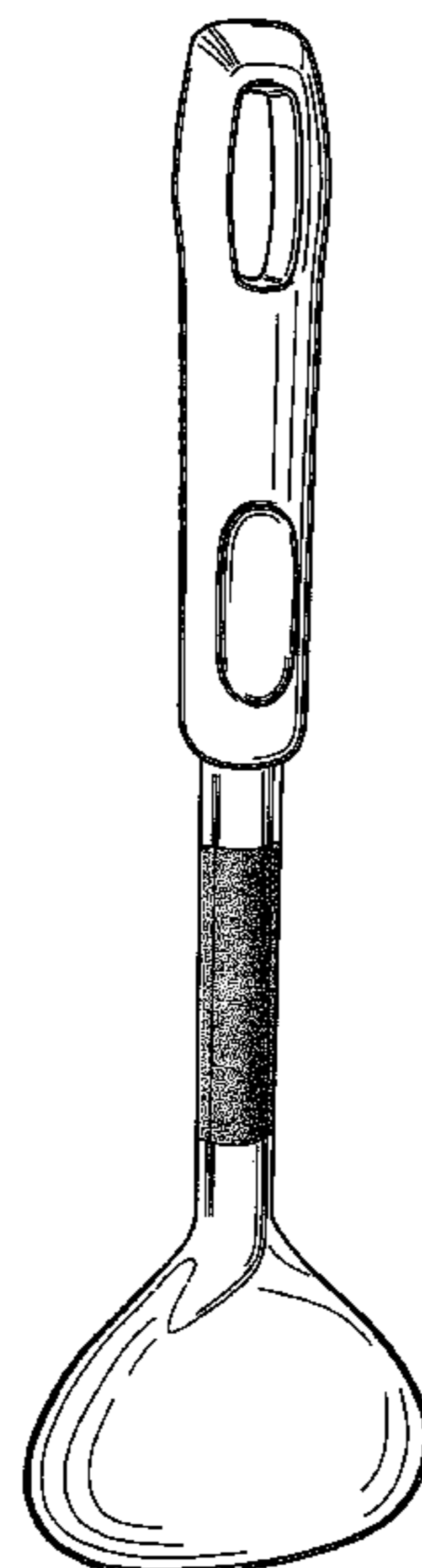


FIG. 1

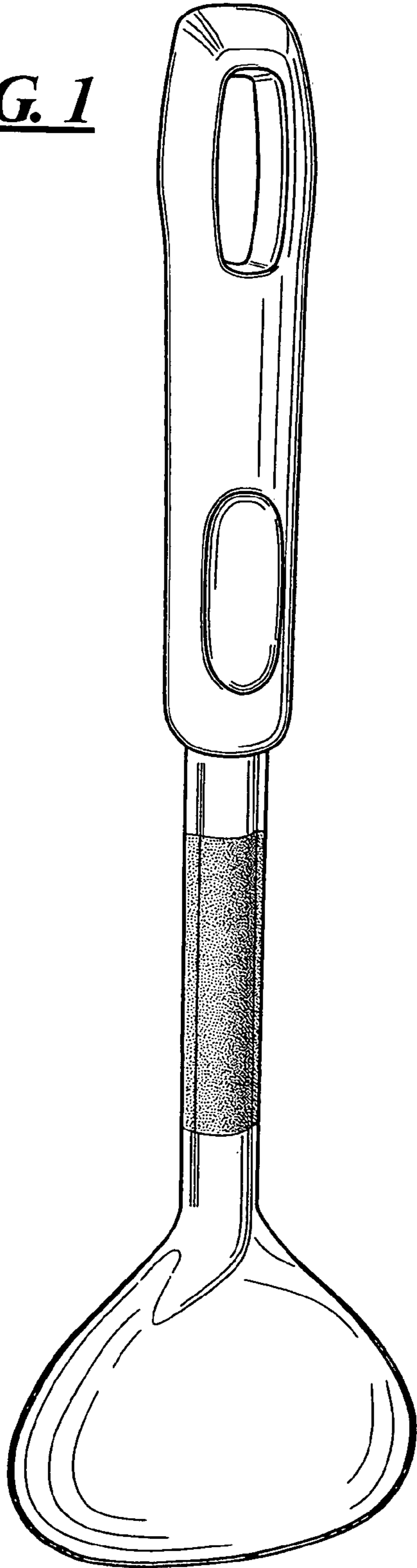


FIG. 2

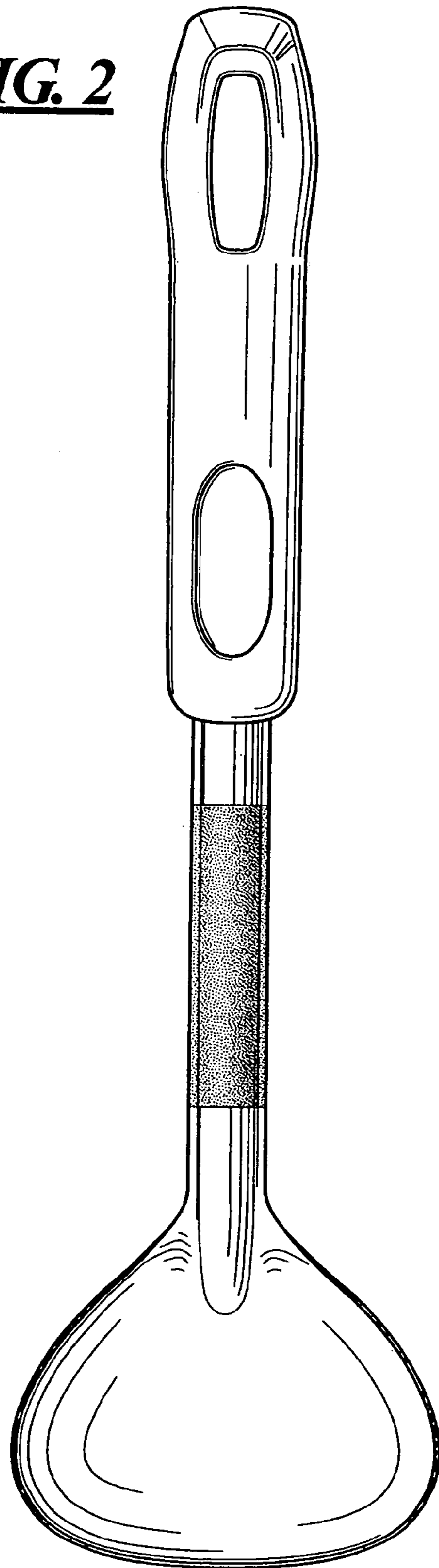


FIG. 3

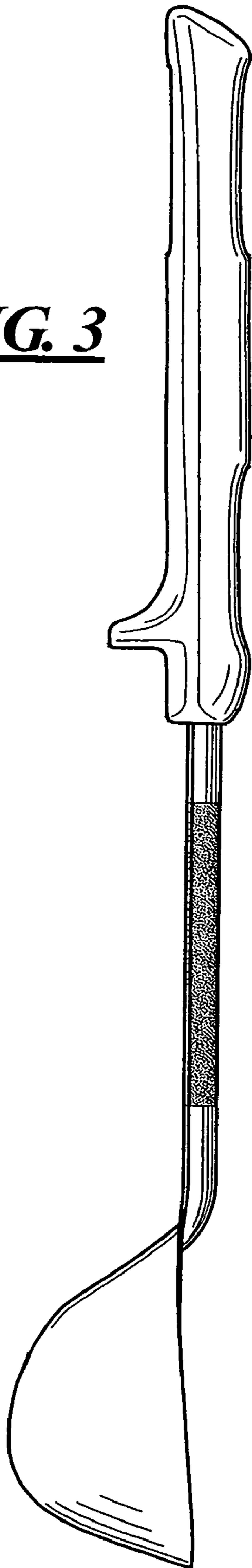


FIG. 4

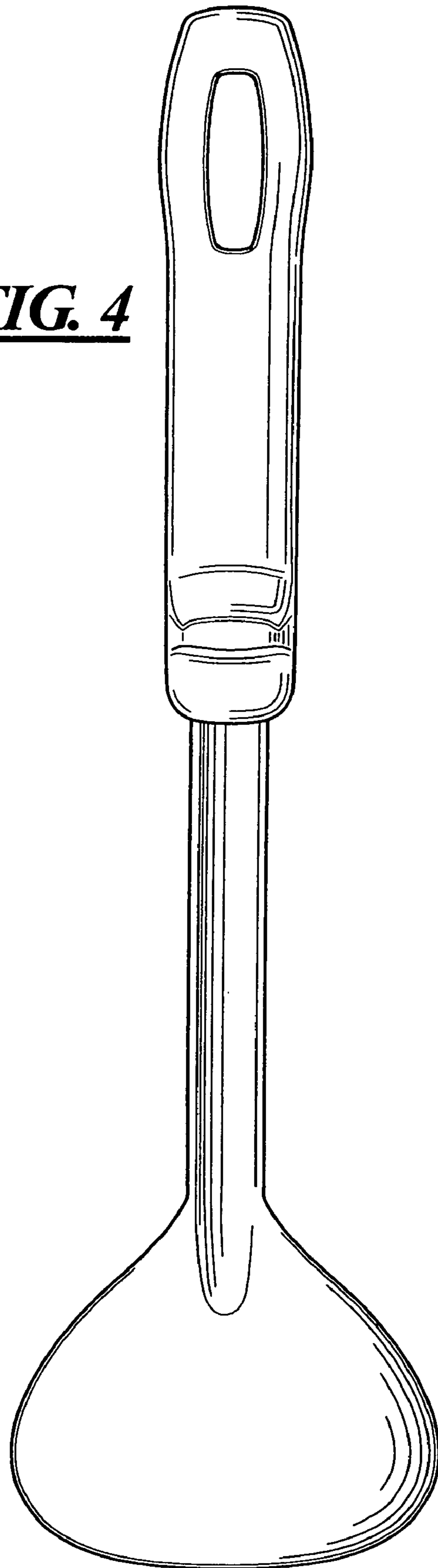


FIG. 5

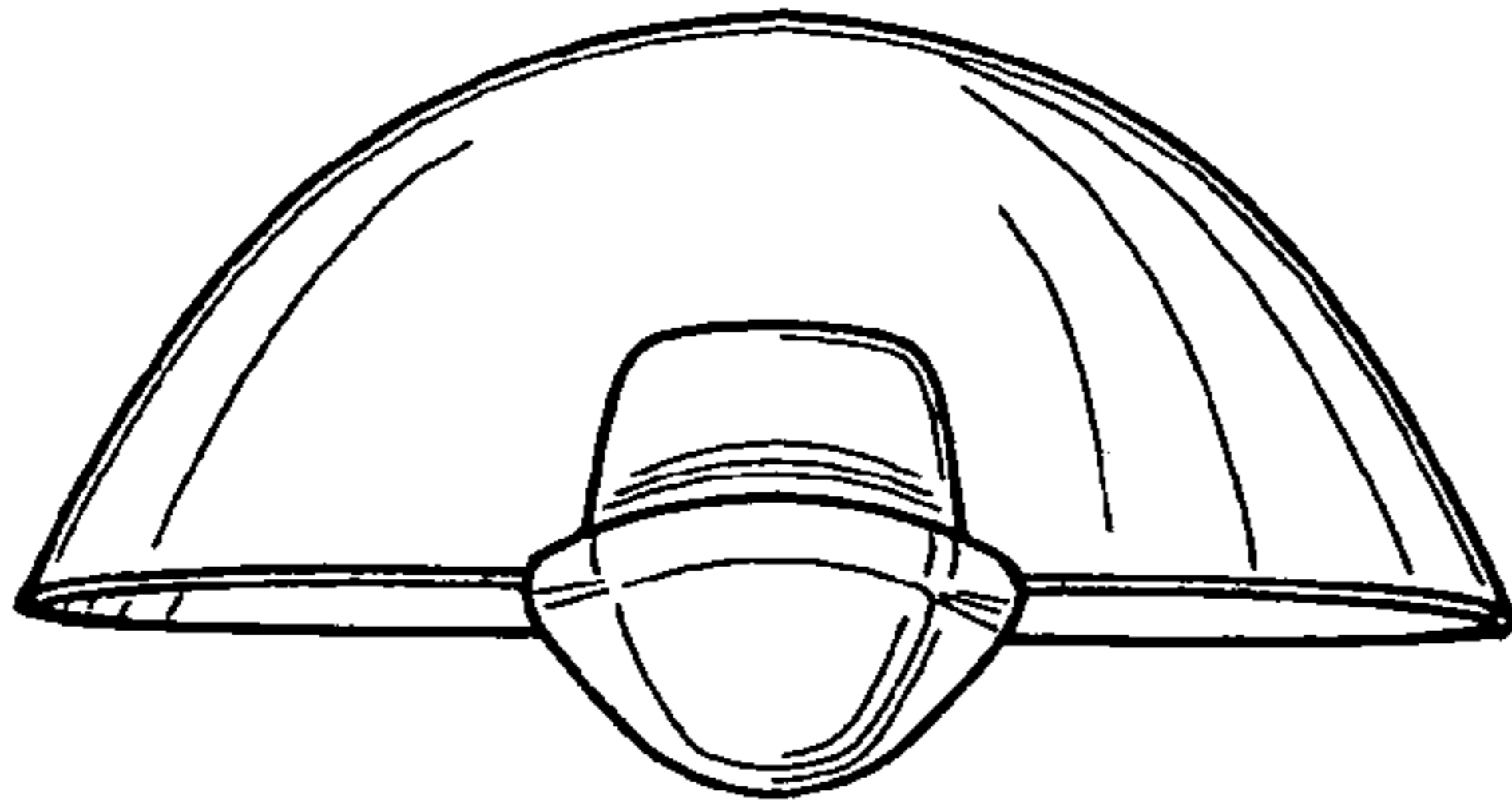


FIG. 7

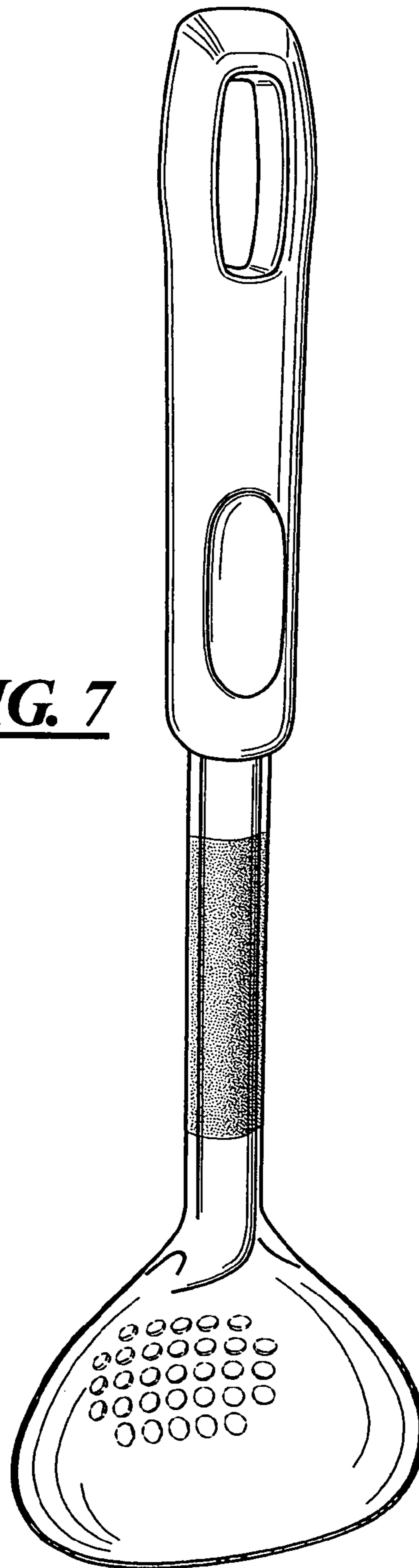
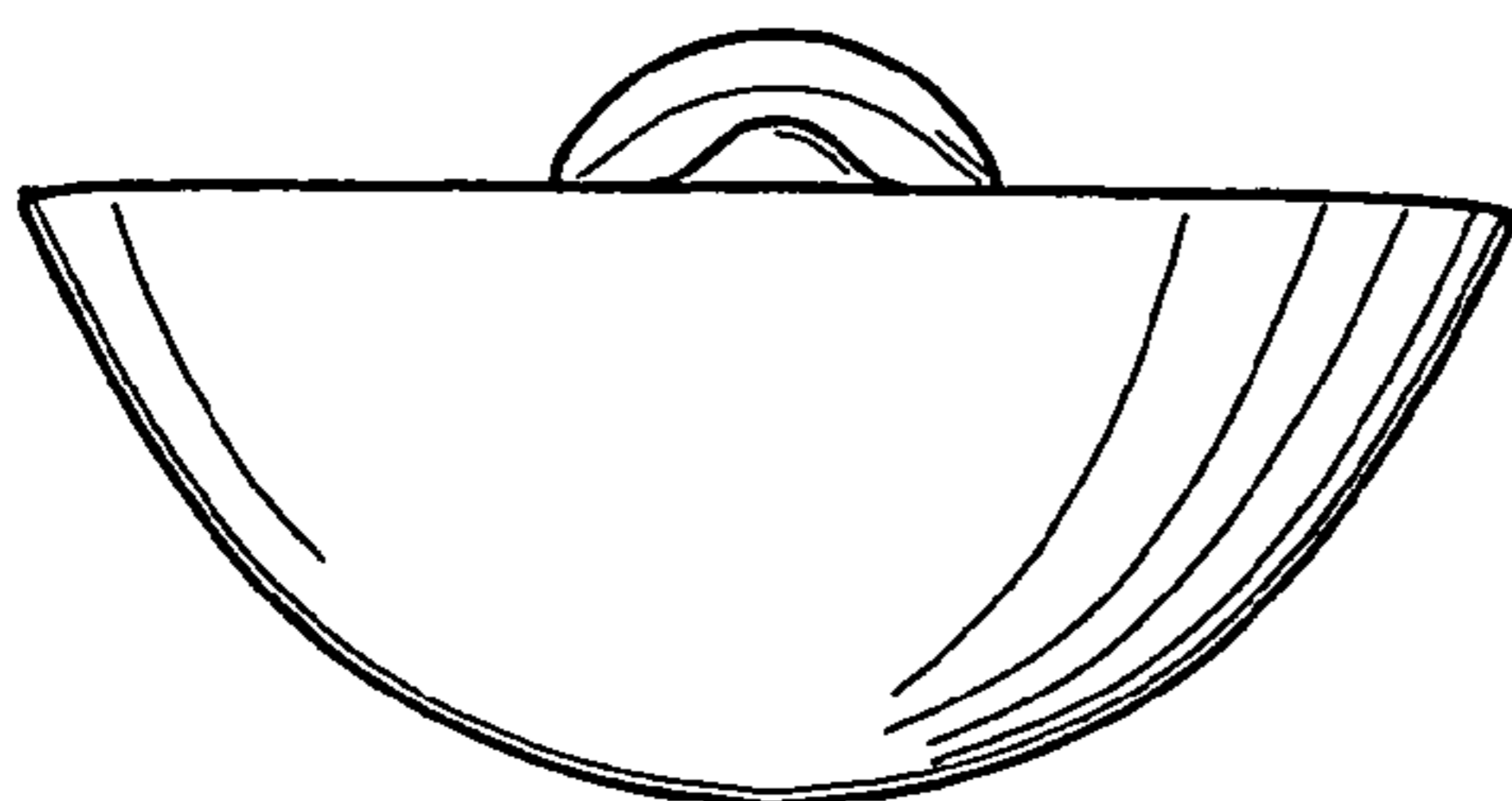


FIG. 6



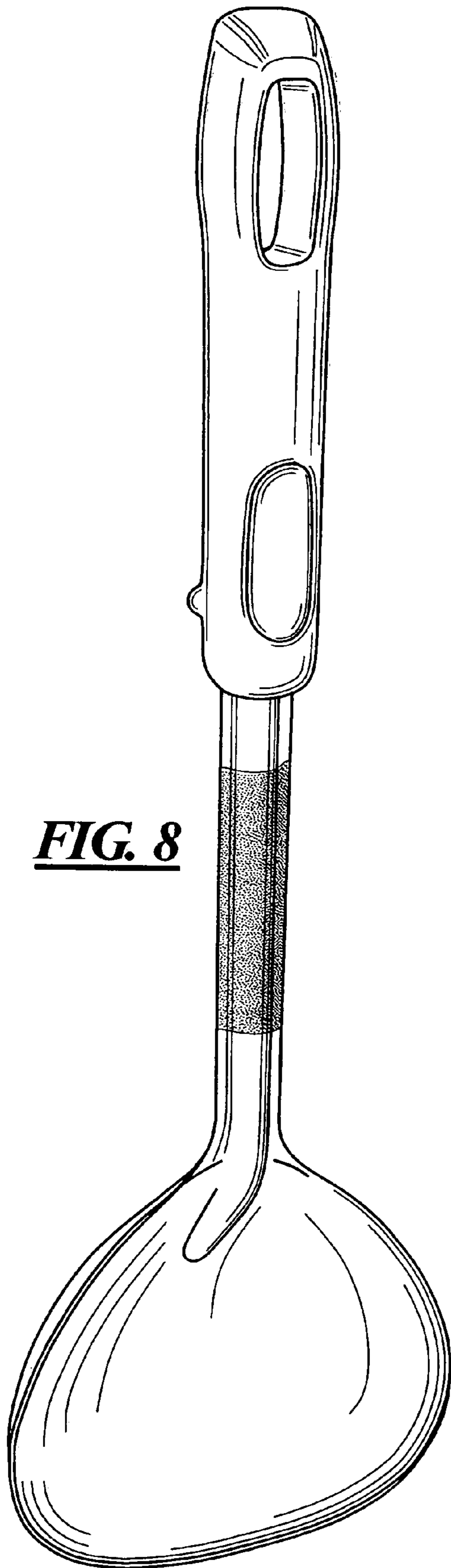


FIG. 8

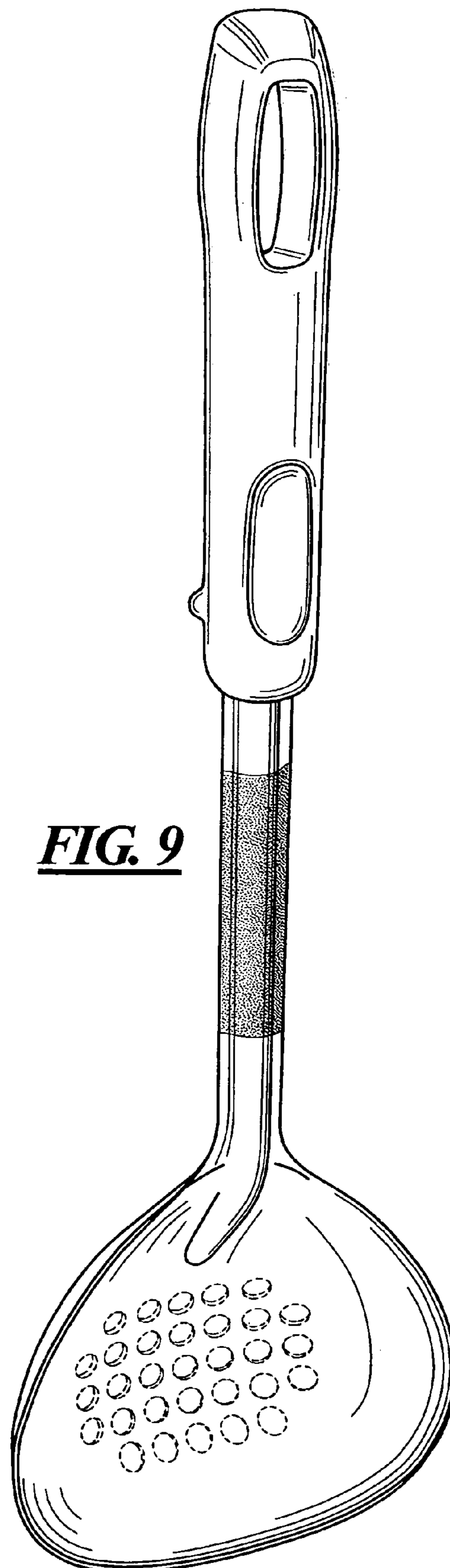


FIG. 9

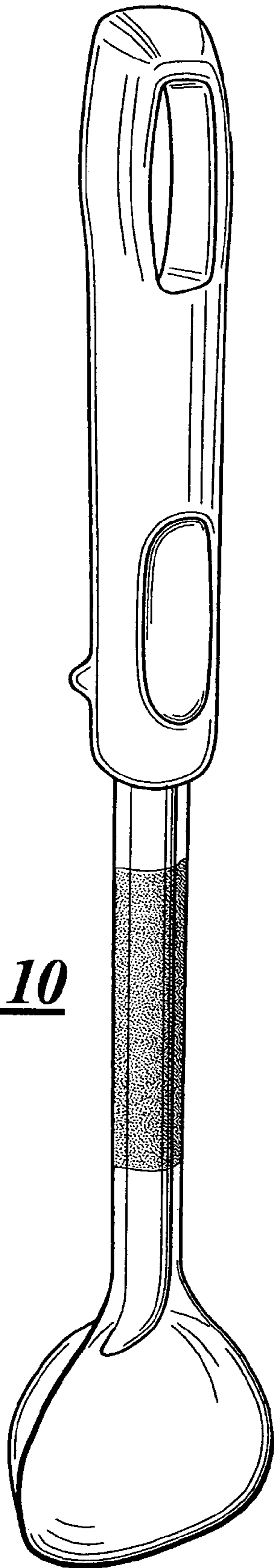


FIG. 10

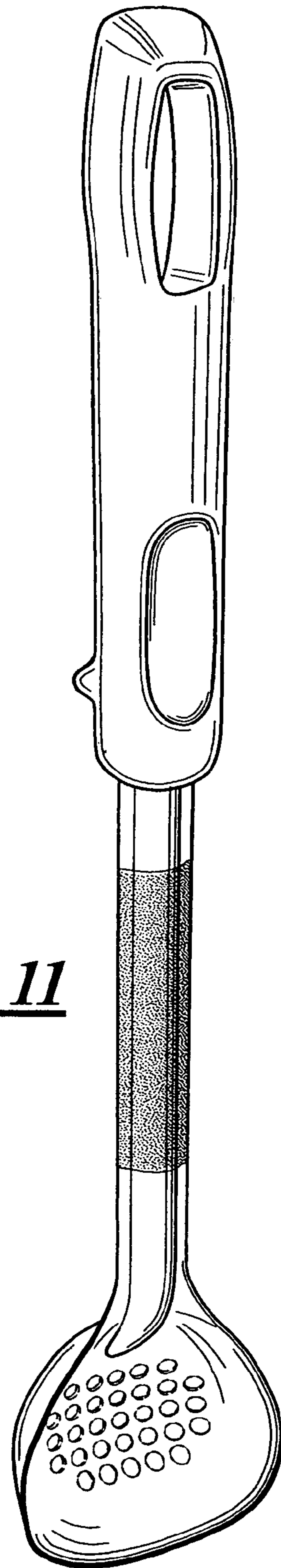


FIG. 11