



US00D552935S

(12) **United States Design Patent**  
**Mirpuri**

(10) **Patent No.:** **US D552,935 S**

(45) **Date of Patent:** **\*\* Oct. 16, 2007**

(54) **QUAD CUTLERY SET**

D497,083 S 10/2004 Welch ..... D7/645

(76) Inventor: **Karishma Mirpuri**, 25B Shelter Rock Rd., Manhasset, NY (US) 11030

\* cited by examiner

(\*\*) Term: **14 Years**

*Primary Examiner*—Mimosa De

*Assistant Examiner*—Ricky Pham

(21) Appl. No.: **29/262,400**

(74) *Attorney, Agent, or Firm*—Our Pal LLC

(22) Filed: **Jun. 30, 2006**

(57) **CLAIM**

(51) **LOC (8) Cl.** ..... **07-03**

The ornamental design for the quad cutlery set, as shown and described.

(52) **U.S. Cl.** ..... **D7/642**

**DESCRIPTION**

(58) **Field of Classification Search** ..... D7/368,  
D7/401.2, 642–664, 688–692, 669, 675, 676,  
D7/683; 30/137, 141, 142, 340, 147–150,  
30/322–329, 342–345; 416/70 R

FIG. 1 is an isometric perspective view of the front side of the fork of the quad cutlery set of this invention.

FIG. 2 is a front elevation there of.

FIG. 3 is a back elevation there of.

FIG. 4 is a side elevation there of.

FIG. 5 is an isometric perspective view of the knife of the quad cutlery set of this invention.

FIG. 6 is a front elevation there of wherein back elevation is identical mirror image.

FIG. 7 is a side elevation there of.

FIG. 8 is an isometric perspective view of the front side of the teaspoon of the quad cutlery set of this invention.

FIG. 9 is a front elevation there of.

FIG. 10 is a rear elevation there of.

FIG. 11 is a side elevation there of.

FIG. 12 is an isometric perspective view of the front side of the soup spoon of the quad cutlery set of this invention.

FIG. 13 is a front elevation there of.

FIG. 14 is a rear elevation there of; and,

FIG. 15 is a side elevation there of.

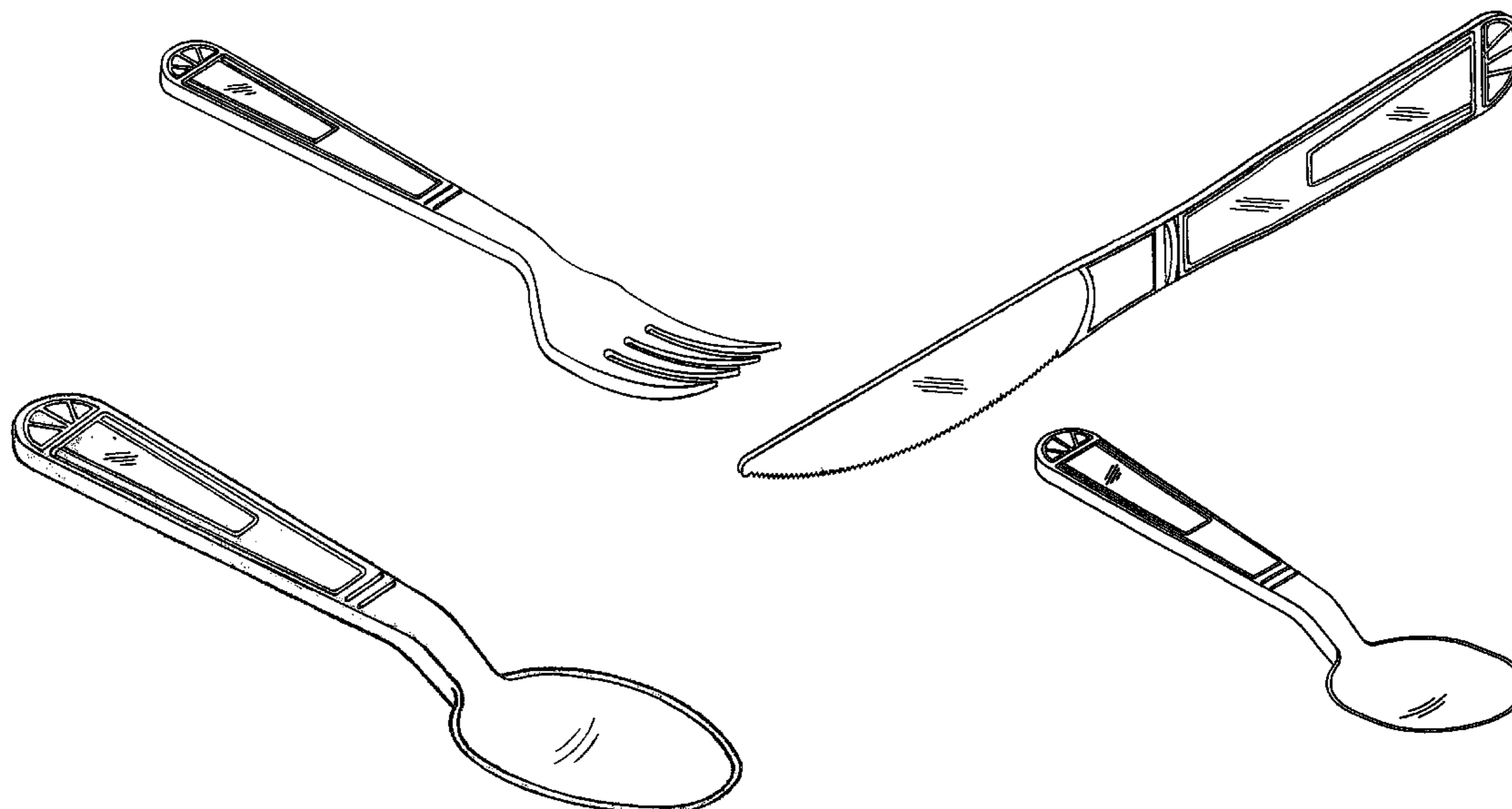
See application file for complete search history.

(56) **References Cited**

**U.S. PATENT DOCUMENTS**

D80,592 S *	2/1930	Warren	.....	D7/653
D108,538 S *	2/1938	Flauder	.....	D7/653
D109,075 S *	3/1938	Allen et al.	.....	D7/662
D109,076 S *	3/1938	Cheron	.....	D7/653
D137,913 S *	5/1944	Gustafson	.....	D7/653
D244,000 S	4/1977	Zephries	.....	D7/137
D245,386 S	8/1977	Manderfield	.....	D7/137
D254,470 S	3/1980	Knope	.....	D7/137
D263,921 S	4/1982	Hube	.....	D7/137
D278,018 S	3/1985	Richmond, II	.....	D7/150
D306,676 S	3/1990	Gebhardt	.....	D7/653
D319,166 S	8/1991	Gebhardt	.....	D7/645
D341,754 S *	11/1993	Marsten et al.	.....	D7/653
D366,991 S	2/1996	Bulgari	.....	D7/645
D391,453 S *	3/1998	Iacovelli	.....	D7/650
D393,781 S *	4/1998	Iacovelli	.....	D7/653
D440,831 S	4/2001	Welch et al.	.....	D7/645
D468,594 S *	1/2003	Martin	.....	D7/654
D470,020 S	2/2003	Whitworth et al.	.....	D7/645
D492,549 S	7/2004	Welch	.....	D7/645

**1 Claim, 8 Drawing Sheets**



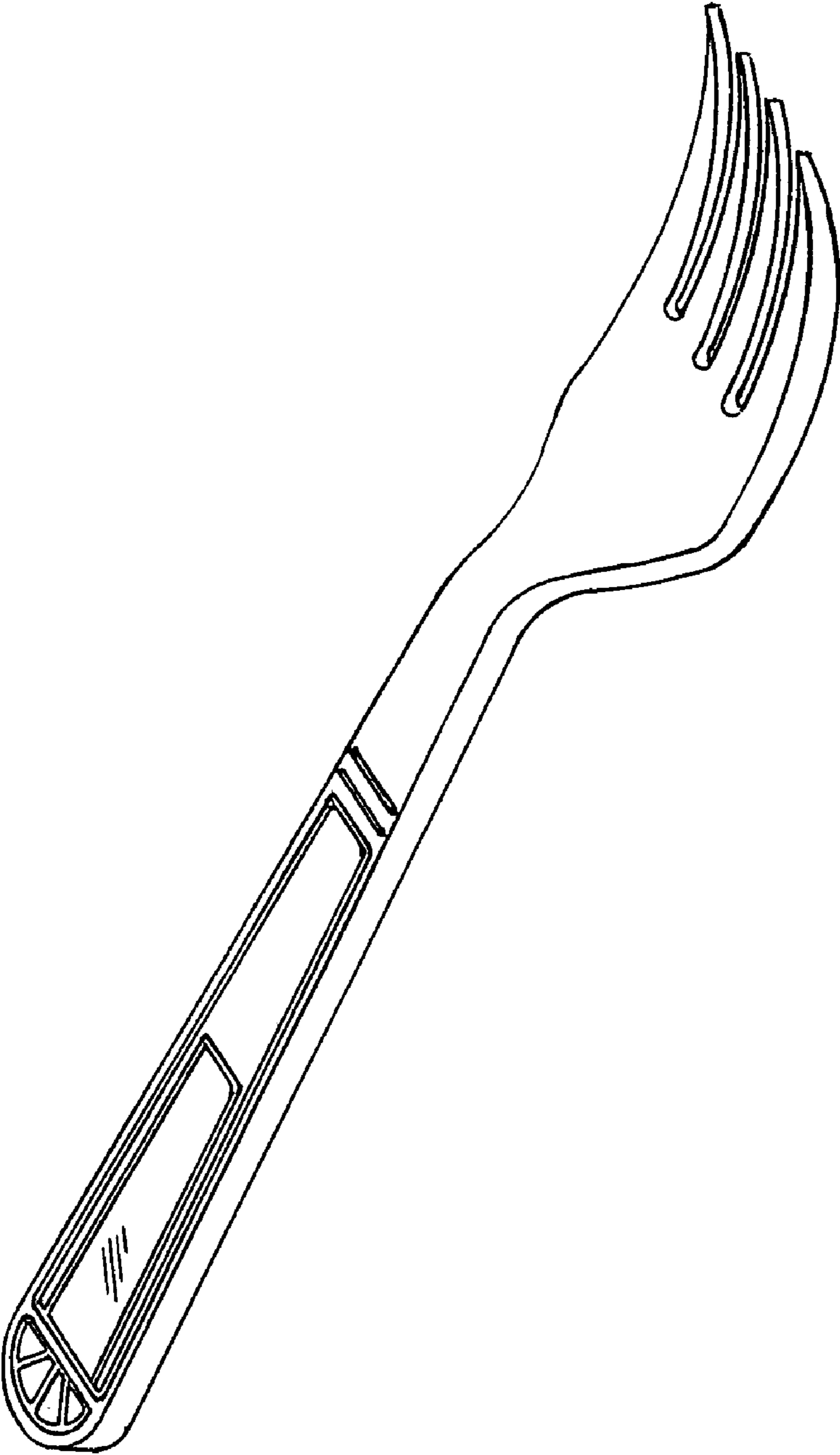


Fig. 1

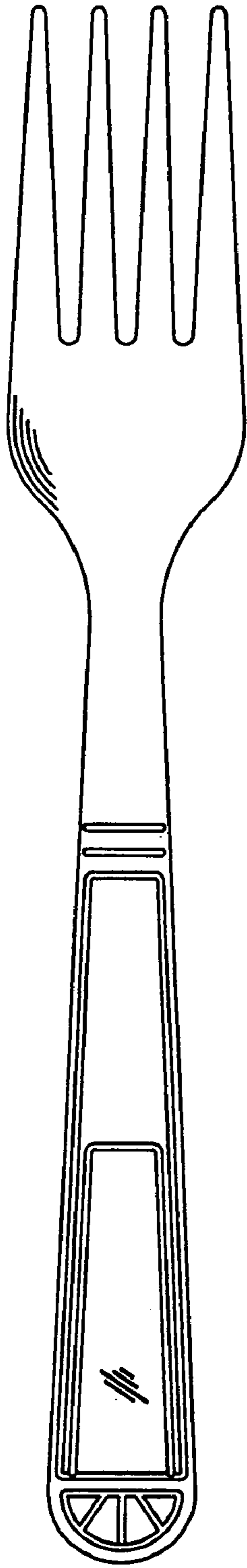


FIG 2

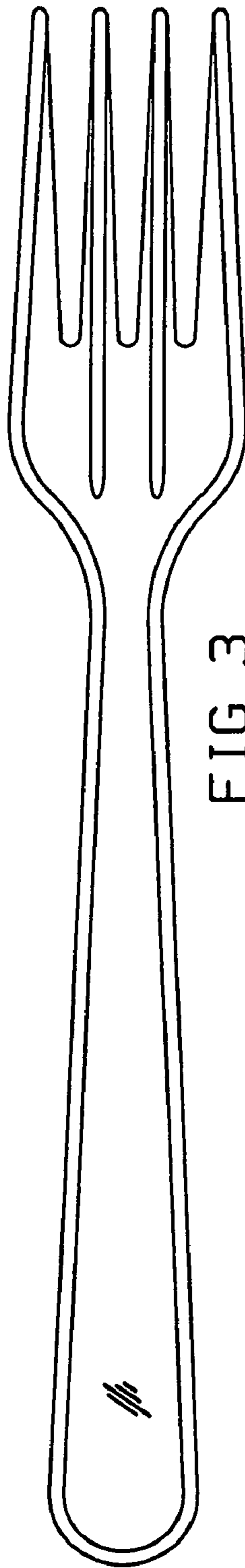


FIG 3

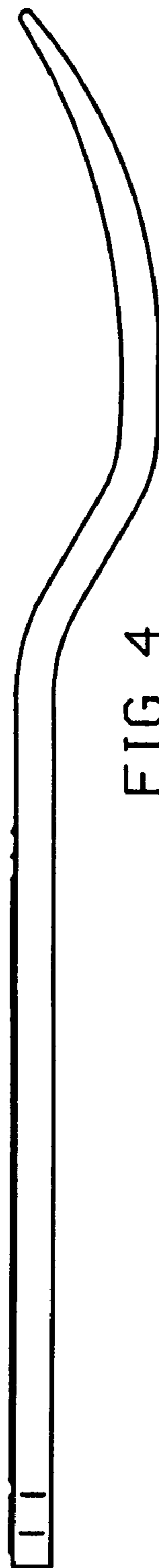
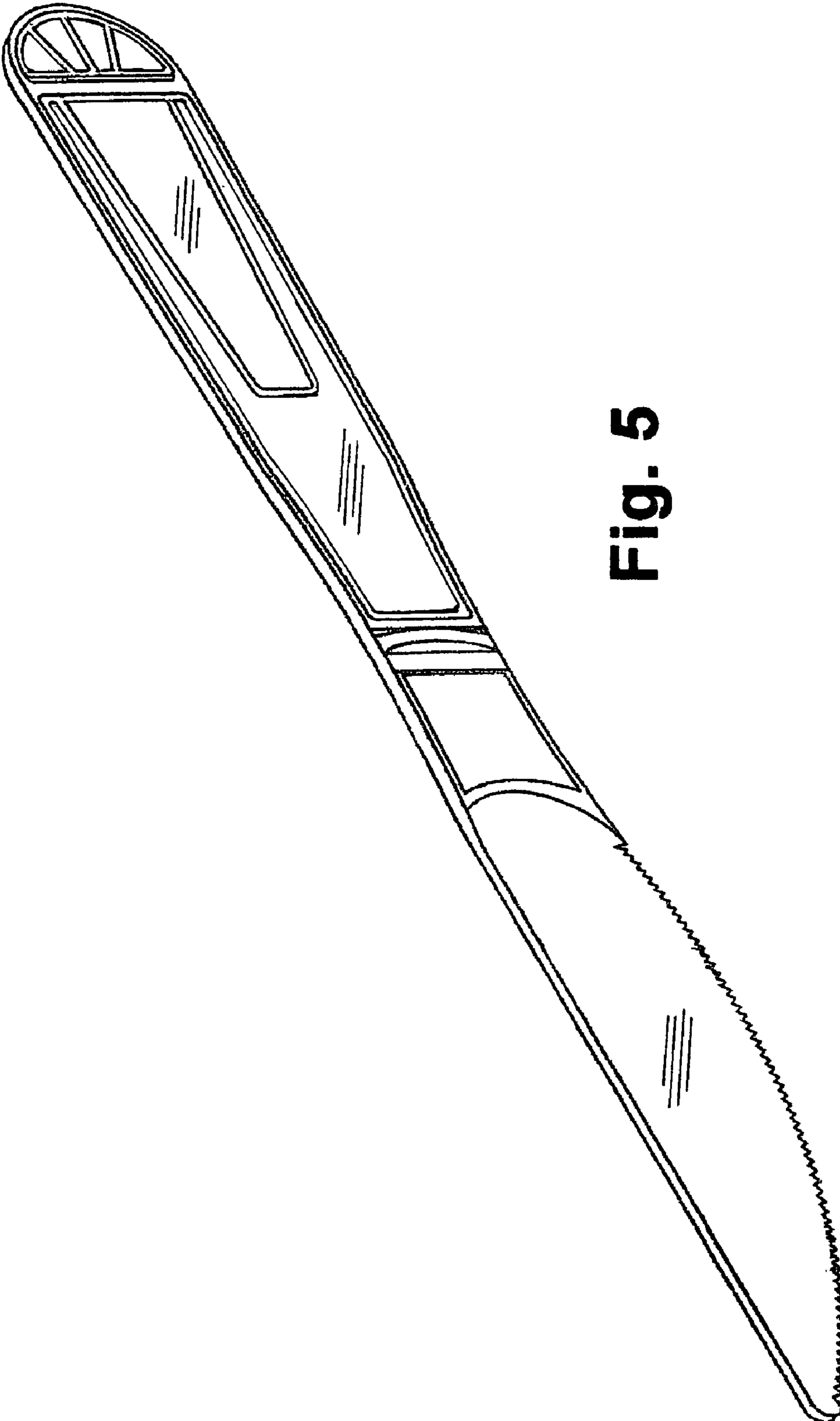
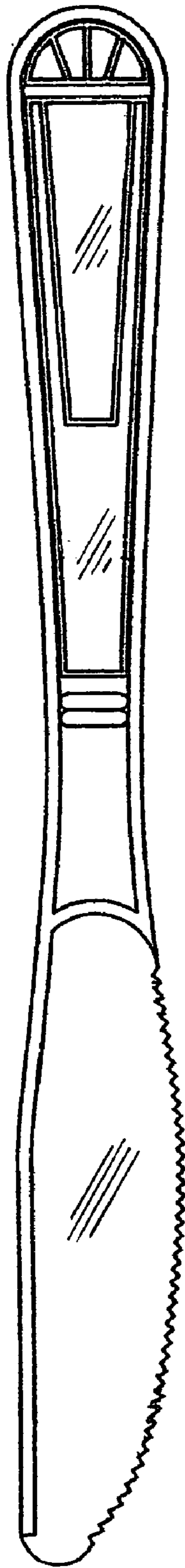


FIG 4



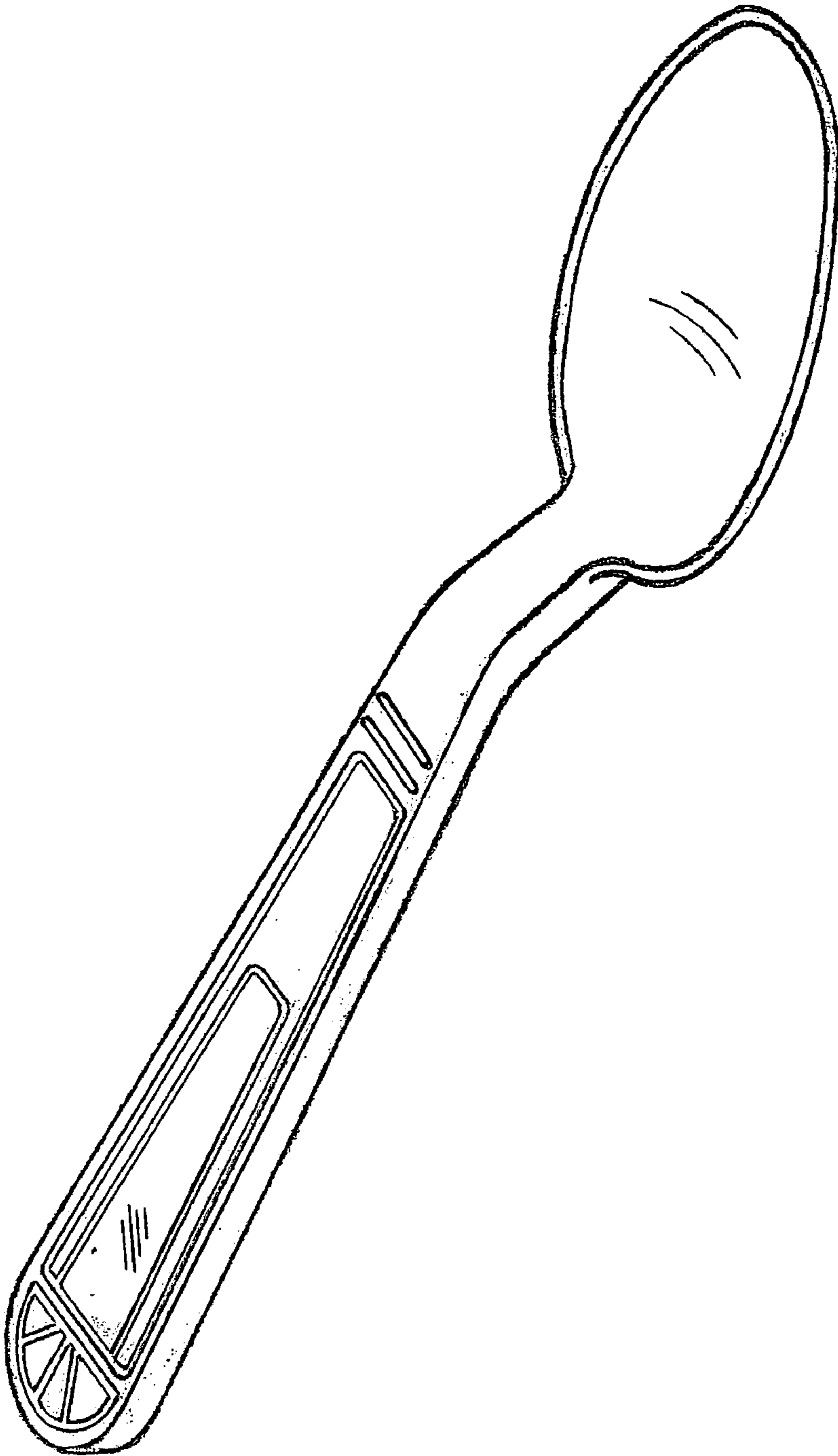
**Fig. 5**



**Fig. 6**



**Fig. 7**



**Fig. 8**

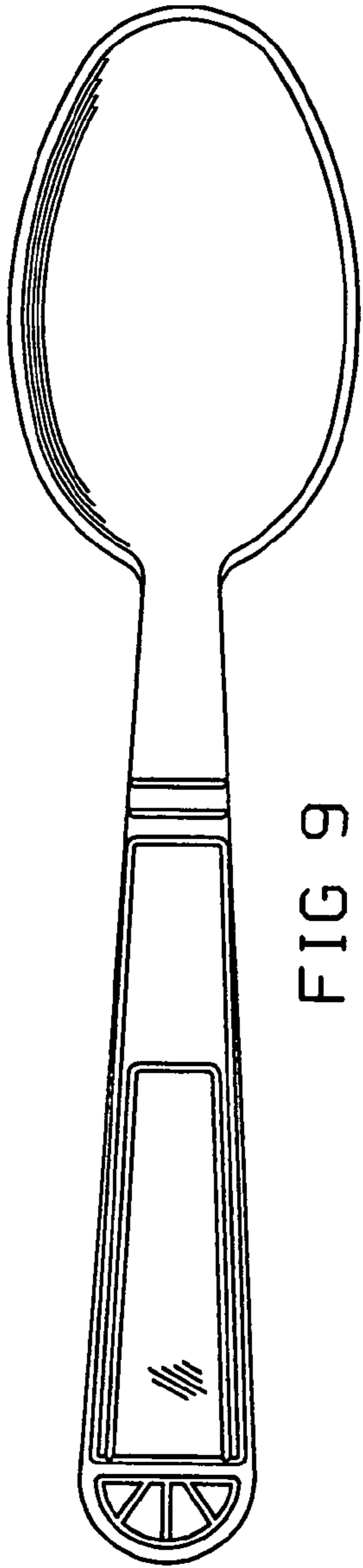


FIG 9

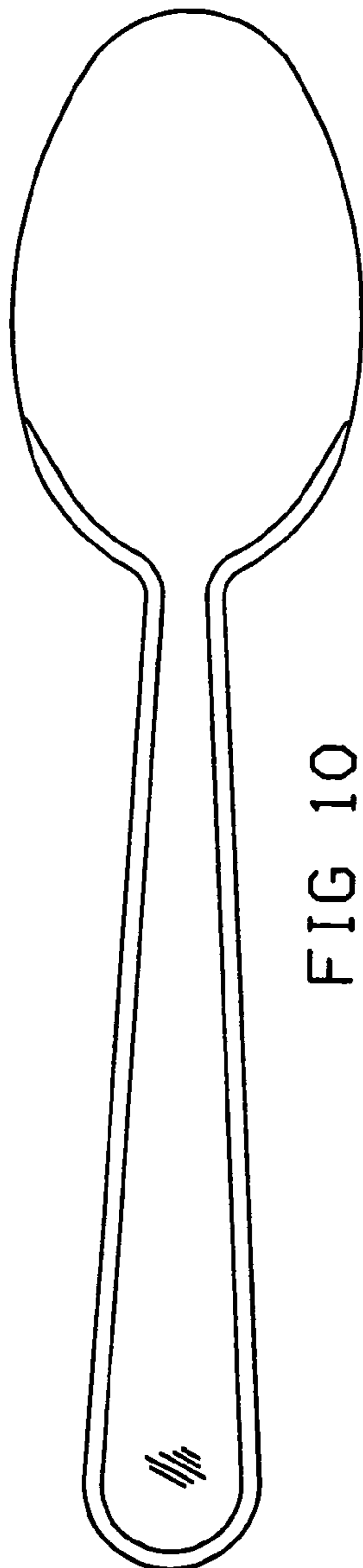


FIG 10

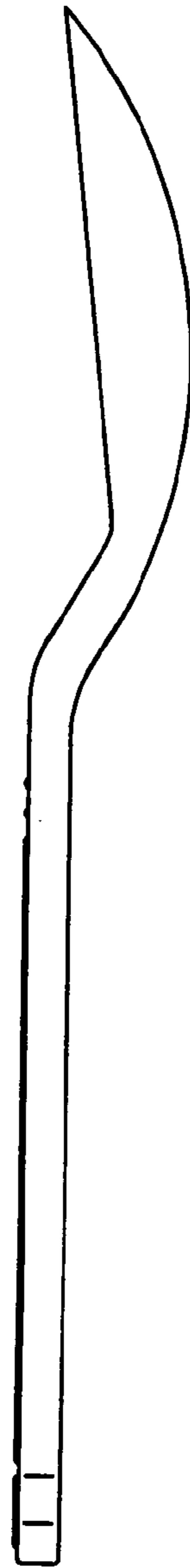


FIG 11

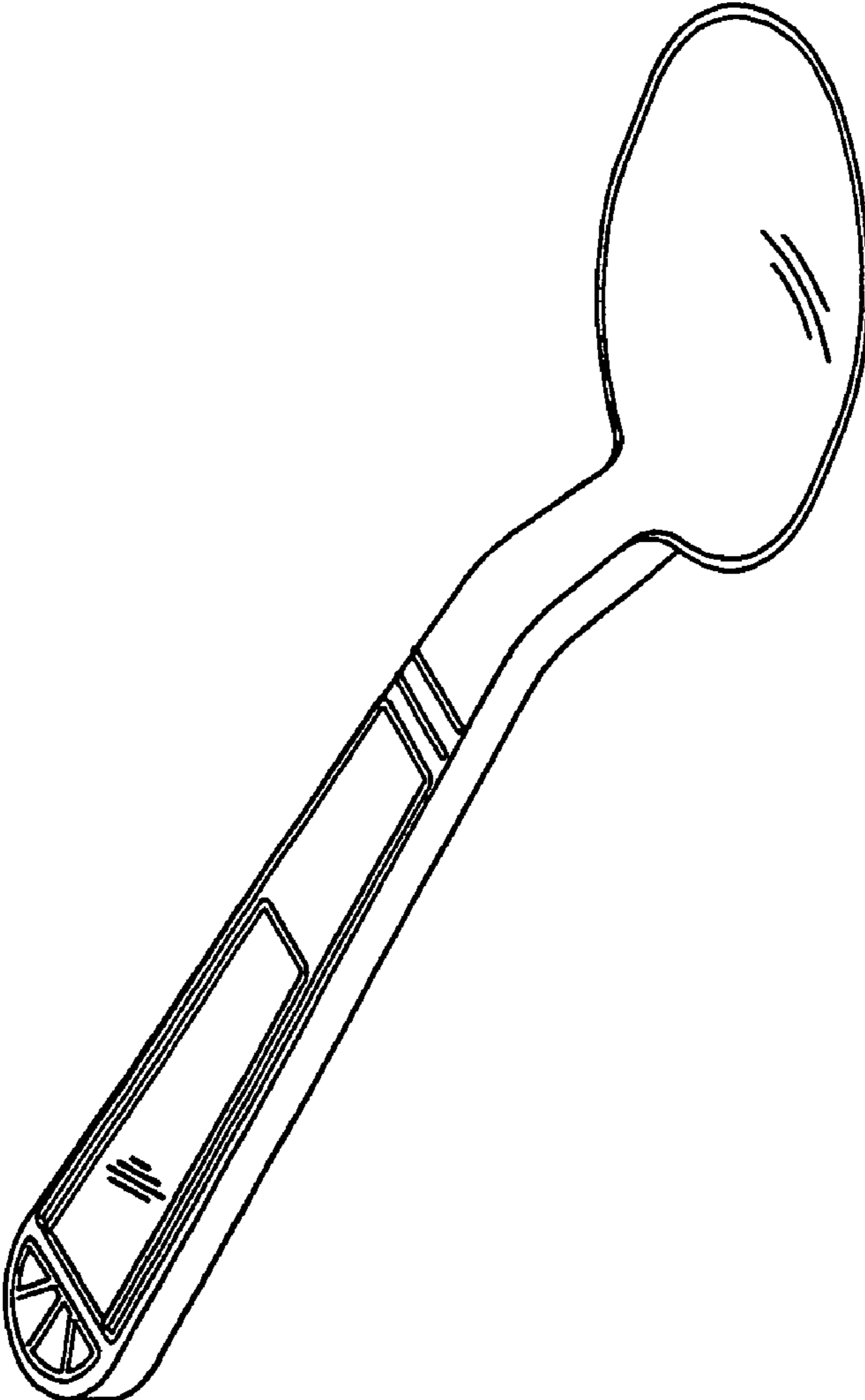


FIG 12



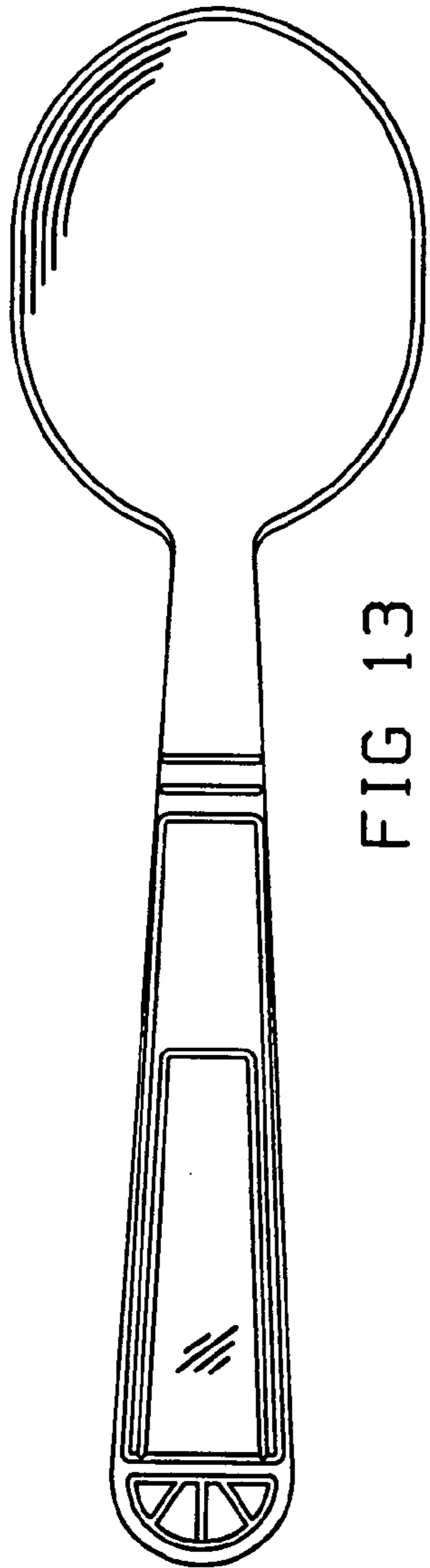


FIG 13

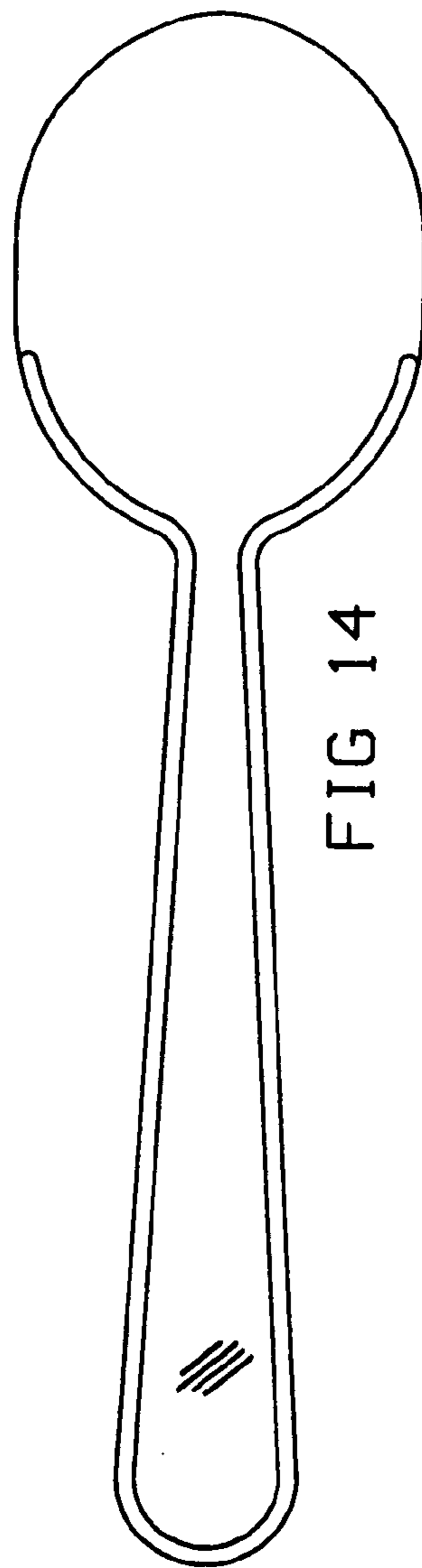


FIG 14

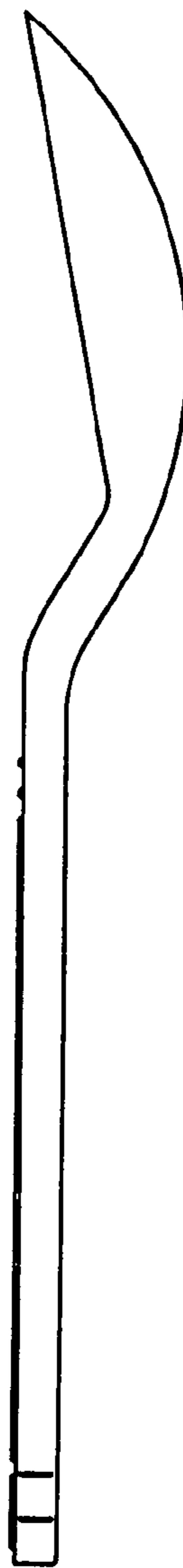


FIG 15