



US00D552932S

(12) **United States Design Patent**  
**Carlson**

(10) **Patent No.:** **US D552,932 S**

(45) **Date of Patent:** **\*\* Oct. 16, 2007**

(54) **SOUP MUG**

(75) **Inventor:** **Arthur Richard Carlson**, Hawthorn East (AU)

(73) **Assignee:** **The Décor Corporation Pty Ltd.**, Victoria (AU)

(\*\*) **Term:** **14 Years**

(21) **Appl. No.:** **29/263,382**

(22) **Filed:** **Jul. 21, 2006**

(51) **LOC (8) Cl.** ..... **07-01**

(52) **U.S. Cl.** ..... **D7/536; D7/533; D7/509**

(58) **Field of Classification Search** ..... D7/319, D7/361, 396.2, 500, 509, 510, 513-515, 518, D7/521, 531-536, 538, 541, 545, 601, 613, D7/622; D3/271.6; D8/DIG. 9; D9/516, D9/555, 600, 636, 716, 718, 741, 751; D24/122; D25/7, 102, 104, 117, 130; D26/11; D34/7, D34/9; 206/520; 215/DIG. 7, 387; 220/DIG. 13, 220/4.06, 4.24, 507, 516, 592.16, 592.17, 220/669, 710.5; 229/400, 402

See application file for complete search history.

(56) **References Cited**

**U.S. PATENT DOCUMENTS**

- D165,834 S \* 2/1952 Gardner ..... D7/536
- D221,174 S \* 7/1971 Benes ..... D7/536
- D293,293 S \* 12/1987 Isles ..... D7/396.6
- D321,113 S \* 10/1991 Unger ..... D7/536

- D356,234 S \* 3/1995 Wolfenden ..... D7/536
- D363,415 S \* 10/1995 Carlson ..... D7/536
- D396,605 S \* 8/1998 Benson ..... D7/536
- D462,579 S \* 9/2002 Janky ..... D7/536
- D465,132 S \* 11/2002 Janky et al. .... D7/510

\* cited by examiner

*Primary Examiner*—Philip S. Hyder

*Assistant Examiner*—Cynthia Underwood

(74) *Attorney, Agent, or Firm*—Meyertons, Hood, Kivlin, Kowert & Goetzel, P.C.; Eric B. Meyertons

(57) **CLAIM**

The ornamental design for the soup mug, as shown and described.

**DESCRIPTION**

FIG. 1 is a perspective view of the soup mug that emphasizes the top of the soup mug.

FIG. 2 is a perspective view of the soup mug that emphasizes the bottom of the soup mug.

FIG. 3 is a front view of the soup mug.

FIG. 4 is a rear view of the soup mug.

FIG. 5 is a right side view of the soup mug.

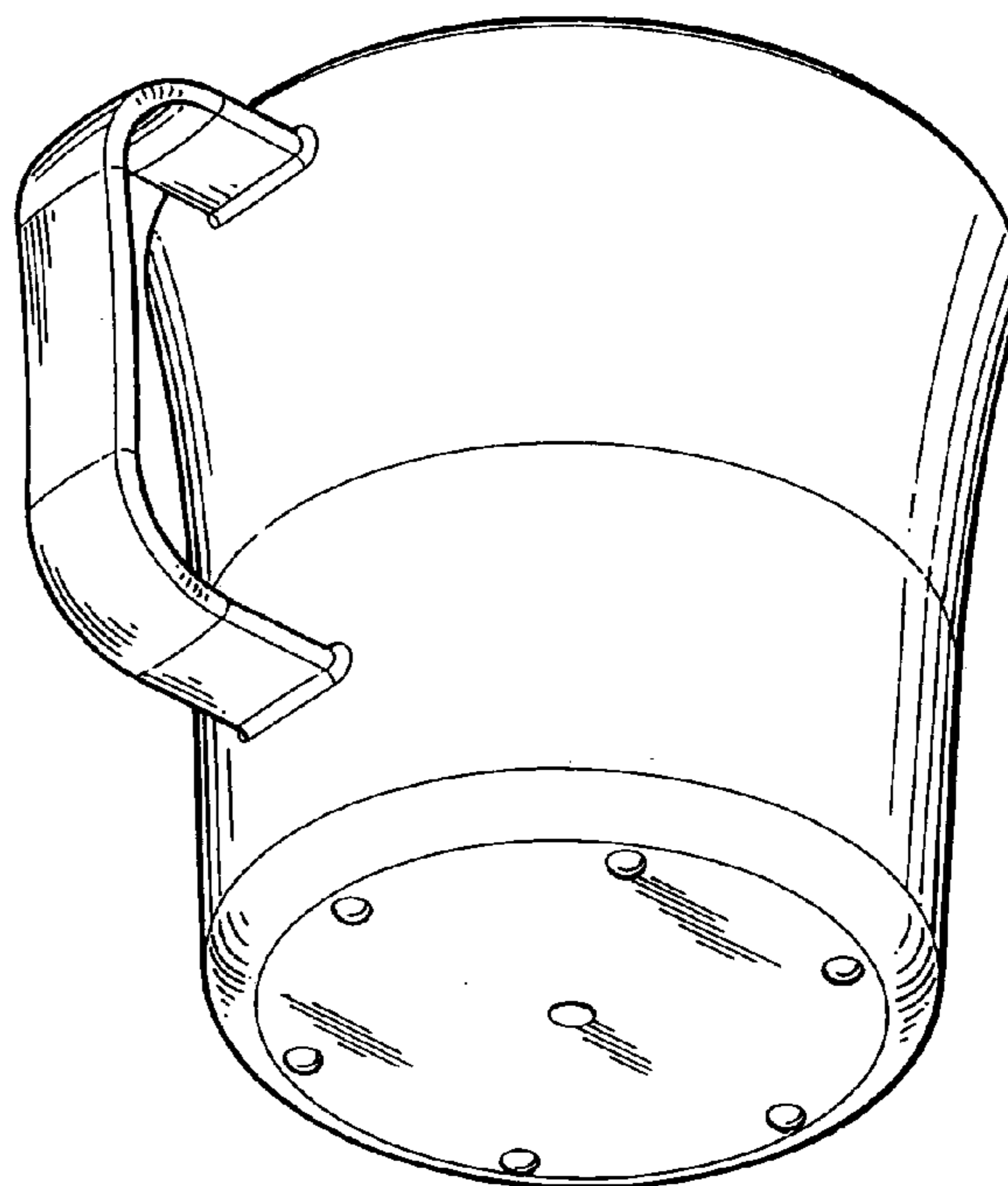
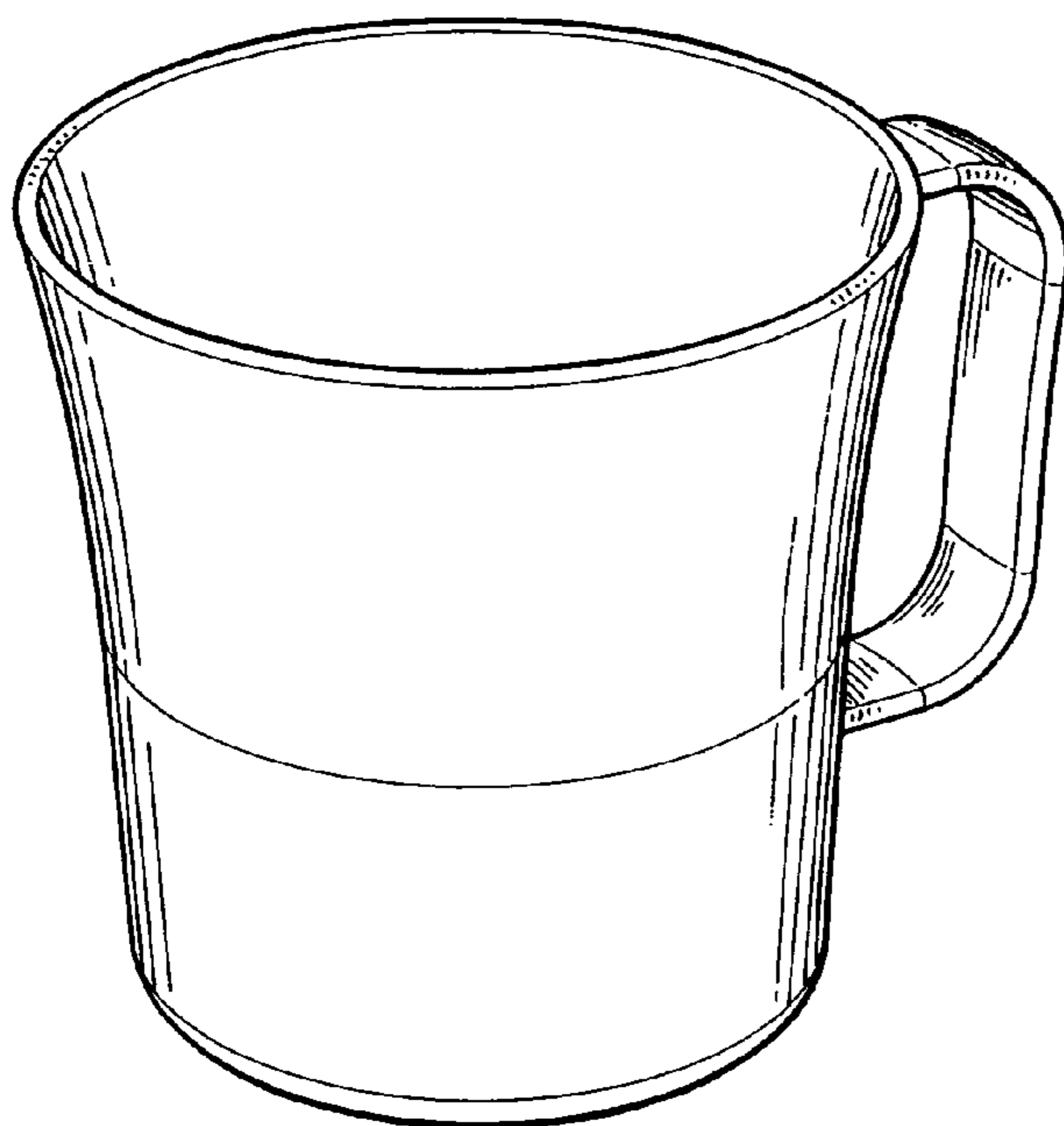
FIG. 6 is a left side view of the soup mug.

FIG. 7 is a top view of the soup mug; and,

FIG. 8 is a bottom view of the soup mug.

The broken lines form no part of the claimed design.

**1 Claim, 4 Drawing Sheets**



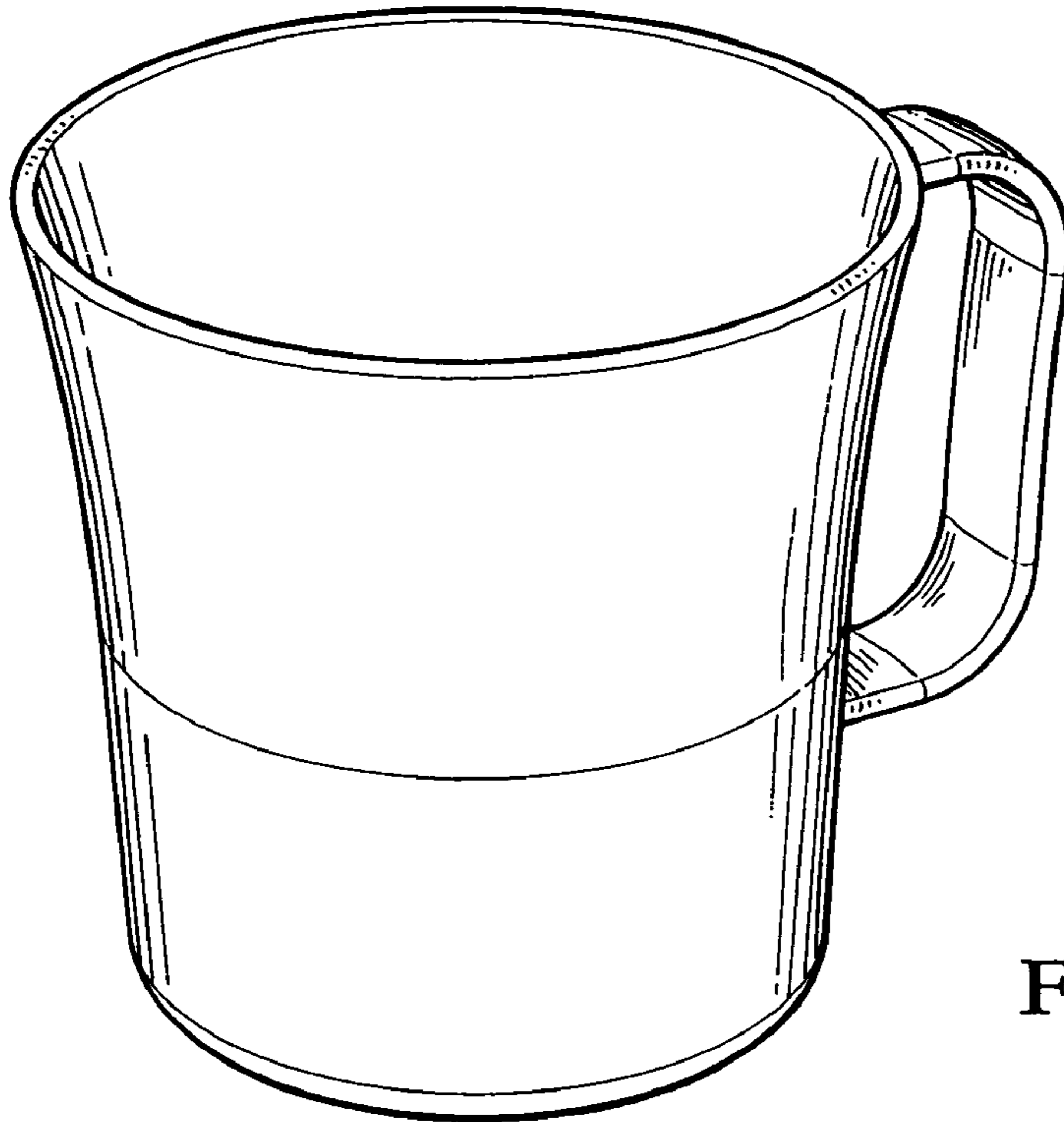


Fig. 1

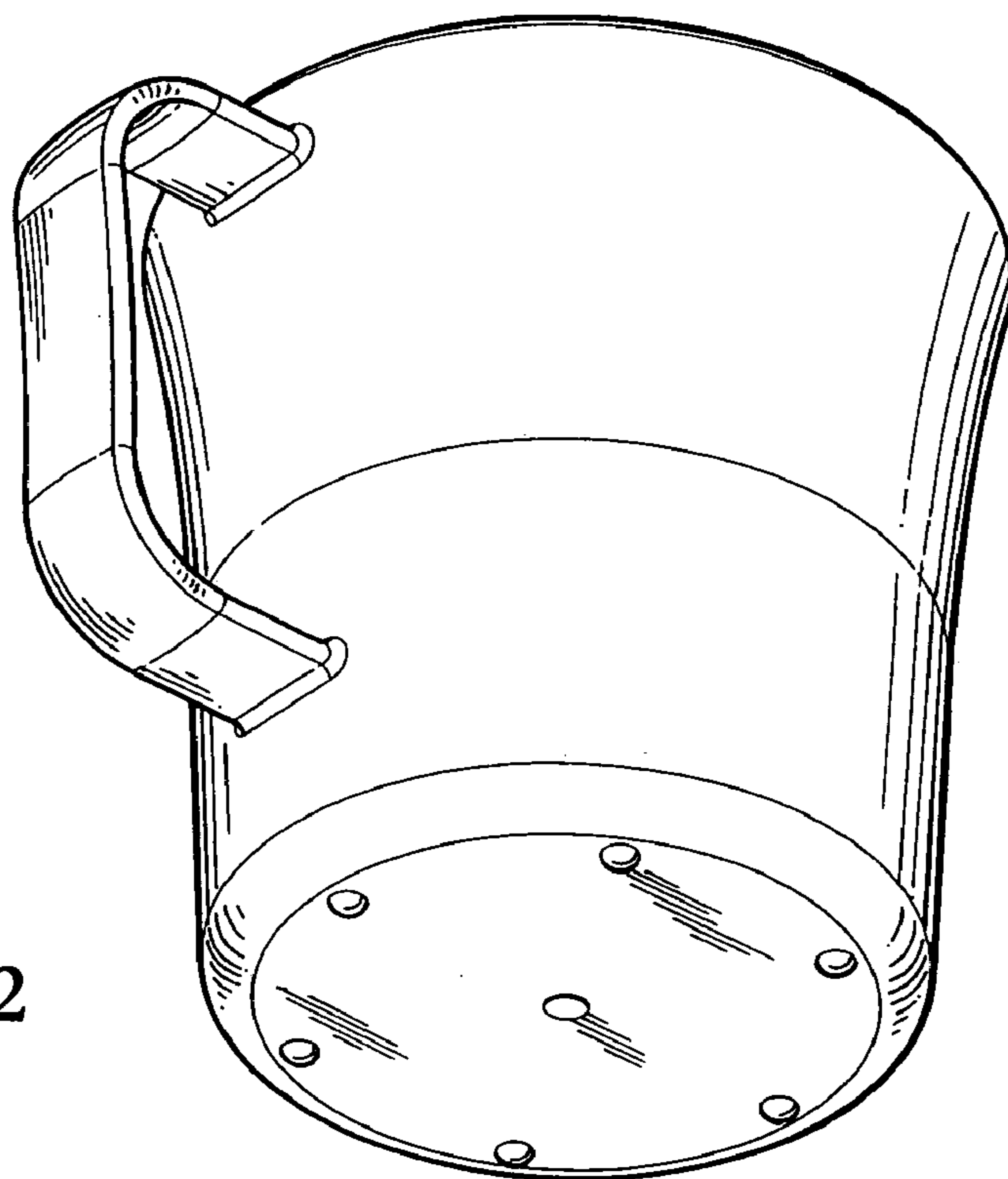


Fig. 2

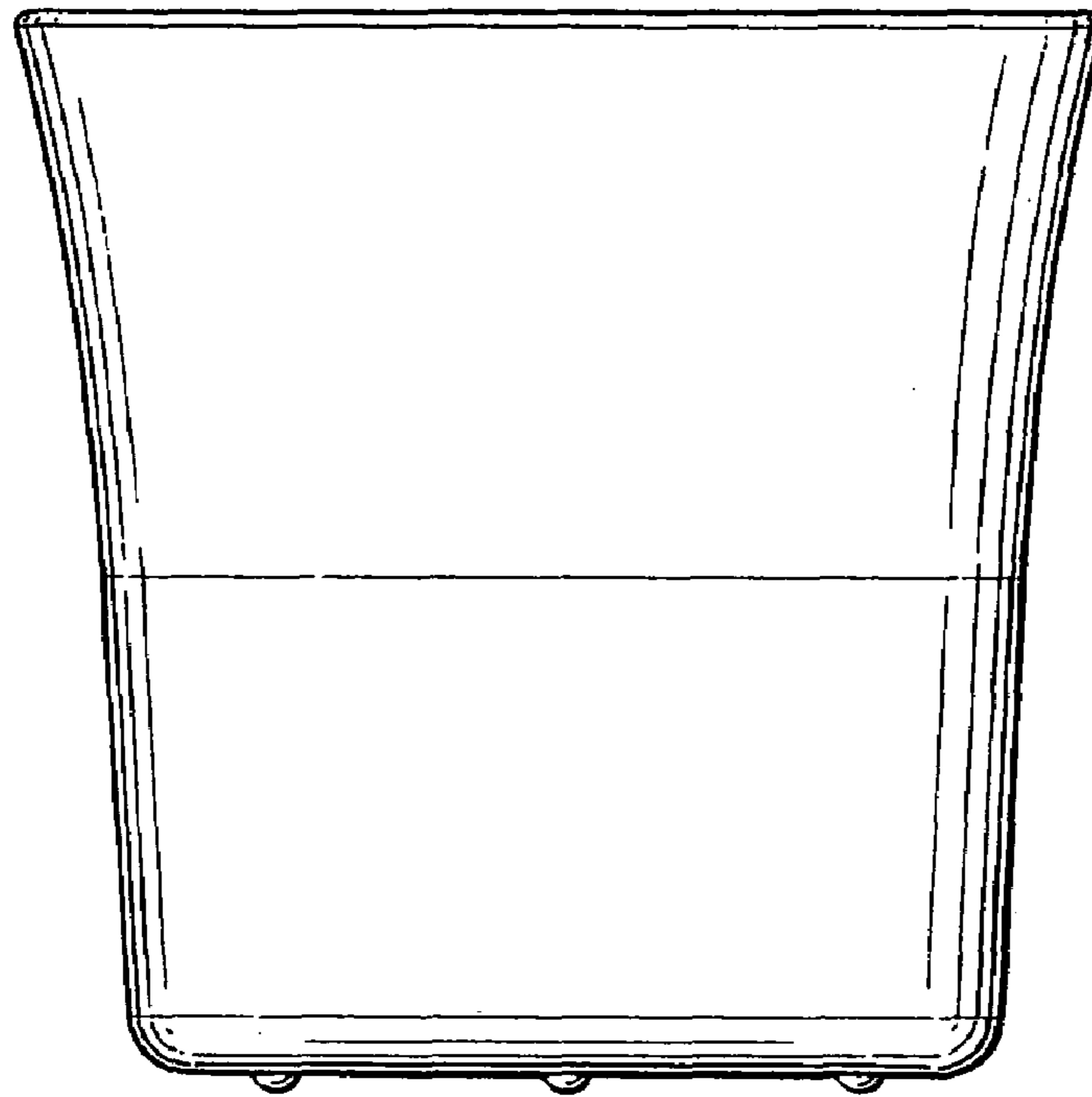


Fig. 3

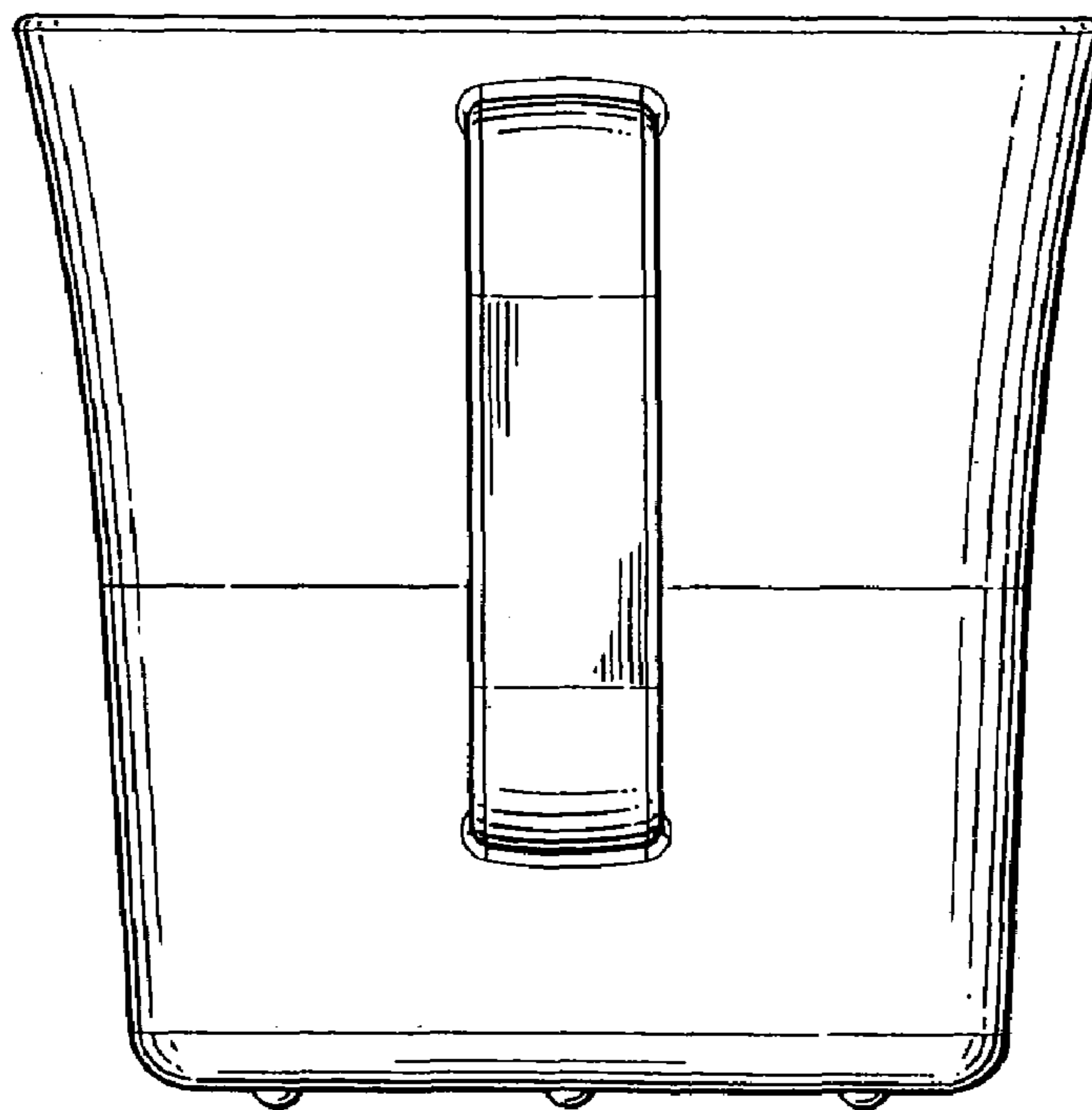


Fig. 4

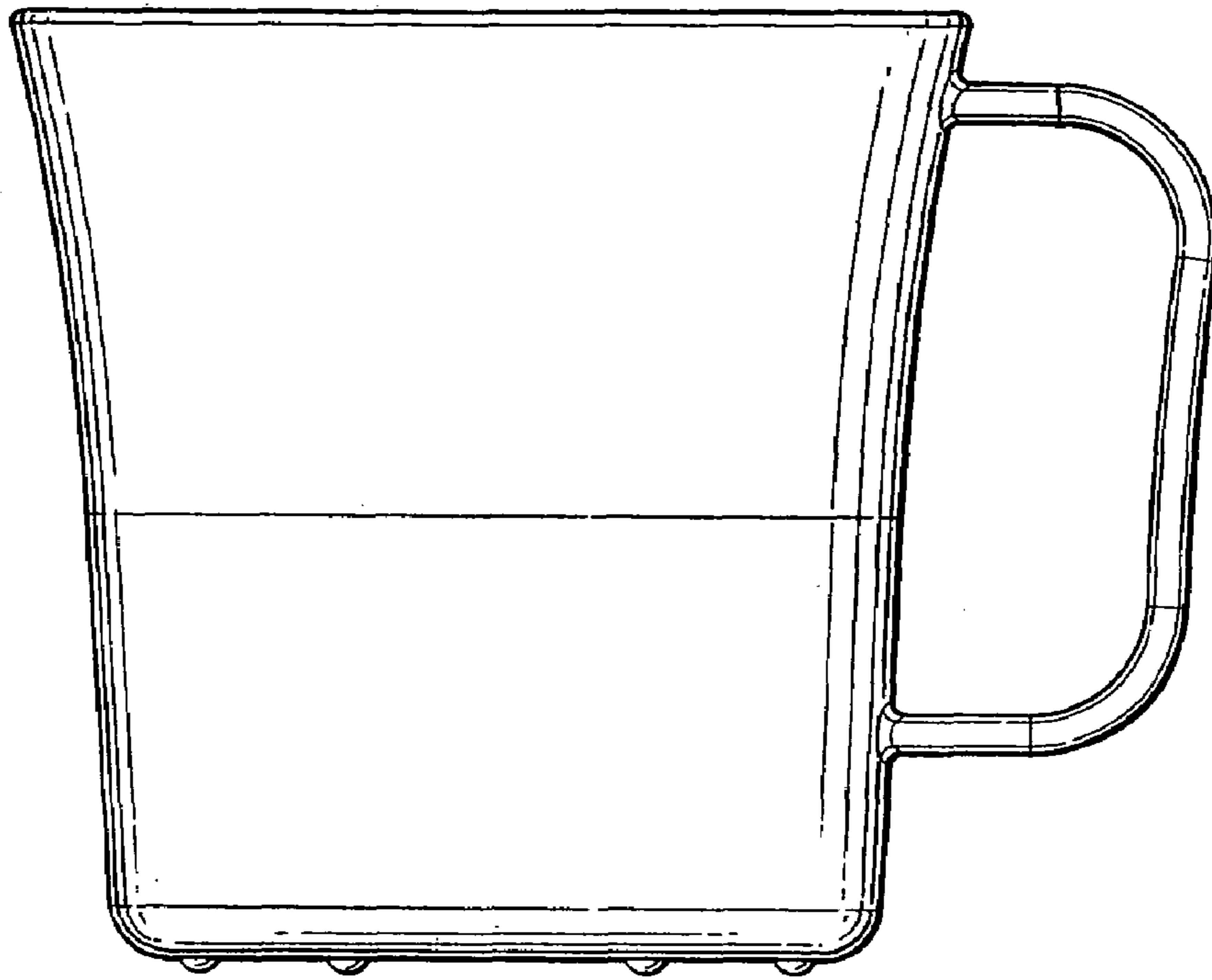


Fig. 5

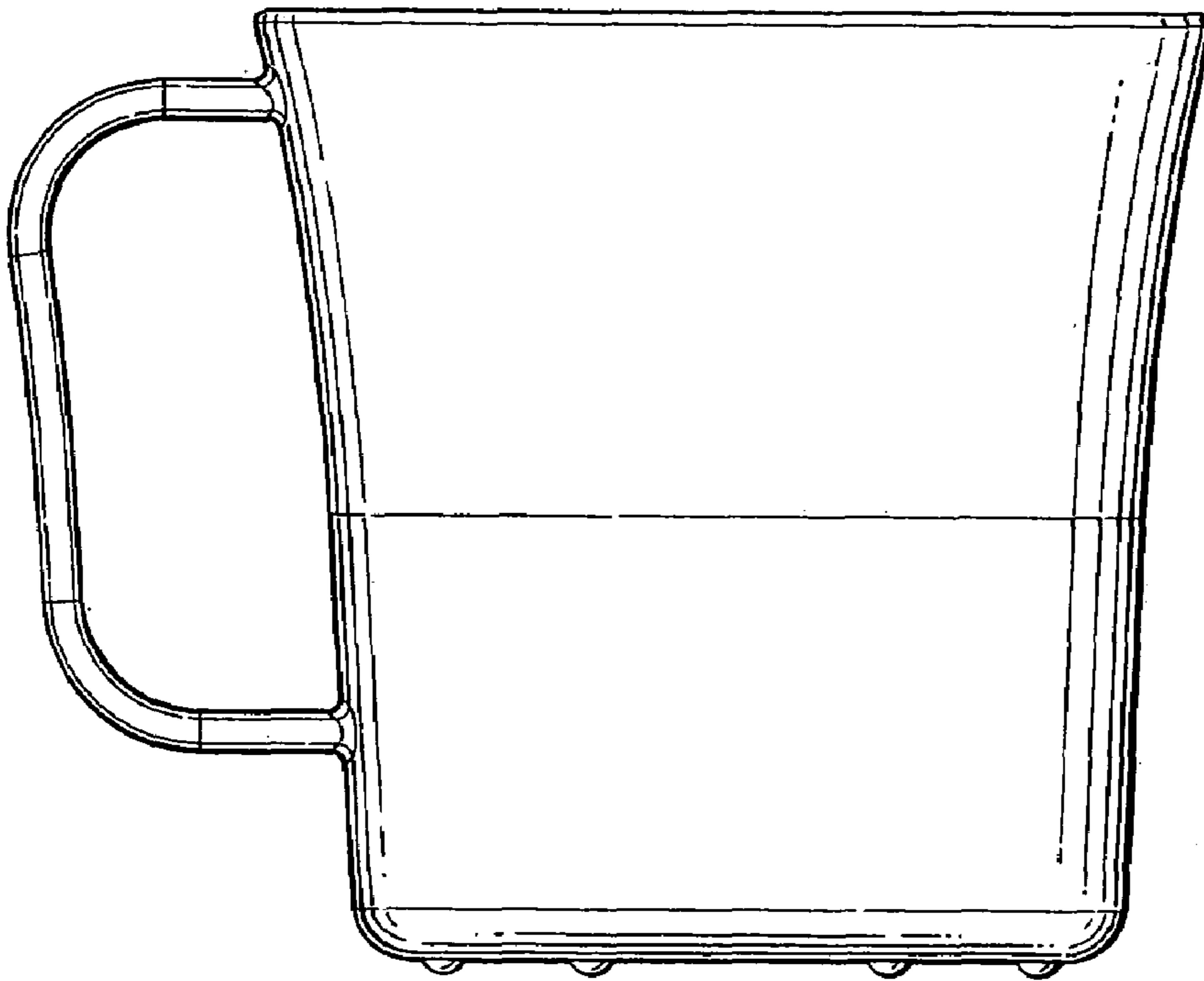


Fig. 6

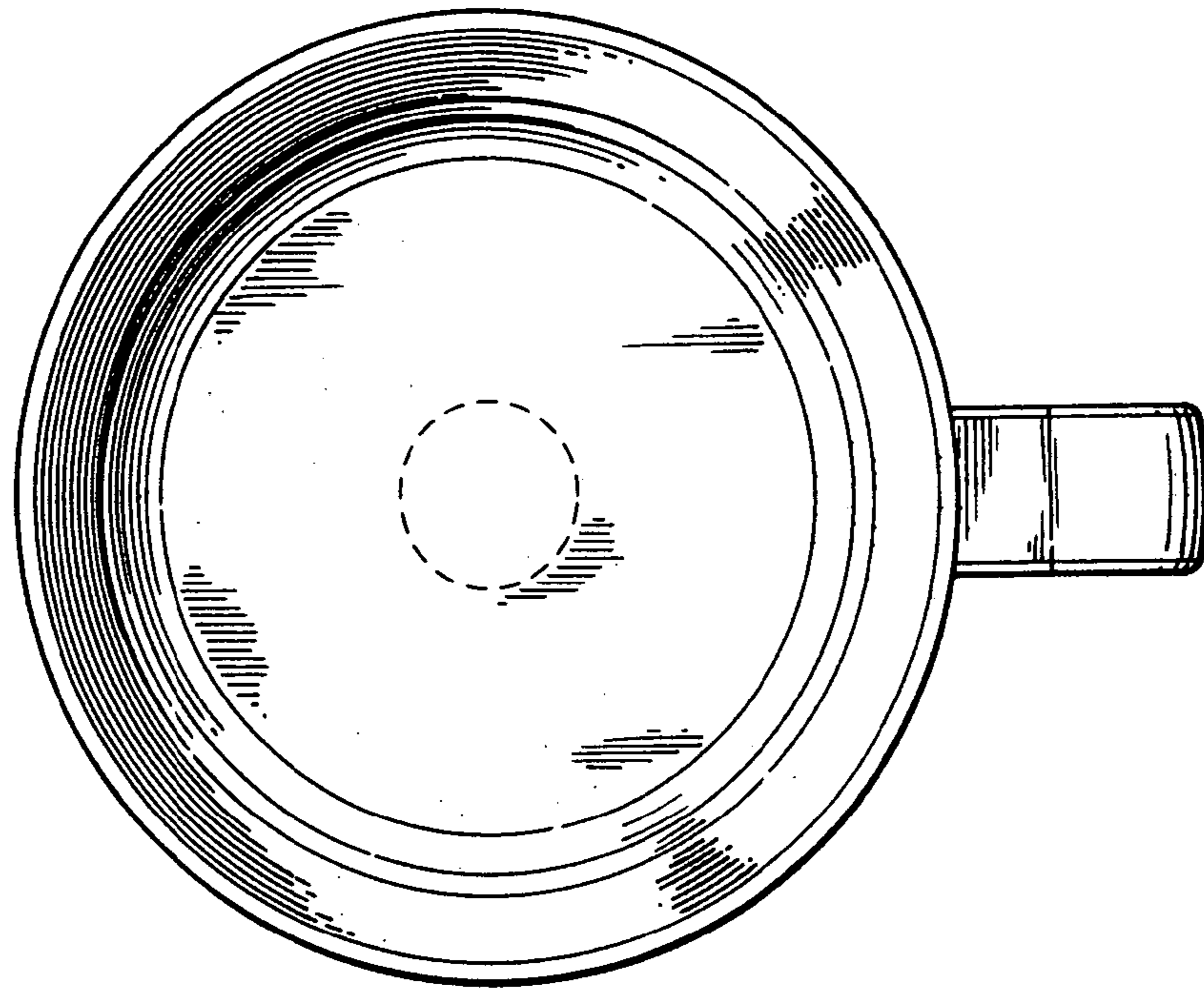


Fig. 7

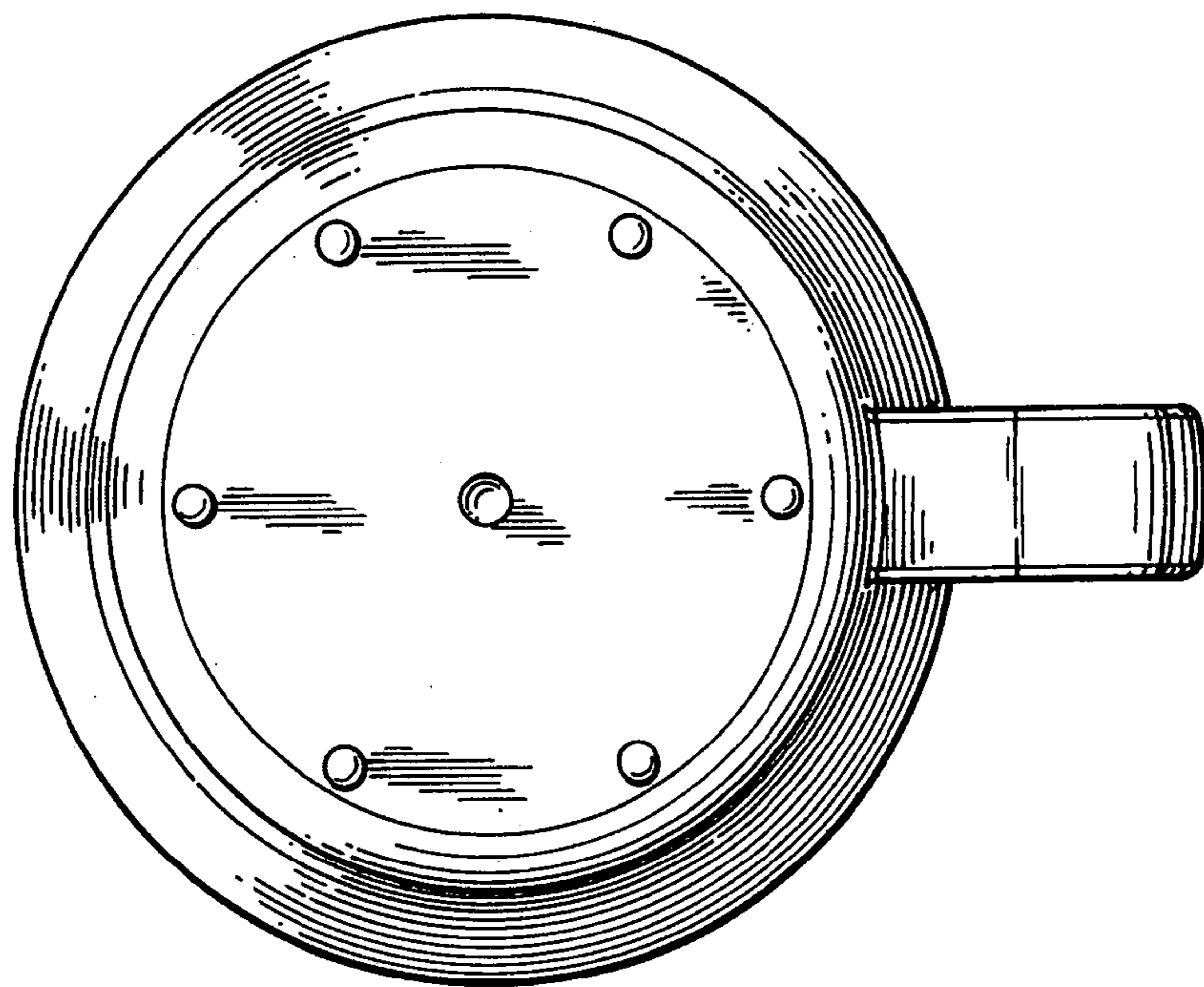


Fig. 8