



US00D552927S

(12) **United States Design Patent**
O’Leary et al.

(10) **Patent No.:** **US D552,927 S**

(45) **Date of Patent:** **** Oct. 16, 2007**

(54) **BAND FOR A STEM OF A STEMMED GLASS**

(75) Inventors: **James O’Leary**, Waterford (IE); **Janet Jessen**, Brick, NJ (US); **Laurance Patrick Mackey**, Waterford (IE); **Sean Sweeney**, Waterford (IE); **Thomas Coppinger**, Waterford (IE); **Martin Croke**, Waterford (IE)

(73) Assignee: **Waterford Wedgwood PLC**, Waterford (IE)

(**) Term: **14 Years**

(21) Appl. No.: **29/241,663**

(22) Filed: **Oct. 28, 2005**

(51) **LOC (8) Cl.** **07-01**

(52) **U.S. Cl.** **D7/396.2; D7/387**

(58) **Field of Classification Search** D7/300,
D7/387, 396.1, 396.2, 396.6, 509, 523, 537,
D7/610, 619.1, 677; D9/434, 500, 542, 716;
D26/9, 23; D11/152; 215/377; 206/217;
220/62.18, 212, 592.16, 592.17, 630, 703;
426/112

See application file for complete search history.

(56) **References Cited**

U.S. PATENT DOCUMENTS

3,089,605 A * 5/1963 Buonauro 215/377
D222,375 S * 10/1971 Bencik D7/523
D283,775 S * 5/1986 Campbell D7/396.2

D285,159 S * 8/1986 Wexler D7/610
D311,477 S * 10/1990 Fallgatter et al. D7/619.1
5,143,247 A * 9/1992 Gavle 220/630
D387,447 S * 12/1997 Hollington D26/23
D400,398 S * 11/1998 McNaughton D7/513
6,454,123 B1 * 9/2002 Ritson 220/630
D481,473 S * 10/2003 Walsh D26/9
6,880,715 B2 * 4/2005 Tanabe et al. 220/23.86
D531,930 S * 11/2006 Cabre Roige D11/152
D532,257 S * 11/2006 Mansfield D7/513

* cited by examiner

Primary Examiner—Philip S. Hyder

Assistant Examiner—Cynthia Underwood

(74) *Attorney, Agent, or Firm*—Buchanan Ingersoll & Rooney PC

(57) **CLAIM**

The ornamental design for a band for a stem of a stemmed glass, as shown and described.

DESCRIPTION

FIG. 1 is a perspective view of the band for a stem of a stemmed glass showing our new design.

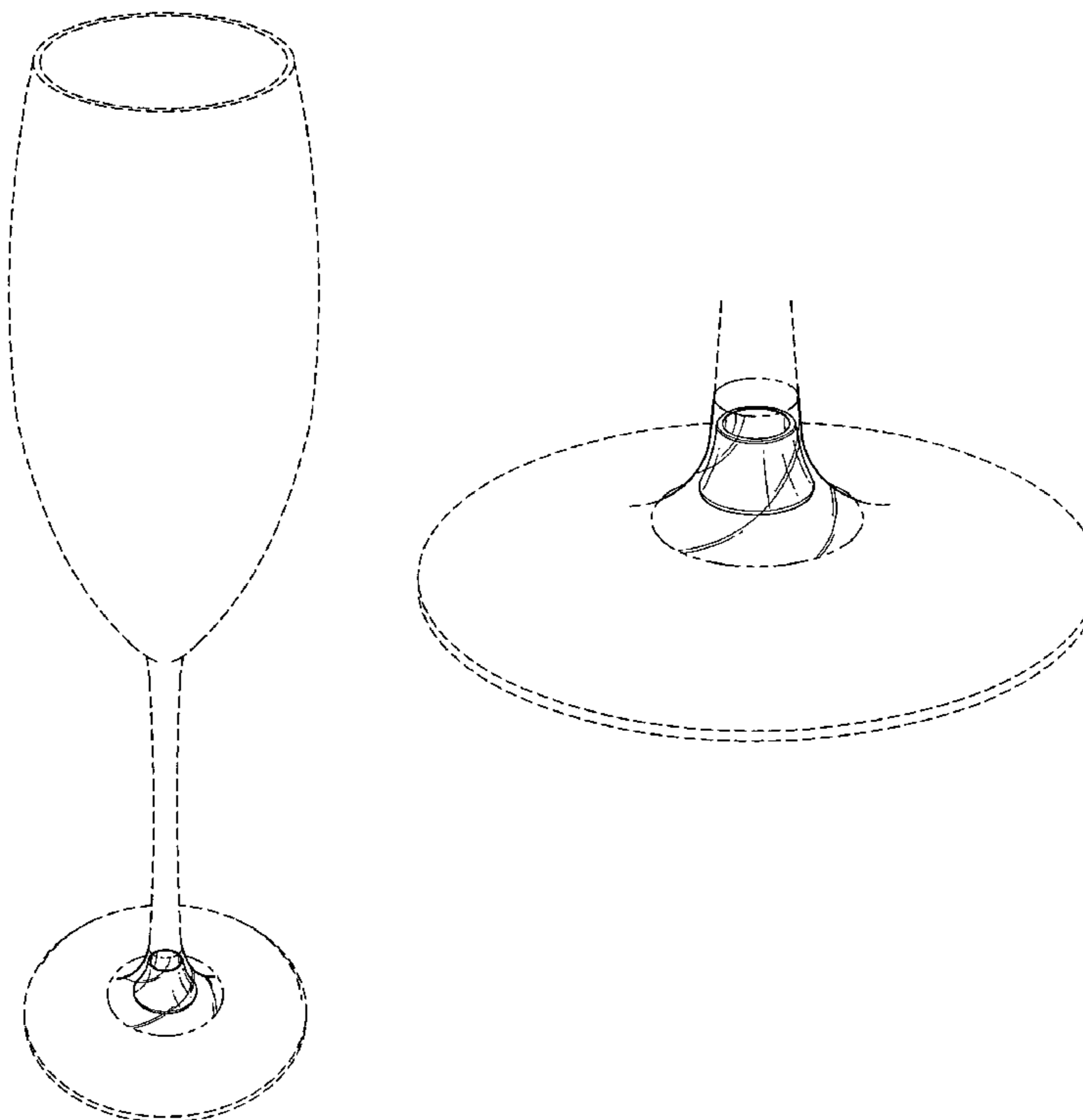
FIG. 2 is a side elevation view thereof, the opposite side elevation view being a mirror image.

FIG. 3 is an expanded perspective view thereof.

FIG. 4 is a top view of the band for a stem of a stemmed glass of FIG. 1; and,

FIG. 5 is a bottom view thereof.

1 Claim, 2 Drawing Sheets



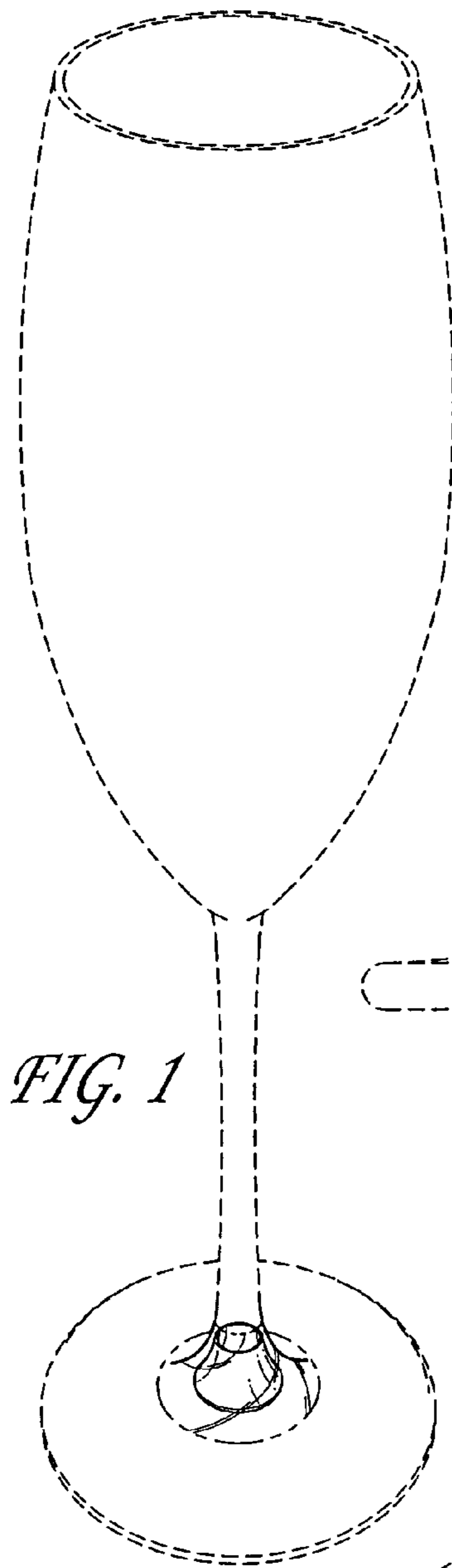


FIG. 1

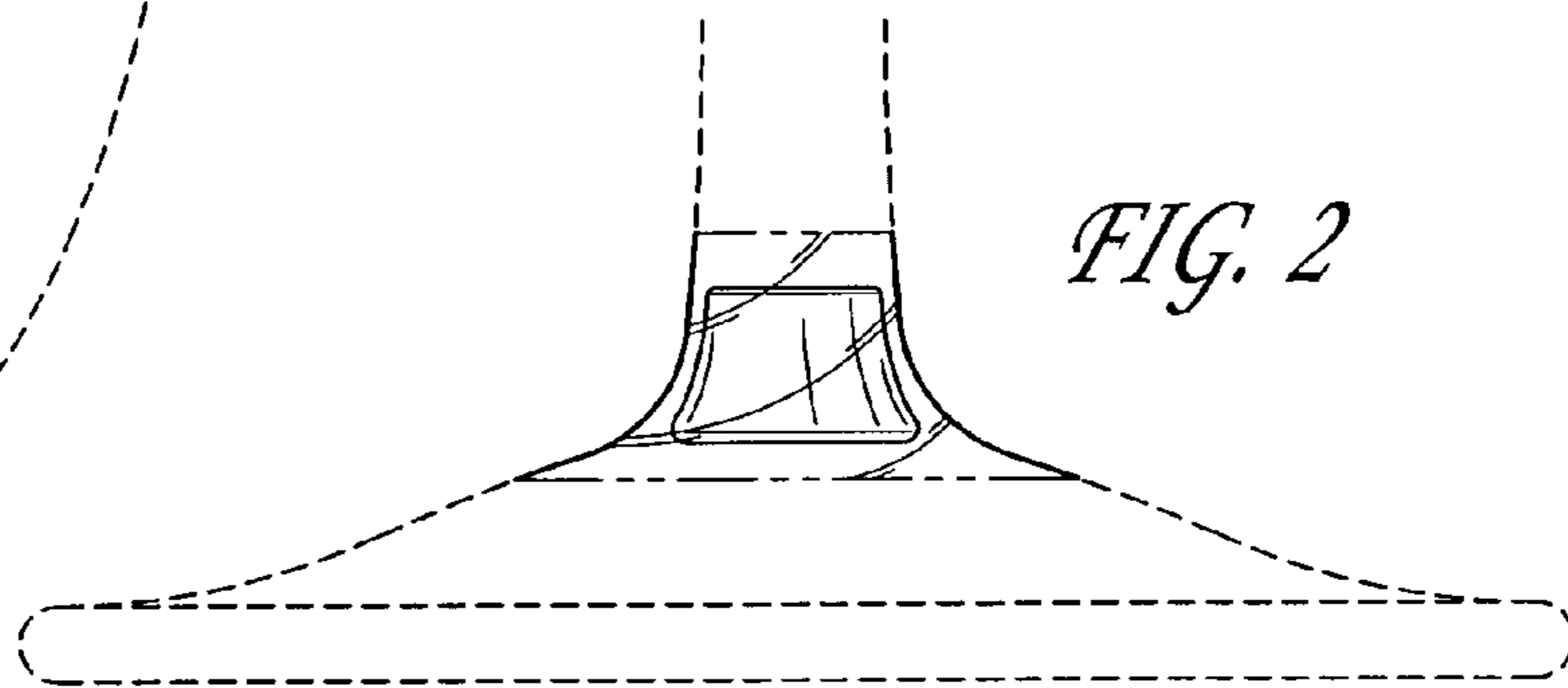


FIG. 2

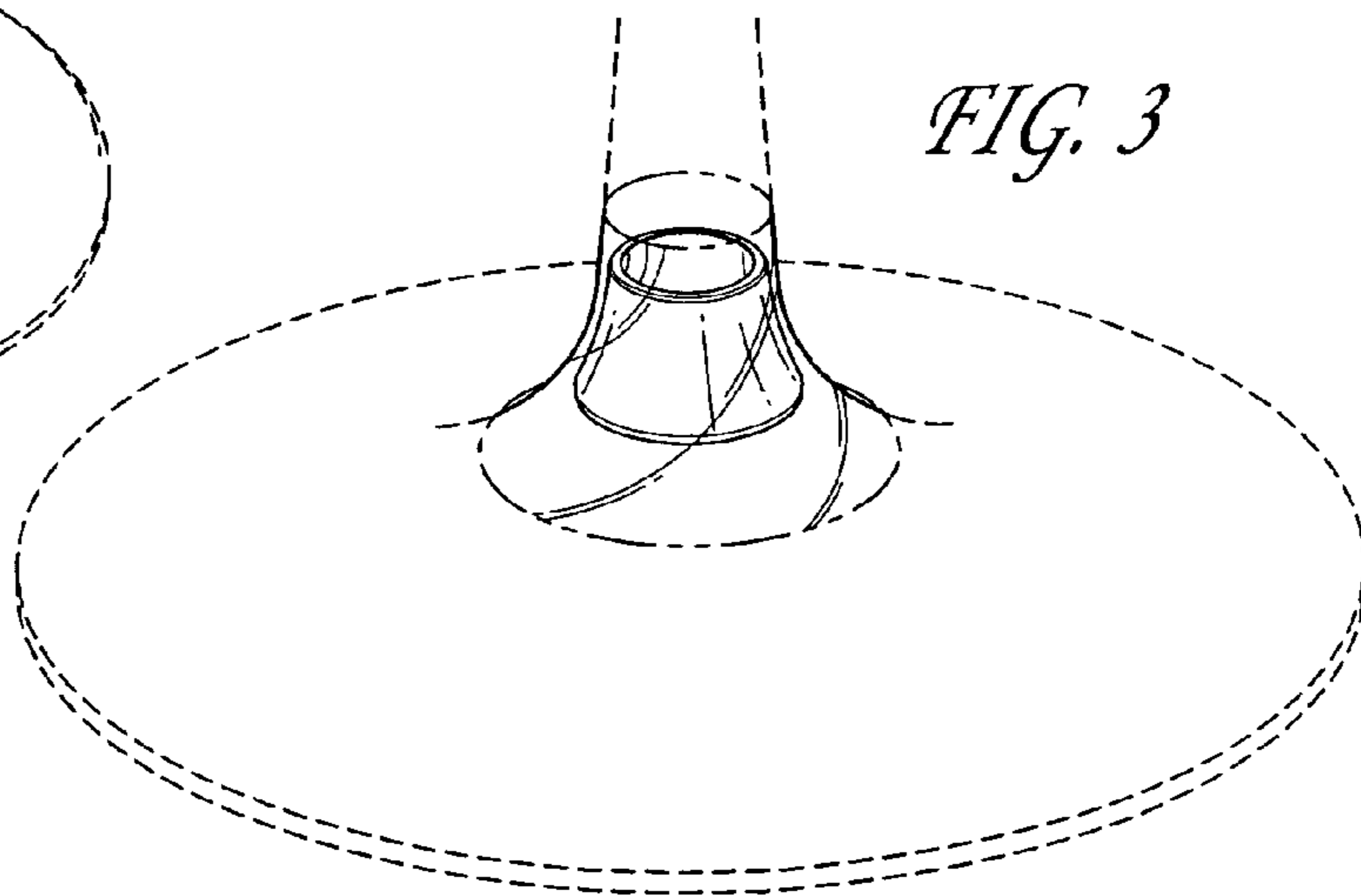


FIG. 3

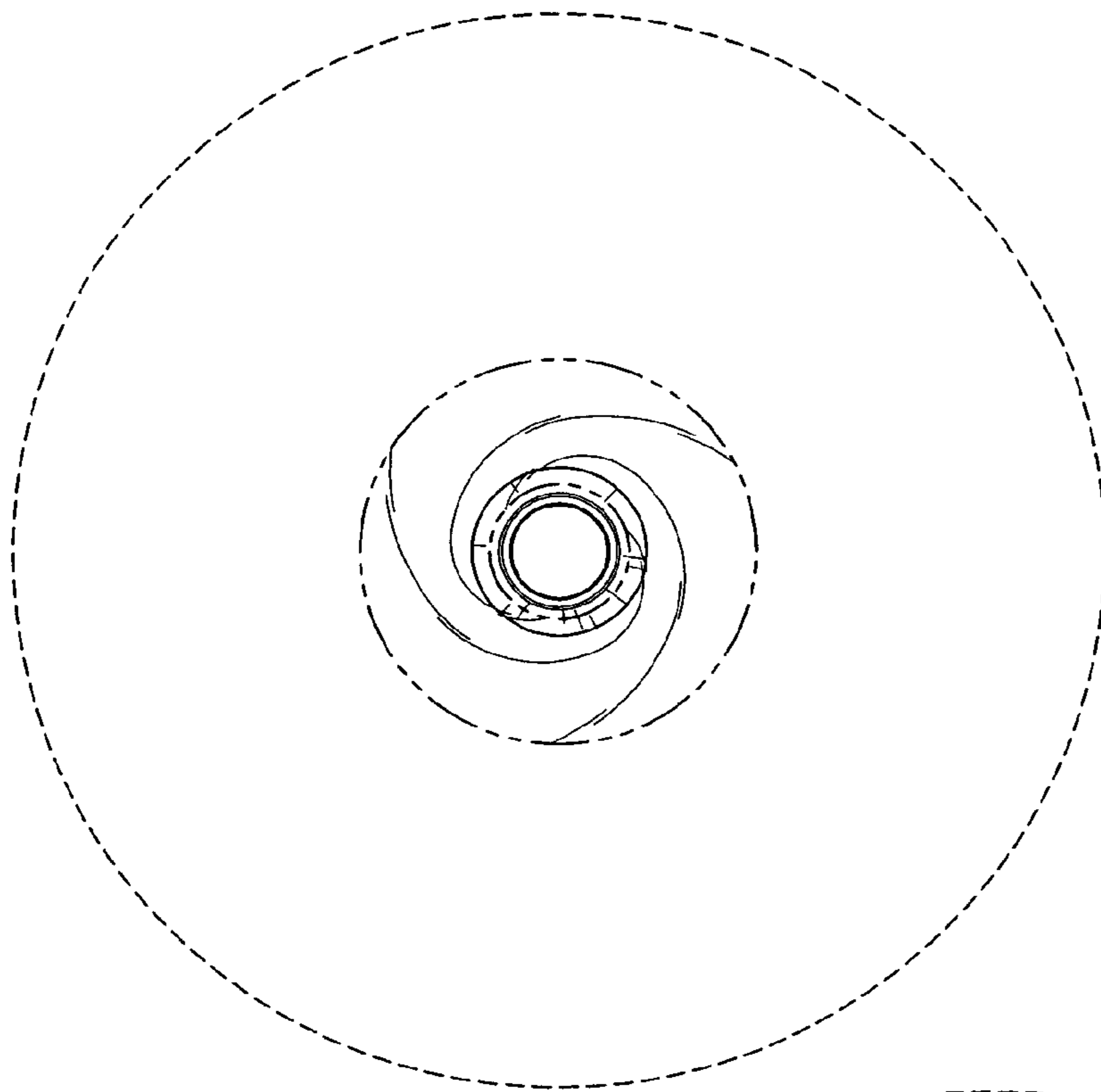


FIG. 4

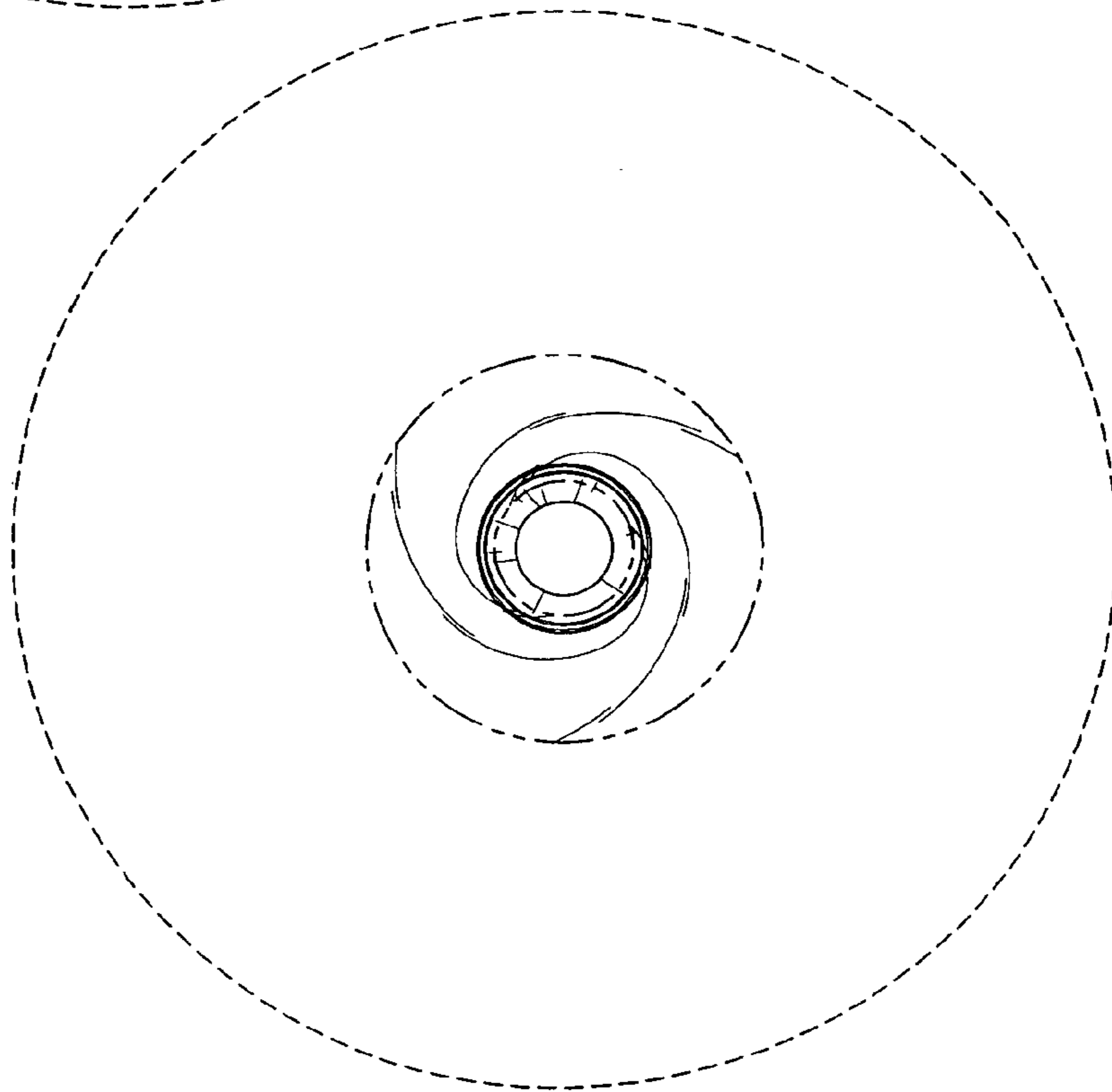


FIG. 5