



US00D552926S

(12) **United States Design Patent**
Yelland

(10) **Patent No.:** **US D552,926 S**
(45) **Date of Patent:** **** Oct. 16, 2007**

(54) **BOTTLE CAP WITH OVERSIZED LIP**

D529,380 S 10/2006 Yelland

(75) Inventor: **William Yelland**, Brampton (CA)

(73) Assignee: **Sun Coast Merchandise Corporation**,
Commerce, CA (US)

(**) Term: **14 Years**

(21) Appl. No.: **29/248,056**

(22) Filed: **Jul. 27, 2006**

(51) **LOC (8) Cl.** **07-02**

(52) **U.S. Cl.** **D7/392.1**

(58) **Field of Classification Search** D7/316-319,
D7/391-392.1, 396.2, 510-511, 629; D9/435,
D9/440, 444, 447, 449-450, 454, 503-504;
215/211, 200, 224, 243; 220/700, 701, 703,
220/711, 713-715, 719

See application file for complete search history.

(56) **References Cited**

U.S. PATENT DOCUMENTS

- D416,755 S * 11/1999 Trombly D7/392.1
- D417,583 S * 12/1999 Demore D7/392.1
- D418,364 S * 1/2000 Demore D7/392.1
- D485,759 S * 1/2004 Janky et al. D9/449
- D490,272 S * 5/2004 Rohe D7/510
- D500,428 S * 1/2005 Ward et al. D7/392.1
- D504,796 S * 5/2005 Schuler et al. D7/392.1

OTHER PUBLICATIONS

U.S. Appl. No. 29/246,711, filed May 4, 2006, Dilip Bhavnani.

* cited by examiner

Primary Examiner—Holly H. Baynham

Assistant Examiner—Cynthia M. Chin

(74) *Attorney, Agent, or Firm*—The Soni Law Firm

(57) **CLAIM**

The ornamental design for a bottle cap with oversized lip, as shown and described.

DESCRIPTION

FIG. 1 is a front side bottom perspective view of the bottle cap with oversized lip showing my new design;

FIG. 2 is a front elevation view thereof;

FIG. 3 is a top plan view thereof;

FIG. 4 is a right side elevation view thereof which is a mirror image of the left side thereof;

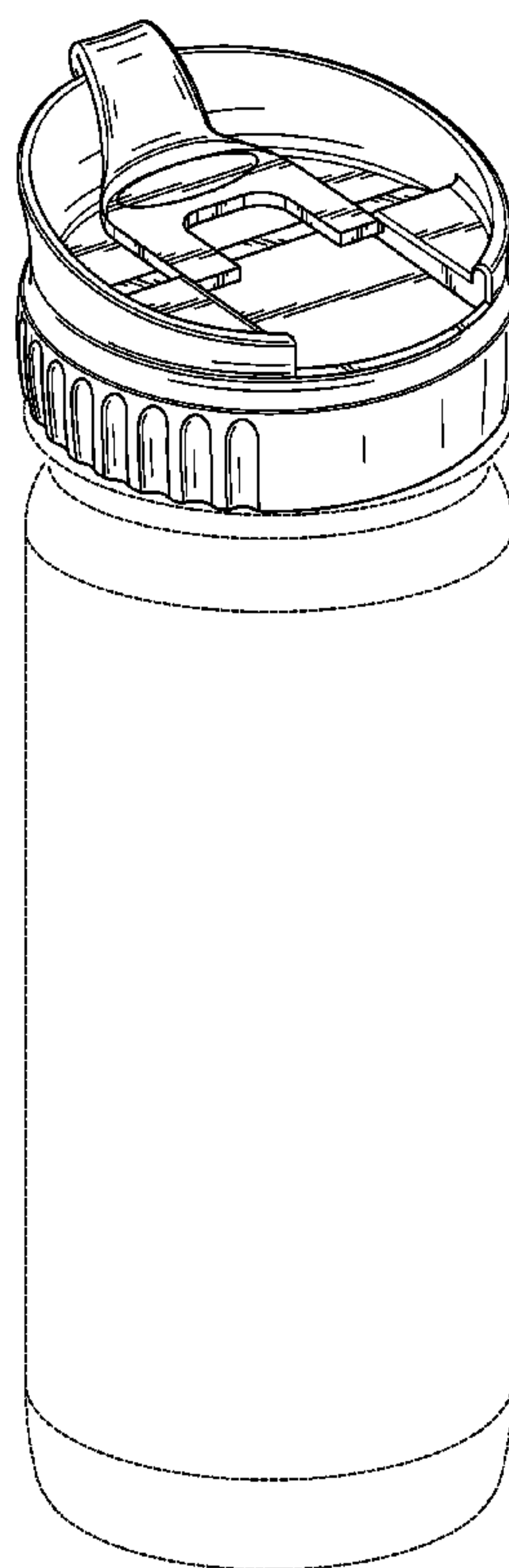
FIG. 5 is a bottom plan view thereof;

FIG. 6 is a back elevation view thereof; and,

FIG. 7 is a front side bottom perspective view thereof showing the plug in an open position.

The broken lines are for illustrative purposes only and form no part of the claimed design.

1 Claim, 4 Drawing Sheets



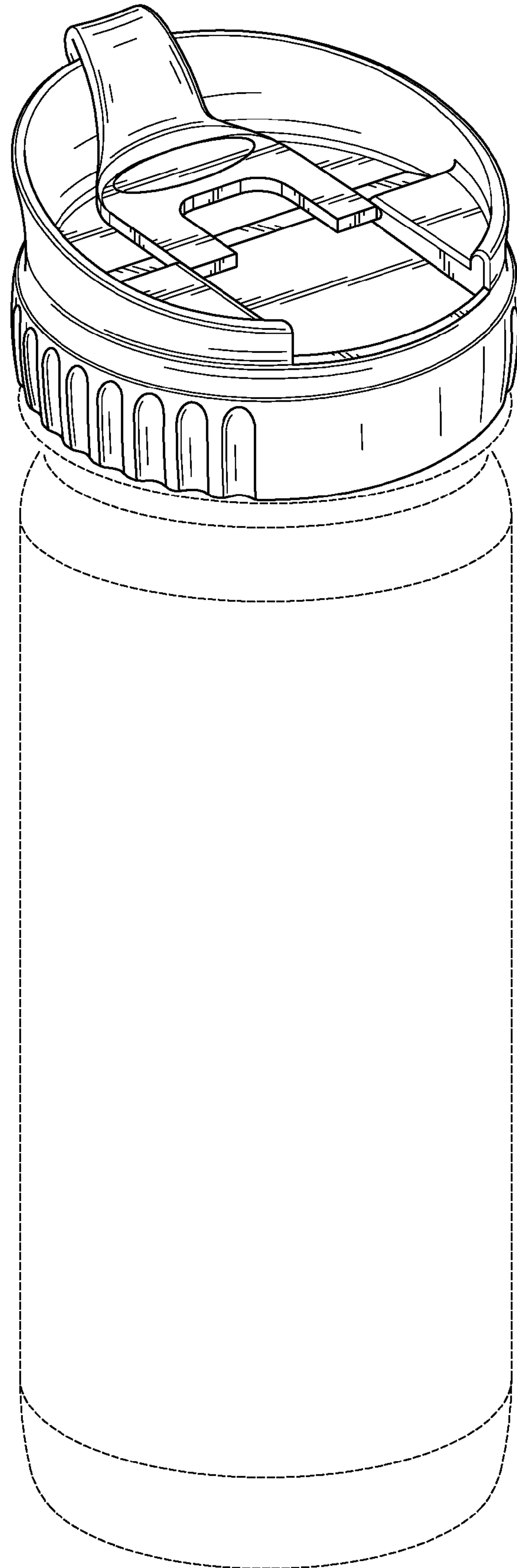


FIG. 1

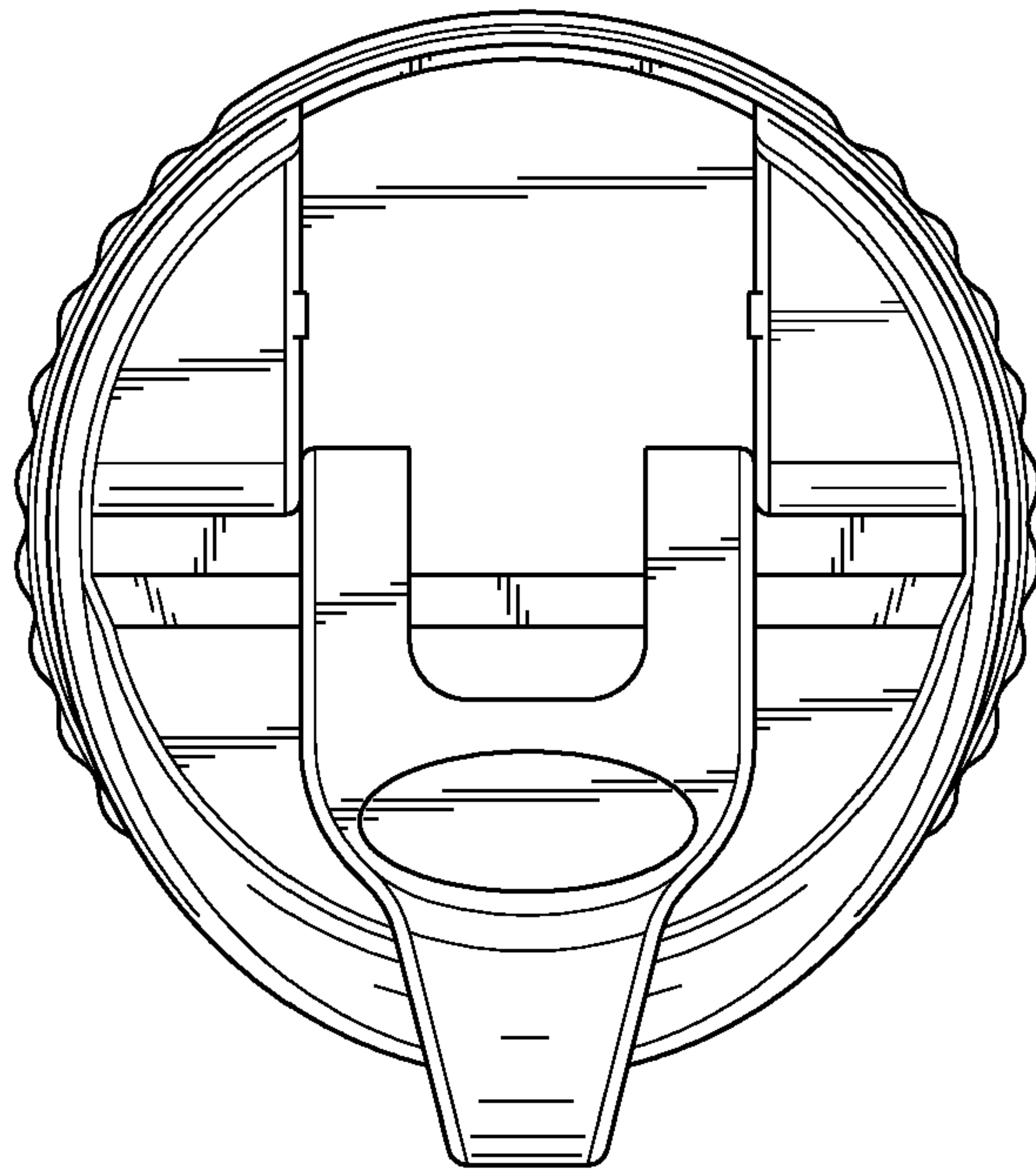


FIG. 2

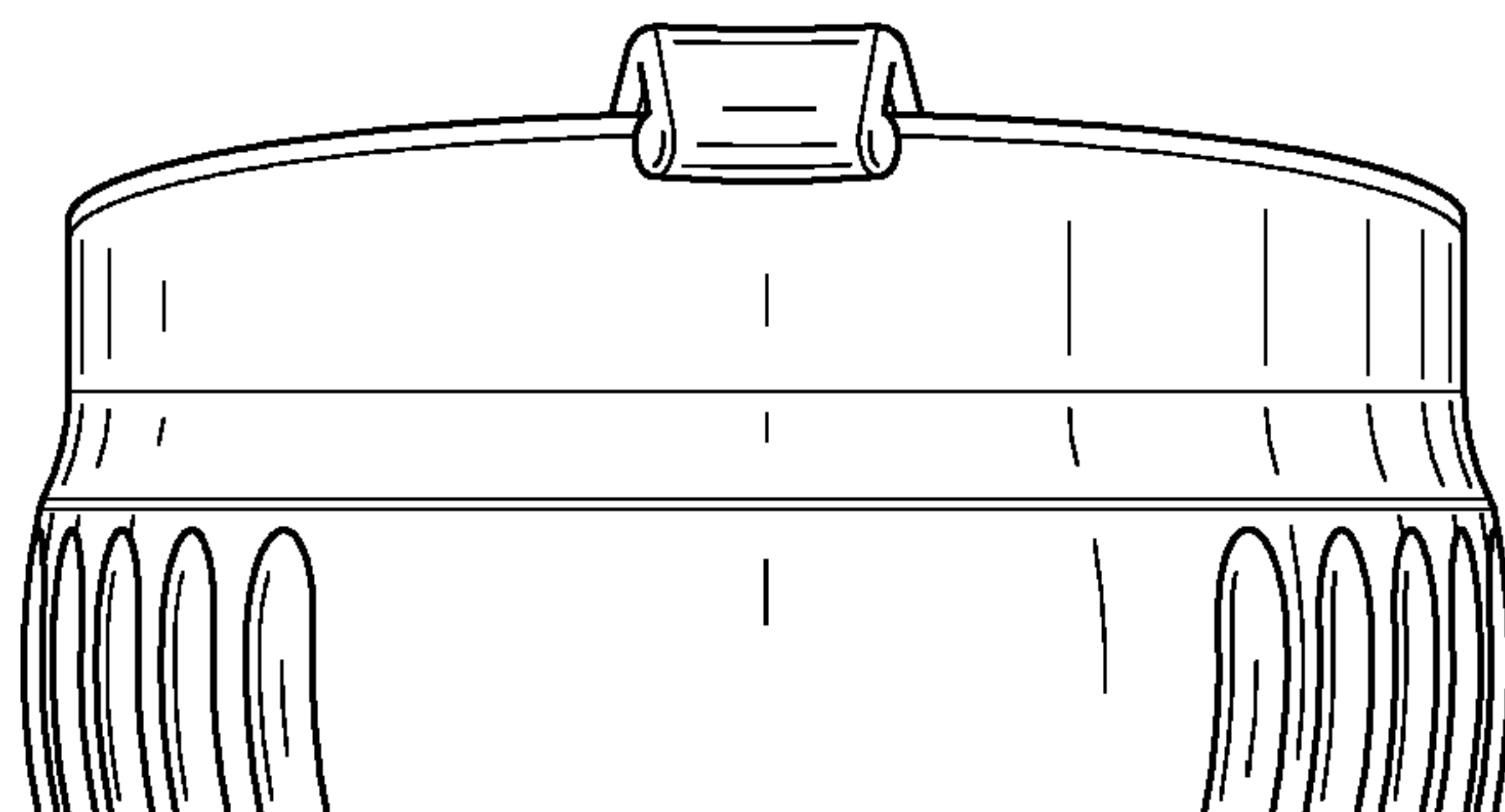


FIG. 3

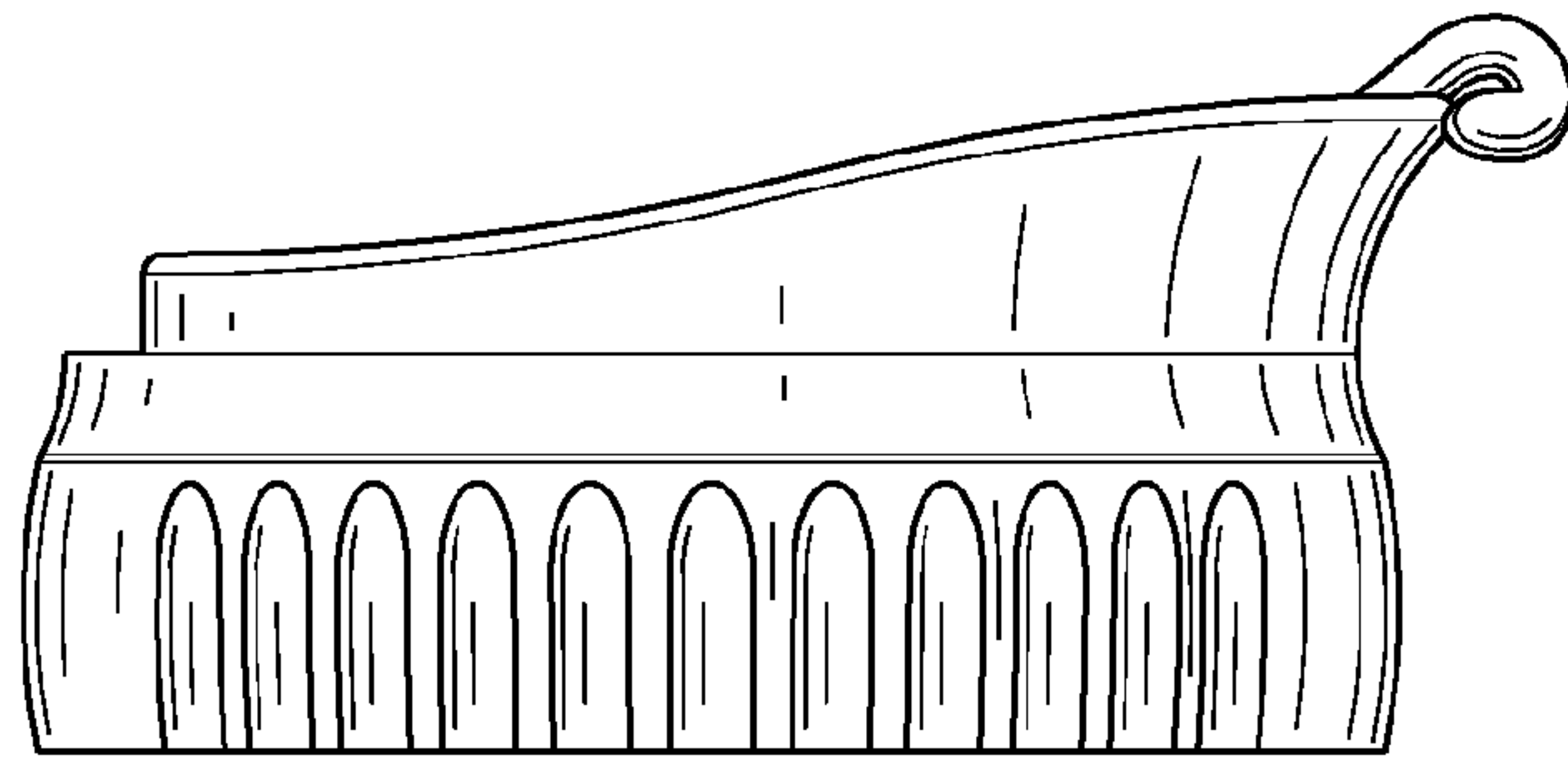


FIG. 4

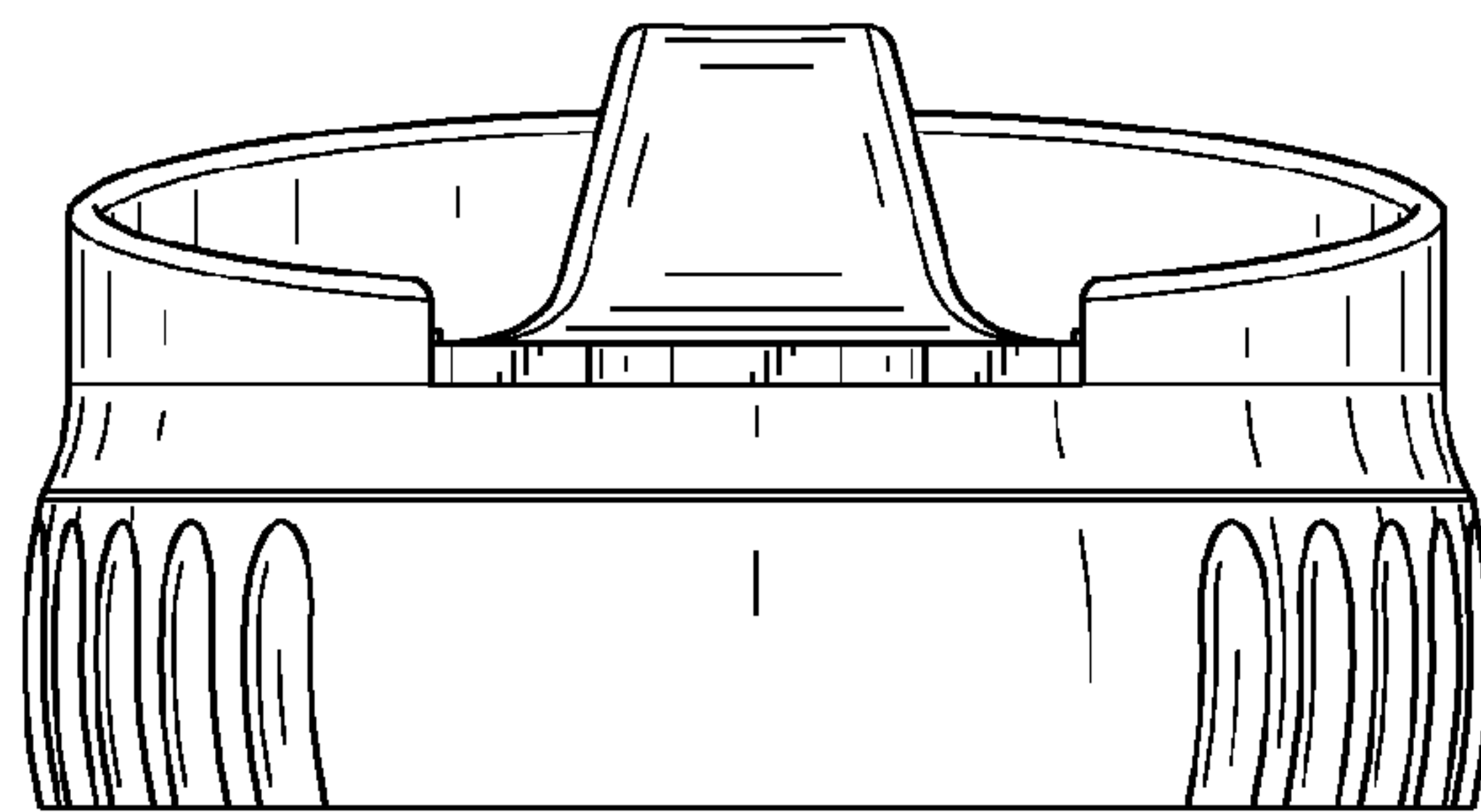


FIG. 5

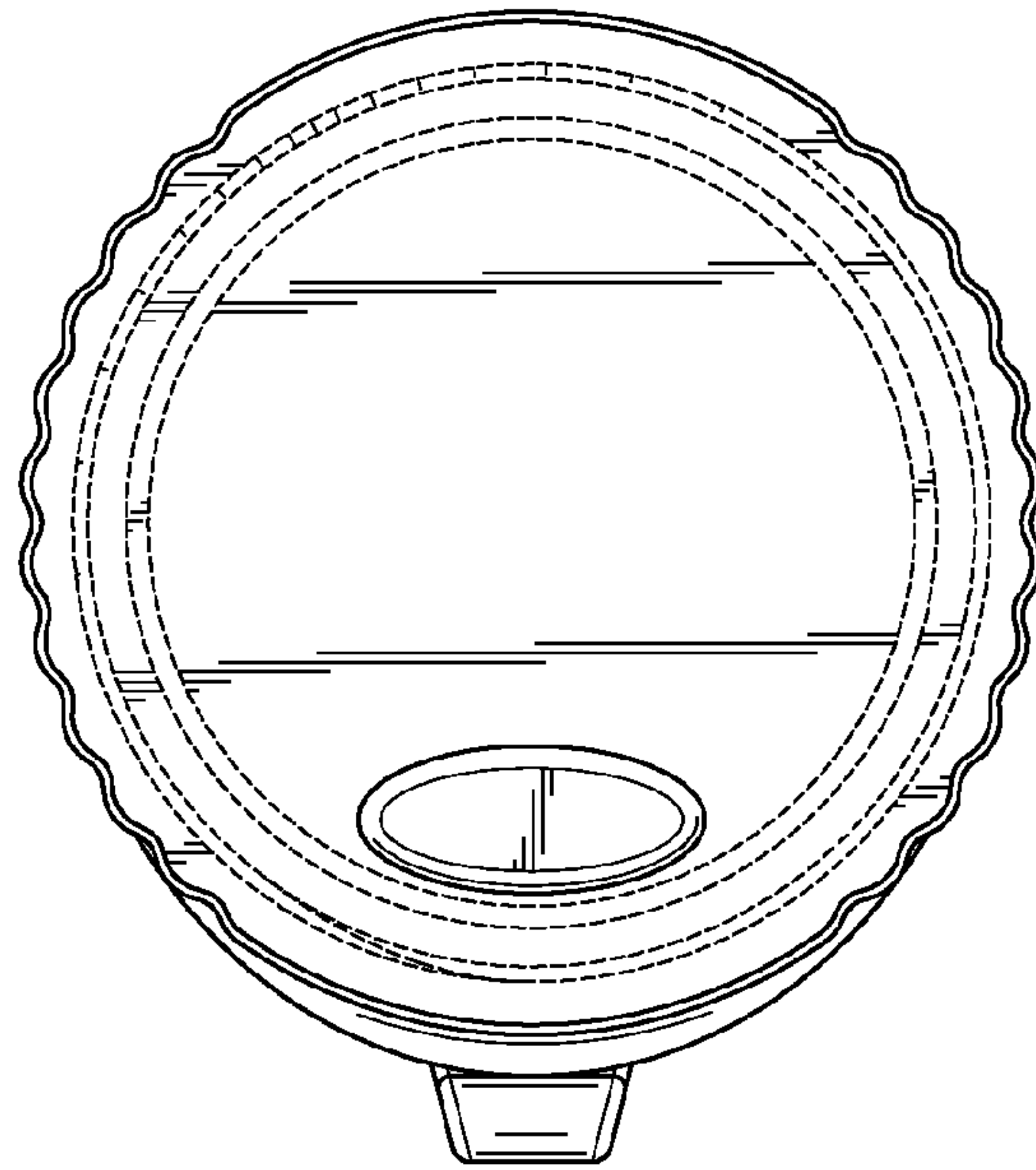


FIG. 6

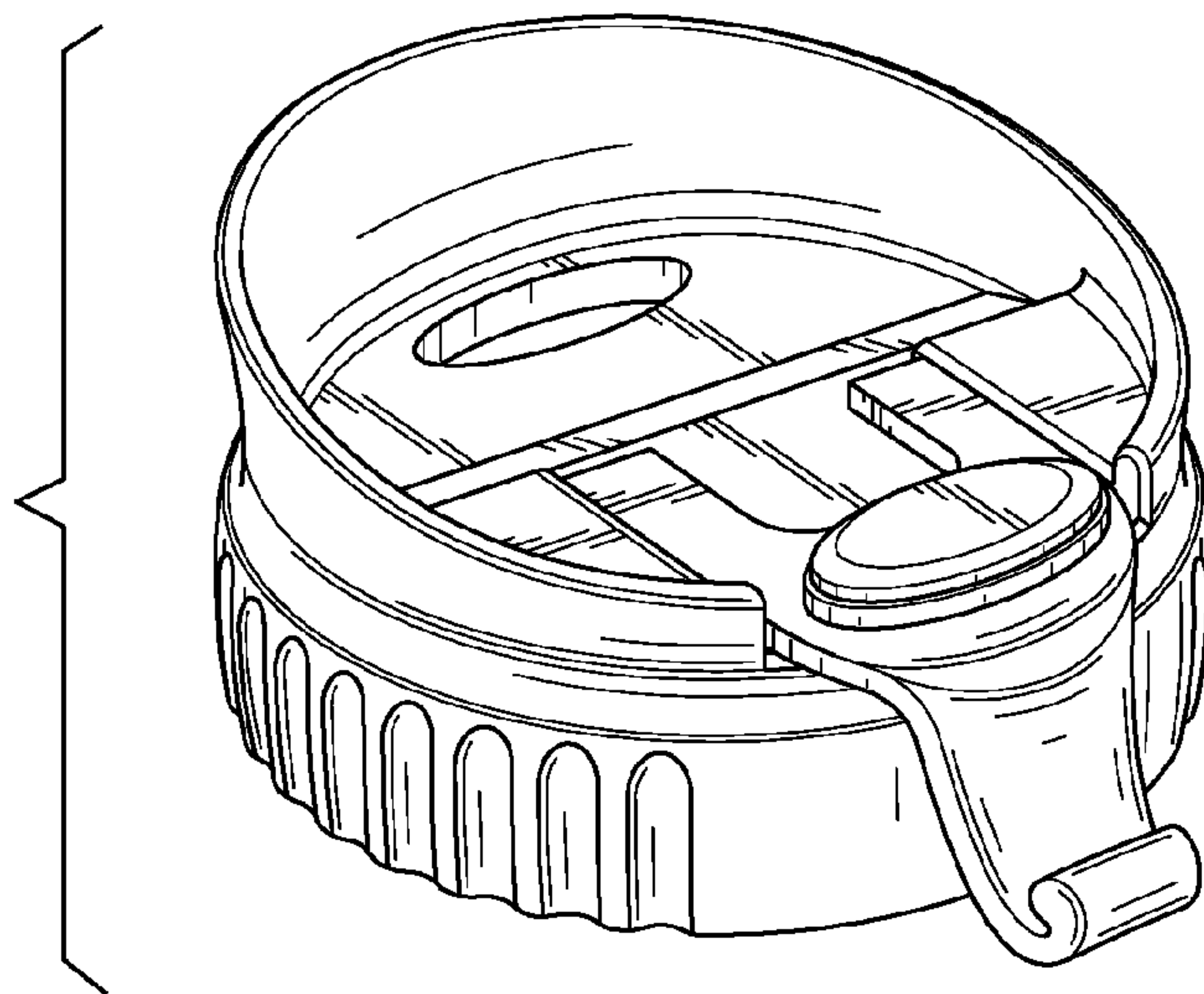


FIG. 7