

US00D552925S

(12) **United States Design Patent**
Kloppsteck

(10) **Patent No.:** **US D552,925 S**

(45) **Date of Patent:** **** Oct. 16, 2007**

(54) **PAN**

D499,929 S * 12/2004 Cuillery D7/361

(75) **Inventor:** **Gerd Kloppsteck**, Arnsberg (DE)

OTHER PUBLICATIONS

(73) **Assignee:** **Heinrich Berndes GmbH & Co. KG**,
Arnsberg (DE)

Exporter India <http://www.exportindia.org/copper-cooking-pots-pans.html> Nov. 9, 2006.*

(**) **Term:** **14 Years**

Nonstick Chef's Pan <http://www.cooking.com/products/shprodde.asp?SKU=215480> Nov. 9, 2006.*

(21) **Appl. No.:** **29/219,647**

http://www3.jcpenney.com/jcp/WindowSolutionHOM.aspx?DeptID=25439&PCatID=25439&CatID=26298&CatTyp=FEA&Dep=Housewares&Pcat=Housewares&Cat=Cookware+Ostock&RefPageName=WindowSolutionHOM.aspx&RefDeptID=25439&RefCatID=25864&cmAMS_T=H9&cmAMS_C=C7&mscssid=60400a2297f8c4e3980ac109acf345181xMnVNoV5a1WxMnVNoV5a1o200BF748F12AA4D8781550596B6D1C2B370B0631313&CmC, Open stock pan, Nov. 9, 2006.*

(22) **Filed:** **Dec. 21, 2004**

(30) **Foreign Application Priority Data**

Jun. 23, 2004 (EM) 194 477

(51) **LOC (8) Cl.** **07-02**

(52) **U.S. Cl.** **D7/361**

(58) **Field of Classification Search** D7/361,
D7/391-393, 323, 395-396; 16/110.1, 405-407,
16/430-431, 441; 219/620-621, 725, 732;
220/573.1, 2, 3, 573.4, 5, 574; 99/324, 331
See application file for complete search history.

* cited by examiner

Primary Examiner—Cathron C. Brooks

Assistant Examiner—Kelley A. Donnelly

(74) *Attorney, Agent, or Firm*—Hoffman, Wasson & Gitler,
P.C.

(56) **References Cited**

(57) **CLAIM**

The ornamental design for a pan, as shown and described.

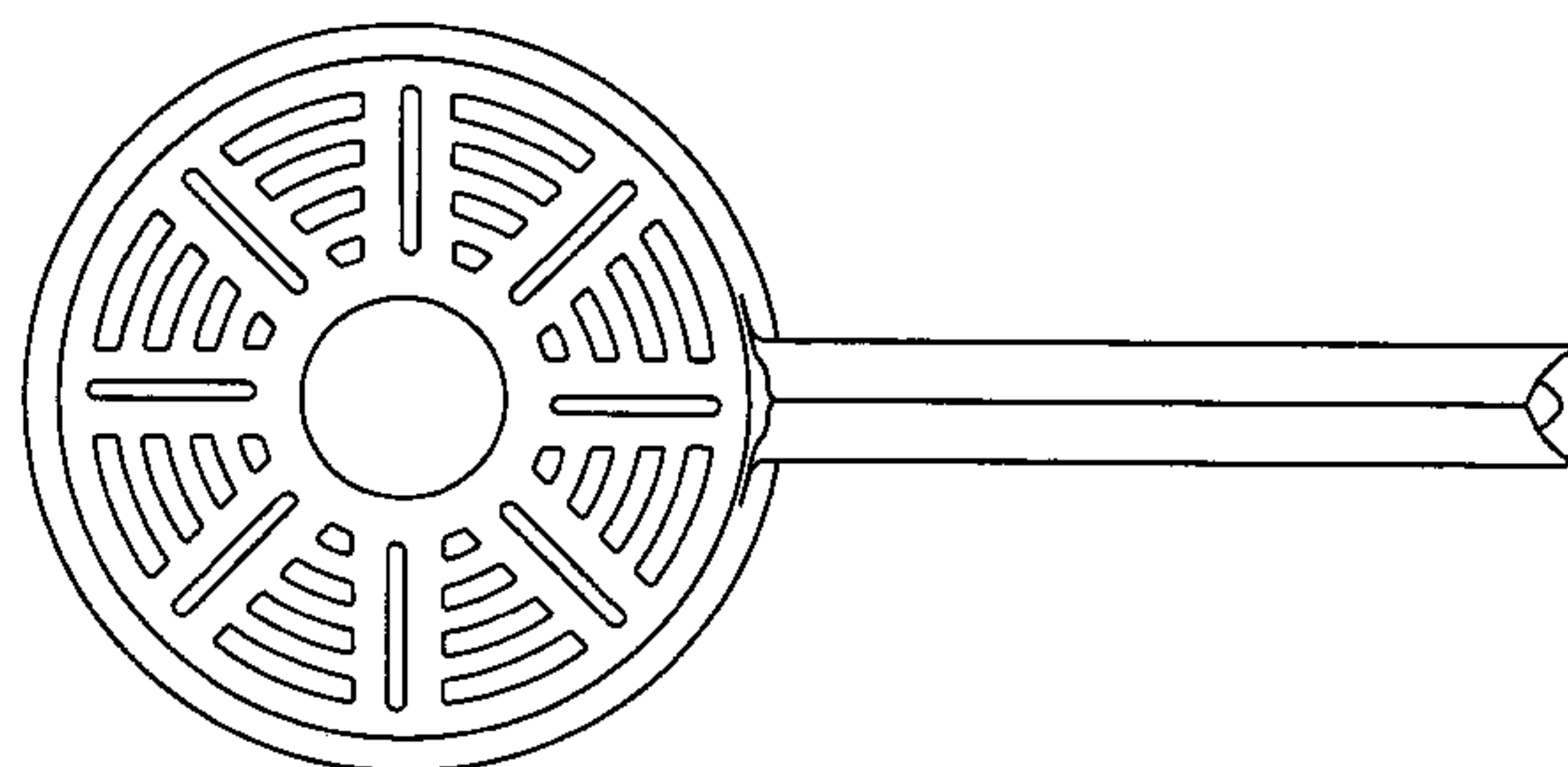
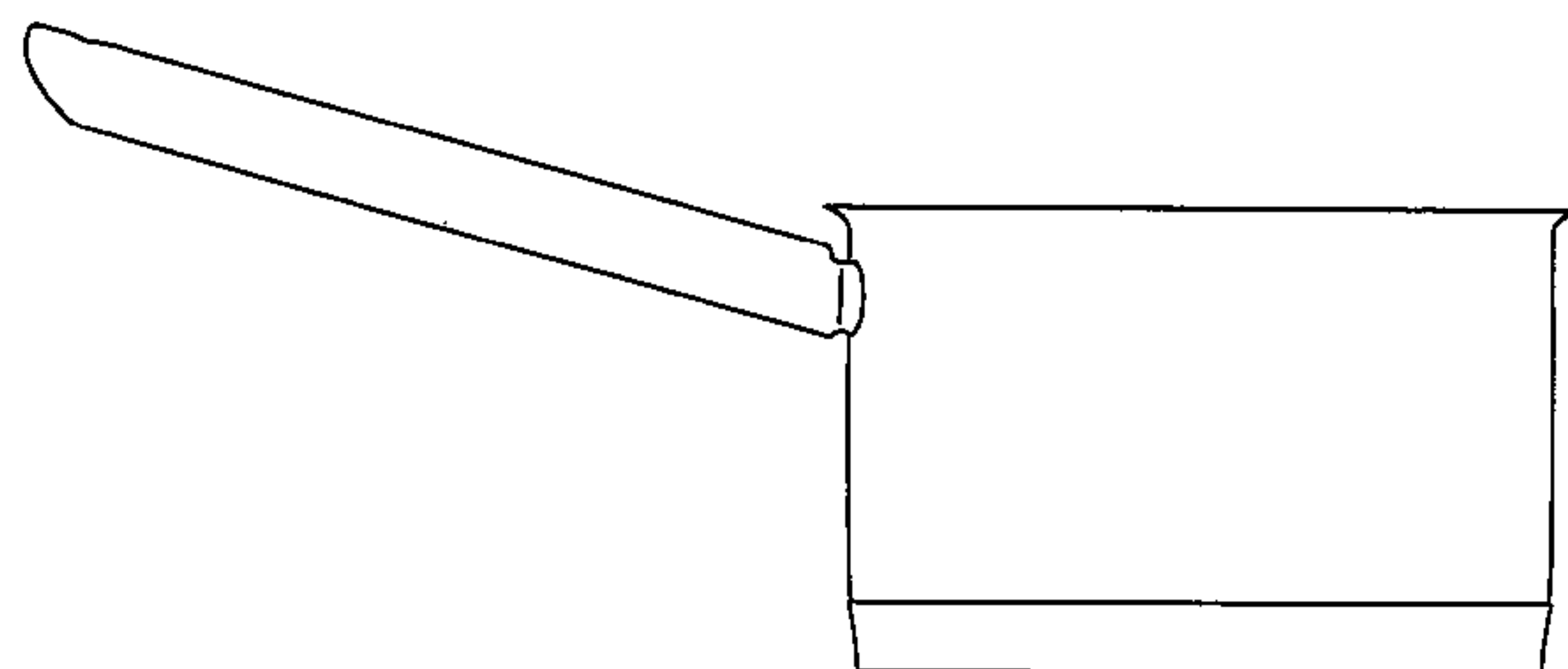
U.S. PATENT DOCUMENTS

DESCRIPTION

- 1,319,878 A * 10/1919 Lewis 99/422
- D179,087 S * 10/1956 Kelso D7/352
- D281,481 S * 11/1985 Geiser D7/361
- 4,845,893 A * 7/1989 Racine 99/422
- D306,679 S * 3/1990 Schultz D7/361
- D375,433 S * 11/1996 Jorgensen D7/354
- D392,152 S * 3/1998 Rae D7/402
- D440,463 S * 4/2001 Groll D7/395
- D479,434 S * 9/2003 Lin D7/395
- D482,562 S * 11/2003 Demers D7/354
- 6,725,505 B2 * 4/2004 Willat 16/430

FIG. 1 is a top view of the pan of the present invention;
FIG. 2 is a left side view thereof;
FIG. 3 is a bottom view thereof;
FIG. 4 is a right side view thereof;
FIG. 5 is a front view thereof; and,
FIG. 6 is a back view thereof.

1 Claim, 6 Drawing Sheets



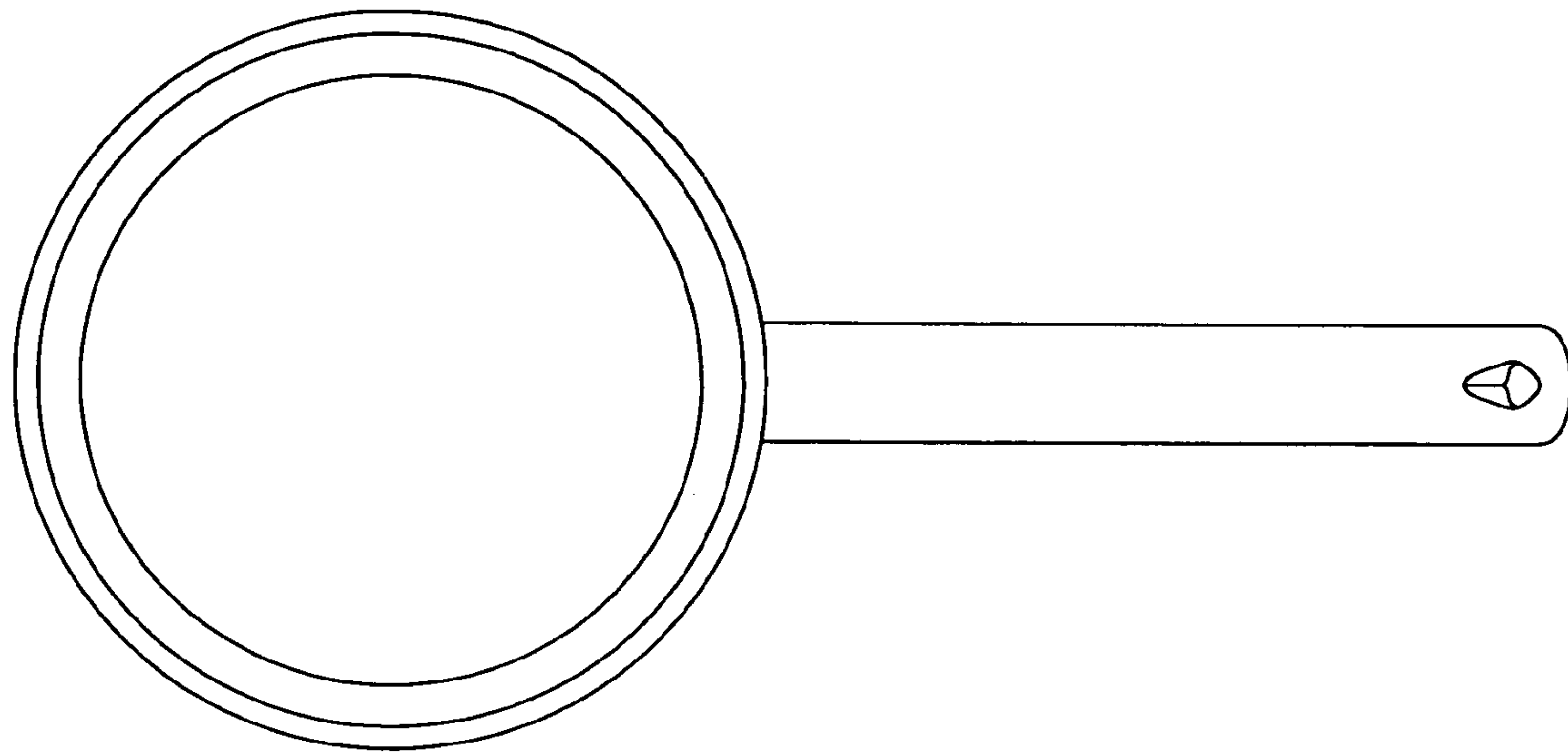


FIG. 1

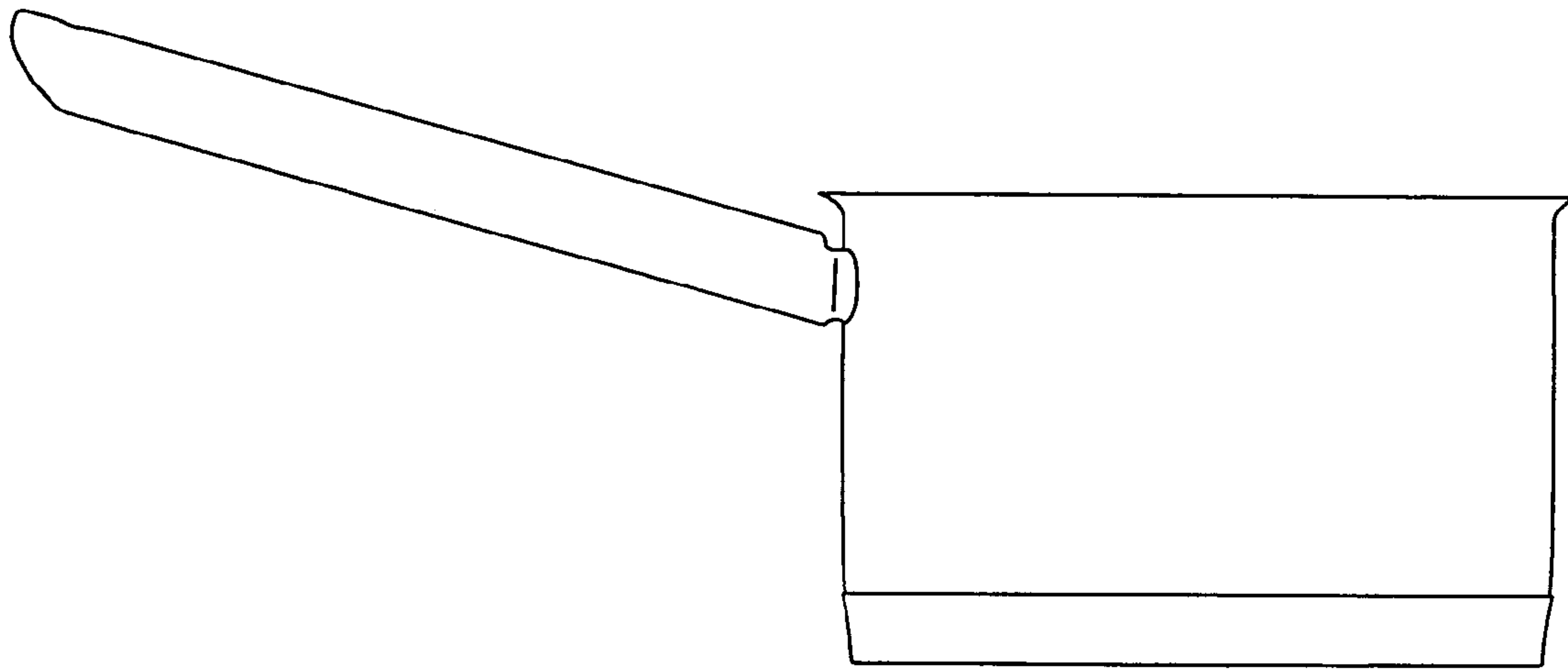


FIG. 2

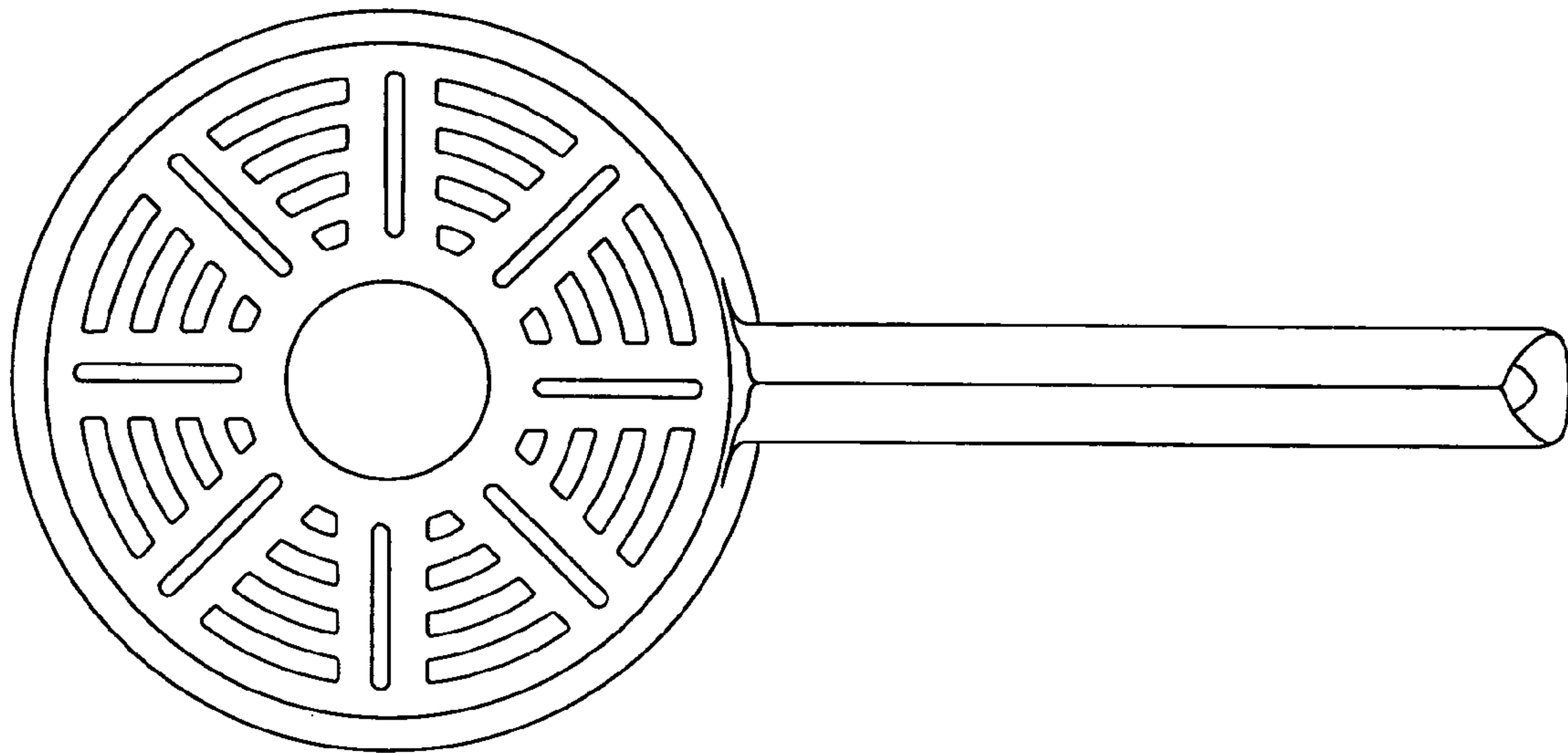


FIG. 3

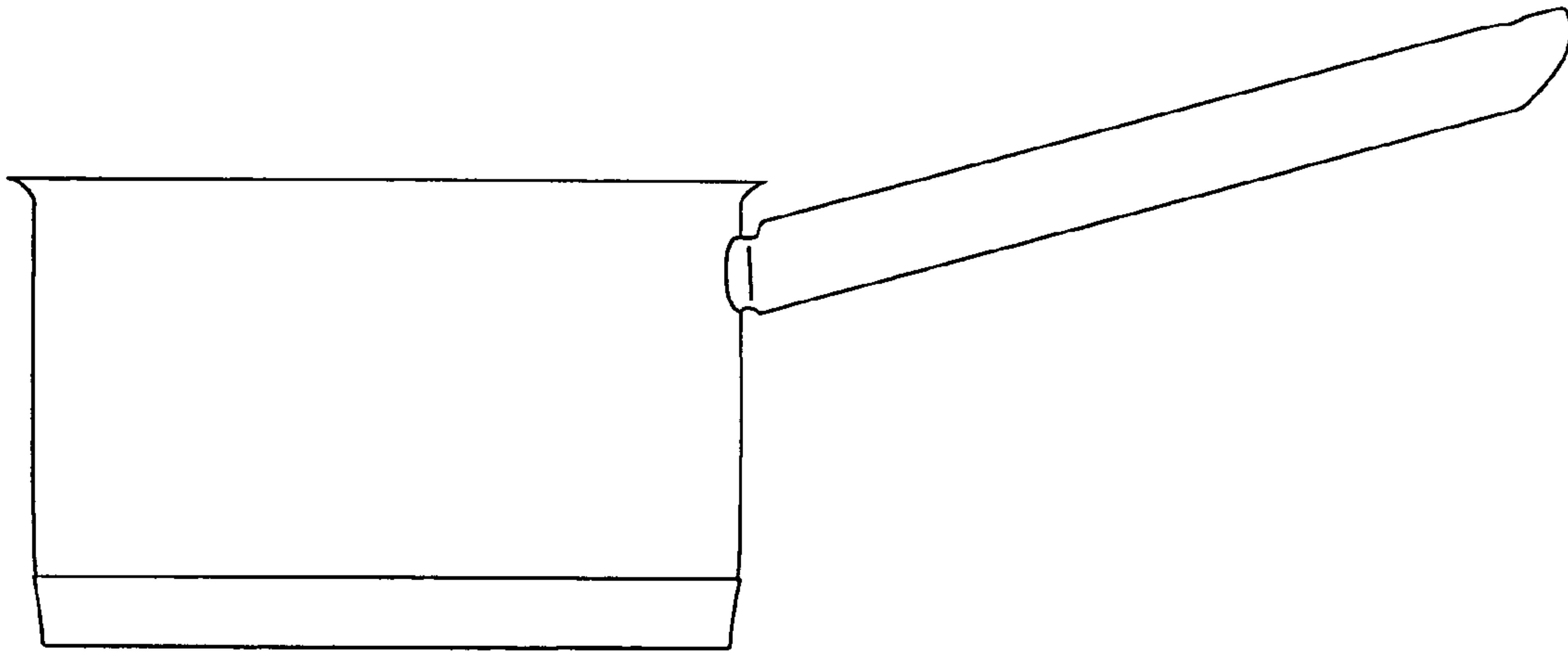


FIG. 4

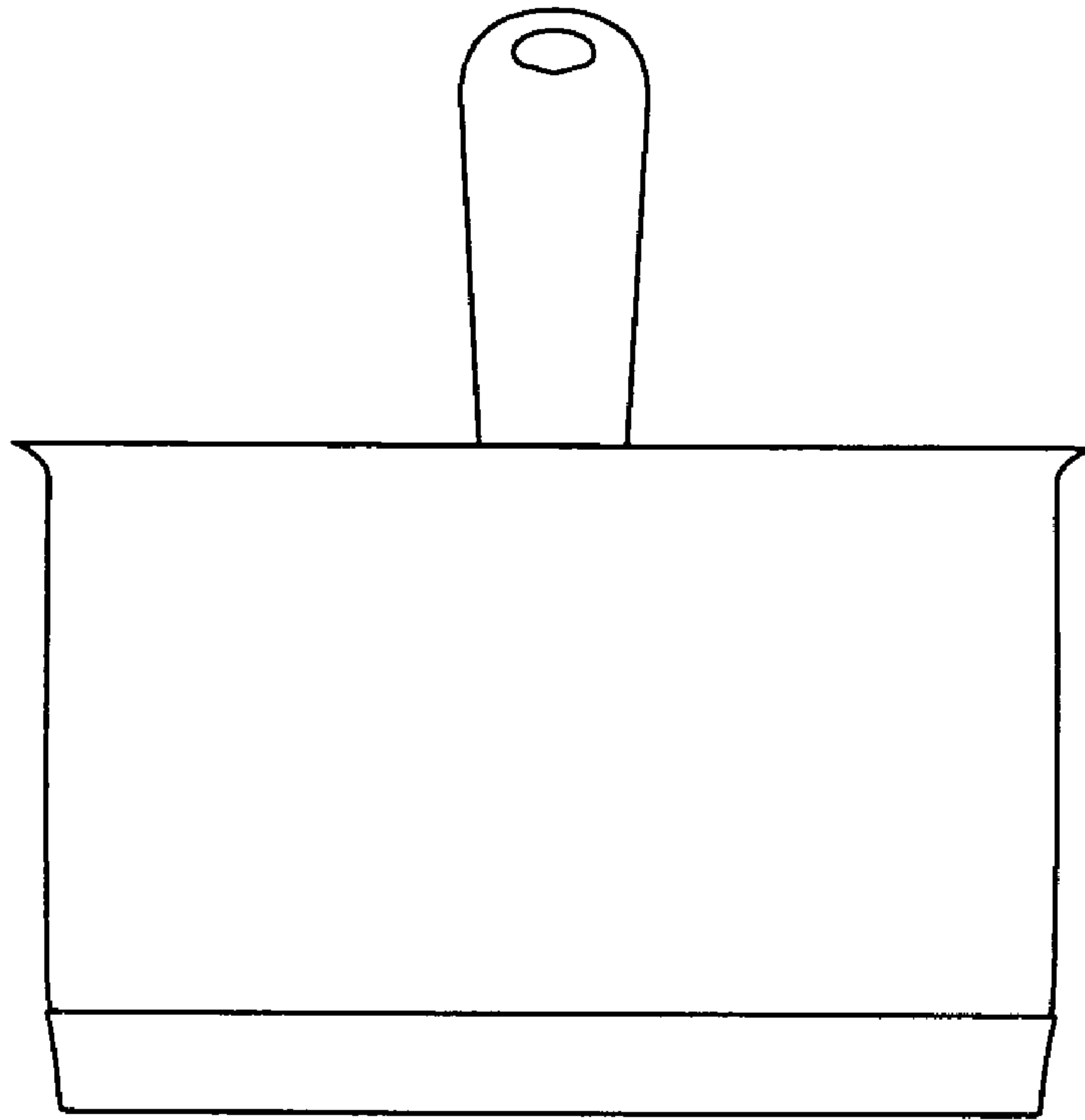


FIG. 5

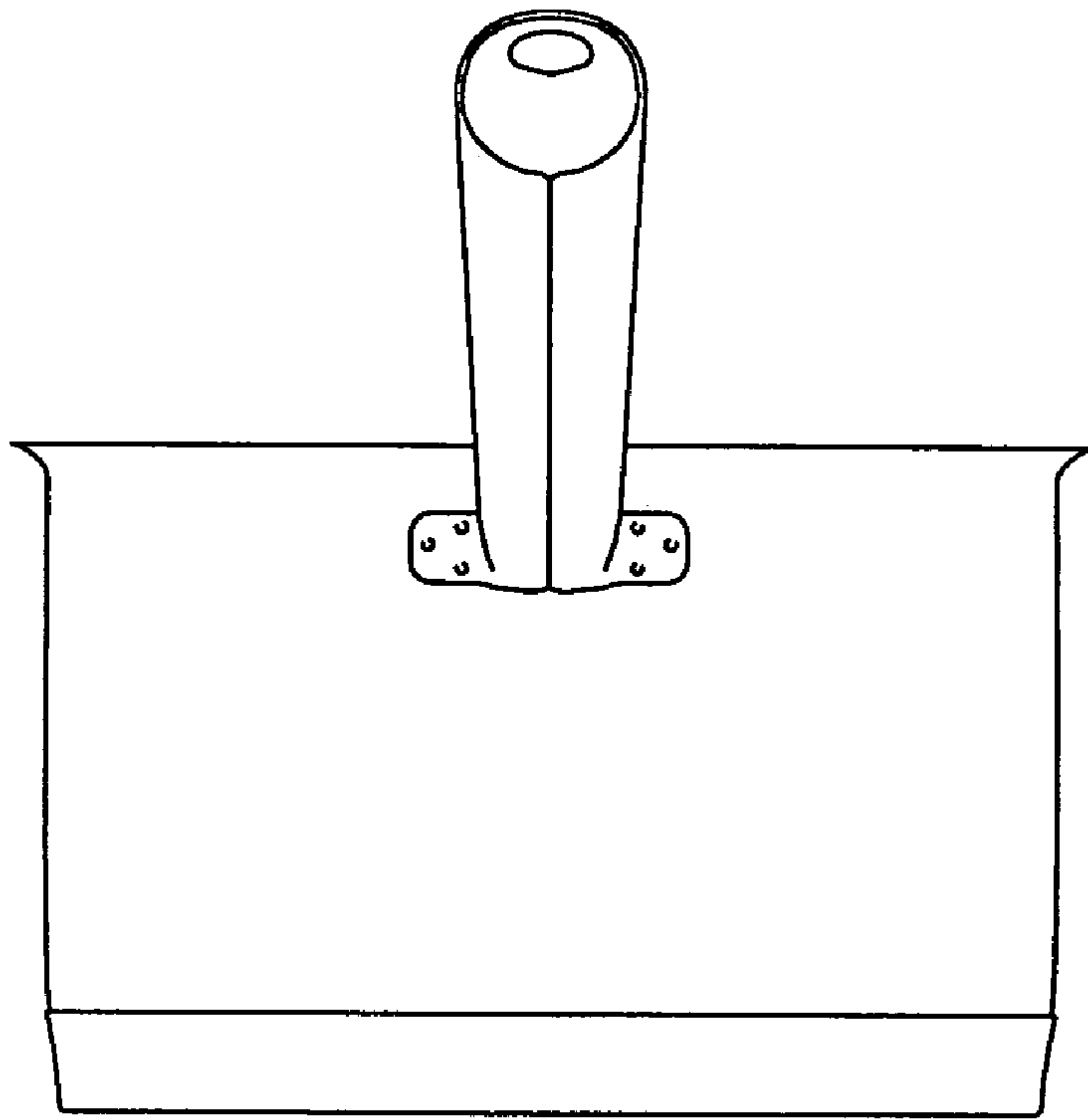


FIG. 6