



US00D552922S

(12) **United States Design Patent**
Dallaire

(10) **Patent No.:** **US D552,922 S**
(45) **Date of Patent:** **** Oct. 16, 2007**

(54) **VERTICAL ROASTER**

(75) Inventor: **Michel Dallaire**, Montreal (CA)

(73) Assignee: **Telasia Inc.**, Quebec (CA)

(**) Term: **14 Years**

(21) Appl. No.: **29/278,278**

(22) Filed: **Mar. 23, 2007**

(30) **Foreign Application Priority Data**

Sep. 25, 2006 (CA) 117529

(51) **LOC (8) Cl.** **07-02**

(52) **U.S. Cl.** **D7/354**

(58) **Field of Classification Search** D7/323,
D7/337, 350.1–350.4, 351–352, 354–362,
D7/365, 405, 406; D23/332, 360, 362; 99/323.8,
99/332, 339, 355, 341, 357, 395, 410, 417,
99/422, DIG. 14; 126/19 M, 19 R, 20, 275 R,
126/275 E, 369, 377; 219/222, 226, 241,
219/242, 385, 386, 388, 391, 393, 401–402,
219/428–430, 506, 620–622, 756–759; 392/309–310,
392/313

See application file for complete search history.

(56) **References Cited**

U.S. PATENT DOCUMENTS

5,404,803 A * 4/1995 Glucksmann 99/473
D371,038 S * 6/1996 Hsu D7/350.3
5,539,184 A * 7/1996 Su 219/388

D375,651 S * 11/1996 Su D7/350.3
D380,339 S * 7/1997 Hsu D7/350.3
D384,240 S * 9/1997 Wang D7/350.3
5,665,258 A * 9/1997 Hsu 219/388
D393,178 S * 4/1998 Su D7/350.3
5,866,876 A * 2/1999 Su 219/388
D442,423 S * 5/2001 Monard D7/350.4
D443,466 S * 6/2001 Wanat et al. D7/360
6,363,836 B1 * 4/2002 Usherovich 99/339
7,208,702 B2 * 4/2007 Choi 219/401

* cited by examiner

Primary Examiner—Cathron C. Brooks

Assistant Examiner—Ricky Pham

(57) **CLAIM**

The ornamental design for the “vertical roaster,” as shown and described.

DESCRIPTION

FIG. 1 is a perspective view of the roaster.

FIG. 2 is a perspective view of the roaster taken from the bottom thereof.

FIG. 3 is a left side elevational view of the roaster.

FIG. 4 is a front elevational view of the roaster.

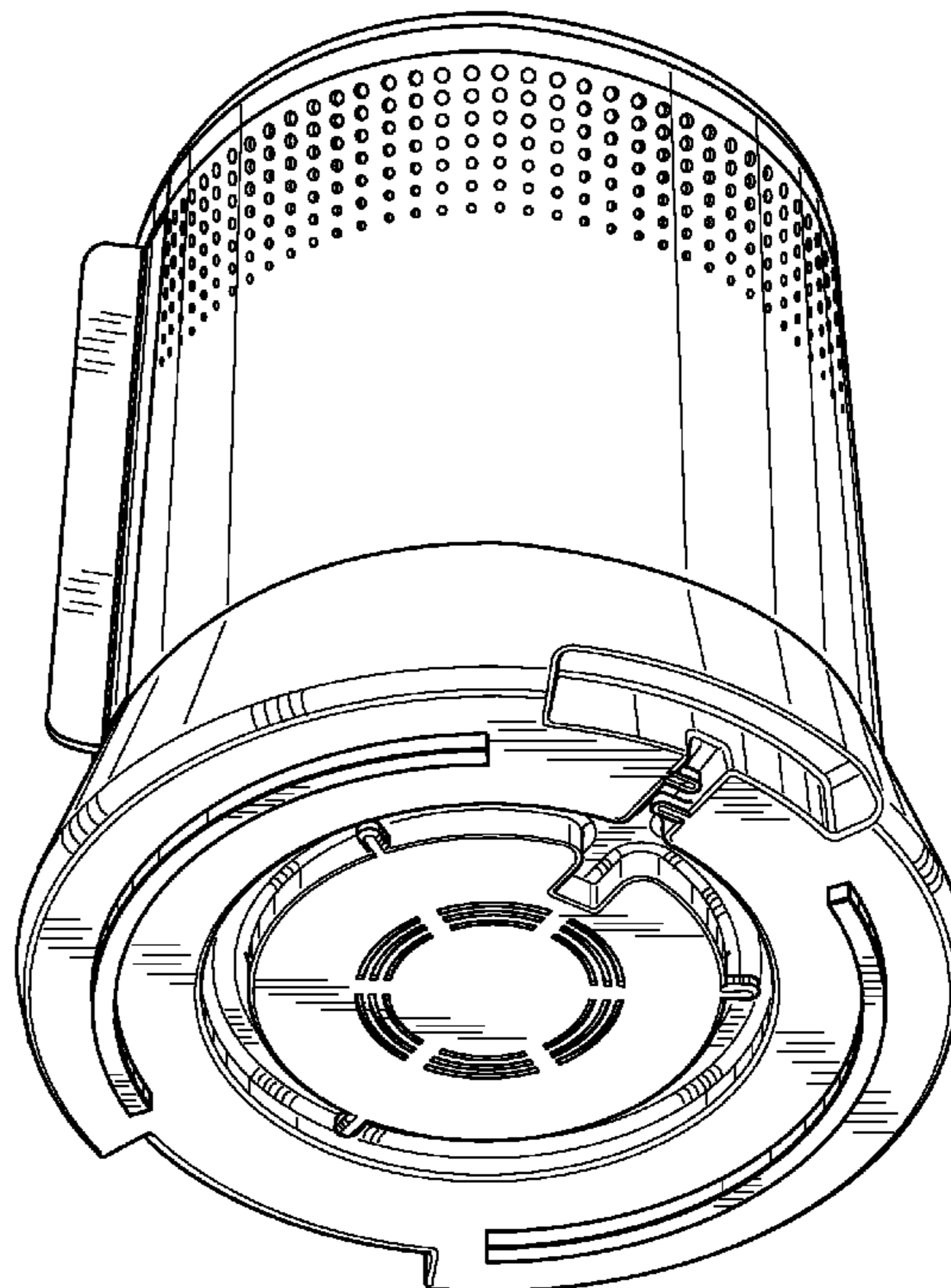
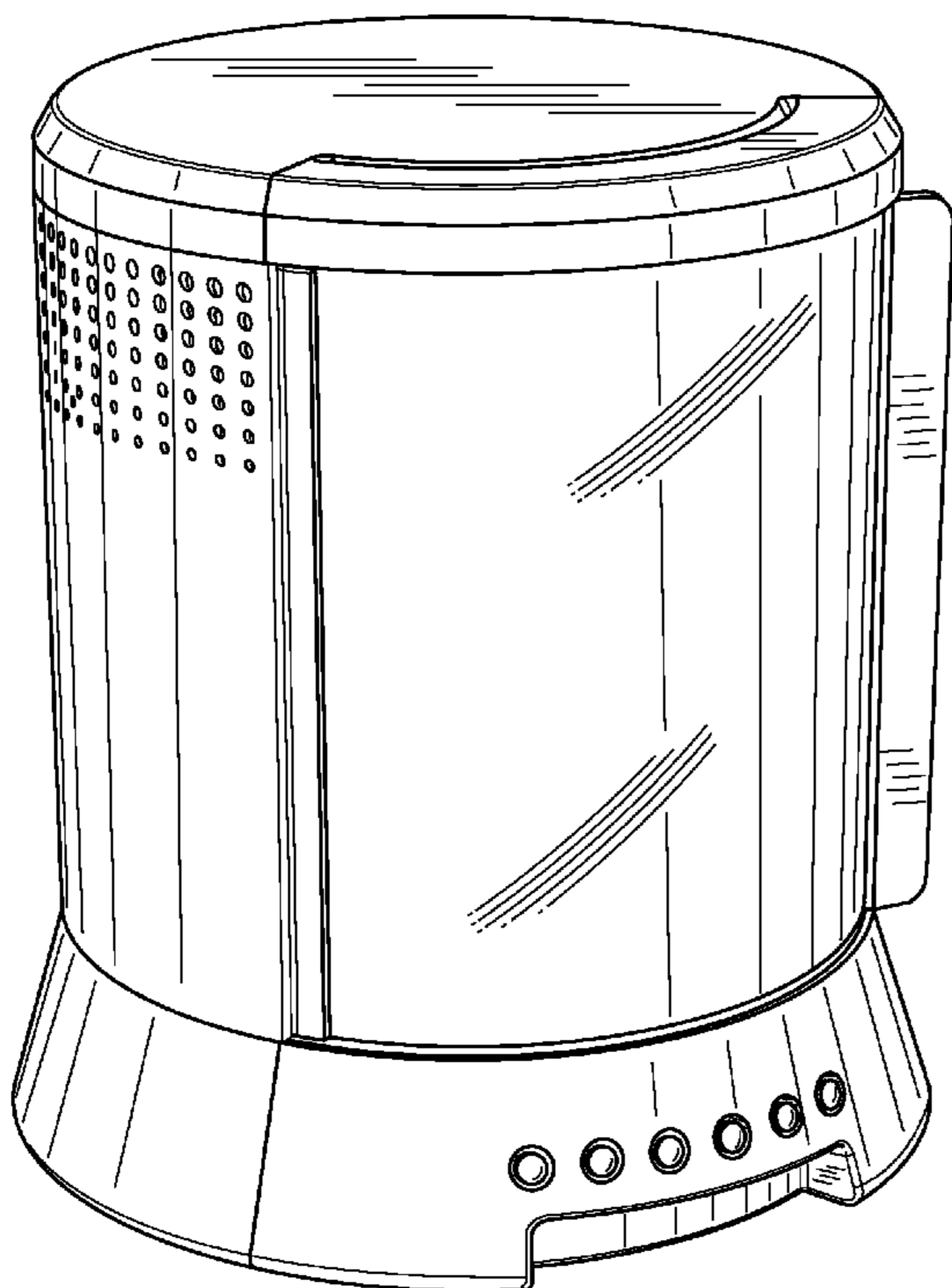
FIG. 5 is a right side elevational view of the roaster.

FIG. 6 is a rear elevational view of the roaster.

FIG. 7 is a top view of the roaster; and,

FIG. 8 is a bottom view of the roaster.

1 Claim, 4 Drawing Sheets



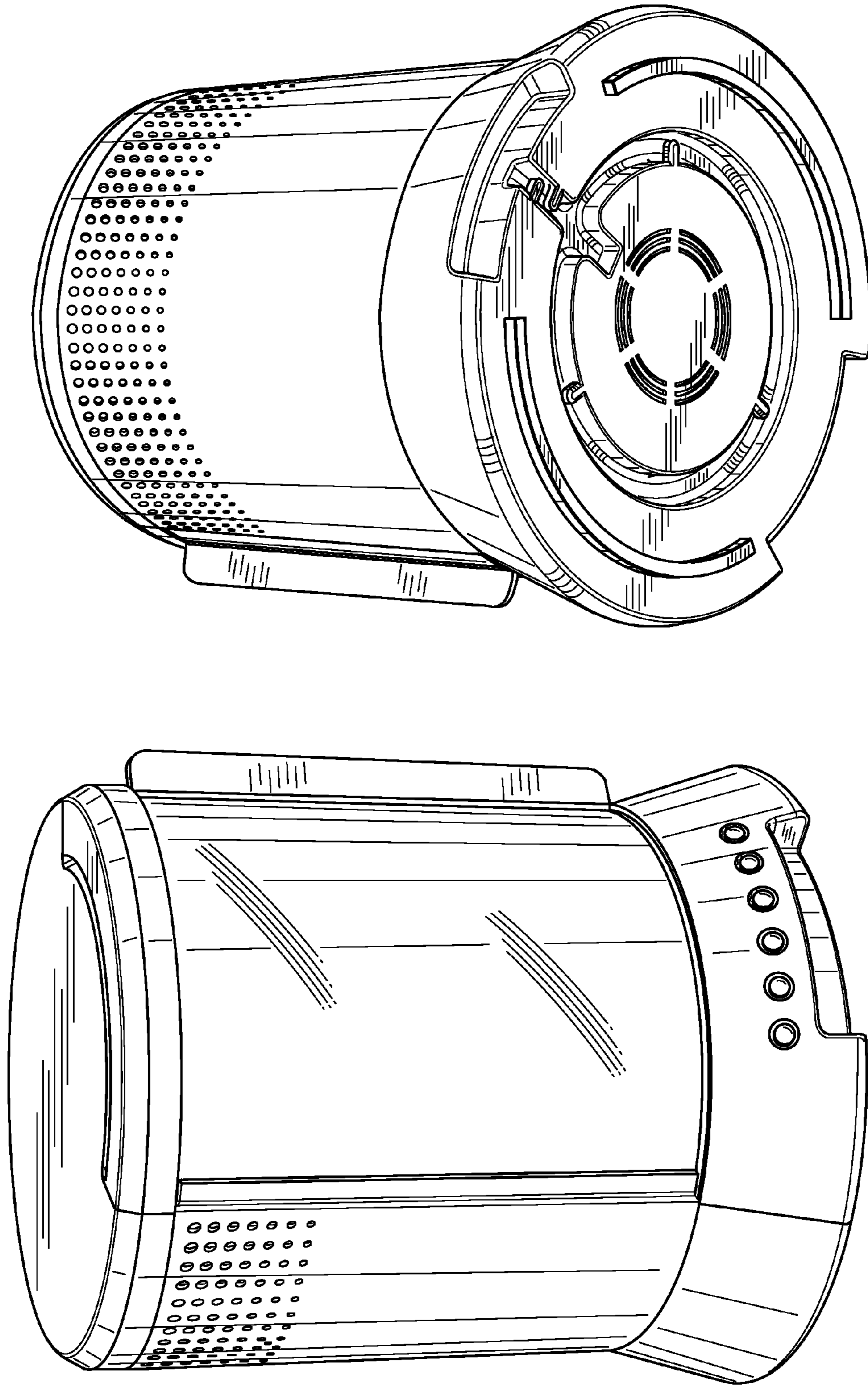


FIG. 2

FIG. 1

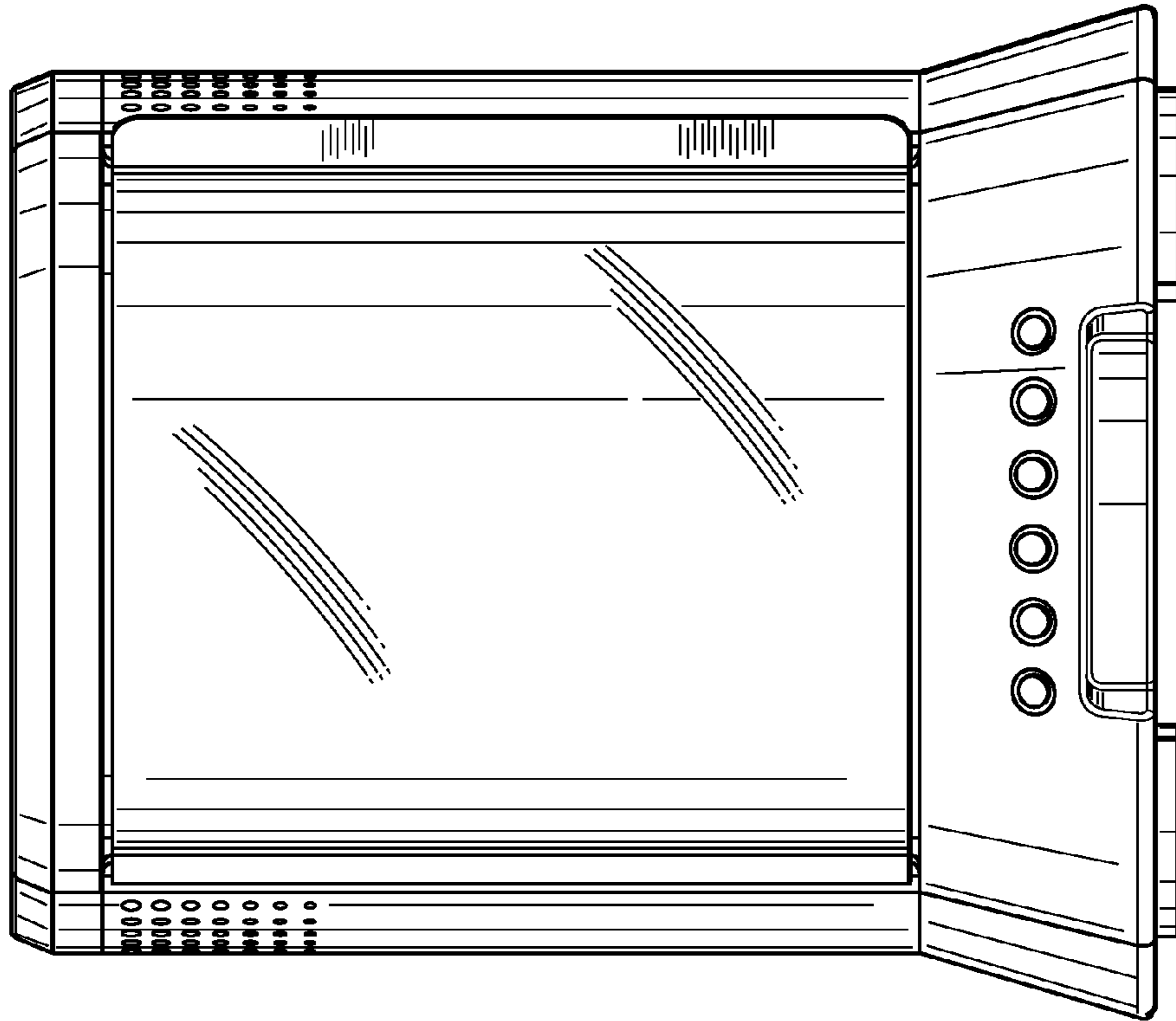


FIG. 4

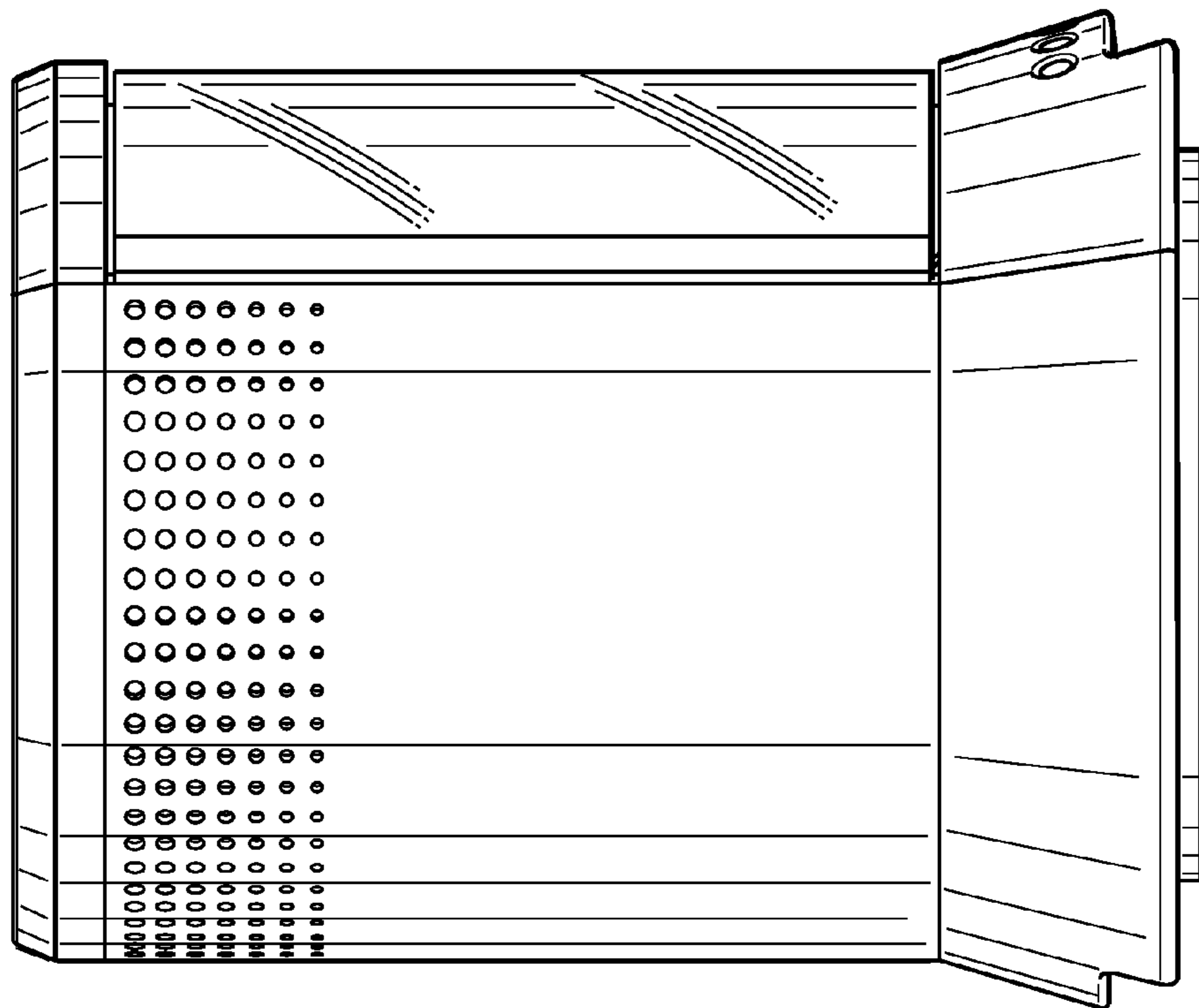


FIG. 3

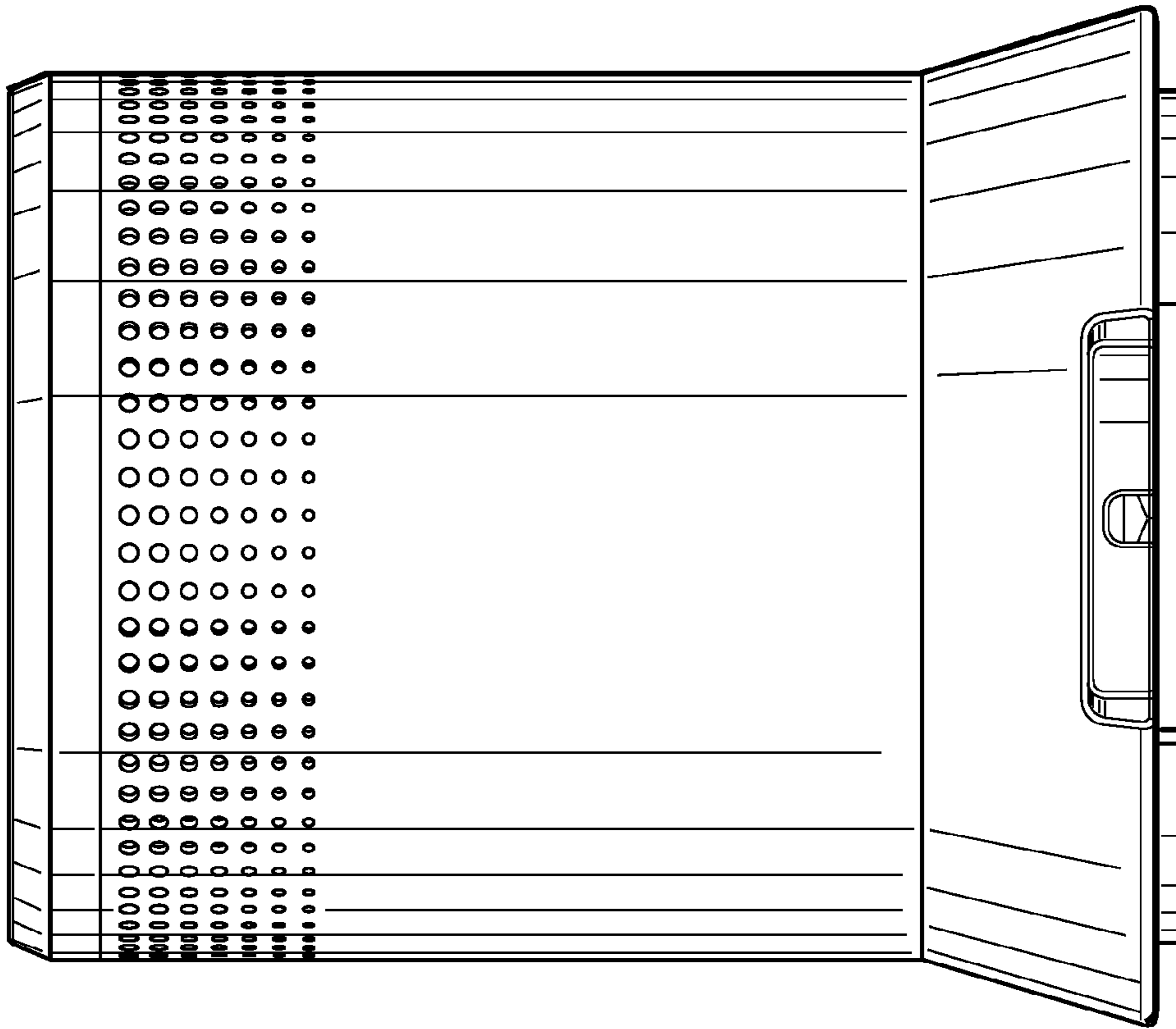


FIG. 6

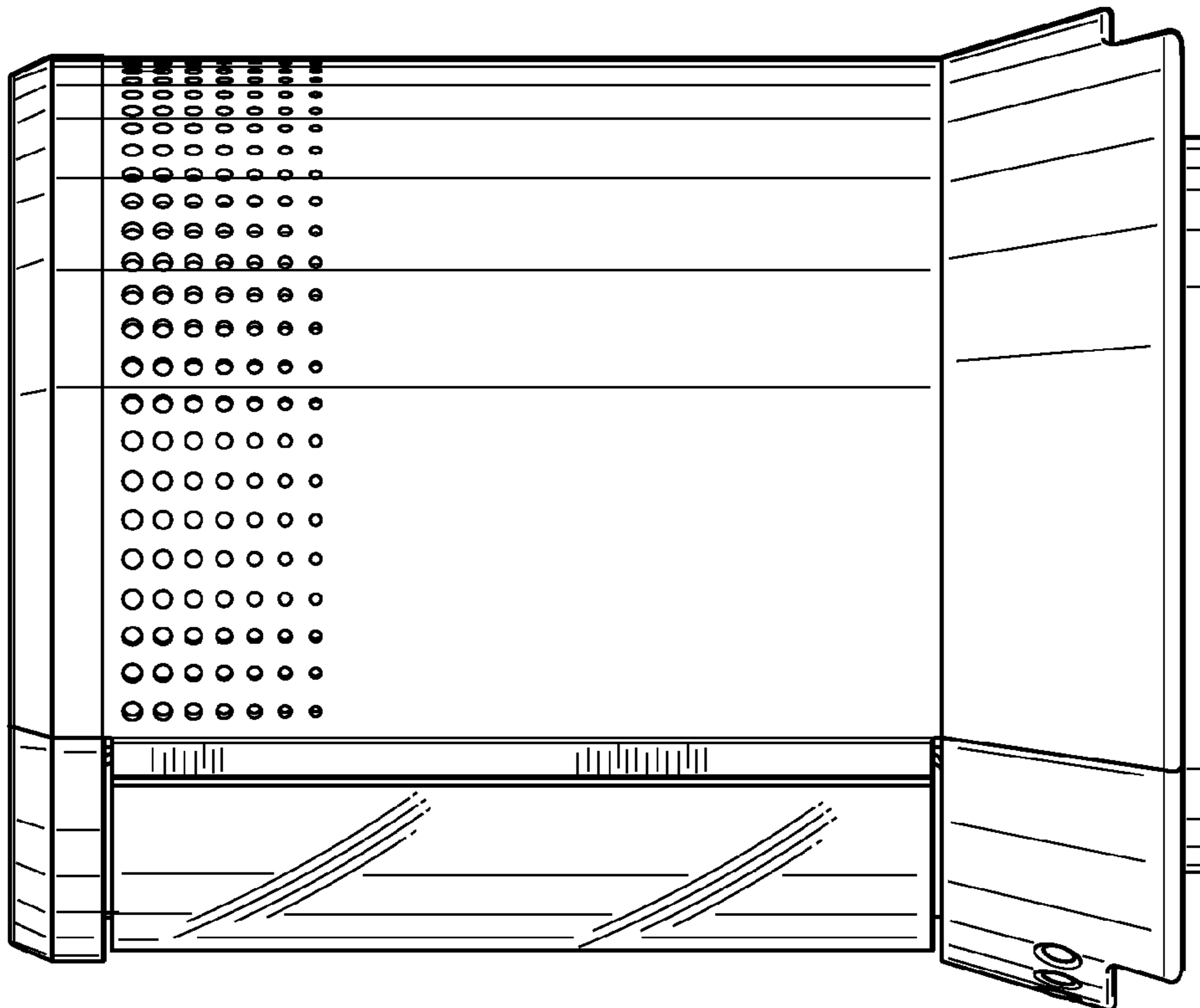


FIG. 5

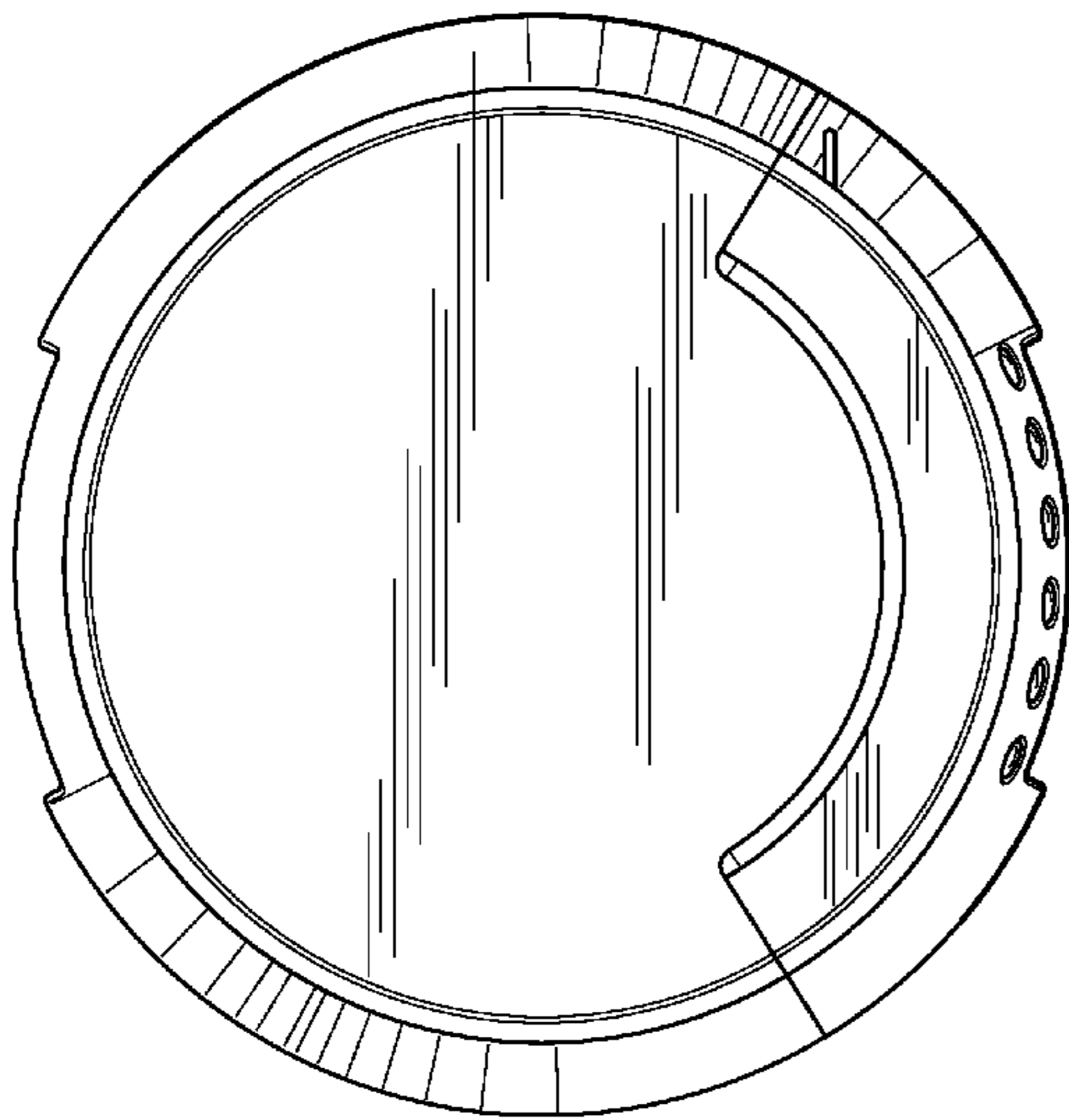


FIG. 7

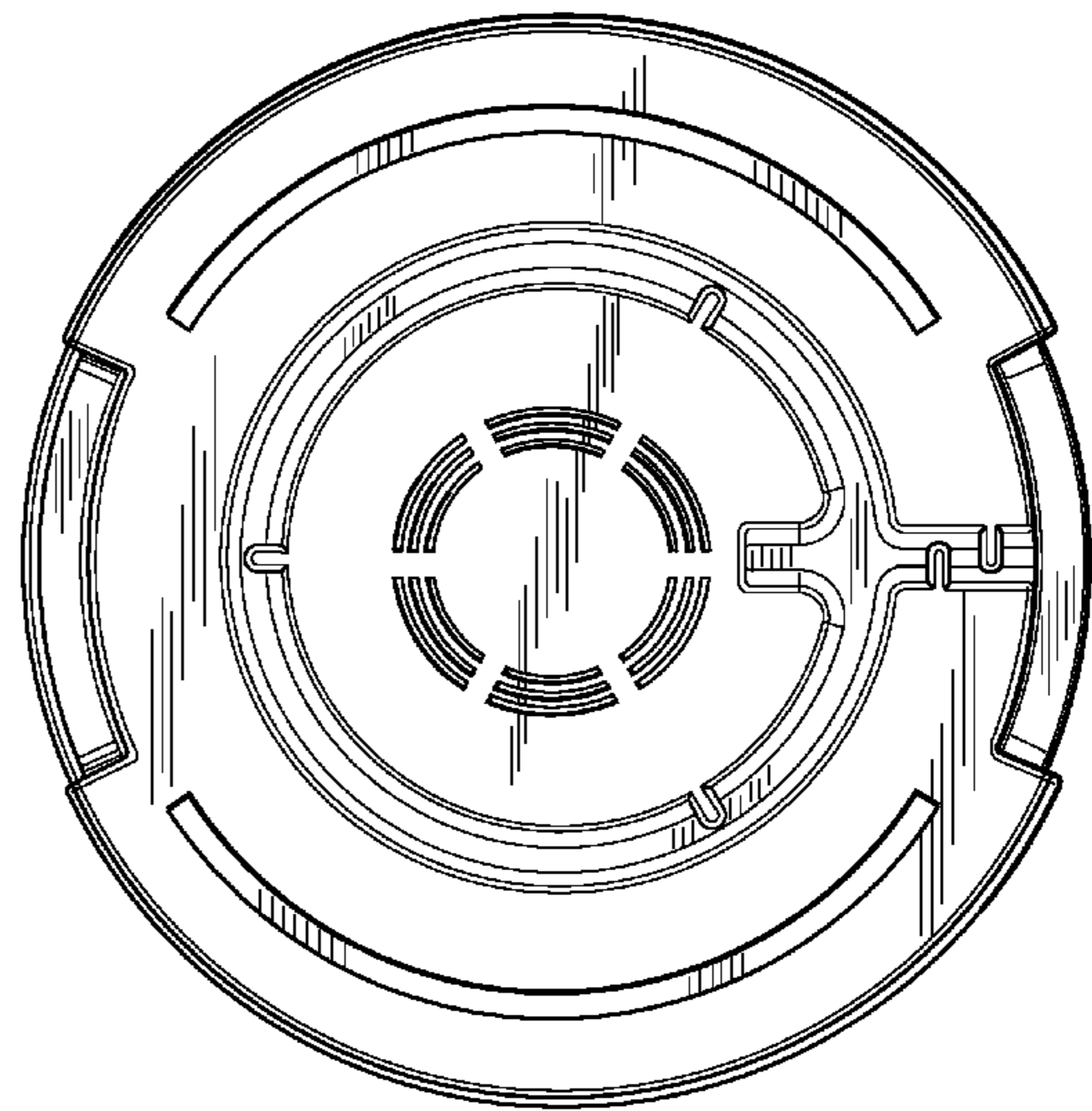


FIG. 8