



US00D552921S

(12) **United States Design Patent** (10) **Patent No.:** **US D552,921 S**
Garman et al. (45) **Date of Patent:** **** Oct. 16, 2007**

(54) **DEEP FRYER** 2,822,747 A 2/1958 Schwaneke
2,868,112 A 1/1959 Bushway
(75) Inventors: **Michael Garman**, Midlothian, VA 3,217,633 A 11/1965 Anetsberger
(US); **Anja Catharina Thomas**, 3,225,681 A 12/1965 Wells
Richmond, VA (US); **David Lee** 3,331,309 A 7/1967 Proffitt
Jackson, Mechanicsville, VA (US) 3,430,553 A 3/1969 DiPietro
3,463,077 A * 8/1969 Lescure 99/403
(73) Assignee: **Hamilton Beach/Procter-Silex, Inc.**, D216,323 S 12/1969 Lescure
Glen Allen, VA (US) 3,501,316 A 3/1970 Guthrie, Sr.

(Continued)

(**) Term: **14 Years**

FOREIGN PATENT DOCUMENTS

(21) Appl. No.: **29/276,109**

DE 3143863 A1 5/1983

(22) Filed: **Jan. 16, 2007**

(Continued)

(51) **LOC (8) Cl.** **07-02**

Primary Examiner—Cathron C. Brooks

(52) **U.S. Cl.** **D7/354**

Assistant Examiner—Ricky Pham

(58) **Field of Classification Search** D7/323,
D7/353–362, 366–369, 330, 331, 336–339,
D7/347, 350.2, 350.3, 351–352; D15/150;
99/348, 371, 389, 403, 446; 219/620–622;
220/573.4

(74) *Attorney, Agent, or Firm*—Akin Gump Strauss Hauer & Feld LLP

See application file for complete search history.

(57) **CLAIM**

The ornamental design for a deep fryer, as shown and described.

(56) **References Cited**

DESCRIPTION

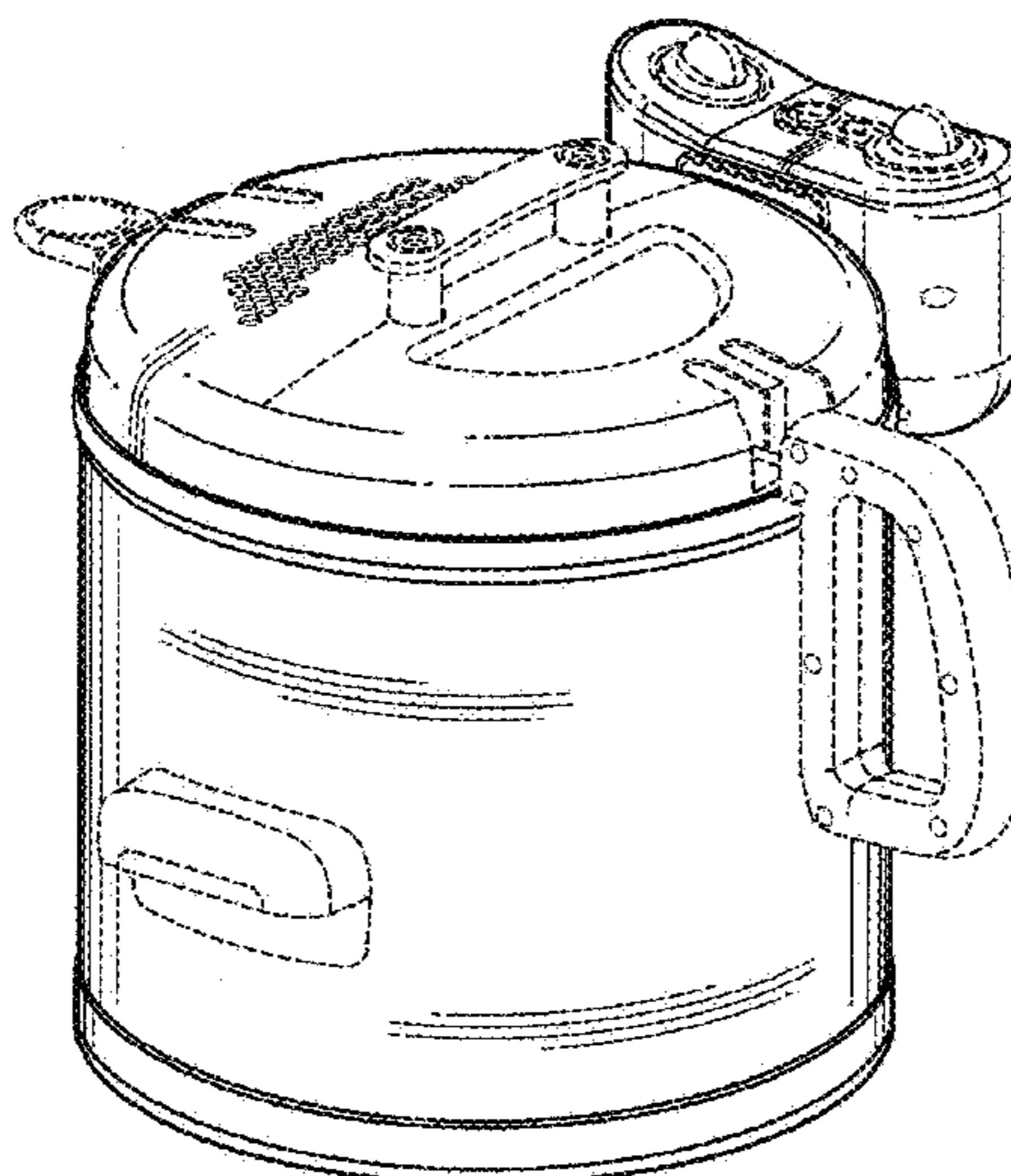
U.S. PATENT DOCUMENTS

611,705 A 10/1898 Obermann
D31,043 S 6/1899 Smith
1,023,645 A 4/1912 Hamilton
D58,205 S 6/1921 Andrews, Jr.
1,990,351 A 2/1935 Shroyer
2,032,175 A 2/1936 Jones
2,128,738 A 8/1938 Blake
2,215,929 A 9/1940 Husk
2,307,408 A 1/1943 Kent
2,550,758 A 5/1951 Bemis
2,597,695 A 2/1952 Braski et al.
2,772,626 A 12/1956 Shaw
2,805,314 A 9/1957 Michaelis
2,820,446 A 1/1958 Freeman

FIG. 1 is a front right perspective view of a deep fryer in accordance with our new design;
FIG. 2 is a front elevation view thereof;
FIG. 3 is a left side elevation view thereof;
FIG. 4 is a rear elevational view thereof;
FIG. 5 is a right side elevation view thereof;
FIG. 6 is a top plan view thereof; and,
FIG. 7 is a bottom plan view thereof.

The broken lines in the figures are for illustrative purposes only and form no part of the claimed design.

1 Claim, 7 Drawing Sheets



US D552,921 S

Page 2

U.S. PATENT DOCUMENTS

3,534,677 A 10/1970 Keathley
 3,667,374 A 6/1972 Holmes
 D226,940 S 5/1973 Lax
 3,831,002 A 8/1974 Mysicka et al.
 3,908,531 A 9/1975 Morley
 3,971,307 A 7/1976 Graham
 3,975,997 A 8/1976 DiPietro
 3,981,044 A 9/1976 Luebke et al.
 4,013,869 A 3/1977 Orts
 D264,540 S 5/1982 Otake
 4,437,159 A 3/1984 Waugh
 4,468,556 A 8/1984 Cunningham et al.
 4,487,117 A 12/1984 Colley et al.
 4,626,352 A 12/1986 Massey et al.
 4,735,135 A 4/1988 Walker
 4,852,471 A 8/1989 Lansing
 D313,531 S 1/1991 Barrault
 4,995,312 A 2/1991 Leiros
 5,029,519 A 7/1991 Boyen
 5,033,369 A 7/1991 Wu
 5,072,664 A 12/1991 Tienor et al.
 D323,762 S * 2/1992 Barrault D7/354
 5,189,946 A 3/1993 Leon
 D337,479 S * 7/1993 Doi D7/354
 D338,133 S * 8/1993 Mano et al. D7/360
 5,251,542 A * 10/1993 Itoh et al. 99/403
 D344,874 S 3/1994 Howard et al.
 D345,281 S 3/1994 Mauffrey
 D345,485 S 3/1994 Leung
 5,305,686 A 4/1994 Svensson
 D347,352 S * 5/1994 Myers et al. D7/354
 5,400,700 A 3/1995 Bois
 5,415,082 A 5/1995 Nagao
 D360,804 S 8/1995 Hamada et al.
 5,471,911 A 12/1995 Minari et al.
 D368,621 S * 4/1996 Mano D7/360
 5,511,466 A 4/1996 Dzibinski
 D369,505 S * 5/1996 Philippe D7/354
 D374,791 S 10/1996 Wu et al.
 5,590,587 A 1/1997 Polster
 5,598,767 A 2/1997 Minari et al.
 5,601,011 A 2/1997 Minari et al.
 5,613,423 A 3/1997 Polster
 D378,647 S 4/1997 Piret
 5,632,403 A * 5/1997 Deng 220/573.4
 D380,504 S 7/1997 Yang
 D382,767 S * 8/1997 Lien D7/360
 5,746,117 A 5/1998 Chang
 D395,980 S 7/1998 Boisselier
 5,794,522 A 8/1998 Bois et al.
 5,802,960 A 9/1998 Graj et al.
 D405,290 S 2/1999 Hollinger
 5,873,298 A 2/1999 Chang
 5,918,535 A 7/1999 Moreau
 D416,166 S 11/1999 Hirose et al.
 5,988,048 A 11/1999 Hunter et al.
 5,992,306 A 11/1999 Chiang
 5,992,308 A 11/1999 Kroscher et al.
 6,006,658 A 12/1999 Siu
 D418,361 S 1/2000 Utsugi
 D419,824 S 2/2000 Sham et al.

D423,277 S 4/2000 Josancy
 D424,366 S 5/2000 Blaise
 D427,481 S 7/2000 De' Longhi
 D427,841 S 7/2000 De'Longhi
 6,085,641 A 7/2000 De'Longhi
 D432,348 S 10/2000 Shaw
 D434,269 S 11/2000 Jo
 D436,795 S 1/2001 Martres et al.
 6,172,339 B1 1/2001 Thevenin
 6,201,217 B1 3/2001 Moon et al.
 6,250,213 B1 6/2001 De'Longhi
 6,262,398 B1 7/2001 Busquets et al.
 6,263,787 B1 7/2001 Tseng et al.
 D446,680 S 8/2001 Falt et al.
 6,269,737 B1 8/2001 Rigney et al.
 6,322,831 B1 11/2001 Mote et al.
 D452,795 S 1/2002 Johnson et al.
 6,363,834 B1 4/2002 Song
 6,365,878 B1 4/2002 Lau et al.
 D463,711 S 10/2002 Josancy
 D464,526 S 10/2002 Brown
 6,498,323 B1 12/2002 Robertson, Jr. et al.
 D473,097 S 4/2003 Brown et al.
 6,545,252 B2 4/2003 Wang
 6,546,848 B2 4/2003 Ehlhardt et al.
 D474,937 S 5/2003 Josancy
 D475,570 S 6/2003 Josancy
 6,617,554 B2 9/2003 Moon et al.
 6,619,191 B2 9/2003 Mariotti
 D486,351 S 2/2004 Lu et al.
 6,711,992 B1 3/2004 McLemore
 6,711,993 B2 3/2004 Robertson
 6,719,576 B2 4/2004 Hartman et al.
 D489,935 S 5/2004 Choi
 6,742,444 B1 6/2004 Lai et al.
 6,747,250 B1 6/2004 Cha
 6,807,899 B2 10/2004 Dirand
 6,900,415 B1 5/2005 Roach et al.
 6,936,795 B1 8/2005 Moon et al.
 6,941,857 B2 9/2005 McLemore
 6,965,096 B2 11/2005 Wang
 D516,374 S 3/2006 McLemore
 7,015,429 B2 3/2006 Lau et al.
 D520,299 S 5/2006 Carlson
 D525,478 S * 7/2006 Averty D7/354
 D532,248 S * 11/2006 Allende Fritsch D7/354
 D534,561 S * 1/2007 Kasman D15/150
 2002/0017198 A1 2/2002 Gauthier et al.
 2003/0192435 A1 10/2003 McNair
 2004/0107957 A1 6/2004 Nishida et al.
 2004/0154474 A1 8/2004 Chan
 2005/0034611 A1 2/2005 McLemore
 2005/0139207 A1 6/2005 Gow
 2006/0065130 A1 3/2006 Ehlhardt

FOREIGN PATENT DOCUMENTS

DE 3150455 6/1983
 DE 3221433 A1 12/1983
 EP 0432370 A1 6/1991
 WO 03030697 A1 4/2003
 WO 03030698 A1 4/2003

* cited by examiner

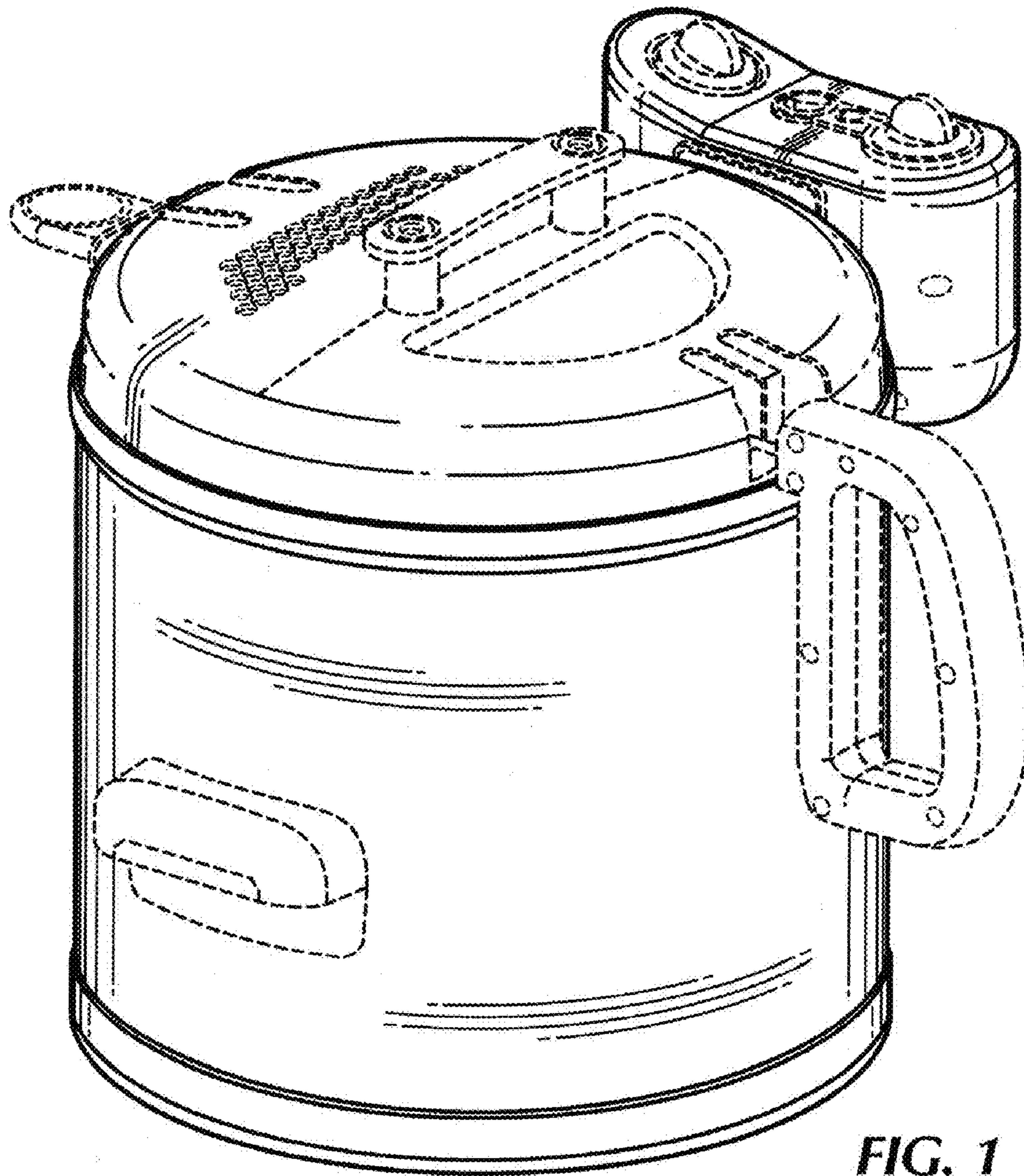


FIG. 1

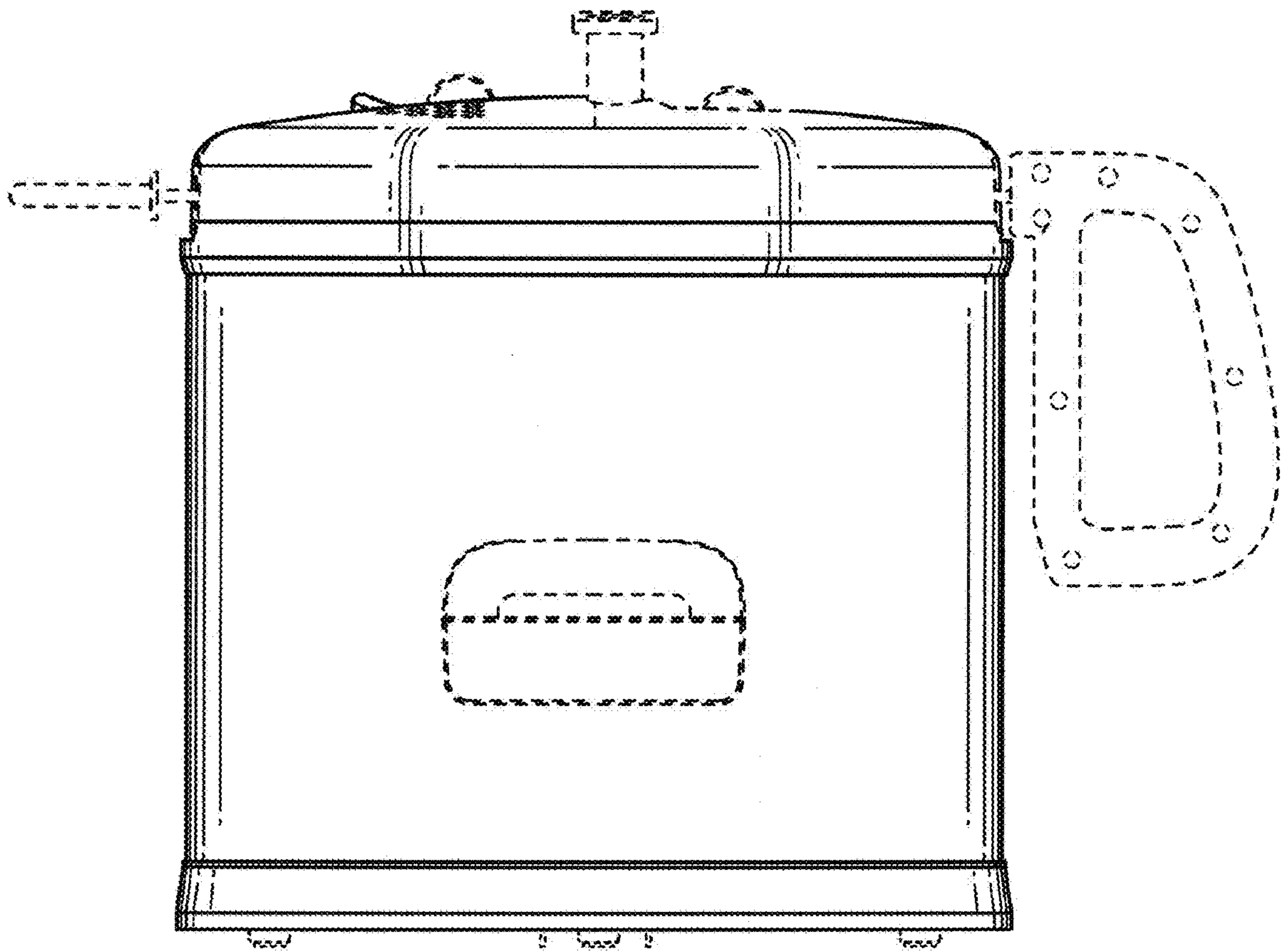


FIG. 2

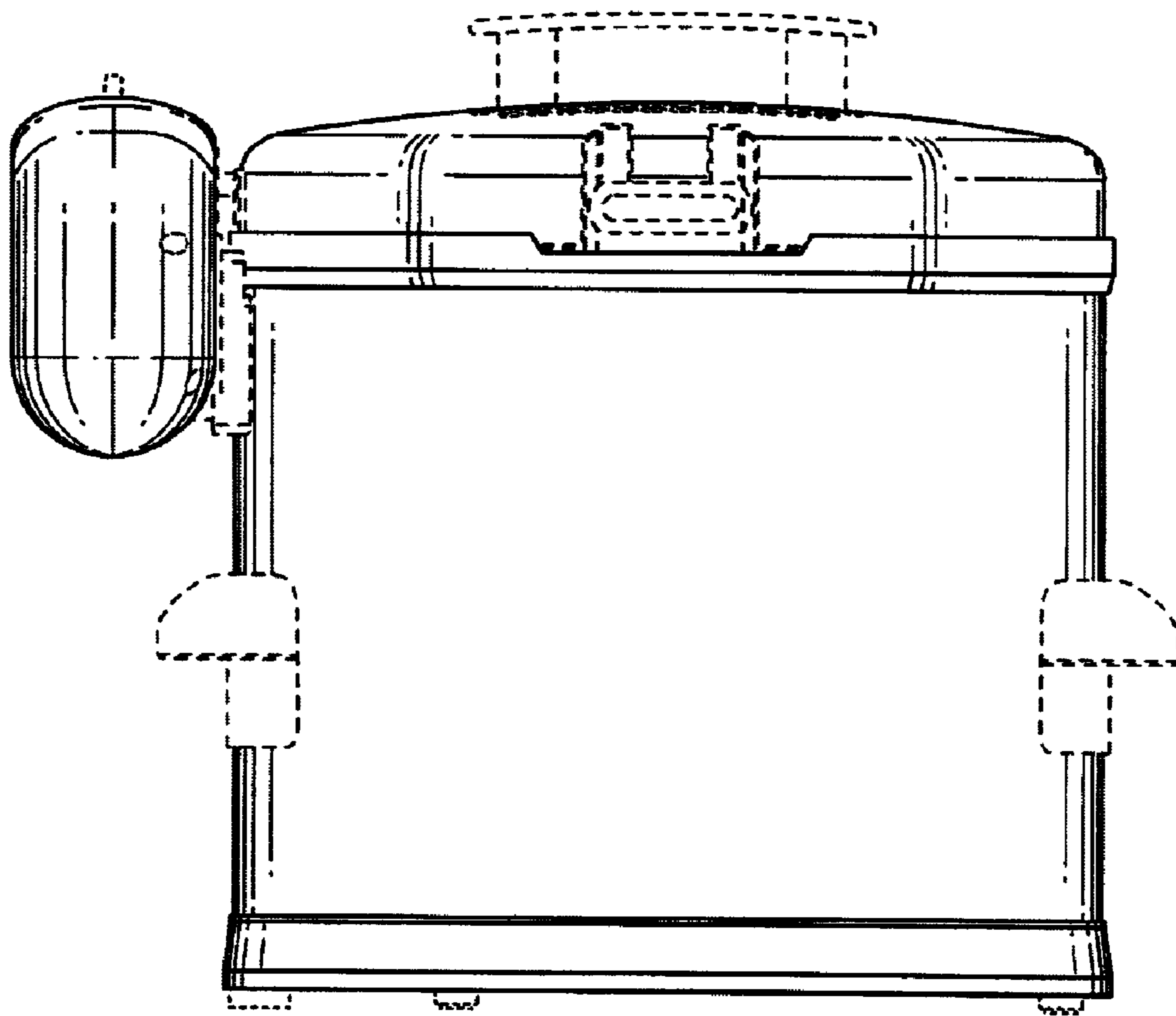


FIG. 3

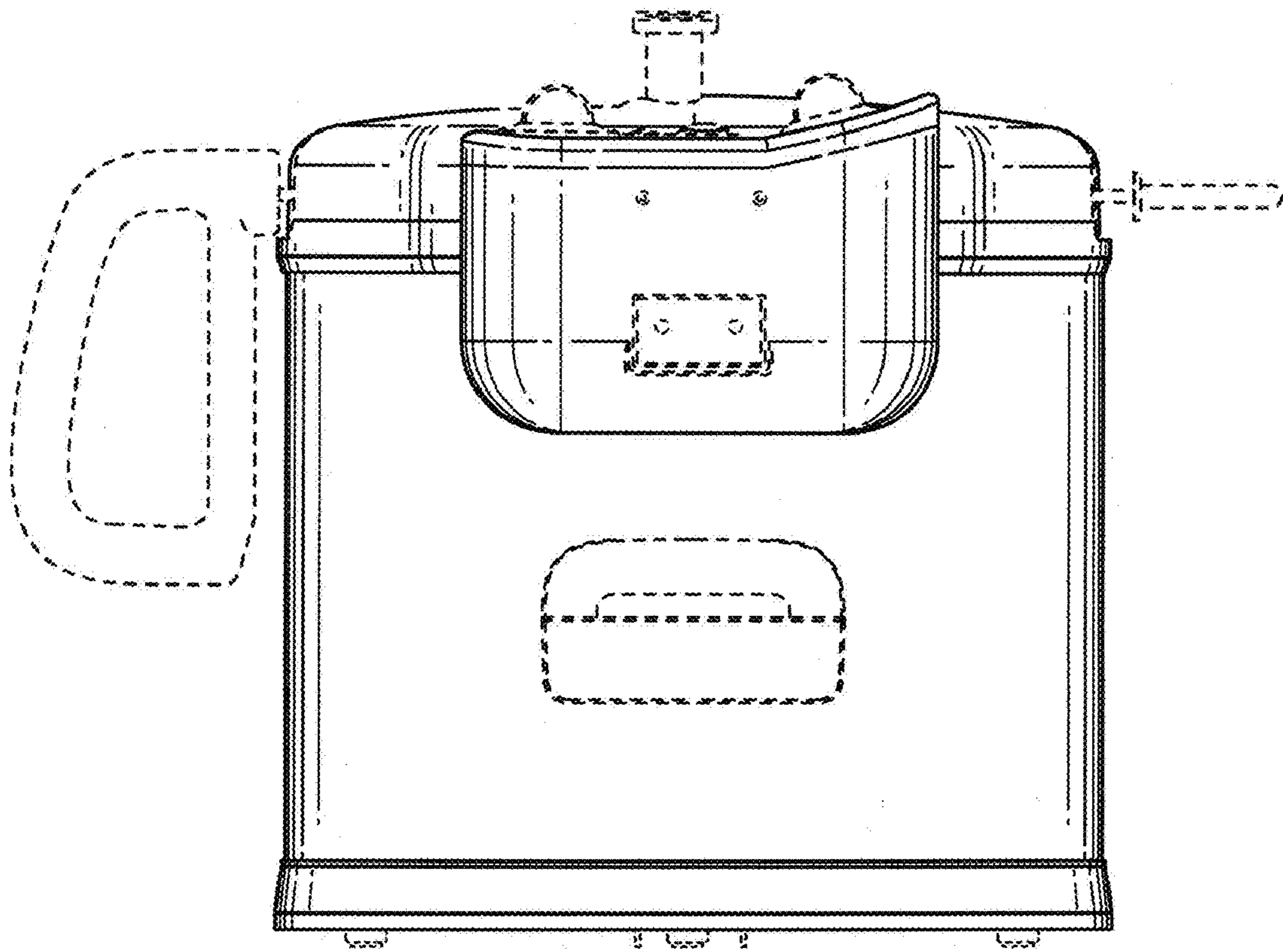


FIG. 4

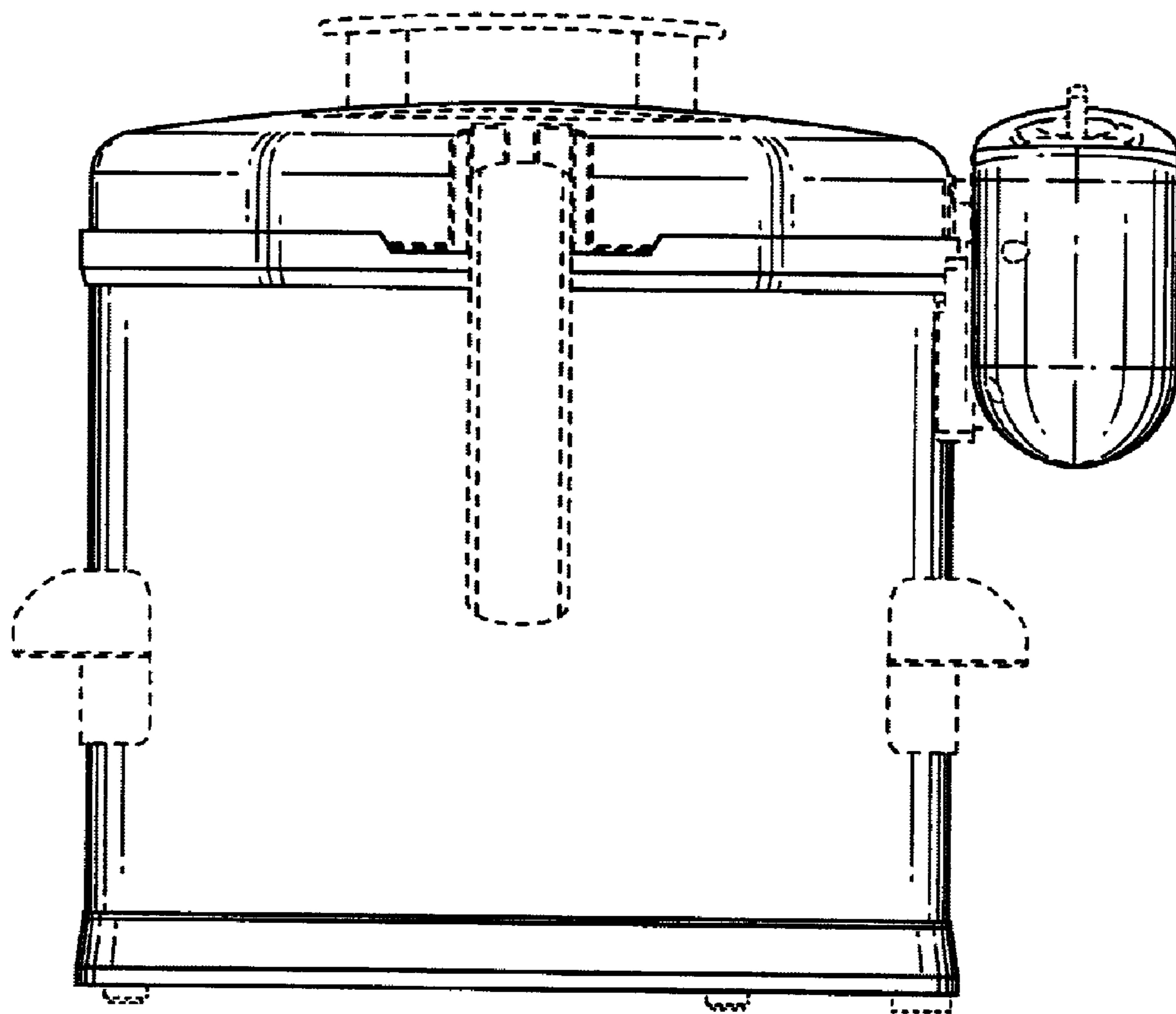


FIG. 5

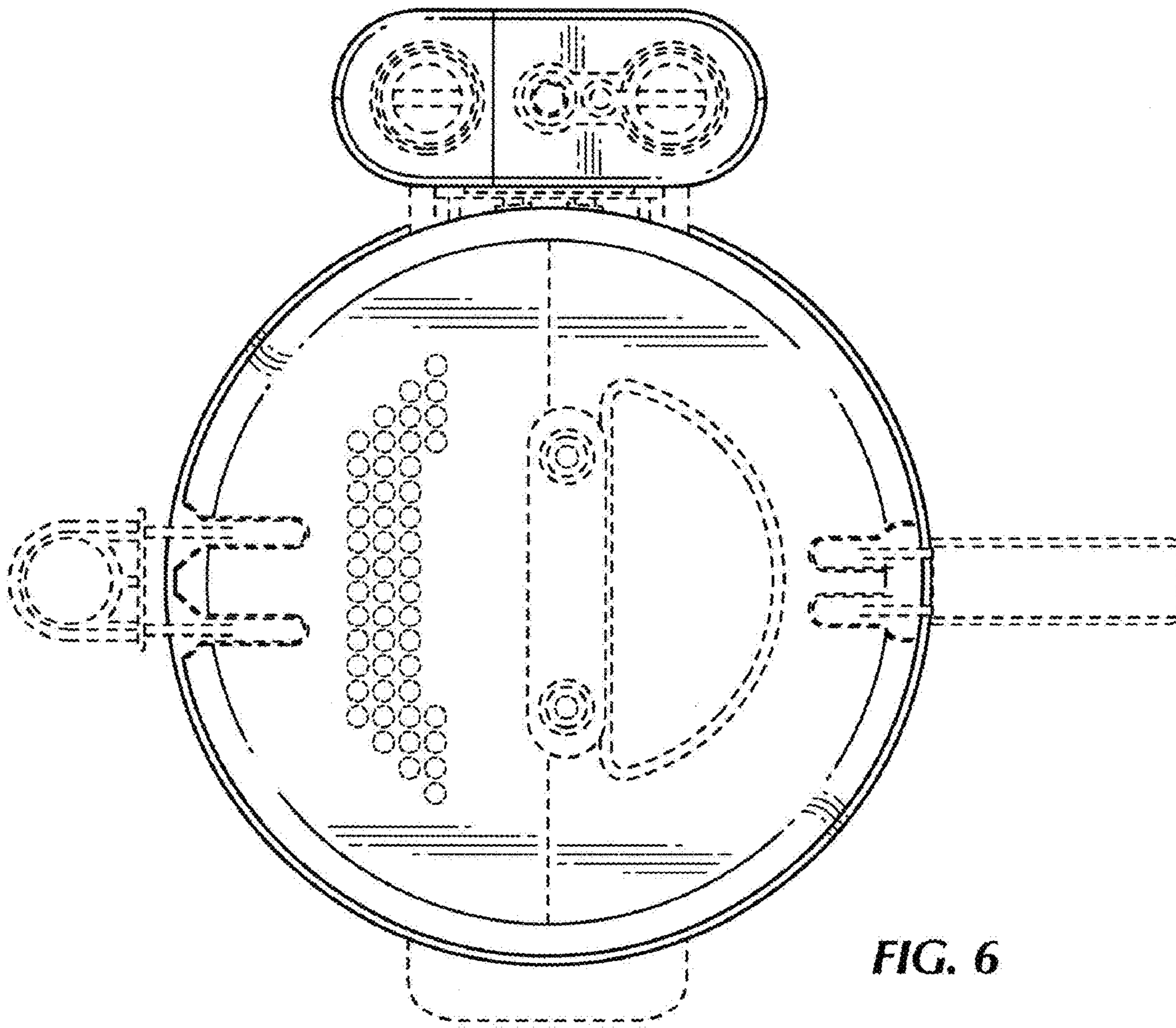


FIG. 6

