

US00D552920S

(12) **United States Design Patent**
Chung et al.

(10) **Patent No.:** **US D552,920 S**

(45) **Date of Patent:** **** Oct. 16, 2007**

(54) **OVEN RANGE**

D424,862 S * 5/2000 Holbrook D7/349
D526,527 S * 8/2006 Jung et al. D7/348

(75) Inventors: **Wook Jun Chung**, Seoul (KR); **Jung Hoon Baek**, Gyeongsangnam-do (KR)

* cited by examiner

(73) Assignee: **LG Electronics Inc.**, Seoul (KR)

Primary Examiner—Catherine R. Oliver
(74) *Attorney, Agent, or Firm*—Birch, Stewart, Kolasch & Birch, LLP

(**) Term: **14 Years**

(21) Appl. No.: **29/269,563**

(57) **CLAIM**

(22) Filed: **Dec. 4, 2006**

The ornamental design for an oven range, as shown and described.

(30) **Foreign Application Priority Data**

Jun. 2, 2006 (KR) 30-2006-0020526

DESCRIPTION

(51) **LOC (8) Cl.** **07-02**

FIG. 1 is a front, right perspective view of the oven range showing our new design;

(52) **U.S. Cl.** **D7/348**

FIG. 2 is a front view thereof;

(58) **Field of Classification Search** D7/348,
D7/347, 349, 405–406, 339–340; 126/21 R,
126/19 R, 273 R, 52, 37 R, 39 R

FIG. 3 is a rear view thereof;

See application file for complete search history.

FIG. 4 is a left side view thereof, the right side view being a mirror image thereof;

(56) **References Cited**

FIG. 5 is a top plan view thereof; and,

U.S. PATENT DOCUMENTS

FIG. 6 is a bottom plan view thereof.

D366,983 S * 2/1996 Leukhardt et al. D7/349

1 Claim, 4 Drawing Sheets

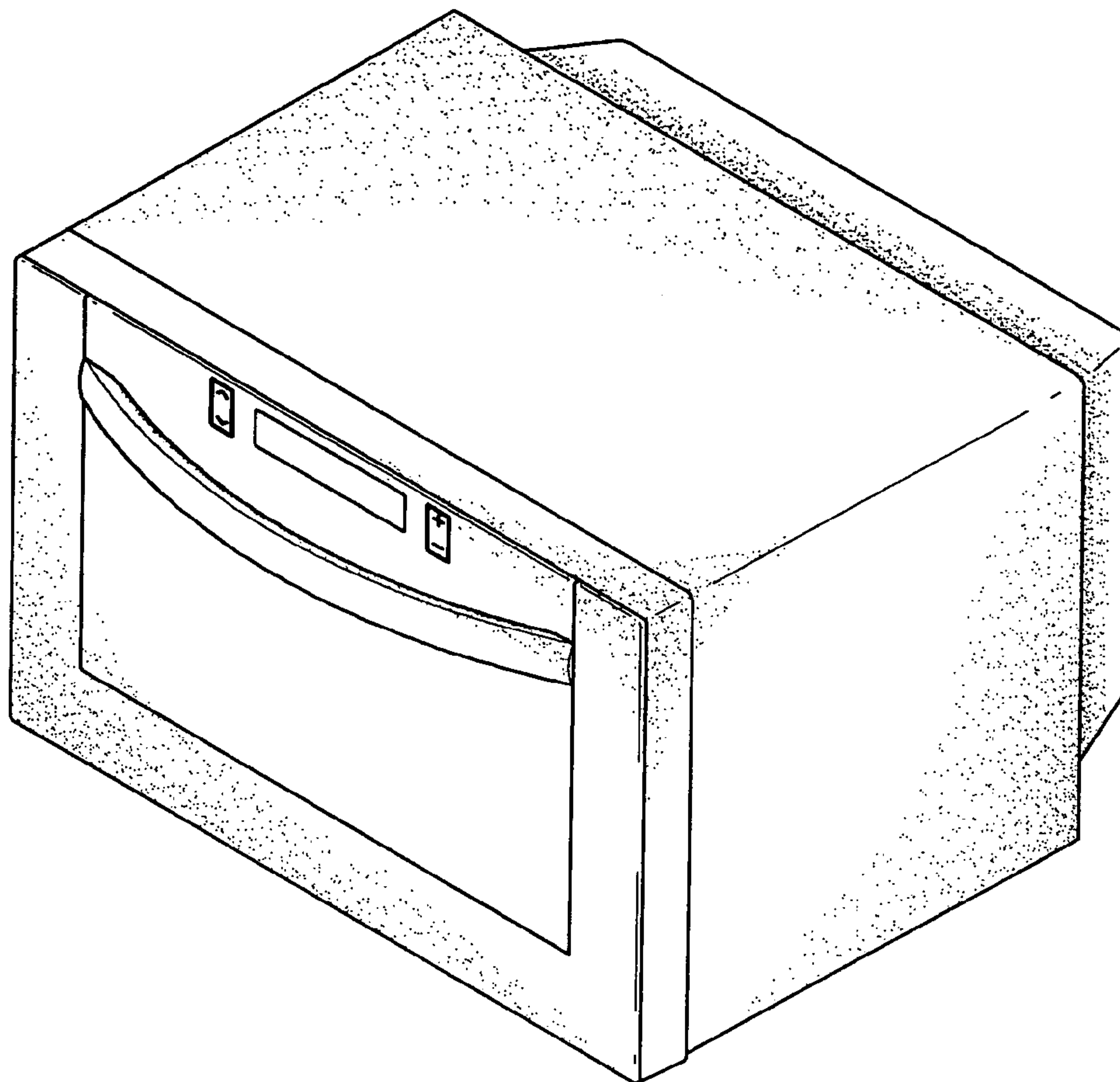


Fig. 1

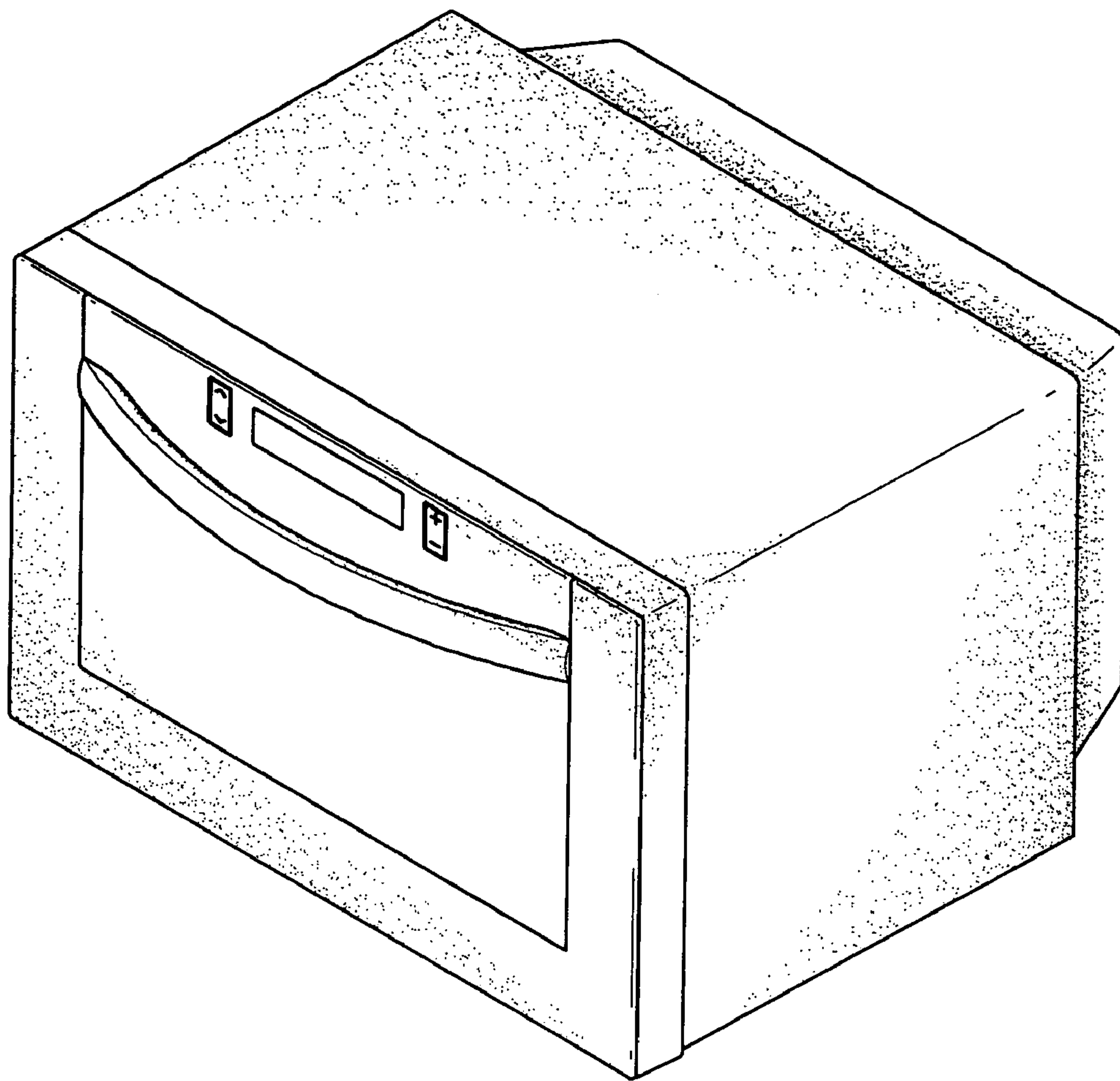


Fig. 2

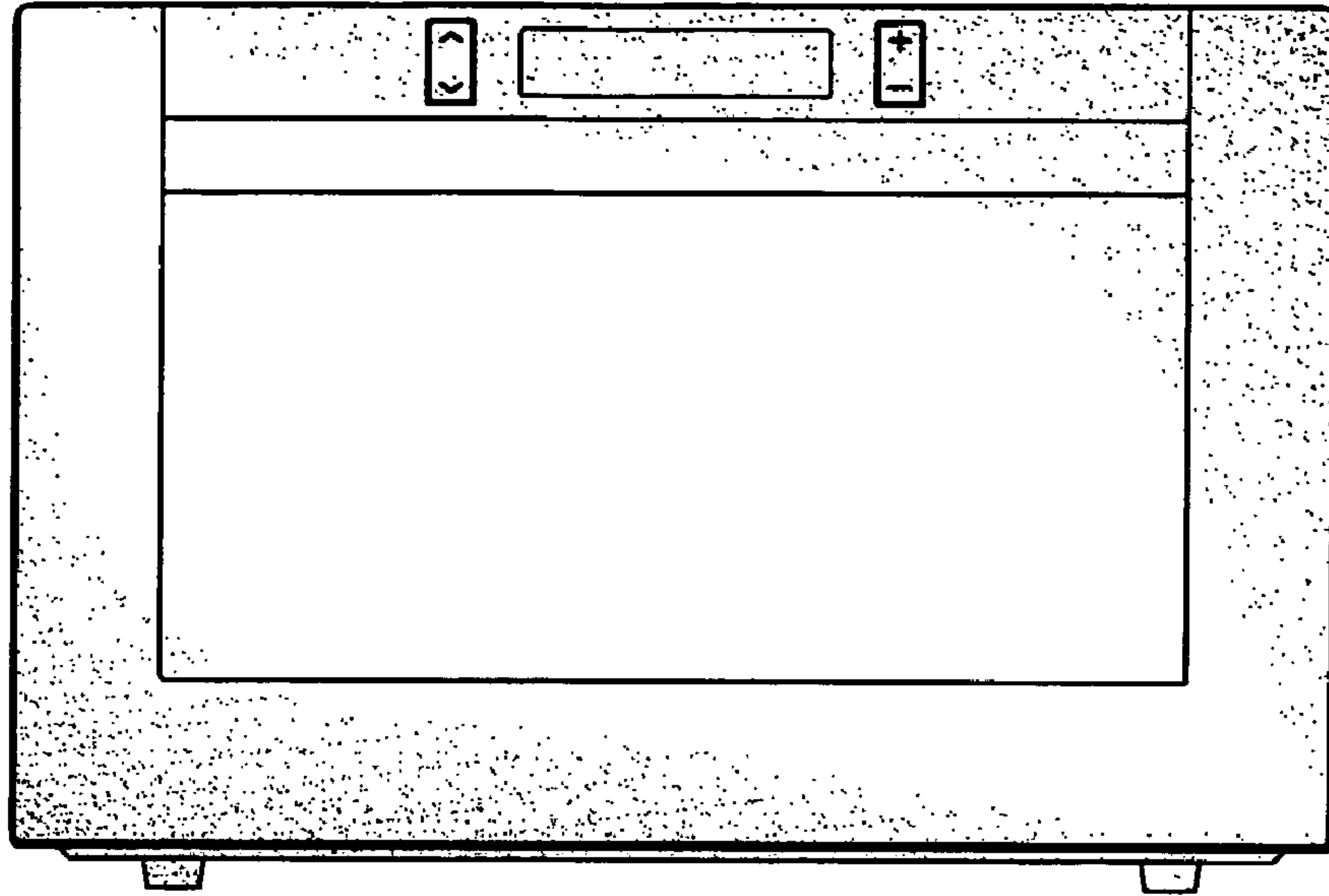


Fig. 3

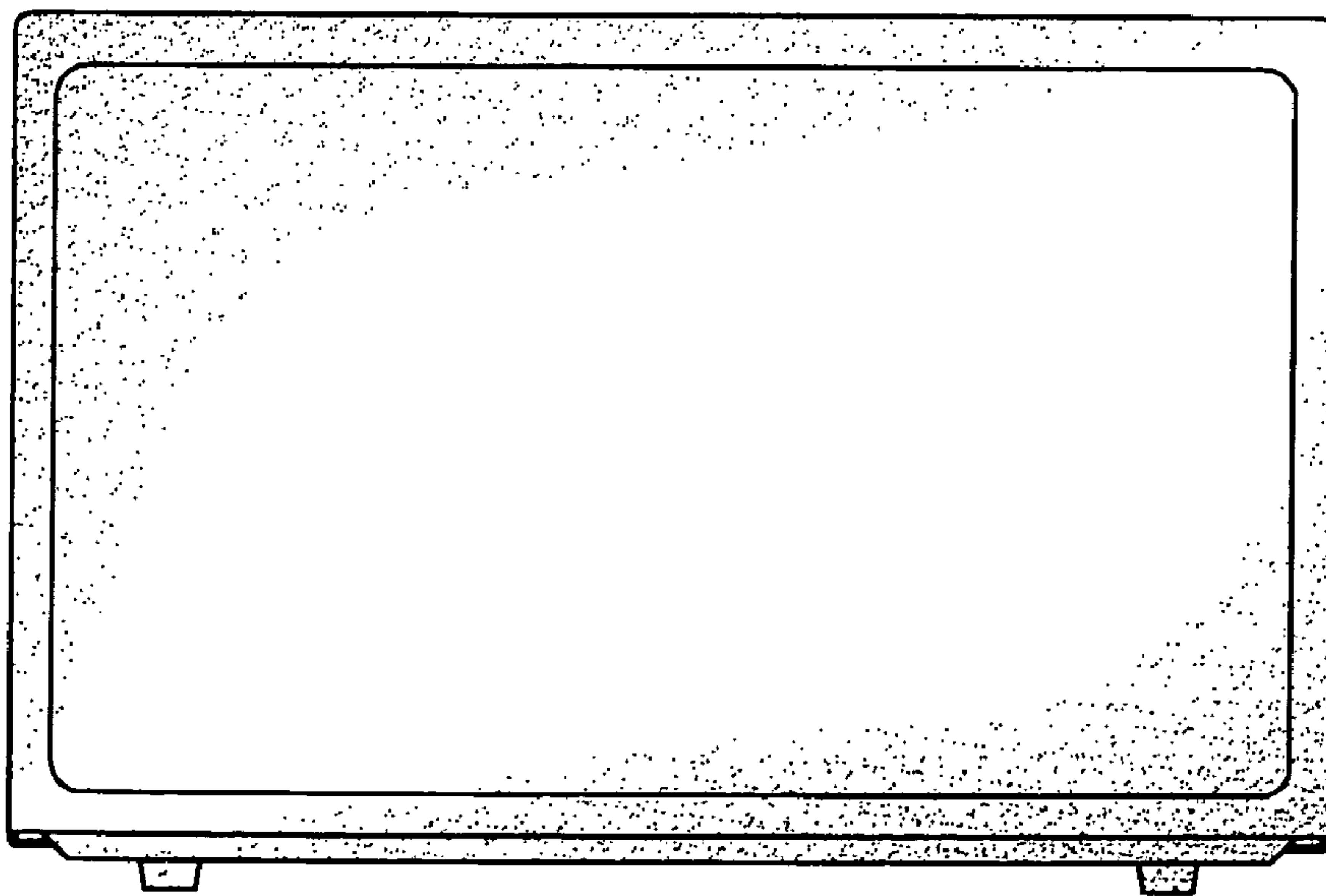


Fig. 4

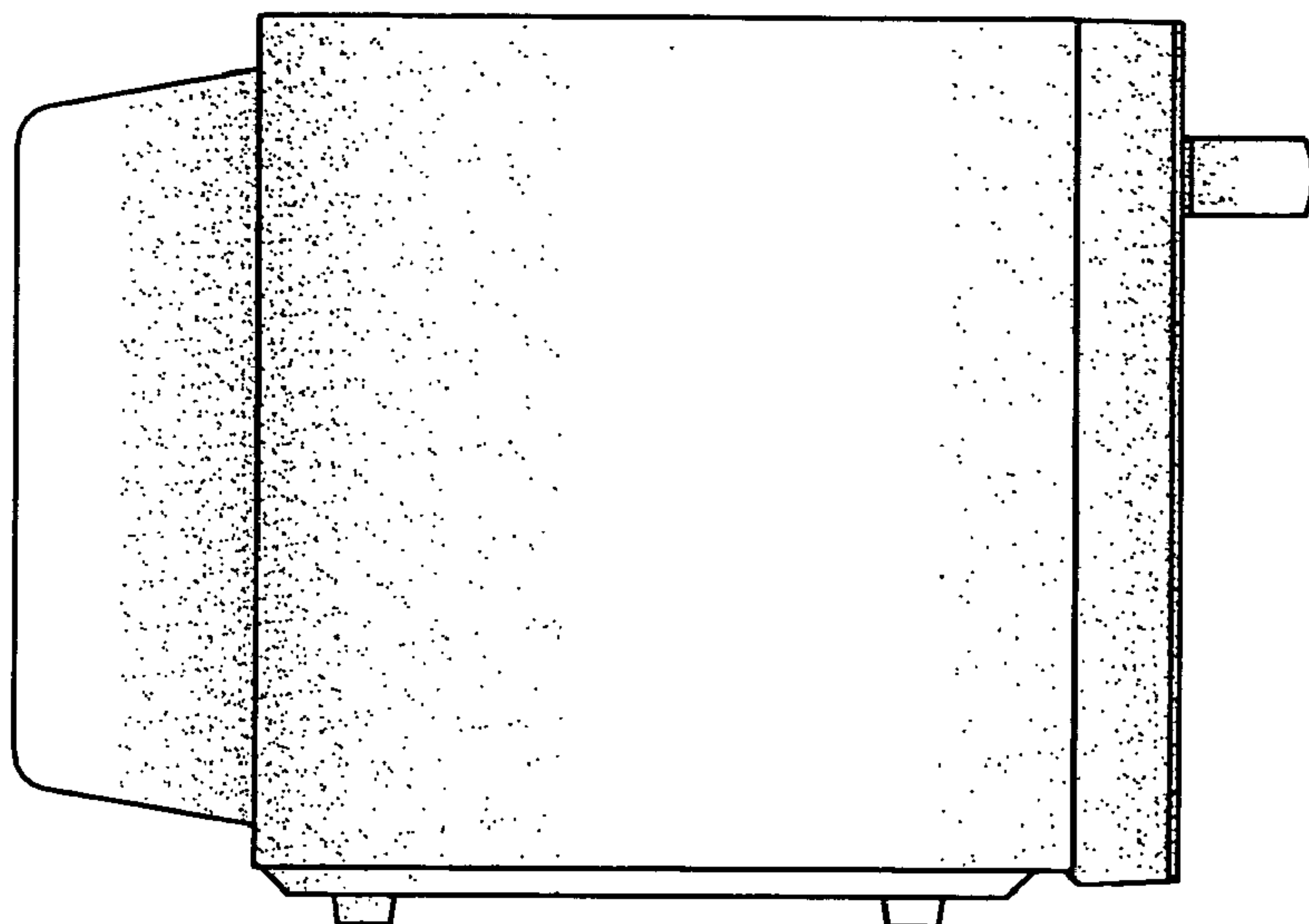


Fig. 5

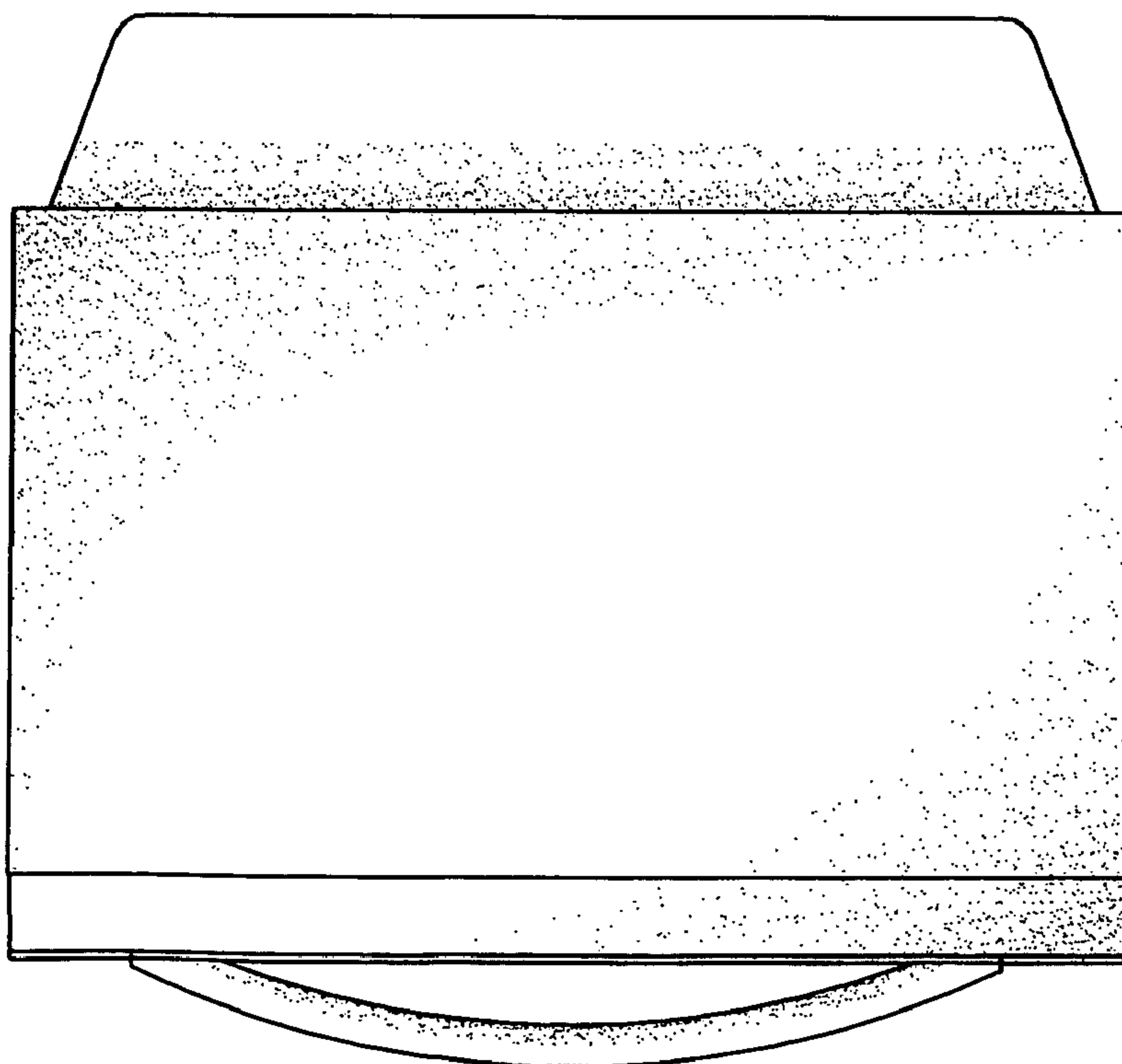


Fig. 6

