



US00D552916S

(12) **United States Design Patent**
Bodum

(10) **Patent No.:** **US D552,916 S**

(45) **Date of Patent:** **** Oct. 16, 2007**

(54) **PITCHER**

(75) Inventor: **Jorgen Bodum**, St. Niklausen (CH)

(73) Assignee: **Pi-Design AG**, Triengen (CH)

(**) Term: **14 Years**

(21) Appl. No.: **29/263,647**

(22) Filed: **Jul. 27, 2006**

(30) **Foreign Application Priority Data**

Jan. 27, 2006 (DK) DA 2006 00030

(51) **LOC (8) Cl.** **07-01**

(52) **U.S. Cl.** **D7/318; D7/316**

(58) **Field of Classification Search** D7/300,
D7/316-317, 321, 311; 99/323.3, 307, 285;
215/12.1, 13.1; 222/505, 131, 470, 144.5,
222/566, 567, 25, 23, 188, 472, 465.1; 220/4.01,
220/504, 555, 696, 695; 210/85, 121, 282,
210/232; D23/209; 62/457.3, 457.2; 206/459.5;
248/111; D10/46.3; D32/53.1, 53

See application file for complete search history.

(56) **References Cited**

U.S. PATENT DOCUMENTS

D72,498 S * 4/1927 Scavullo D7/319
D152,159 S * 12/1948 Kemper D7/319
D157,411 S * 2/1950 Parentice D7/303
D163,849 S * 7/1951 Burroughs D7/319
D164,344 S * 8/1951 Wright D7/319
2,803,375 A * 8/1957 Meshberg 206/515
D183,897 S * 11/1958 Ostrowsky D7/319
D190,594 S * 6/1961 Hutzler D7/319
D191,623 S * 10/1961 Bloch D7/318
D192,934 S * 5/1962 Bloch D7/318
3,120,912 A * 2/1964 Mount et al. 222/567
D215,749 S * 10/1969 Adler D7/317

3,817,430 A * 6/1974 Borin 222/494
3,861,565 A * 1/1975 Rickmeier, Jr. 222/131
D255,206 S * 6/1980 Darnell D7/319
D284,344 S * 6/1986 Gecchelin D7/318
4,655,373 A * 4/1987 Essen 222/465.1
D293,871 S * 1/1988 Turner et al. D7/318
D343,546 S * 1/1994 Zimmerman D7/319
5,487,486 A * 1/1996 Meneo 220/504
D398,474 S * 9/1998 Wagner D7/305
6,138,963 A * 10/2000 Malvasio 248/111
D440,459 S * 4/2001 Durbin et al. D7/318
D479,090 S * 9/2003 Backes et al. D7/318
D480,904 S * 10/2003 Backes et al. D7/318
D514,868 S * 2/2006 Achenbach et al. D7/318
7,028,505 B2 * 4/2006 Cardinale 62/372

* cited by examiner

Primary Examiner—M. N. Pandozzi

(74) *Attorney, Agent, or Firm*—Cowan, Liebowitz & Latman PC

(57) **CLAIM**

The ornamental design for a pitcher, as shown and described.

DESCRIPTION

FIG. 1 is a perspective view of the pitcher showing my design thereof;

FIG. 2 is a front view thereof;

FIG. 3 is a back view thereof;

FIG. 4 is a right side view thereof;

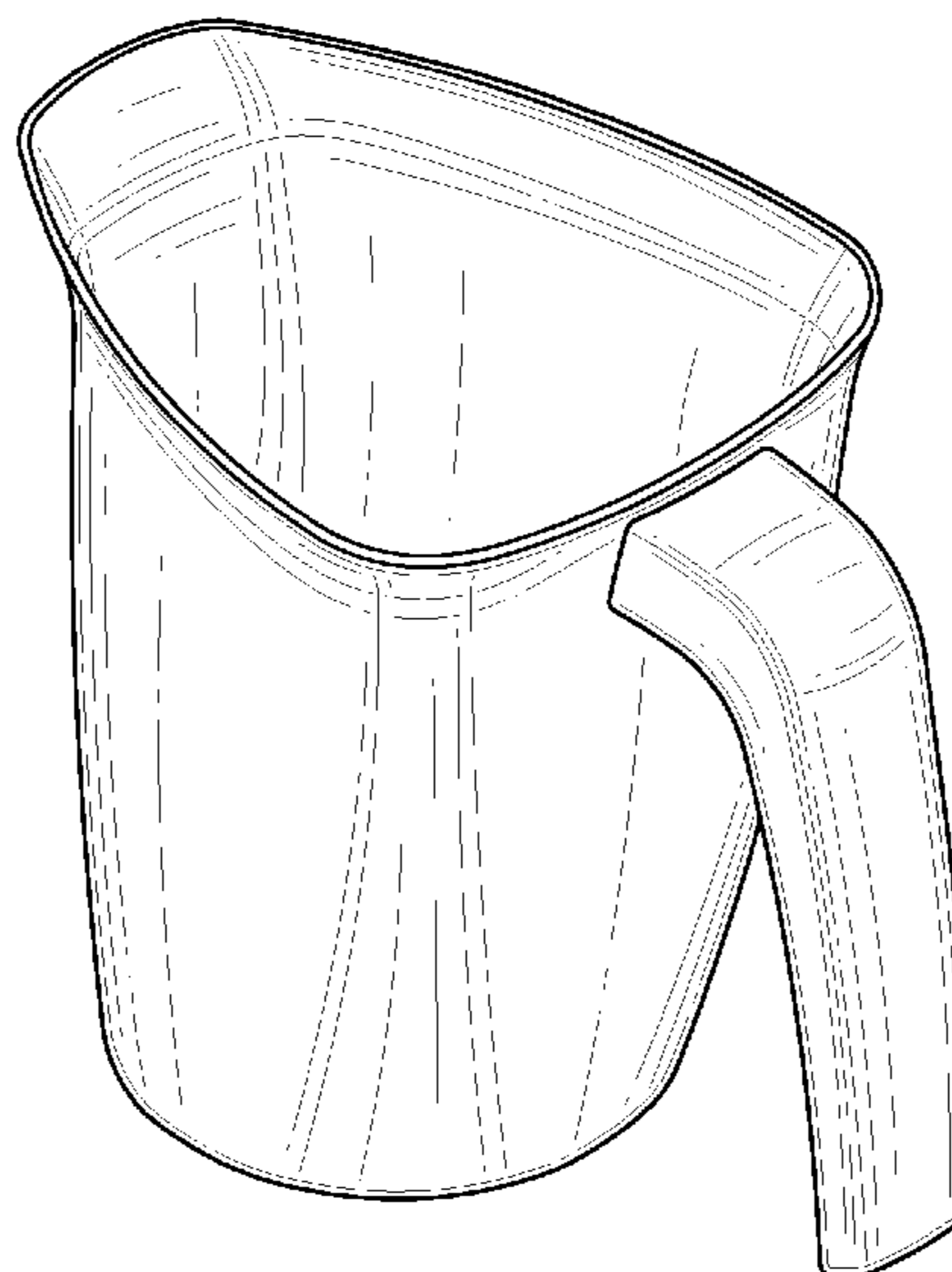
FIG. 5 is a left side view thereof;

FIG. 6 is a top view thereof;

FIG. 7 is a bottom view thereof; and,

FIG. 8 is a sectional view taken along line 8—8 of FIG. 6.

1 Claim, 8 Drawing Sheets



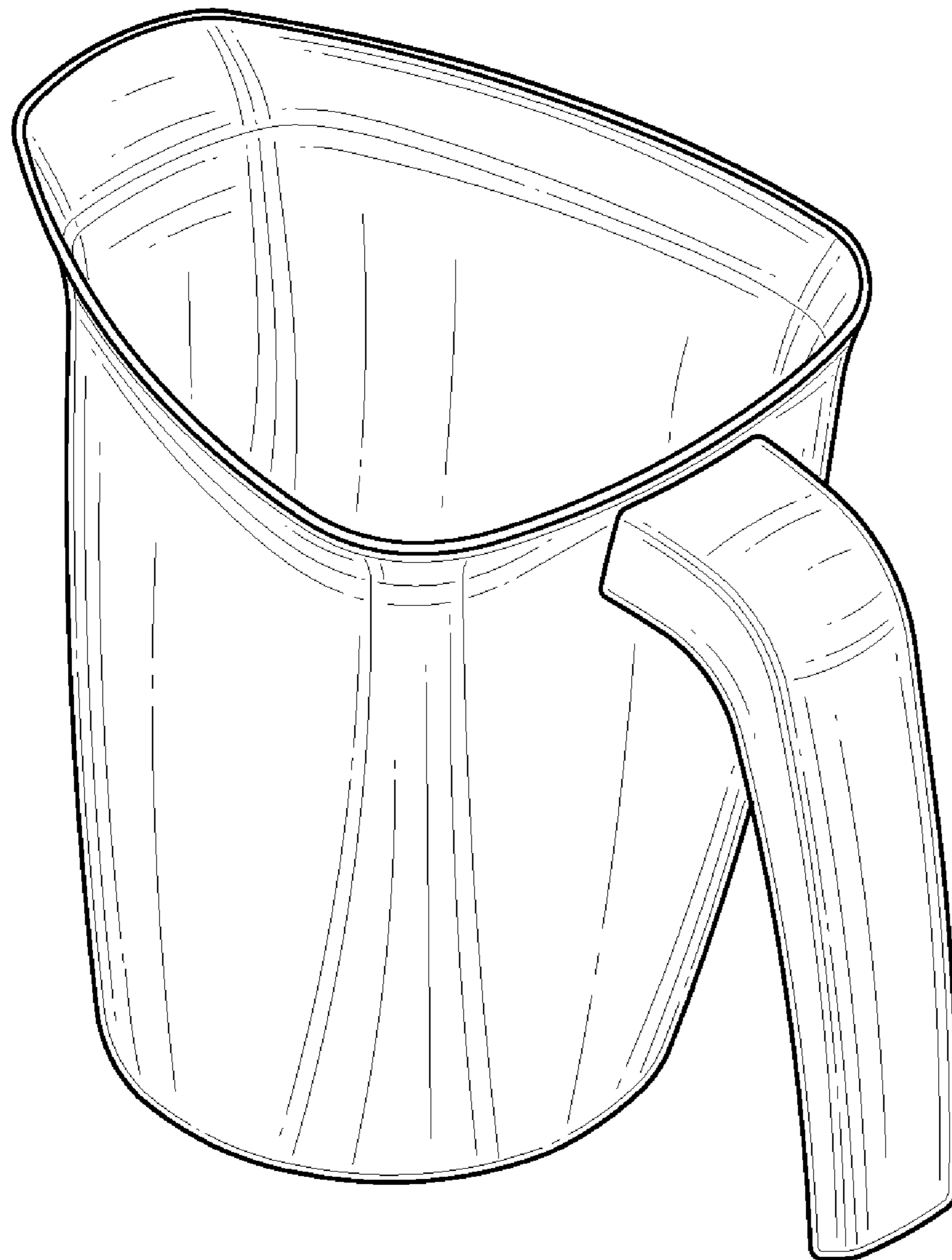


FIG. 1

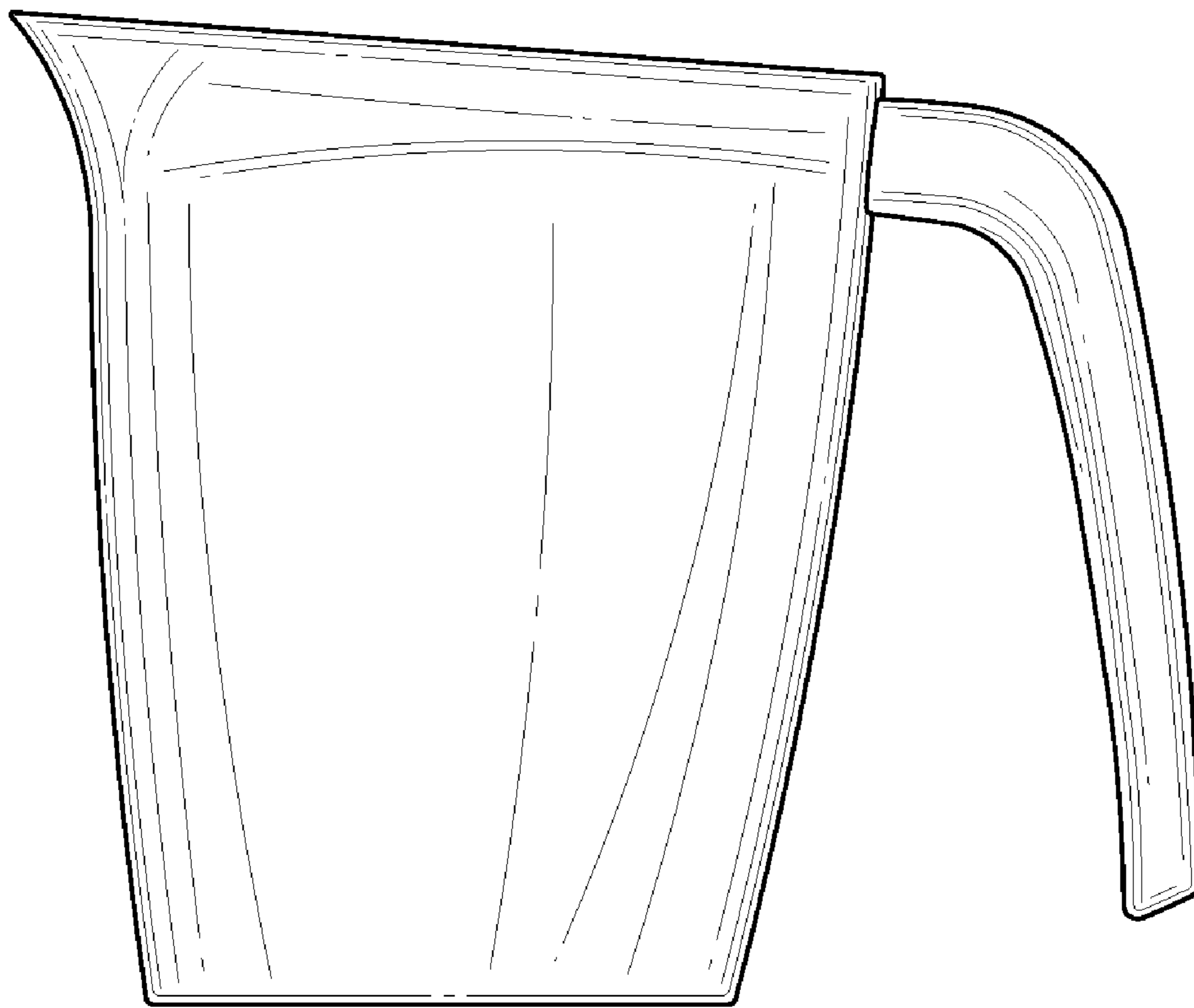


FIG. 2

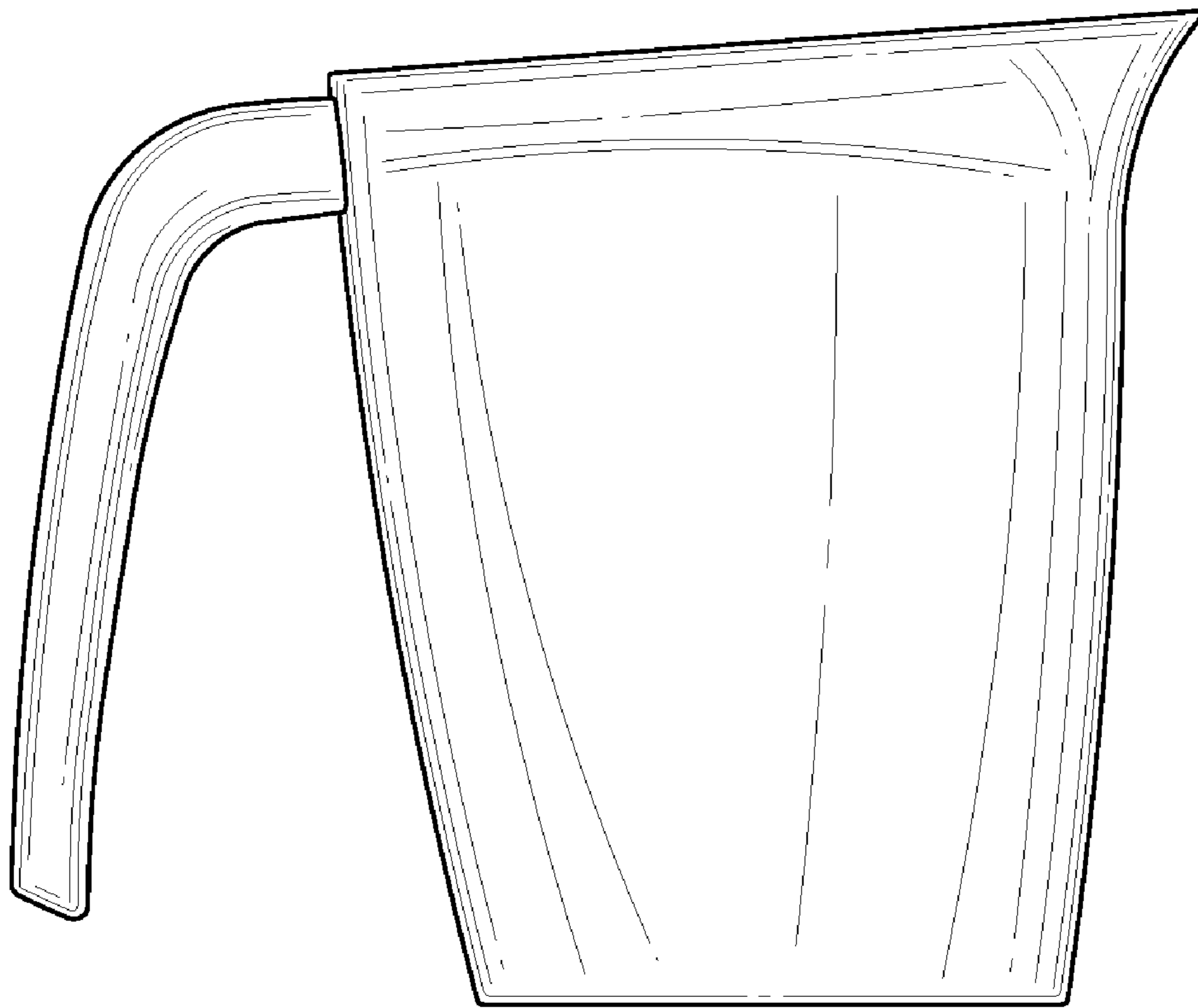


FIG. 3

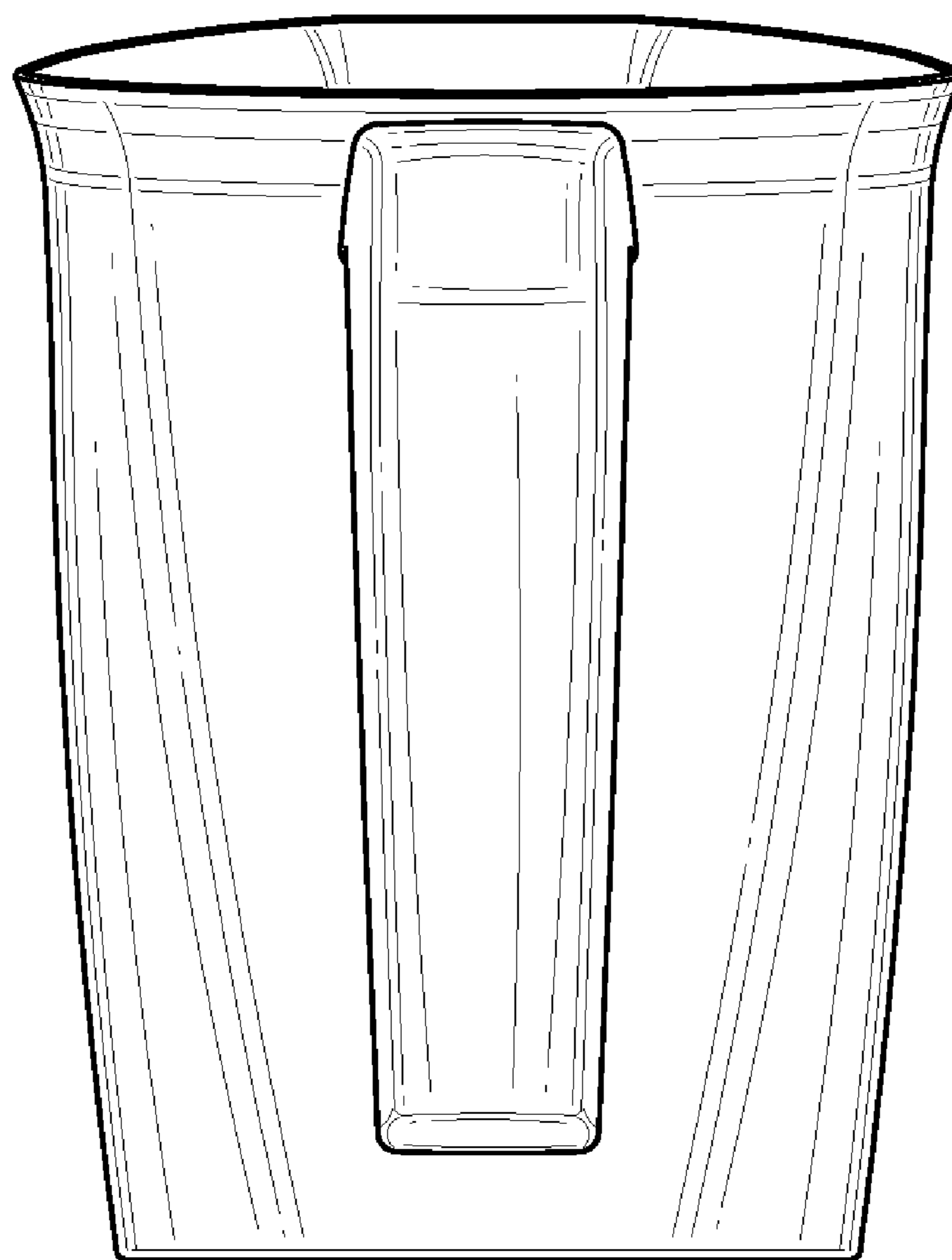


FIG. 4

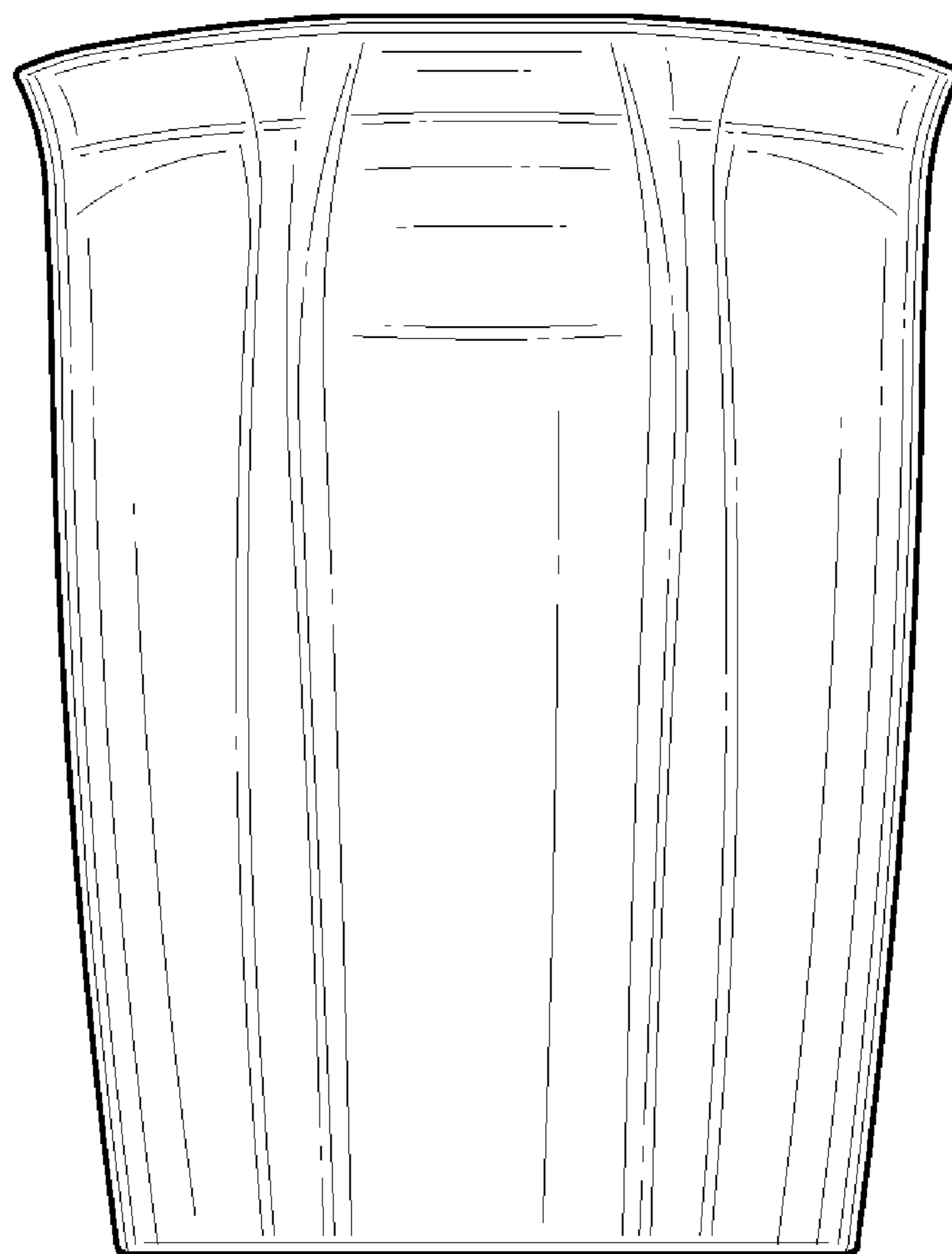


FIG. 5

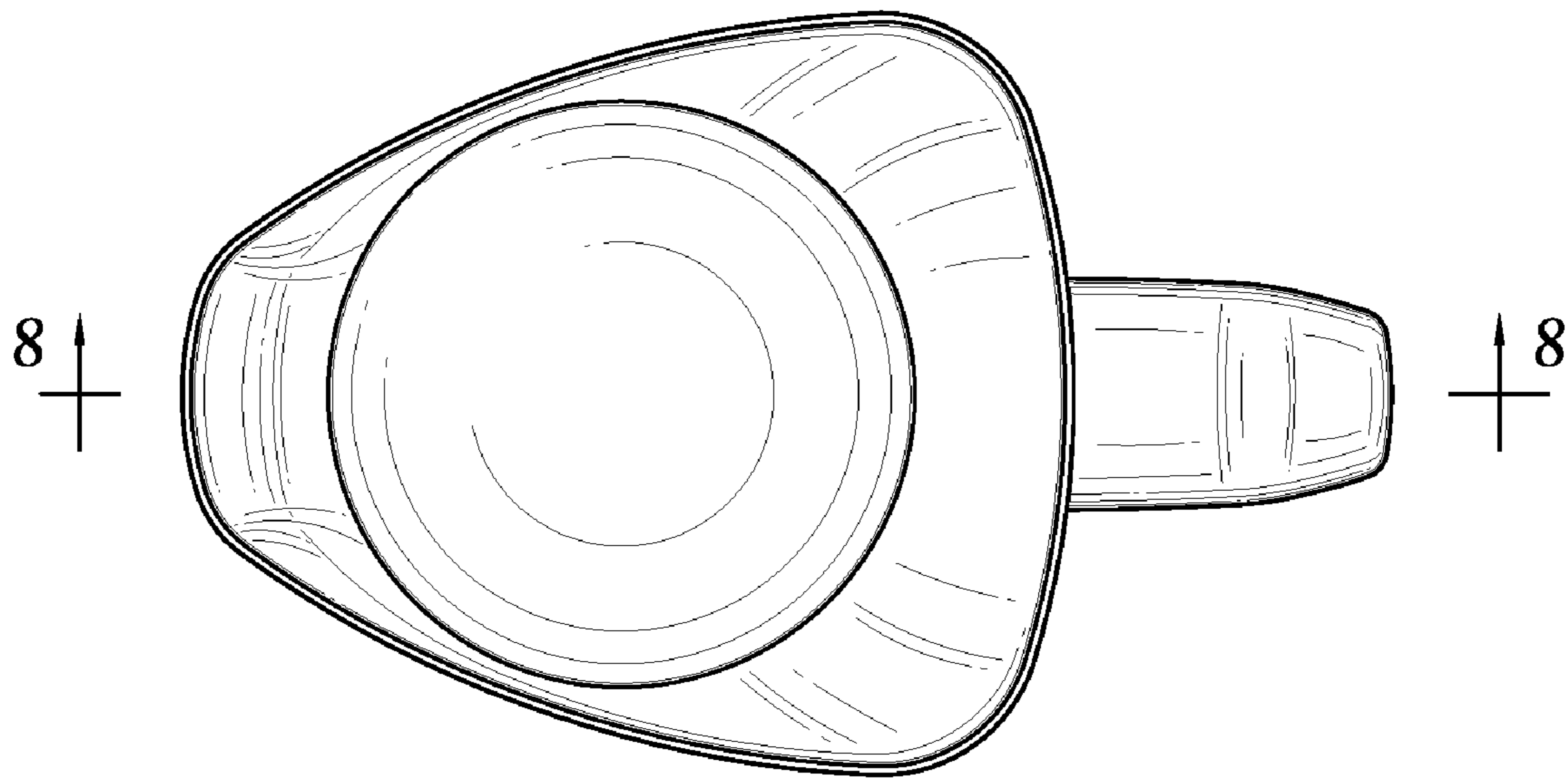


FIG. 6

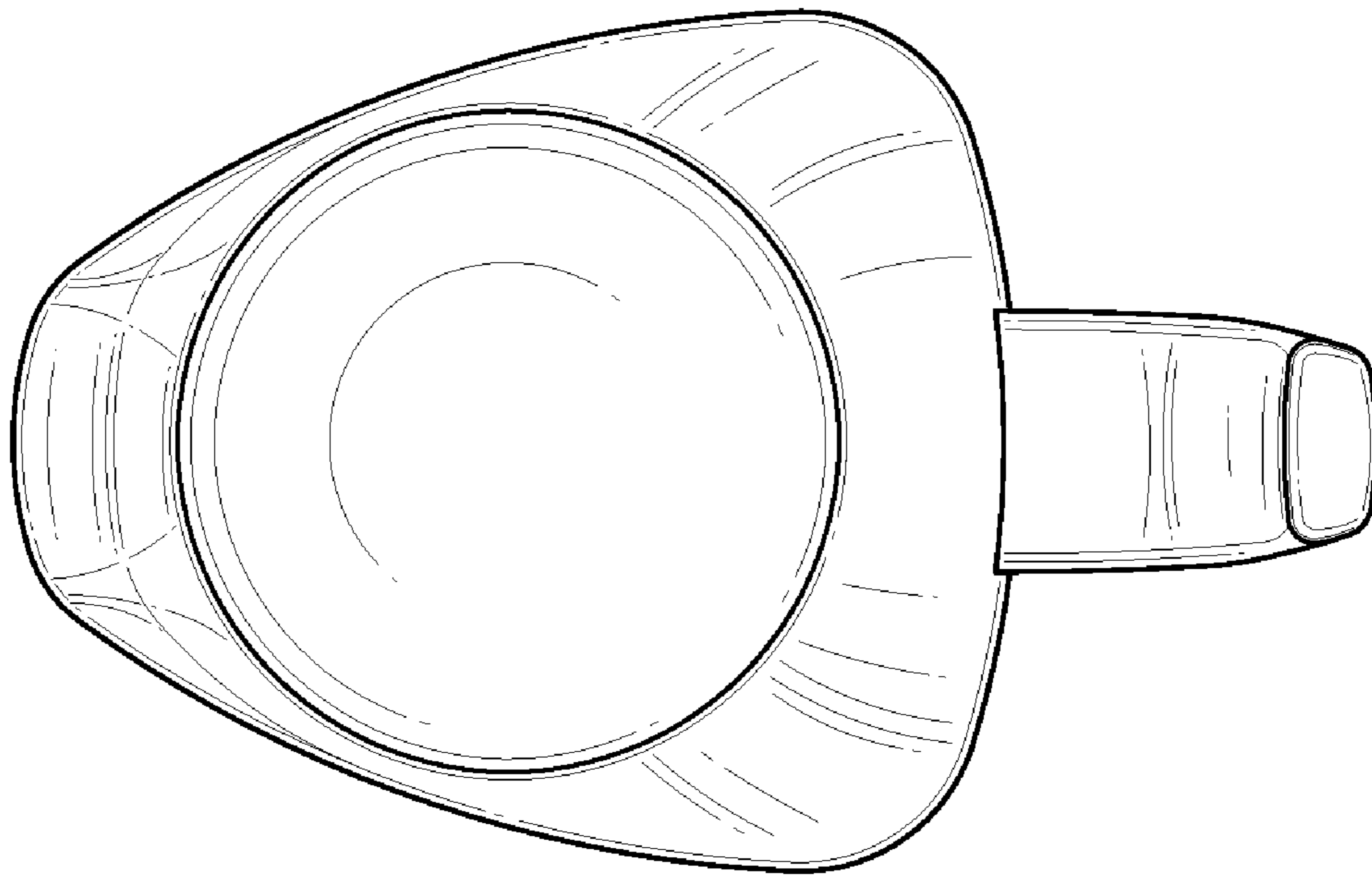


FIG. 7

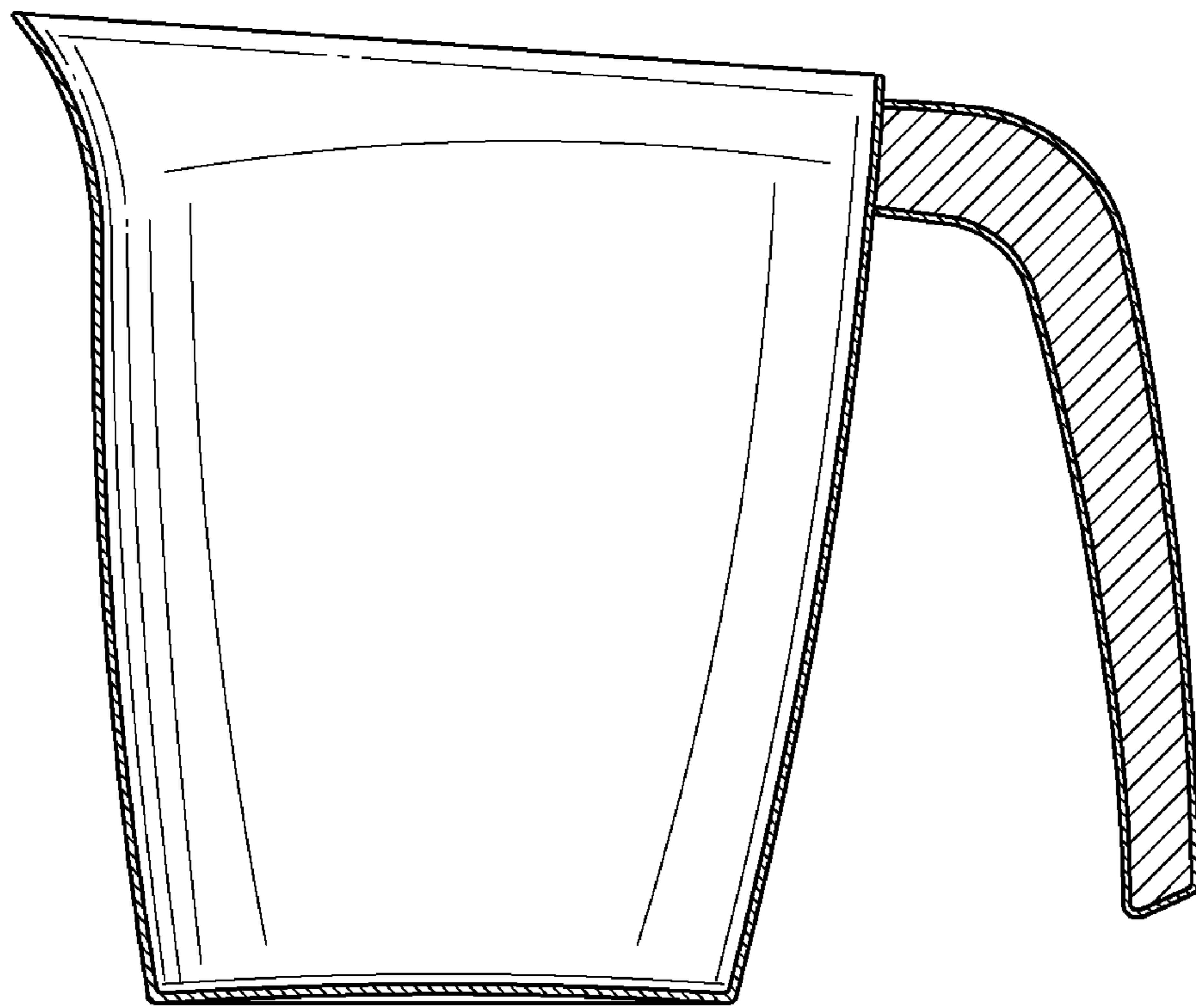


FIG. 8