



US00D552915S

(12) **United States Design Patent**
Yeh

(10) **Patent No.:** **US D552,915 S**

(45) **Date of Patent:** **** Oct. 16, 2007**

(54) **COFFEE MAKER**

(75) Inventor: **Chun-liang Yeh**, Tainan (TW)

(73) Assignee: **Shing Lung Co., Ltd.**, Tainan (TW)

(**) Term: **14 Years**

(21) Appl. No.: **29/254,193**

(22) Filed: **Feb. 21, 2006**

(51) **LOC (8) Cl.** **07-01**

(52) **U.S. Cl.** **D7/309; D7/311**

(58) **Field of Classification Search** D7/309-311,
D7/306-308, 300; 222/129.1, 129.2, 129.3,
222/129.4, 145.5; 99/300, 306, 307, 280,
99/283, 295

See application file for complete search history.

(56) **References Cited**

U.S. PATENT DOCUMENTS

D411,403 S * 6/1999 Gudfin D7/309
D502,042 S * 2/2005 Lin D7/309
D502,354 S * 3/2005 Bruttin D7/309

D522,792 S * 6/2006 Koitzsch et al. D7/309
D522,793 S * 6/2006 Weaden D7/309

* cited by examiner

Primary Examiner—M. N. Pandozzi

(74) *Attorney, Agent, or Firm*—Rosenberg, Klein & Lee

(57) **CLAIM**

I claim, the ornamental design for a coffee maker, as shown and described.

DESCRIPTION

FIG. 1 is a perspective view of a coffee maker showing my present design;

FIG. 2 is a front view thereof;

FIG. 3 is a rear view thereof;

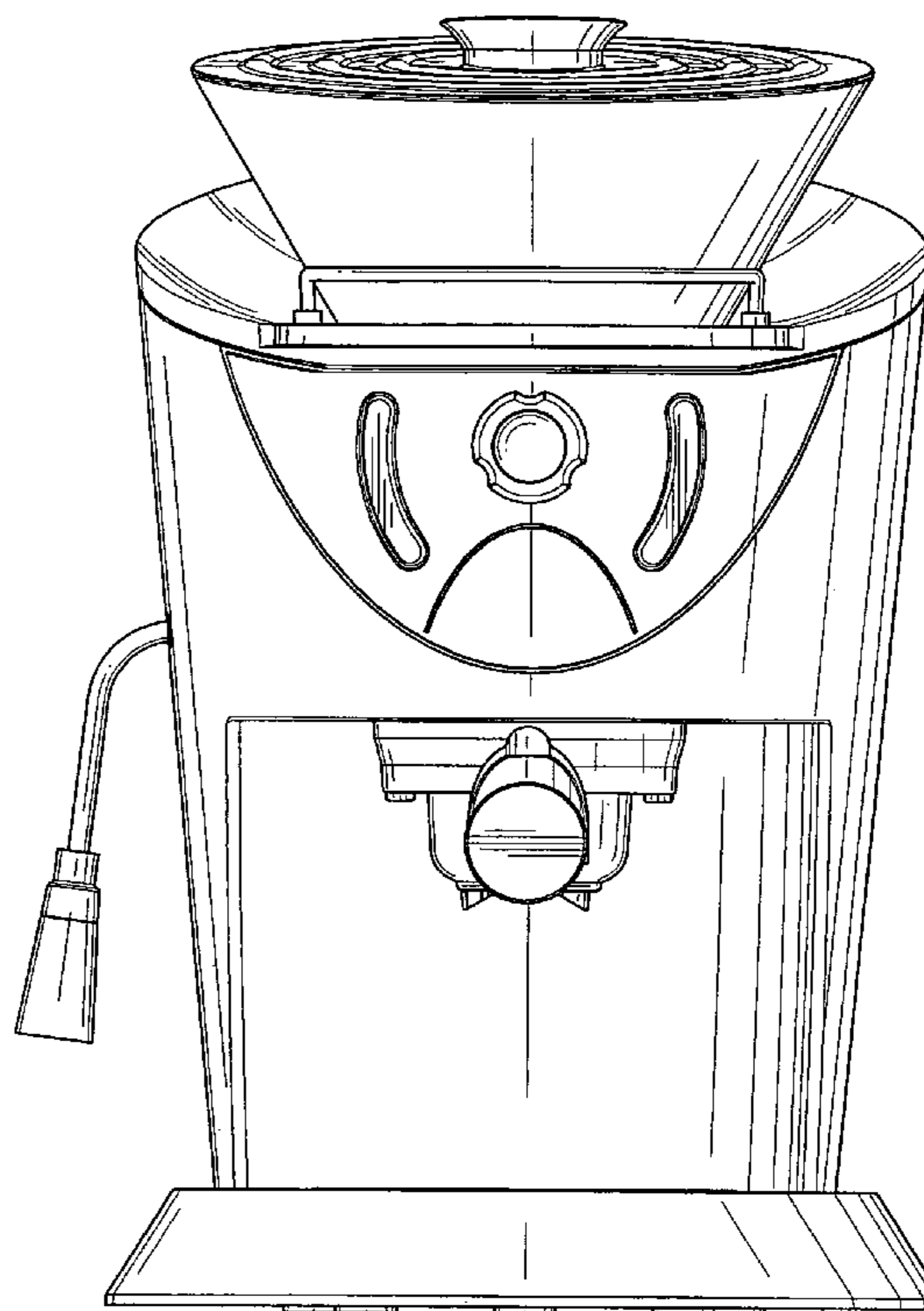
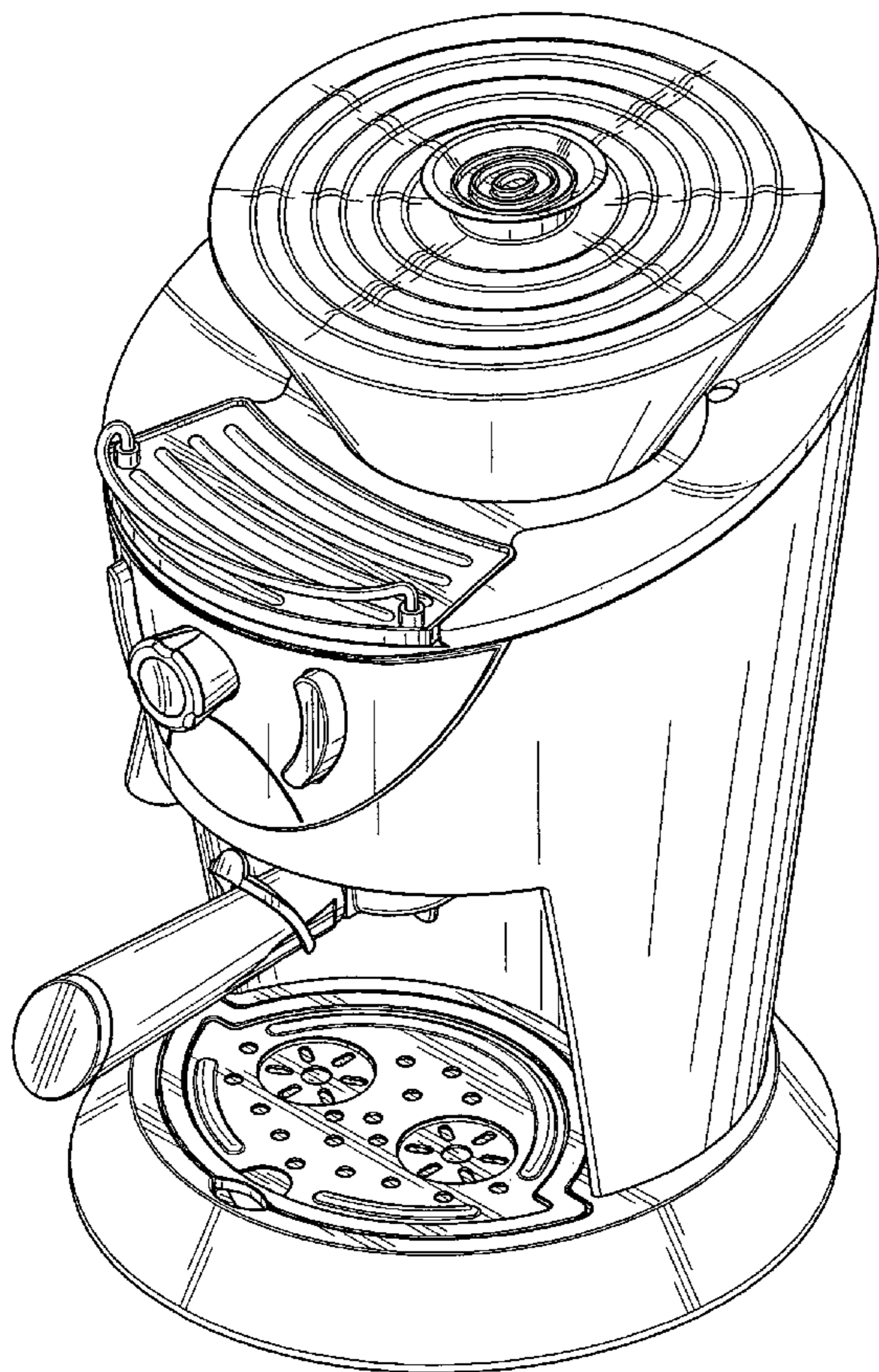
FIG. 4 is a left view thereof;

FIG. 5 is a right view thereof;

FIG. 6 is a top plan view thereof; and,

FIG. 7 is a bottom plan view.

1 Claim, 7 Drawing Sheets



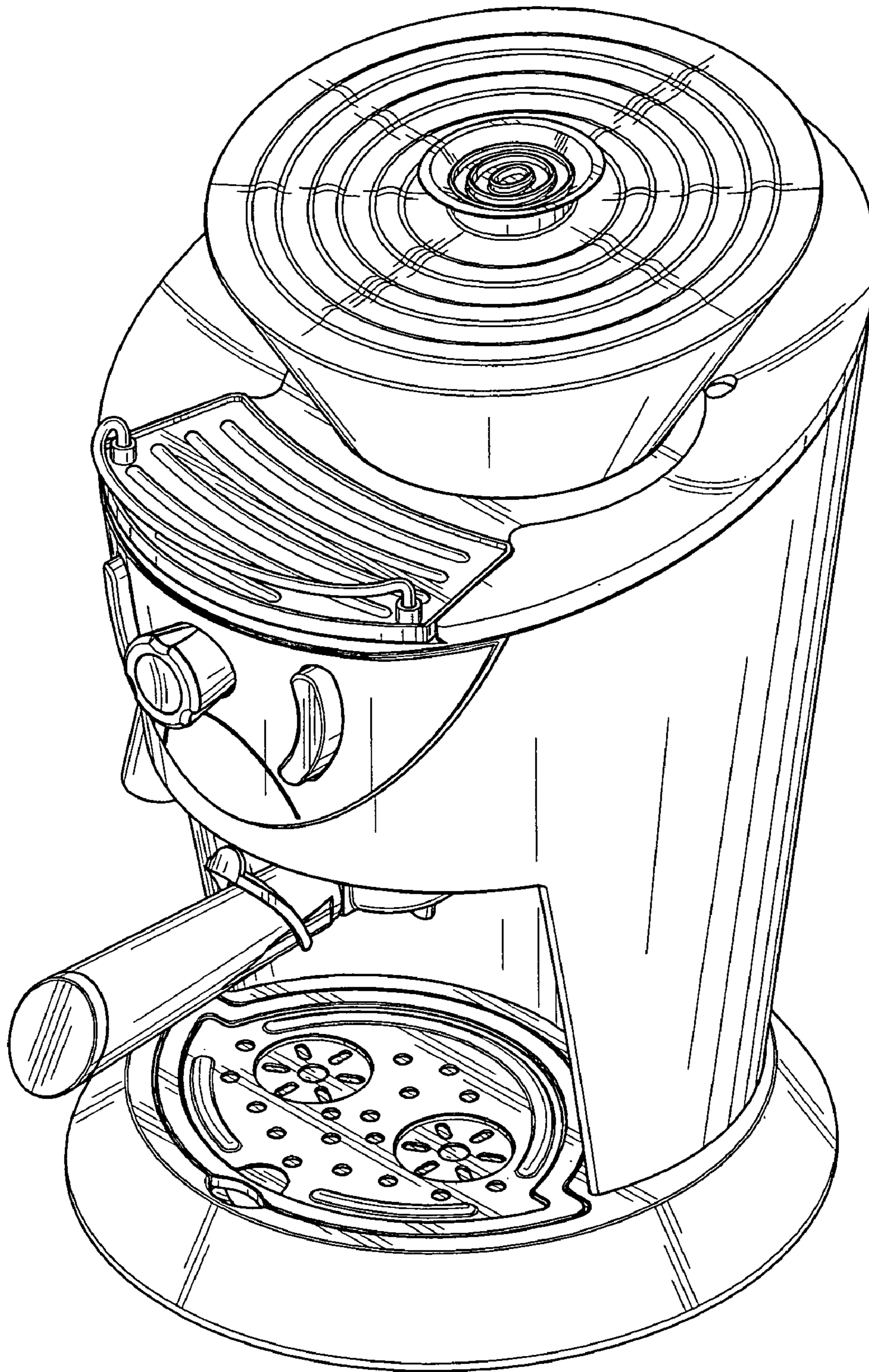


FIG. 1

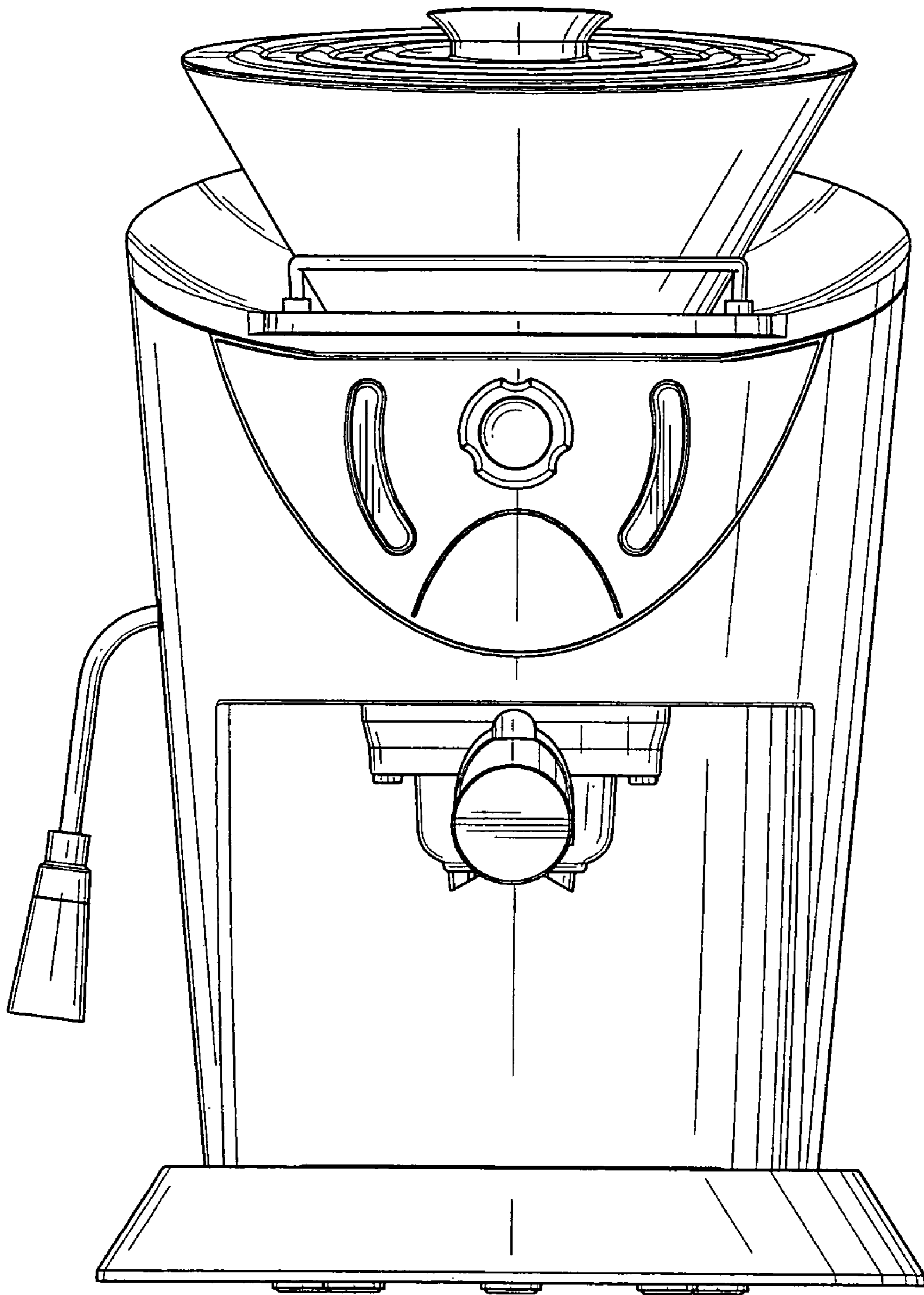


FIG. 2

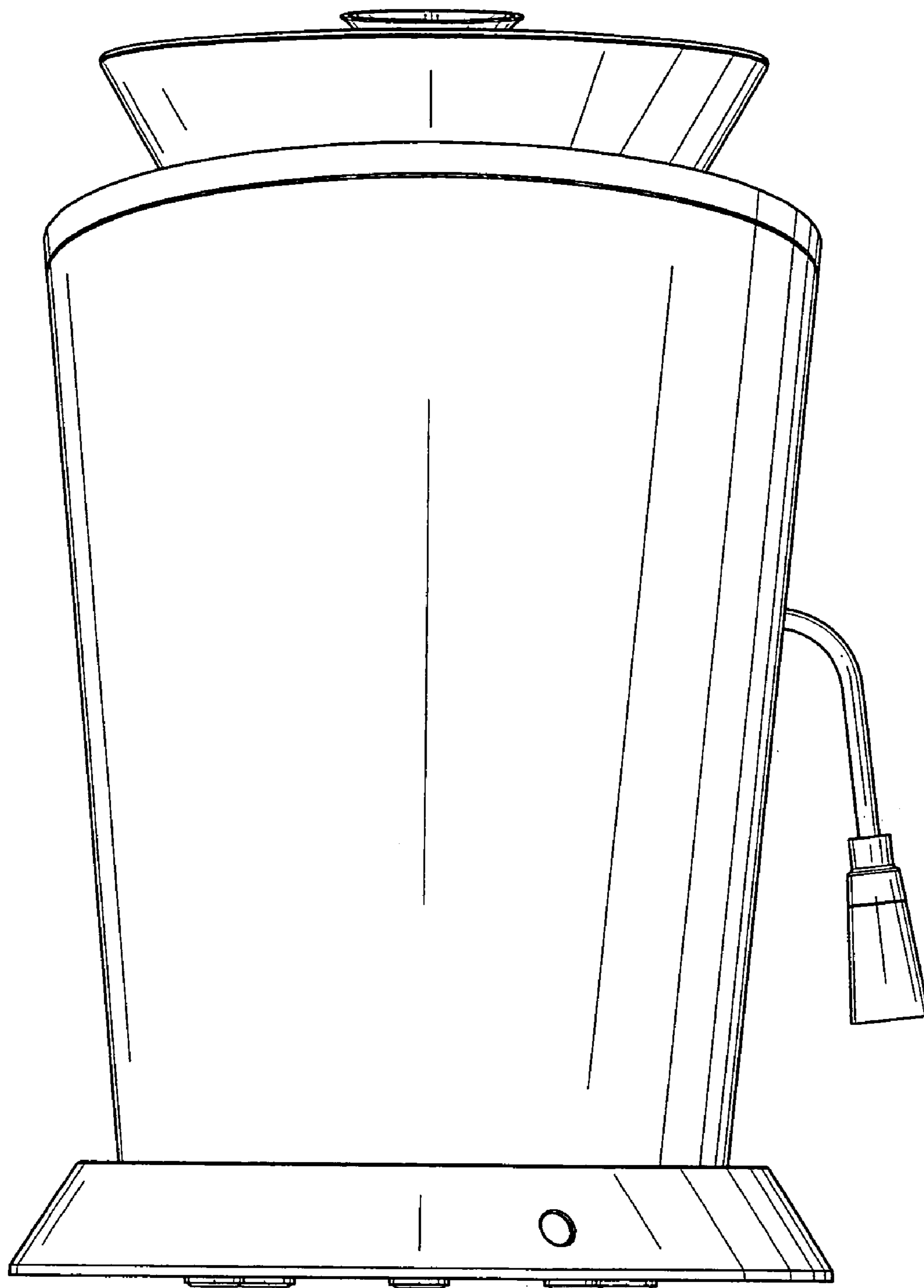


FIG. 3

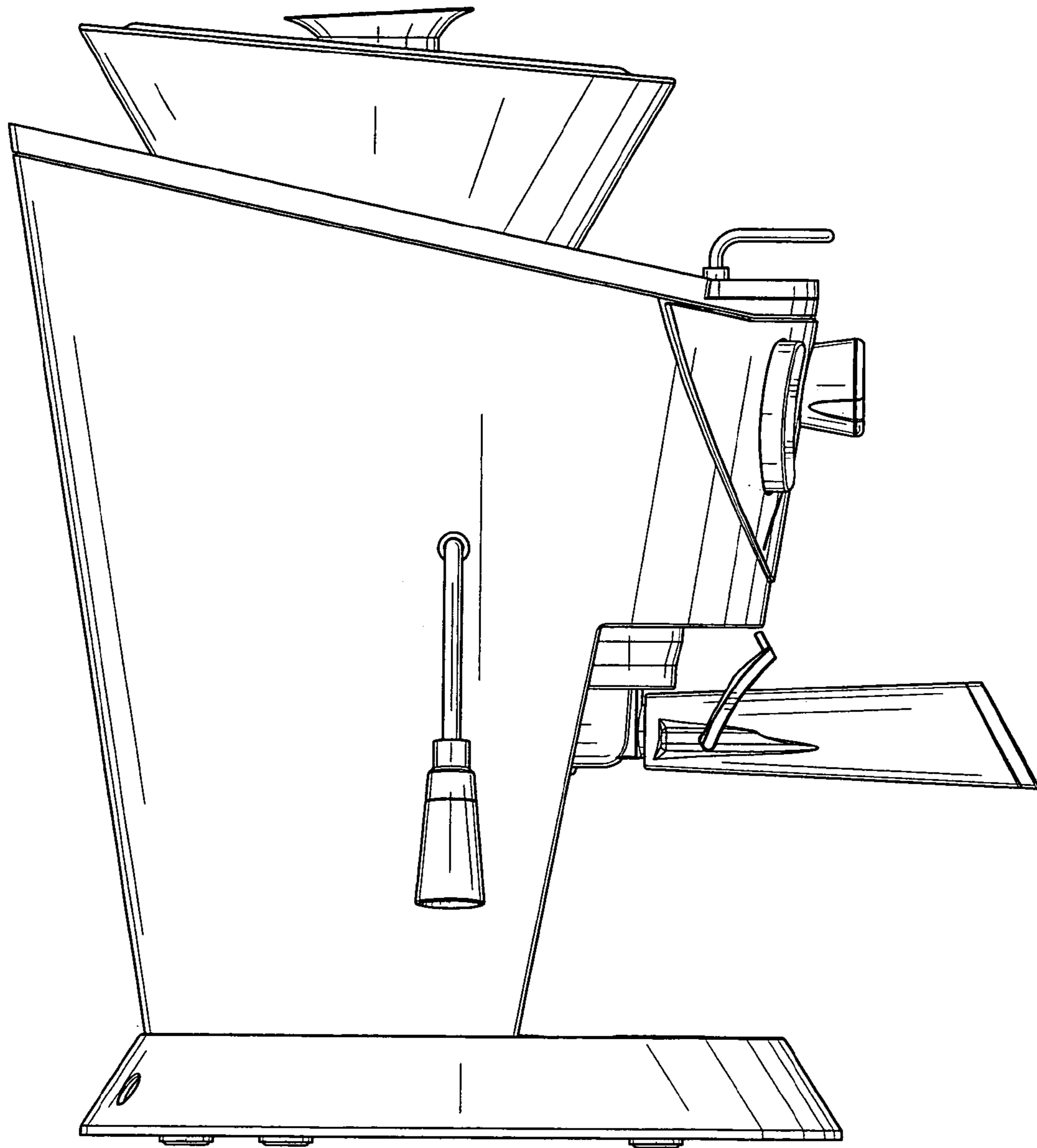


FIG. 4

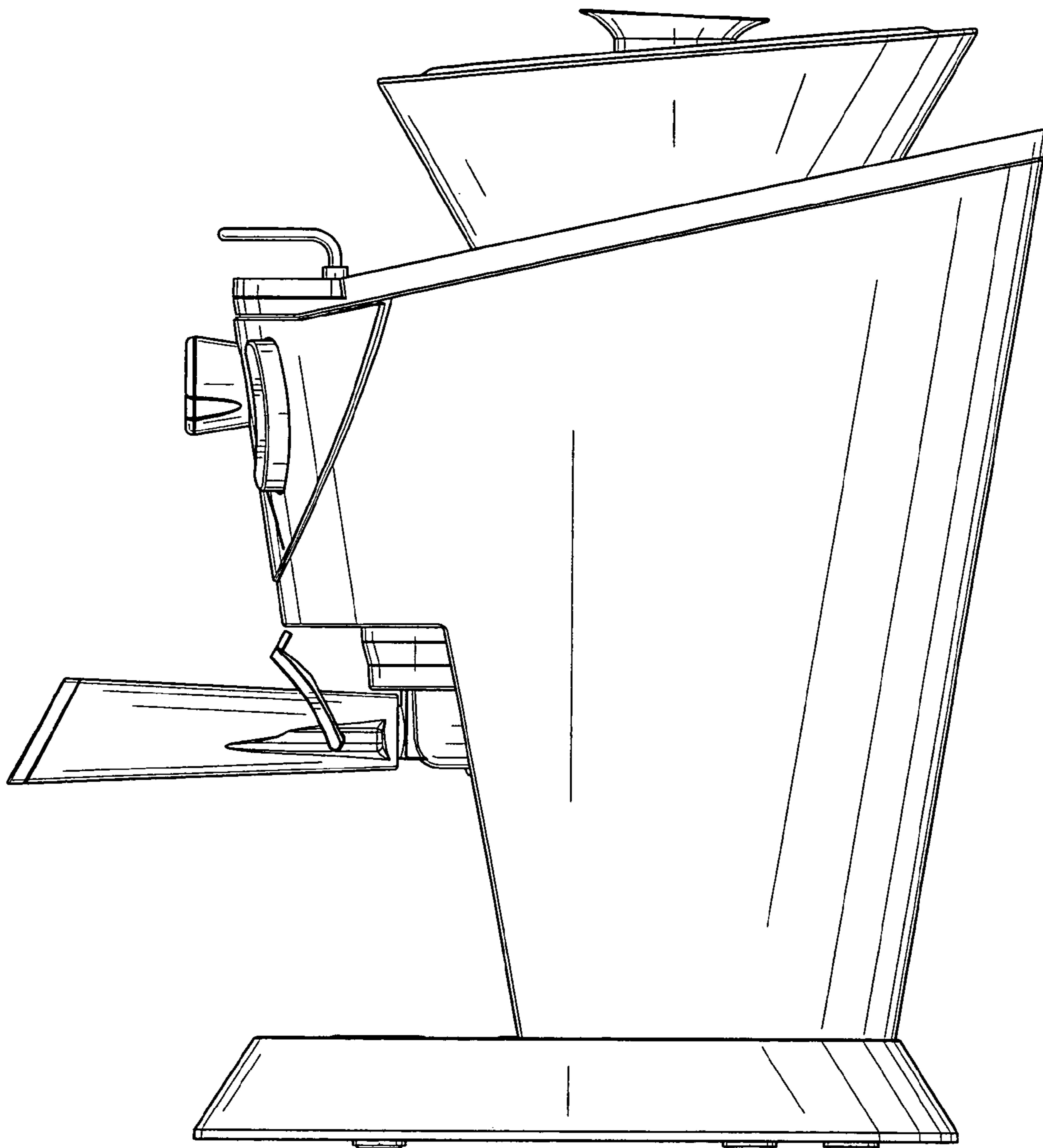


FIG. 5

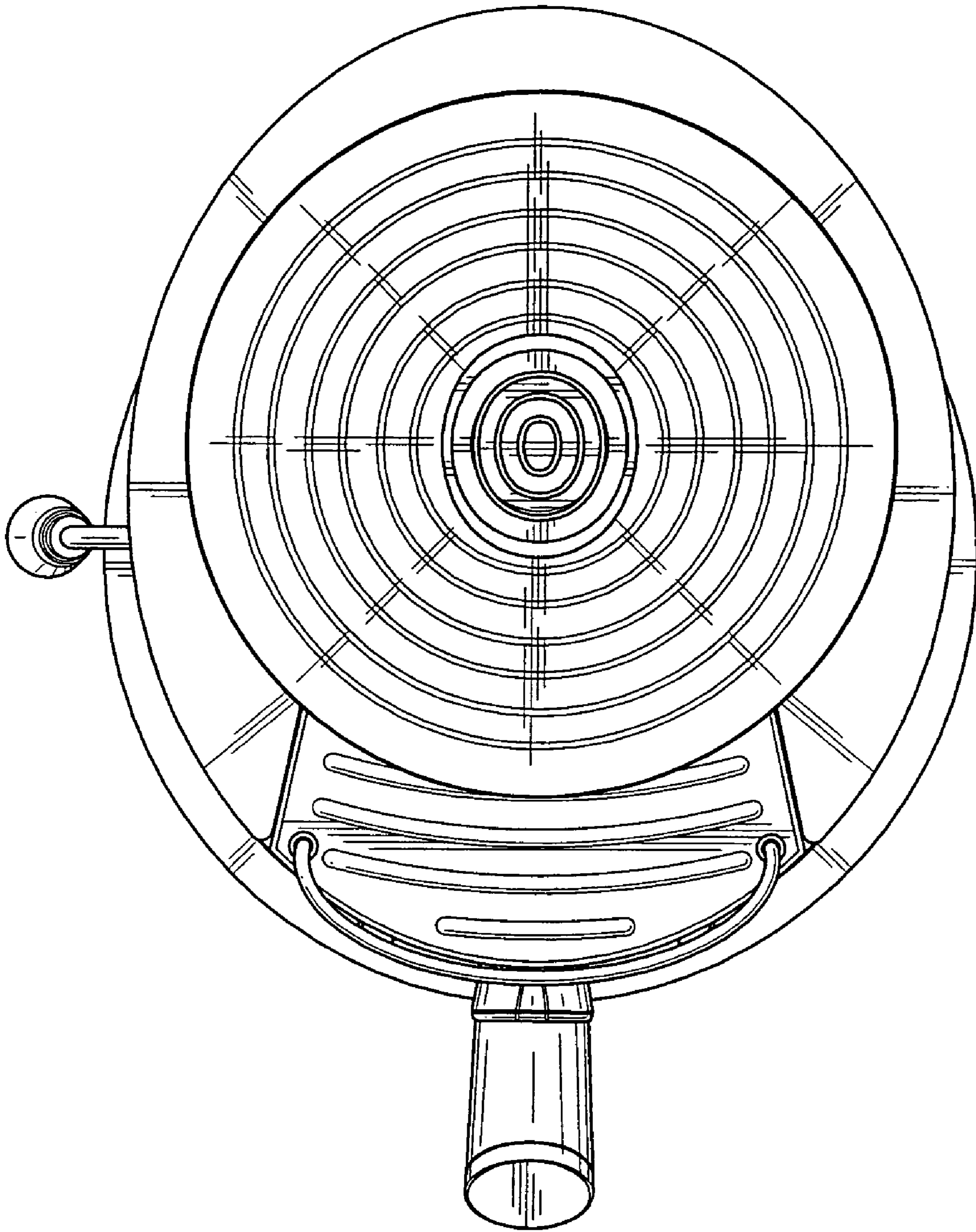


FIG. 6

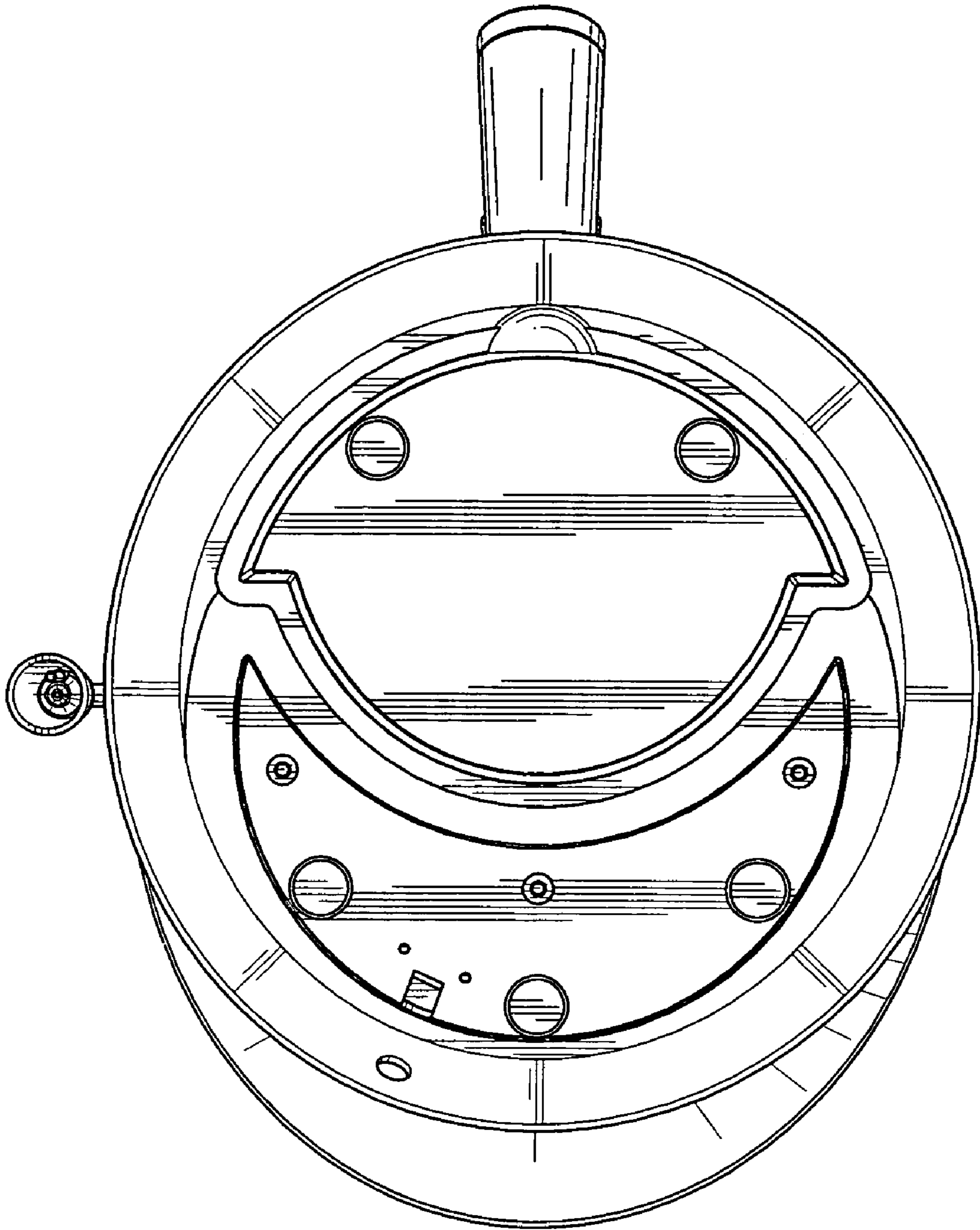


FIG. 7