



US00D552908S

(12) **United States Design Patent**  
**Cuzzocrea**

(10) **Patent No.:** **US D552,908 S**

(45) **Date of Patent:** **\*\* Oct. 16, 2007**

(54) **DECORATIVE PEG DISPLAY**

(76) Inventor: **Lawrence A. Cuzzocrea**, 3502 E. Vineyard Rd., Phoenix, AZ (US) 85042

(\*\*) Term: **14 Years**

(21) Appl. No.: **29/256,243**

(22) Filed: **Mar. 17, 2006**

(51) **LOC (8) Cl.** ..... **06-04**

(52) **U.S. Cl.** ..... **D6/566**

(58) **Field of Classification Search** ..... D6/553, D6/566, 570-572; 211/13.1, 32, 35, 41.4, 211/41.12, 86.01, 87.01, 90.03, 181.1; 248/200, 248/205.1, 220.21, 220.31  
See application file for complete search history.

(56) **References Cited**

**U.S. PATENT DOCUMENTS**

D313,916 S *	1/1991	Ballard	.....	D6/572
D392,140 S *	3/1998	Goodman	.....	D6/553
D418,349 S *	1/2000	Schumacher	.....	D6/566
D468,572 S *	1/2003	Battaglia	.....	D6/566
D493,660 S *	8/2004	Goodman et al.	.....	D6/566

\* cited by examiner

*Primary Examiner*—Brian N Vinson

(74) *Attorney, Agent, or Firm*—Stoneman Volk Patent Group; Martin L. Stoneman; Michael D. Volk, Jr.

(57) **CLAIM**

The ornamental design for a “decorative peg display”, as shown and described.

**DESCRIPTION**

FIG. 1 is a perspective view of a “decorative peg display”, showing my new design;

FIG. 2 is a right side elevational view thereof; (and also a mirror image of the left side)

FIG. 3 is a front elevational view thereof;

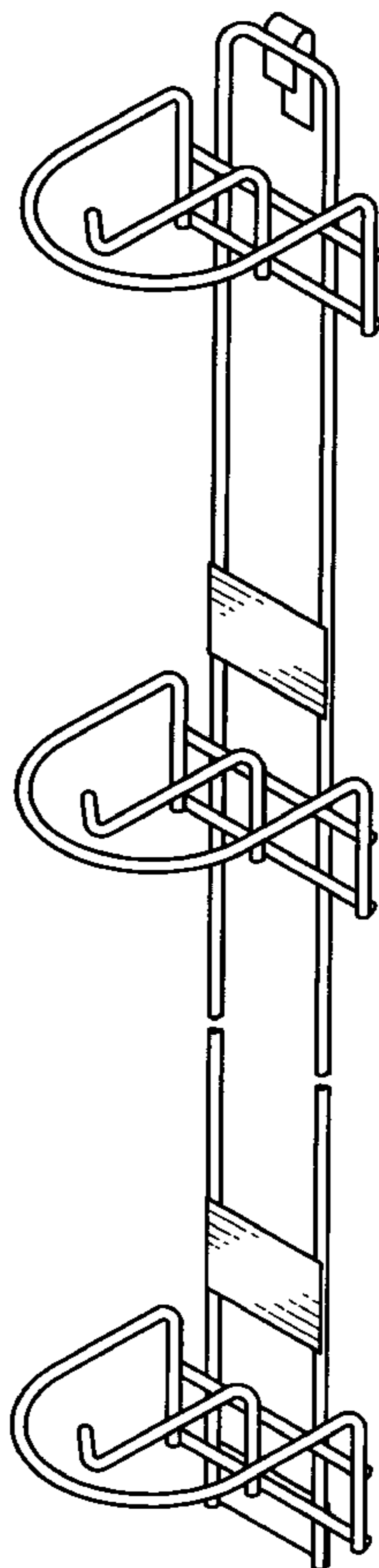
FIG. 4 is a rear elevational view thereof;

FIG. 5 is a bottom plan view thereof; and,

FIG. 6 is a top plan view thereof.

Indeterminate length is shown by illustrating a separating break to indicate that, for ease of illustration, the precise length of the article is not claimed.

**1 Claim, 3 Drawing Sheets**



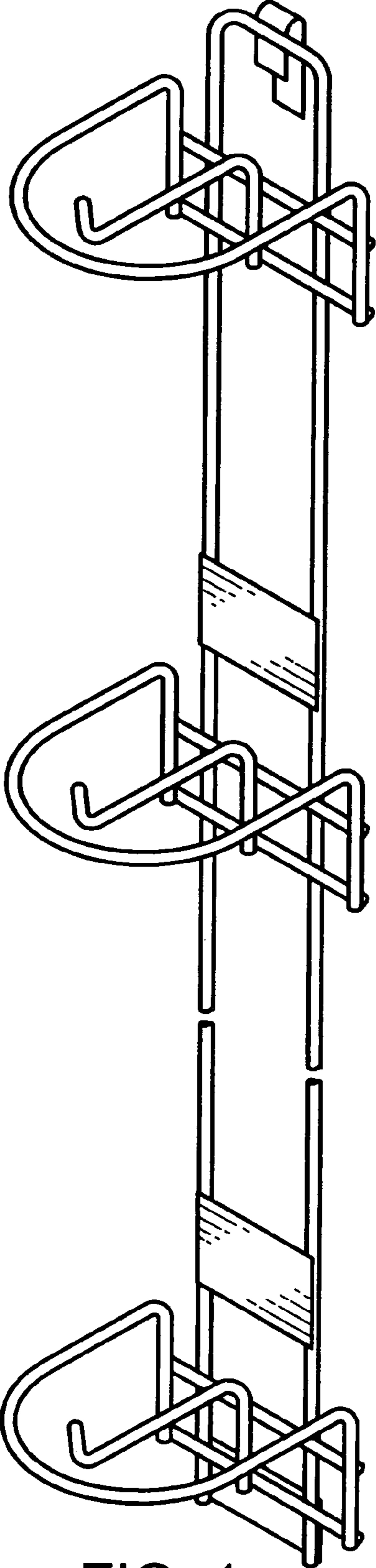


FIG. 1

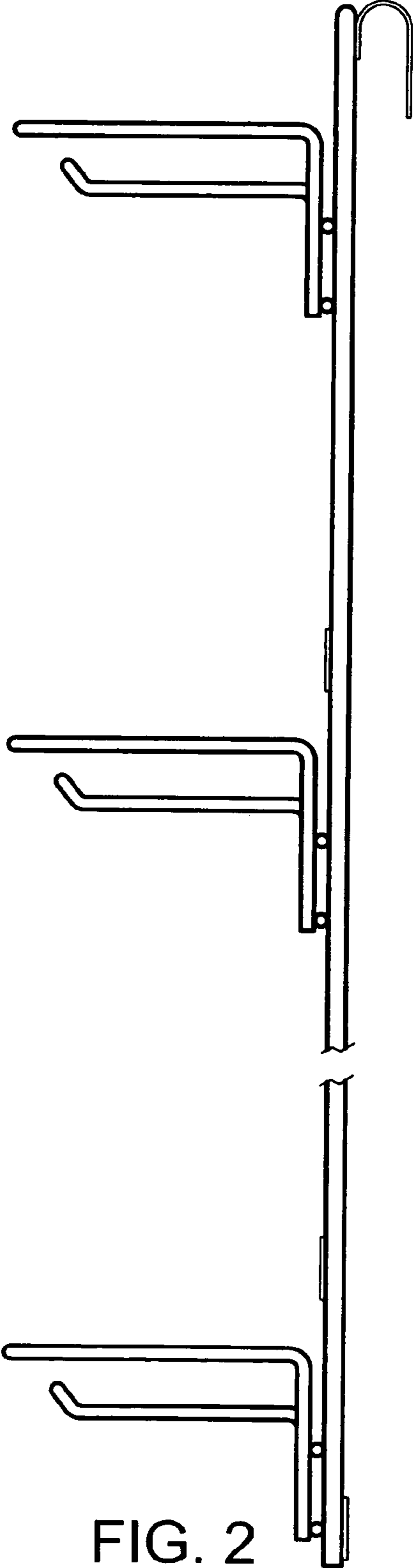


FIG. 2

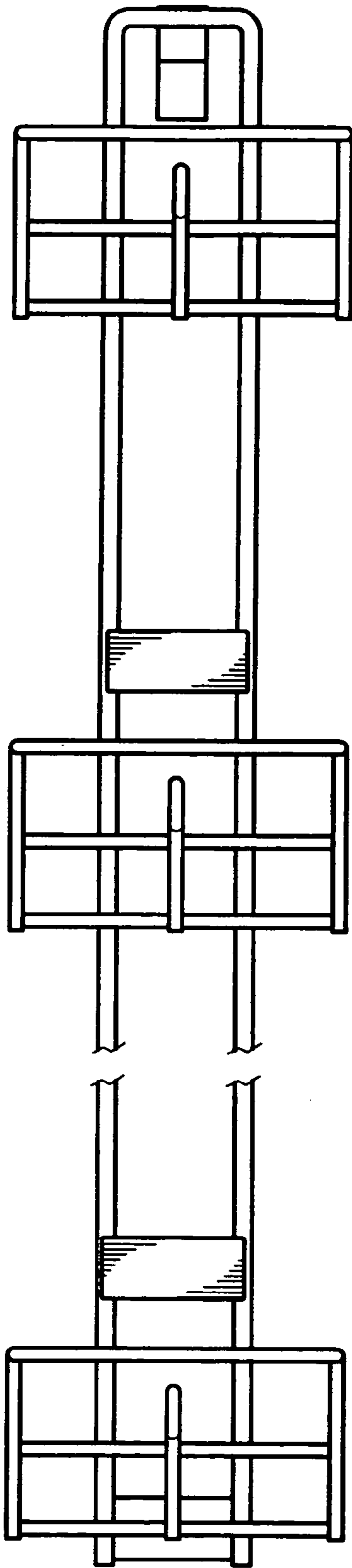


FIG. 3

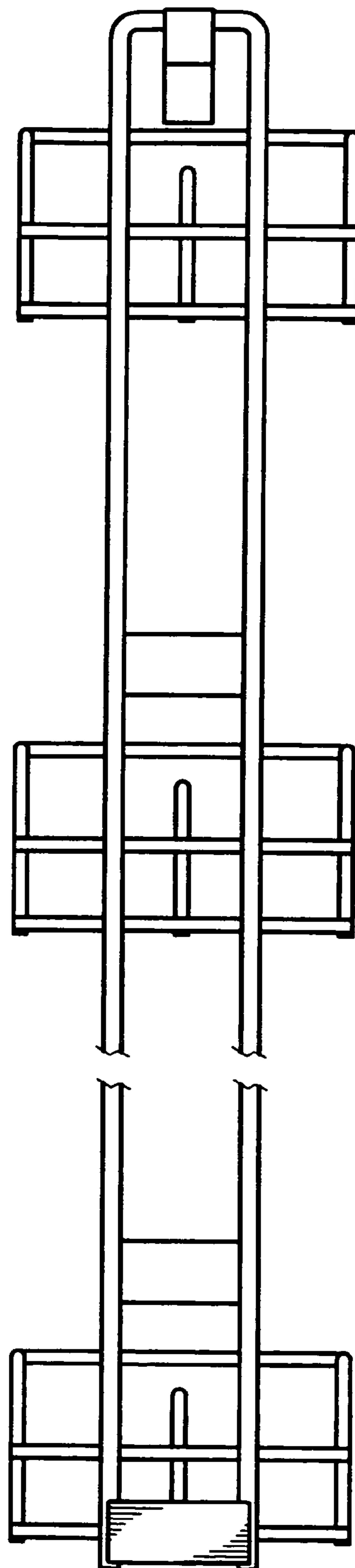


FIG. 4

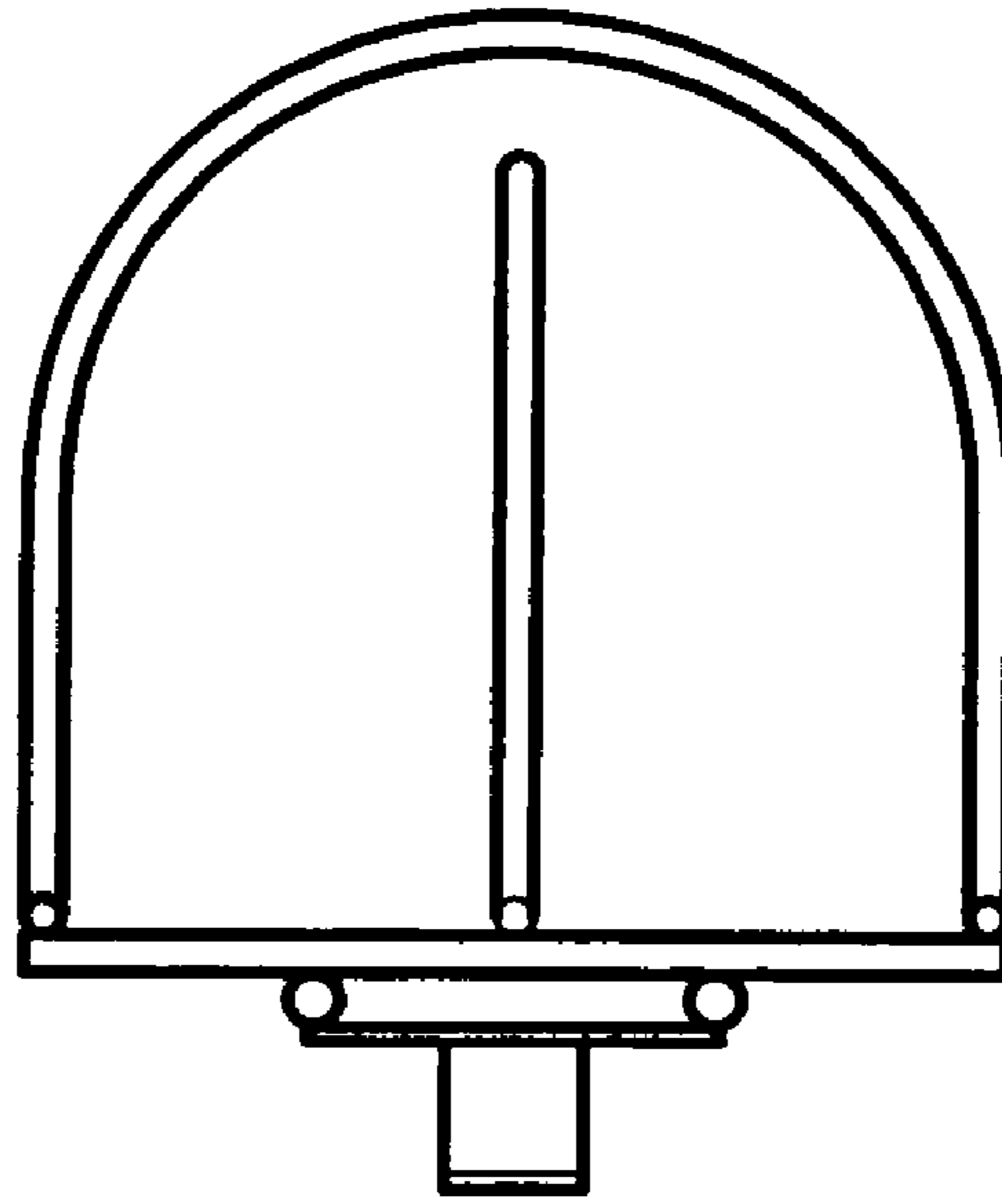


FIG. 5

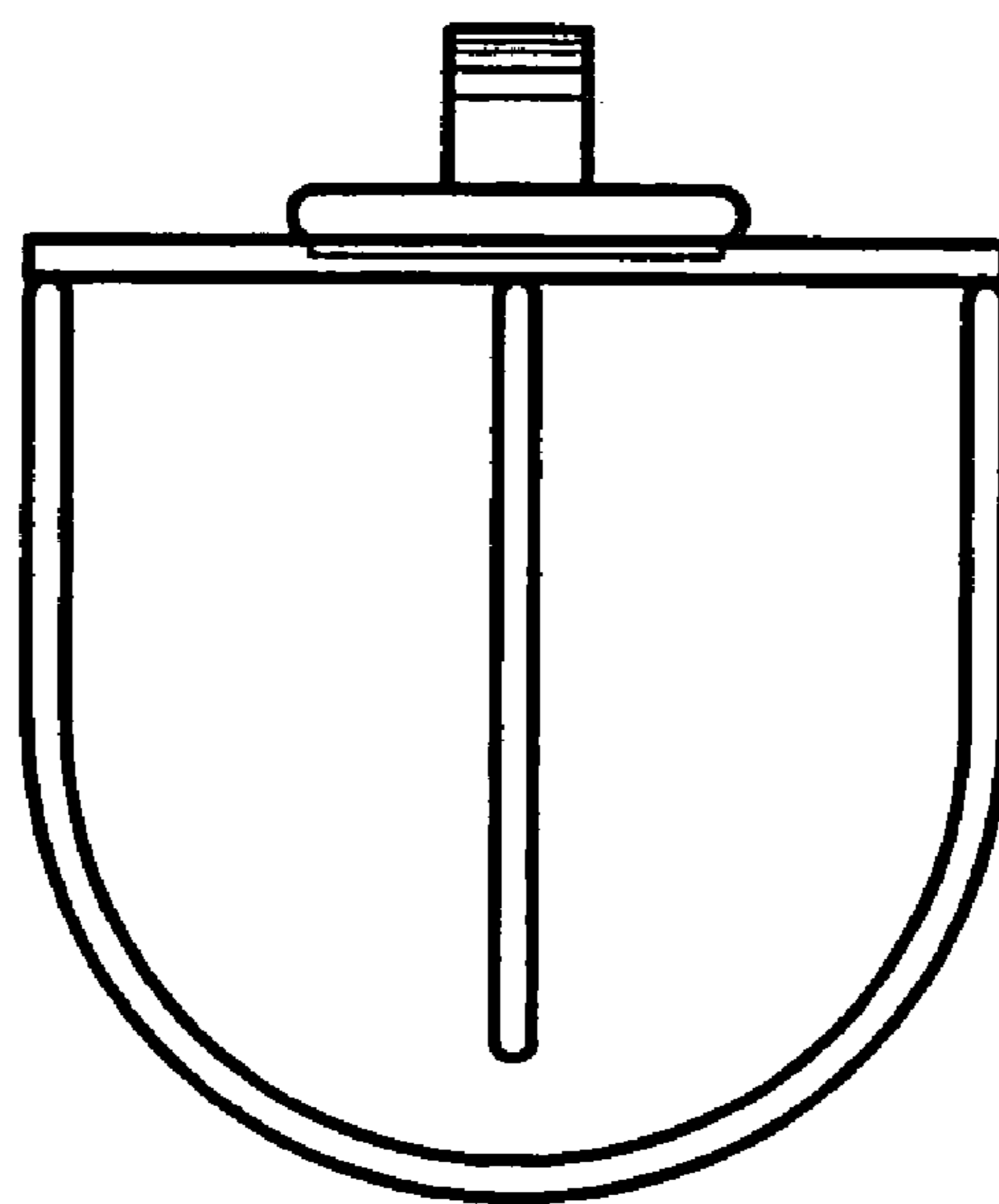


FIG. 6