



US00D552906S

(12) **United States Design Patent**
Zlatic et al.

(10) **Patent No.:** **US D552,906 S**
(45) **Date of Patent:** **** Oct. 16, 2007**

(54) **PEDDLE ACTUATED DISPENSER**

(75) Inventors: **Doug Zlatic**, North Royalton, OH (US);
Mark E. Rosenkranz, Medina, OH
(US); **Robert L. Quinlan, Jr.**, Stow,
OH (US); **Richard C. Sayers**, Akron,
OH (US)

(73) Assignee: **Joseph S. Kanfer**, Richfield, OH (US)

(**) Term: **14 Years**

(21) Appl. No.: **29/261,413**

(22) Filed: **Jun. 15, 2006**

(51) **LOC (8) Cl.** **23-02**

(52) **U.S. Cl.** **D6/545**

(58) **Field of Classification Search** D6/542-545;
221/208, 282, 283; 222/105, 173, 180, 181.1,
222/181.2, 181.3

See application file for complete search history.

(56) **References Cited**

U.S. PATENT DOCUMENTS

- D337,908 S * 8/1993 Weber D6/545
- D387,597 S * 12/1997 Kearnes D6/545
- D417,111 S * 11/1999 Polan D6/545
- D431,404 S * 10/2000 Brazis et al. D6/545

- D453,886 S * 2/2002 Pruijssers D6/545
- D479,422 S * 9/2003 Ciavarella et al. D6/545
- D498,628 S * 11/2004 Rhodenbaugh D6/545
- D502,033 S * 2/2005 Bruder D6/545
- D512,863 S * 12/2005 Bowes et al. D6/545
- D530,125 S * 10/2006 Vignot D6/545

* cited by examiner

Primary Examiner—Brian N Vinson

(74) *Attorney, Agent, or Firm*—Renner, Kenner, Greive,
Bobak, Taylor & Weber

(57) **CLAIM**

We claim the ornamental design for a peddle actuated dispenser, as shown and described.

DESCRIPTION

FIG. 1 is a front elevational view of a new design for a dispenser assembly;

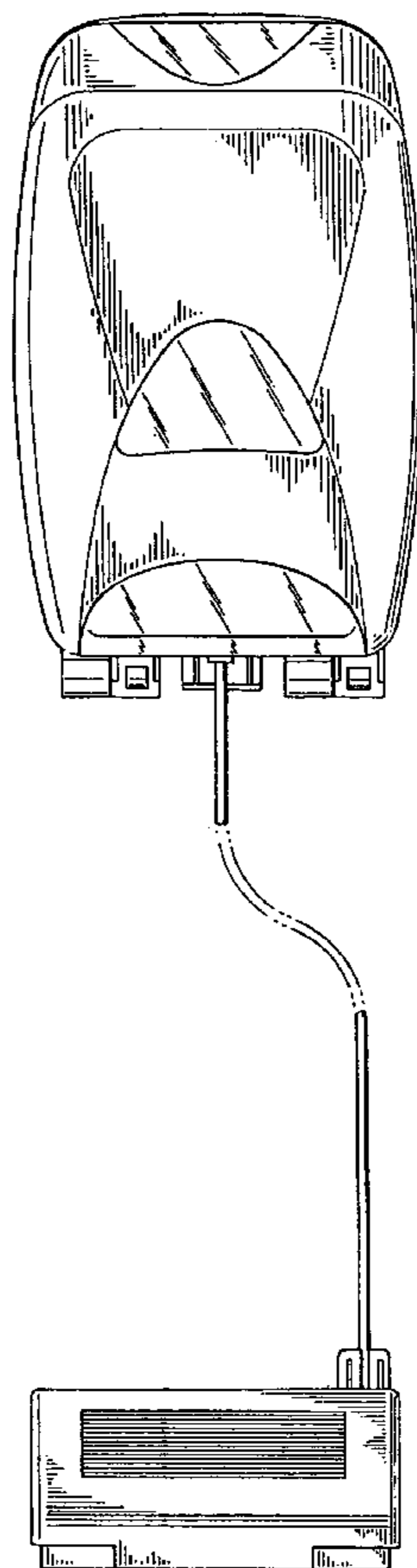
FIG. 2 is a side elevational view of the dispenser assembly, the opposite side view being a mirror image thereof;

FIG. 3 is a top view;

FIG. 4 is a bottom view; and,

FIG. 5 is a rear elevational view.

1 Claim, 3 Drawing Sheets



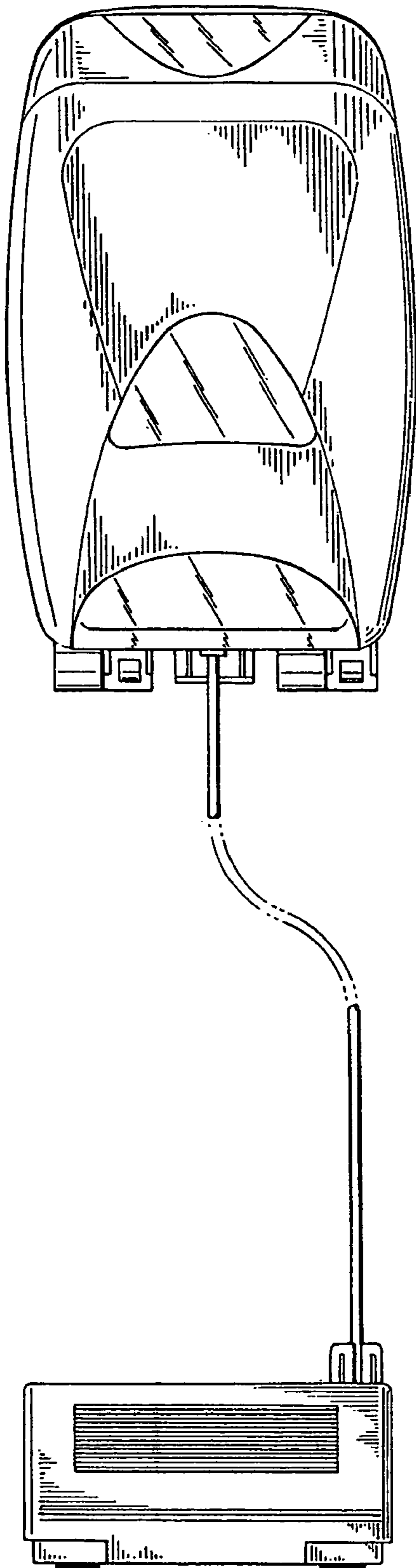


FIG. -1

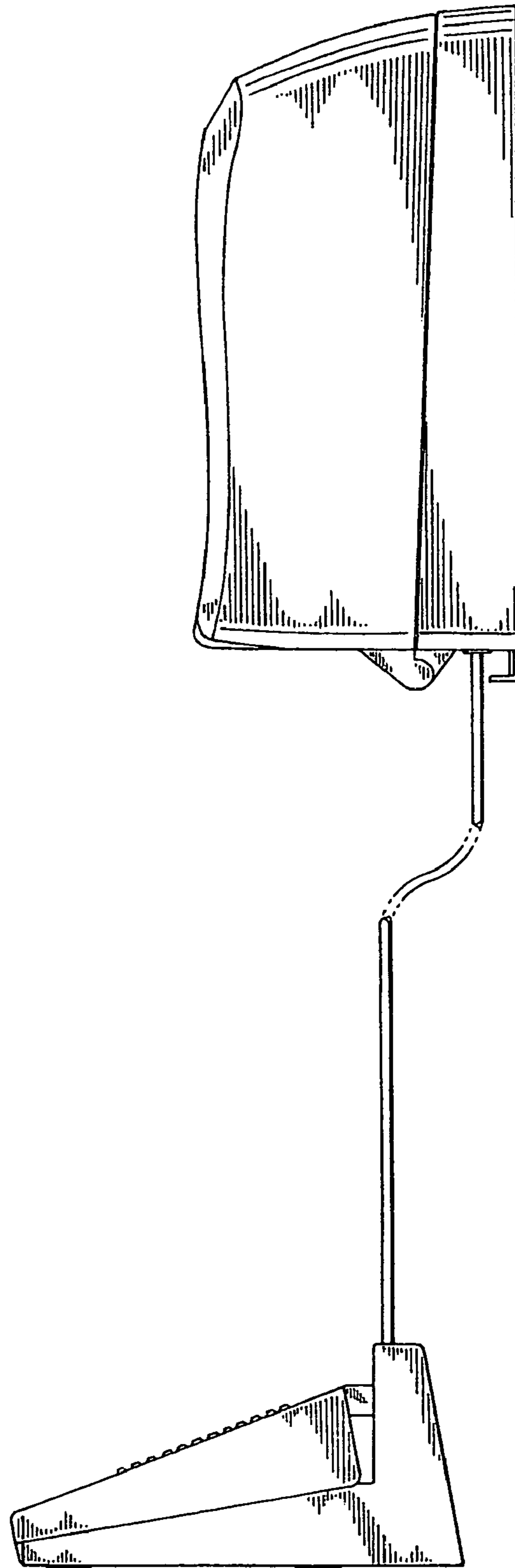


FIG. -2

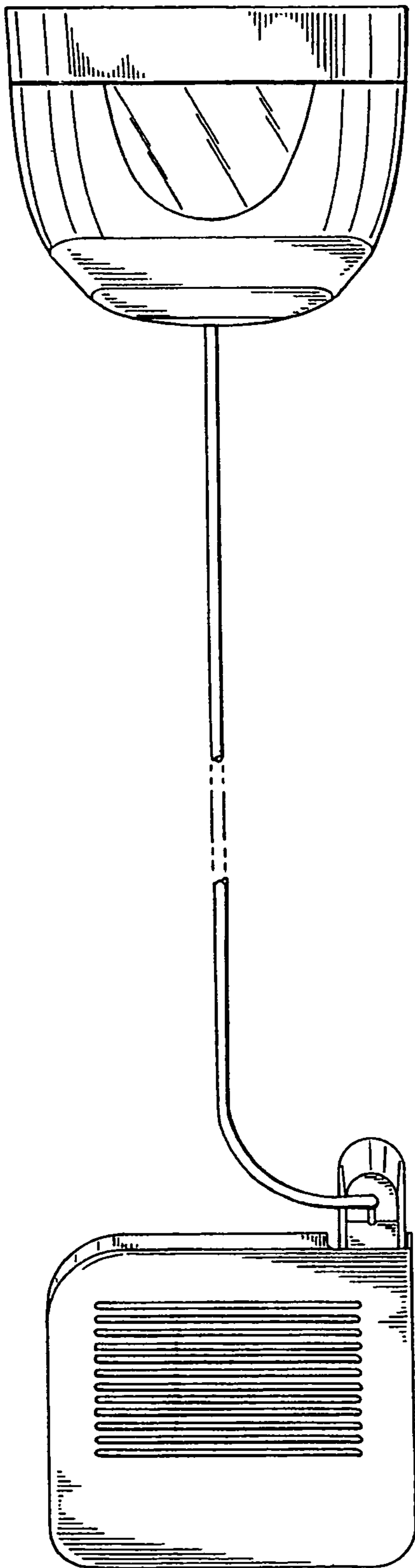


FIG. -3

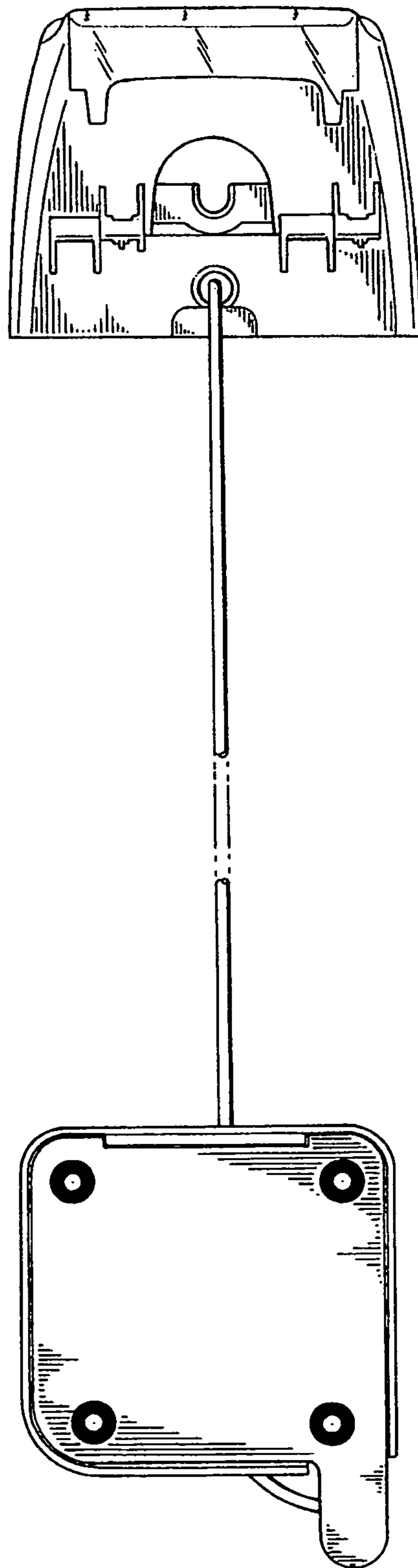


FIG. -4

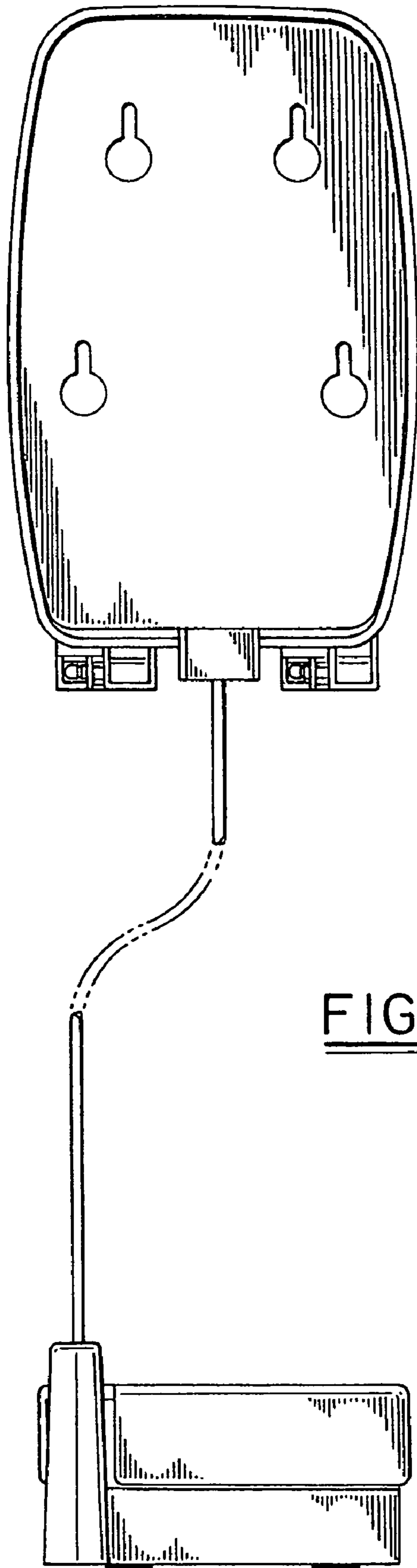


FIG.-5

UNITED STATES PATENT AND TRADEMARK OFFICE
CERTIFICATE OF CORRECTION

PATENT NO. : Des. 552,906 S
APPLICATION NO. : 29/261413
DATED : October 16, 2007
INVENTOR(S) : Doug Zlatic et al.

Page 1 of 1

It is certified that error appears in the above-identified patent and that said Letters Patent is hereby corrected as shown below:

In the Title Item (54), the term "PEDDLE" should be --PEDAL--.

In the Claim Item (57), the term "peddle" should be --pedal--.

Signed and Sealed this

Tenth Day of June, 2008

A handwritten signature in black ink that reads "Jon W. Dudas". The signature is written in a cursive style with a large, looped initial "J".

JON W. DUDAS

Director of the United States Patent and Trademark Office