



US00D552904S

(12) **United States Design Patent**  
**Duncan**

(10) **Patent No.:** **US D552,904 S**

(45) **Date of Patent:** **\*\* Oct. 16, 2007**

(54) **SOAP DISH FOR AIR GAP PIPE**

(76) **Inventor:** **Scott E. Duncan**, 1853 Wright St.,  
Santa Rosa, CA (US) 95404

(\*\*) **Term:** **14 Years**

(21) **Appl. No.:** **29/248,826**

(22) **Filed:** **Sep. 6, 2006**

(51) **LOC (8) Cl.** ..... **23-02**

(52) **U.S. Cl.** ..... **D6/536**

(58) **Field of Classification Search** ..... D6/536-540;  
D23/260; 211/13.1, 85.12; 206/77.1; 4/347,  
4/668, 671, 679, 696, 209 R; 55/385.4  
See application file for complete search history.

(56) **References Cited**

**U.S. PATENT DOCUMENTS**

D272,875 S *	3/1984	Johnston	.....	D6/536
D486,891 S *	2/2004	Cronce, Jr.	.....	D23/260
D494,662 S *	8/2004	Traut et al.	.....	D23/260

\* cited by examiner

*Primary Examiner*—Brian N Vinson

(74) *Attorney, Agent, or Firm*—Craig M. Stainbrook;  
Stainbrook & Stainbrook, LLP

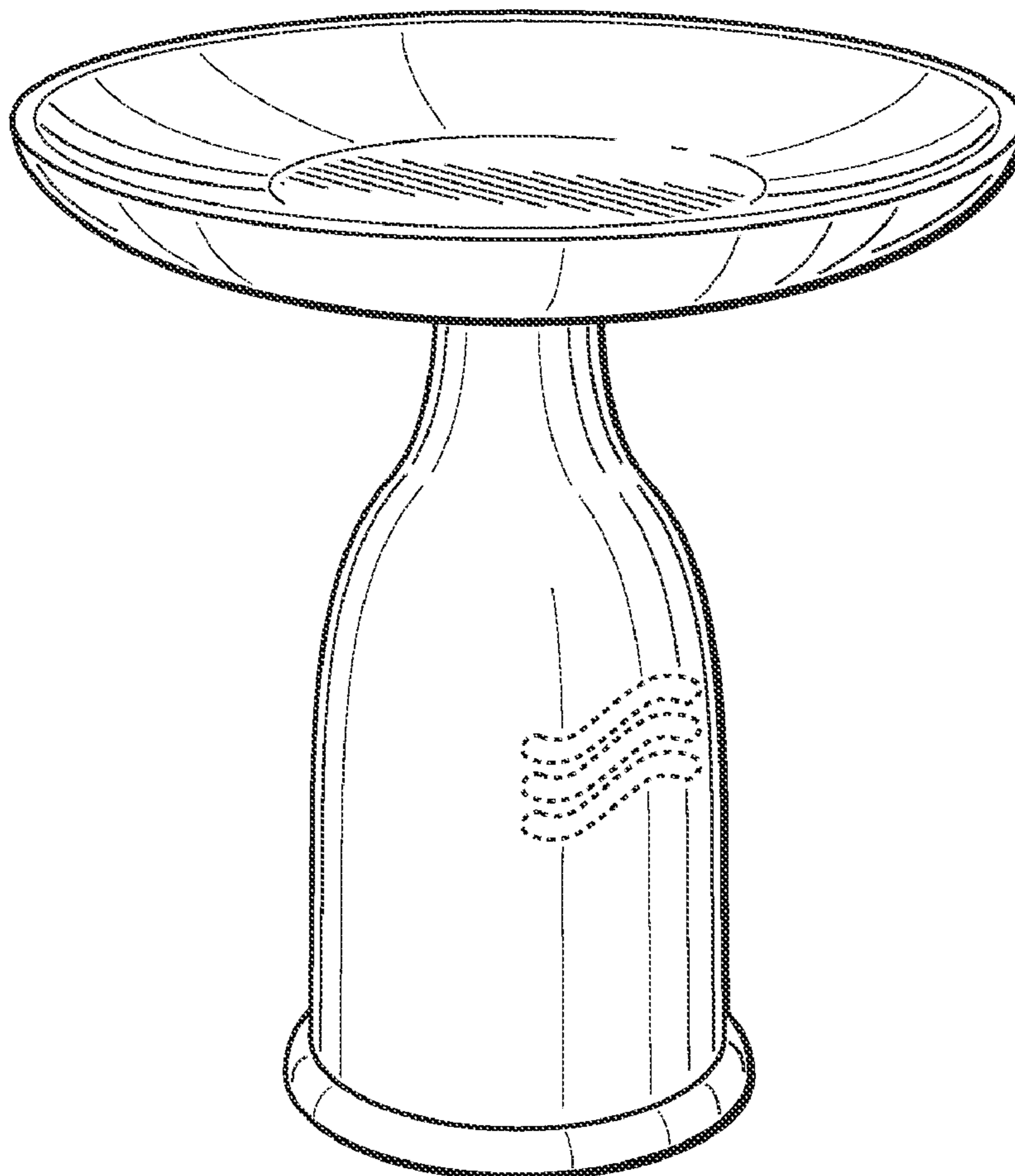
(57) **CLAIM**

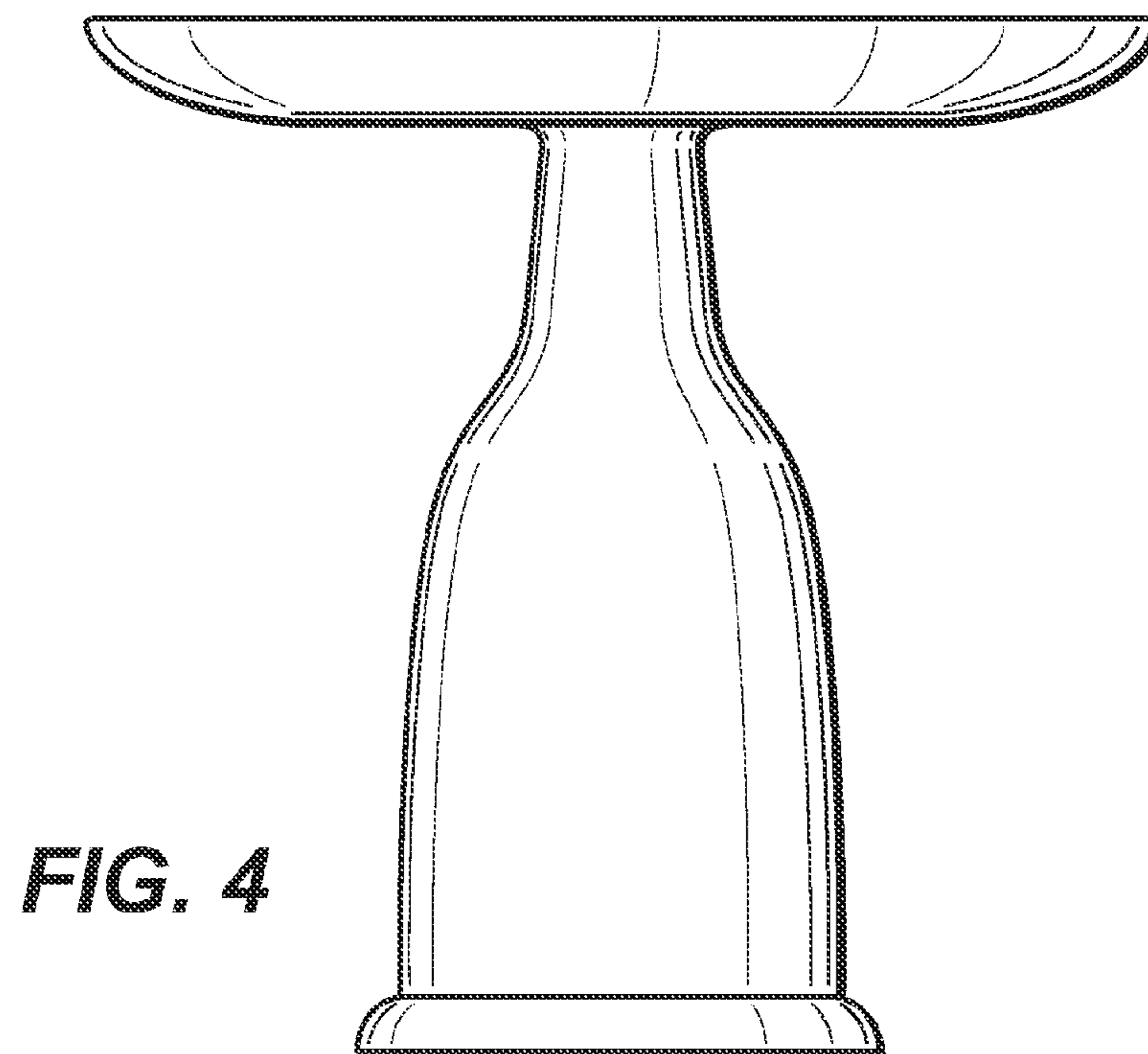
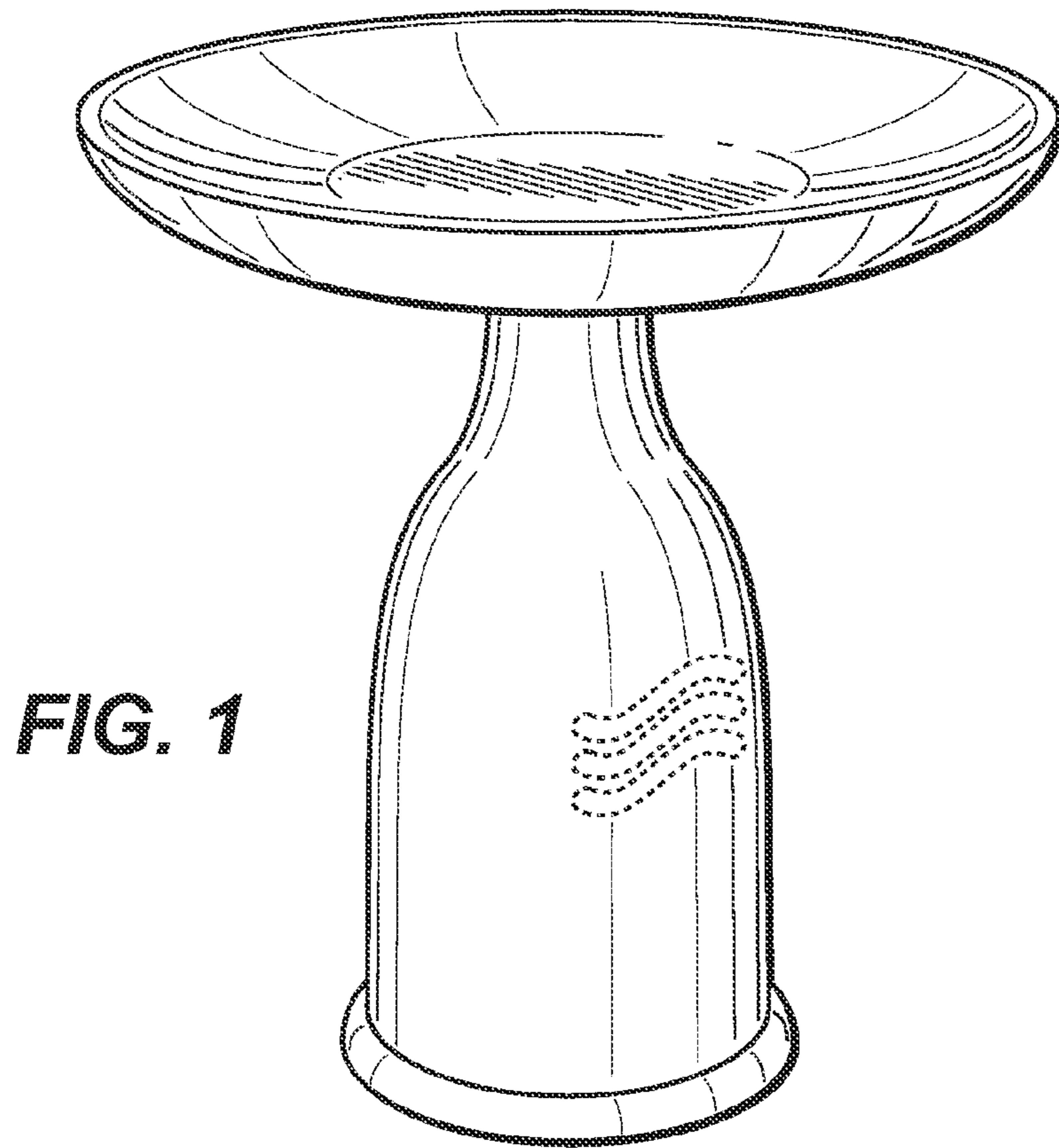
The ornamental design for a soap dish for air gap pipe, as shown and described.

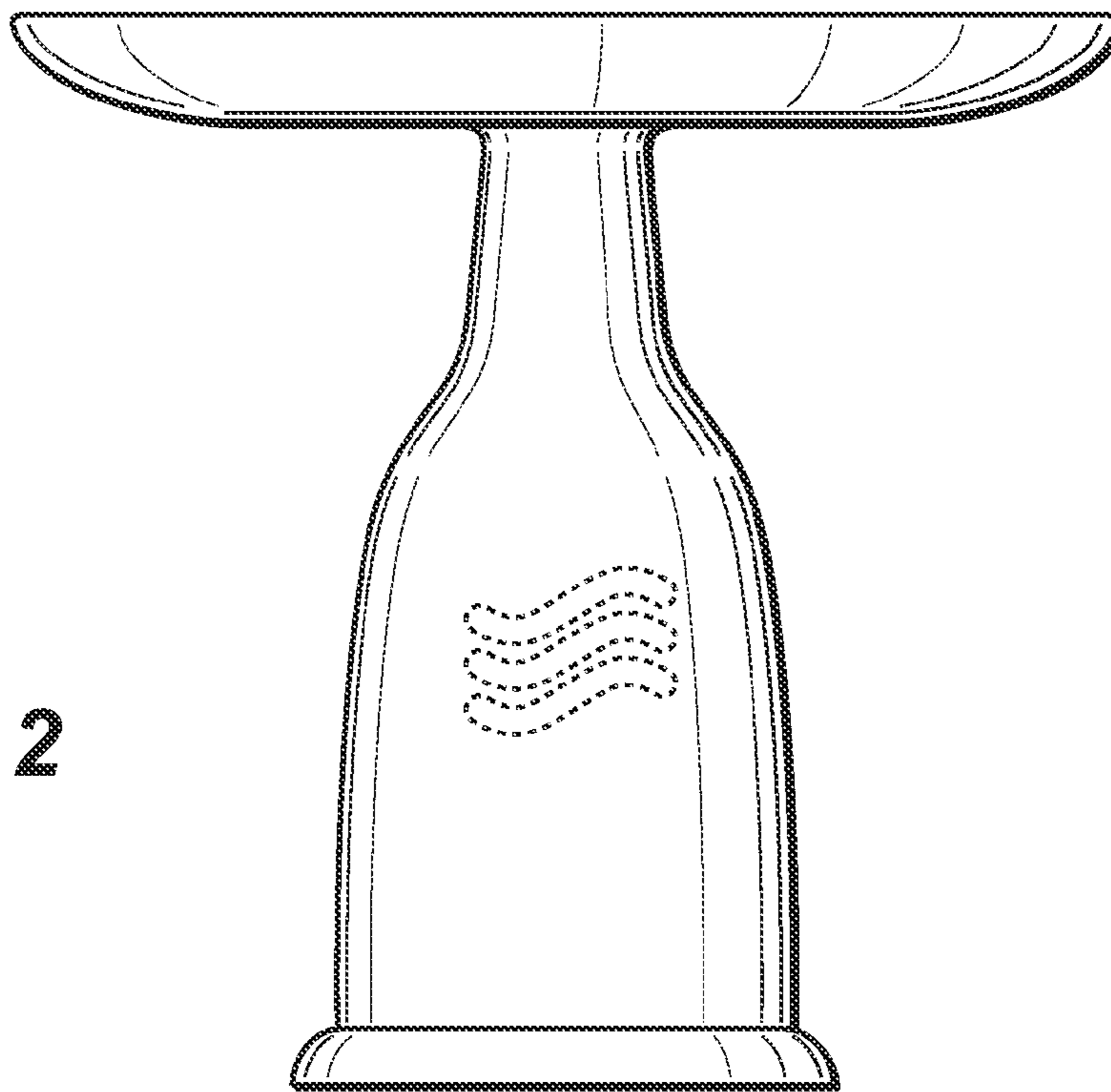
**DESCRIPTION**

FIG. 1 is a front left perspective view;  
 FIG. 2 is a front view in elevation;  
 FIG. 3 is a right side view in elevation, the left side being a mirror image thereof;  
 FIG. 4 is a rear view in elevation;  
 FIG. 5 is a top plan view; and,  
 FIG. 6 is a bottom view.

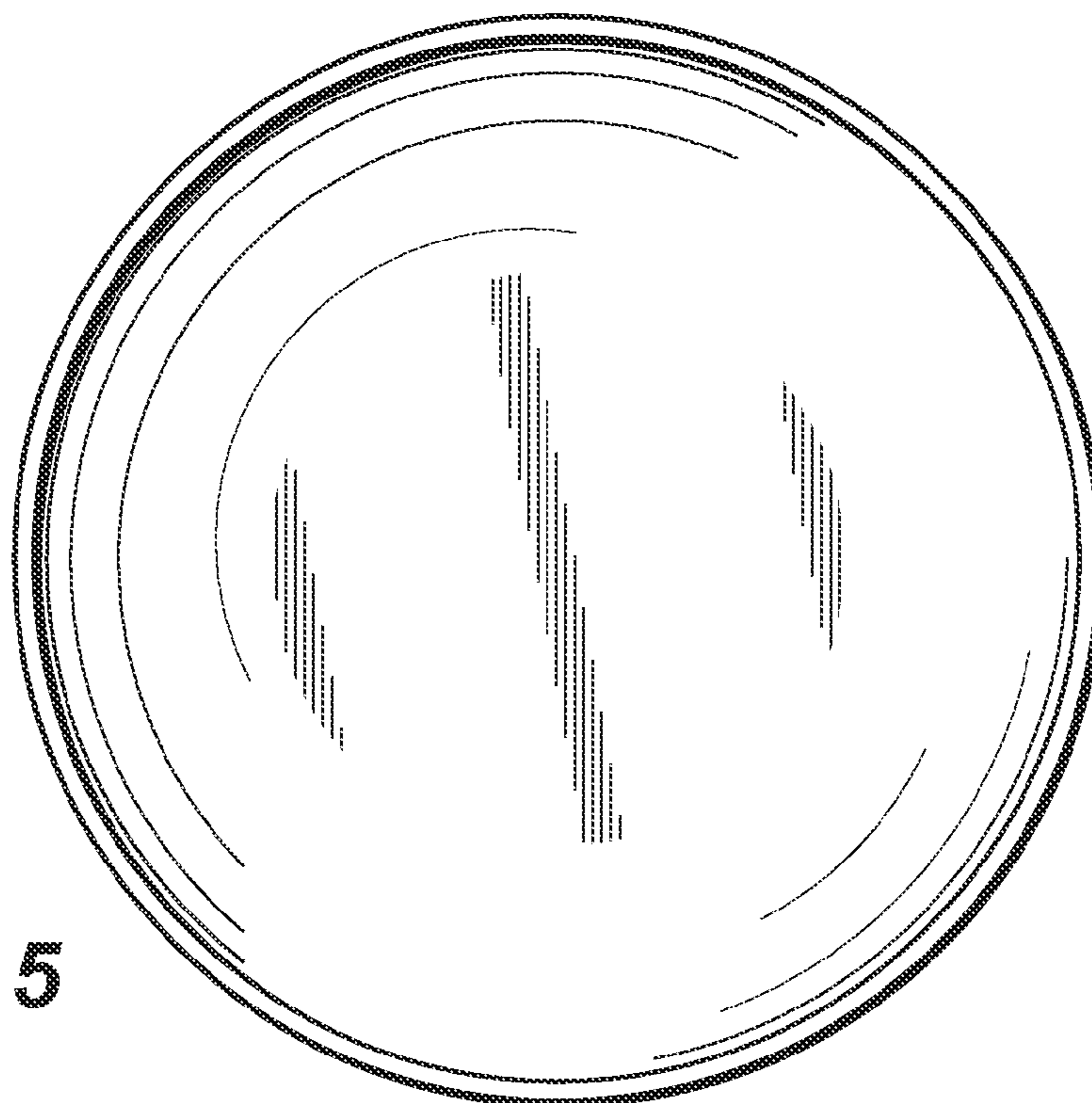
**1 Claim, 3 Drawing Sheets**



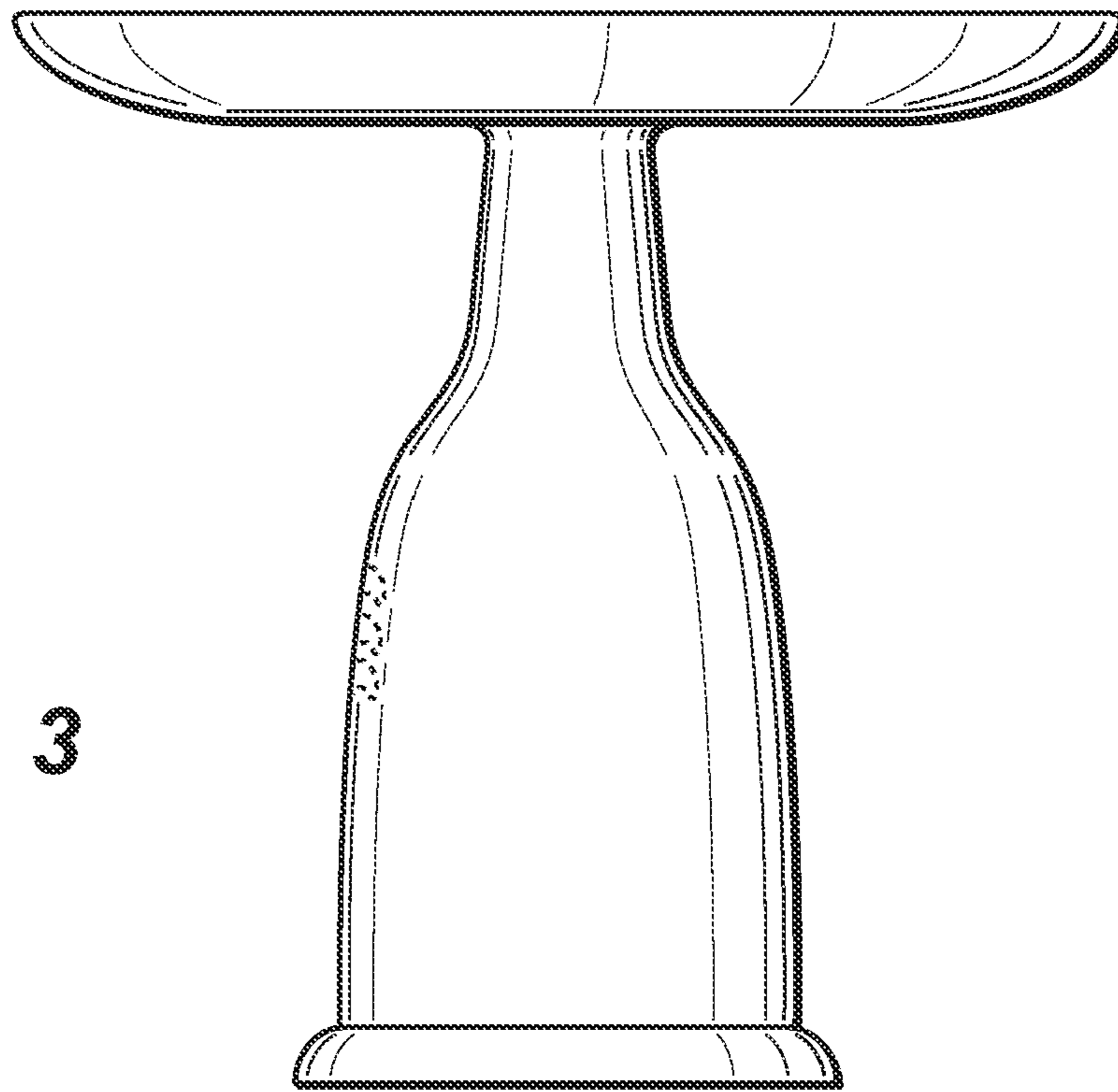




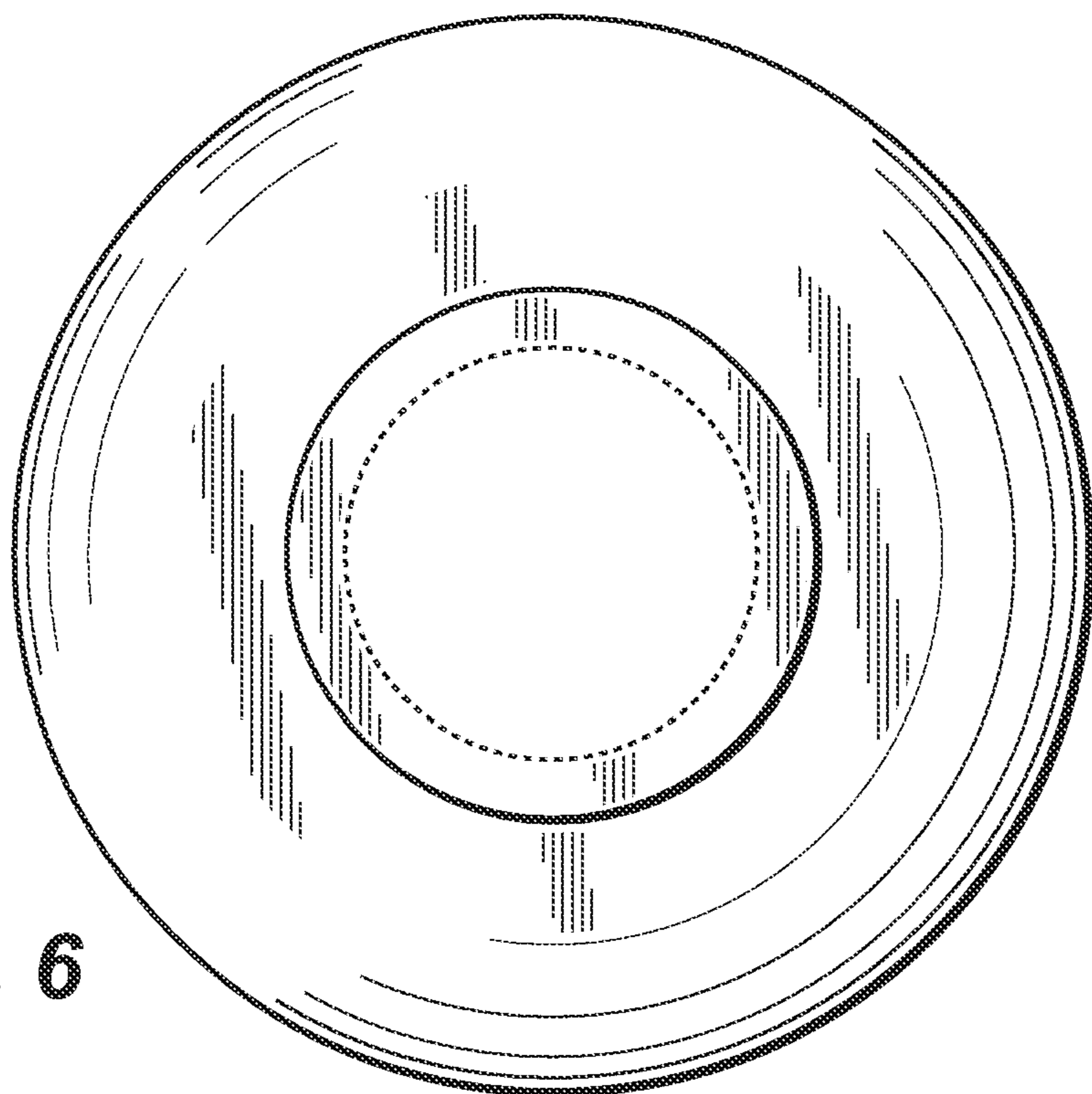
**FIG. 2**



**FIG. 5**



**FIG. 3**



**FIG. 6**