



US00D552903S

(12) **United States Design Patent**
Bitterman

(10) **Patent No.:** **US D552,903 S**

(45) **Date of Patent:** **** Oct. 16, 2007**

(54) **ACCESSORY POST**

(75) **Inventor:** **Timothy J. Bitterman**, Broadview Heights, OH (US)

(73) **Assignee:** **Moen Incorporated**, North Olmsted, OH (US)

(**) **Term:** **14 Years**

(21) **Appl. No.:** **29/267,072**

(22) **Filed:** **Oct. 4, 2006**

(51) **LOC (8) Cl.** **23-02**

(52) **U.S. Cl.** **D6/524; D6/550**

(58) **Field of Classification Search** D6/546-550, D6/518-523; D8/300, 303, 315-321, 349, D8/354, 363, 373, 380; 108/28-29; 211/13.1, 211/16, 60.1, 100, 86.01, 87.01, 88.01, 88.04, 211/105.1-105.2, 123, 182, 181.1; 248/175, 248/176.1, 251, 302, 309.1; 16/110.1, 412, 16/415; 242/570, 590, 595-598

See application file for complete search history.

(56) **References Cited**

U.S. PATENT DOCUMENTS

D317,691 S	6/1991	Wang	
D409,032 S	5/1999	Kuo	
D427,471 S	7/2000	Chen	
D469,644 S *	2/2003	Yen	D6/550
D473,742 S	4/2003	Gilbert	
D477,944 S	8/2003	Cummings	
D478,448 S	8/2003	Hoernig	
D479,931 S	9/2003	Gilbert	
D492,530 S	7/2004	Chen	
D498,377 S	11/2004	Pan	
D498,624 S *	11/2004	Chen	D6/524
D504,309 S	4/2005	Fuchs	
D516,850 S	3/2006	Shieh	

D517,360 S	3/2006	Chen	
D518,324 S *	4/2006	Qu et al.	D6/550
D518,325 S	4/2006	Gilbert	
D520,791 S *	5/2006	Solowiej	D6/550
D521,291 S	5/2006	Ferrer Beltran	
D522,293 S	6/2006	Yang et al.	
D528,839 S *	9/2006	Kirar	D6/550
D533,384 S *	12/2006	Gilbert	D6/550
D537,668 S *	3/2007	Murray	D6/550

* cited by examiner

Primary Examiner—Brian N Vinson

(74) *Attorney, Agent, or Firm*—Calfee, Halter & Griswold LLP

(57) **CLAIM**

The ornamental design for an accessory post, as shown and described.

DESCRIPTION

FIG. 1 is a perspective view of an accessory post of the new design;

FIG. 2 is a front elevational view of the accessory post of FIG. 1;

FIG. 3 is a rear elevational view of the accessory post of FIG. 1;

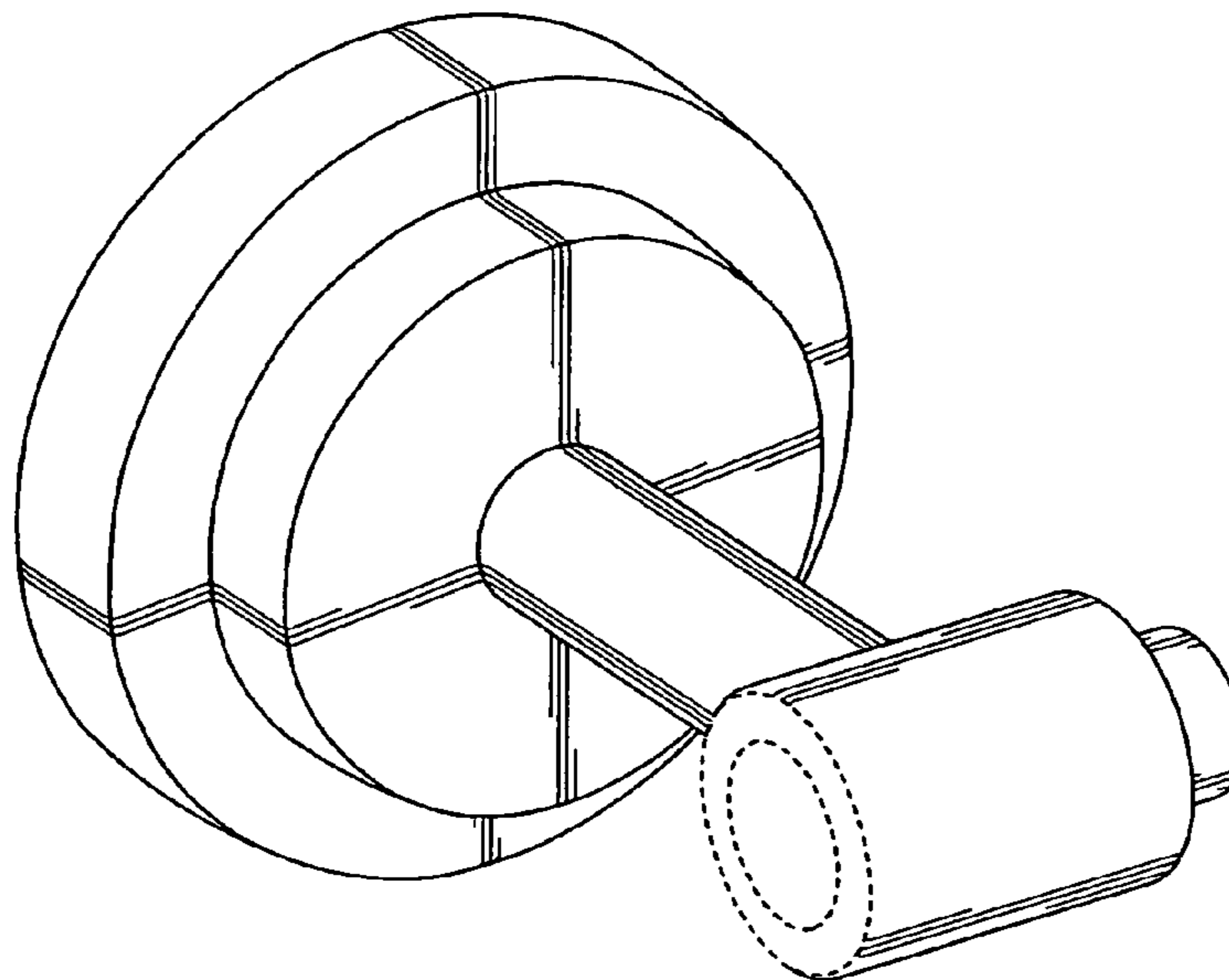
FIG. 4 is a left side elevational view of the accessory post of FIG. 1;

FIG. 5 is a right side elevational view of the accessory post of FIG. 1;

FIG. 6 is a top plan view of the accessory post of FIG. 1; and, FIG. 7 is a bottom plan view of the accessory post of FIG. 1.

The portions of the Figures shown in broken lines are not part of the claimed design and are for illustration only.

1 Claim, 3 Drawing Sheets



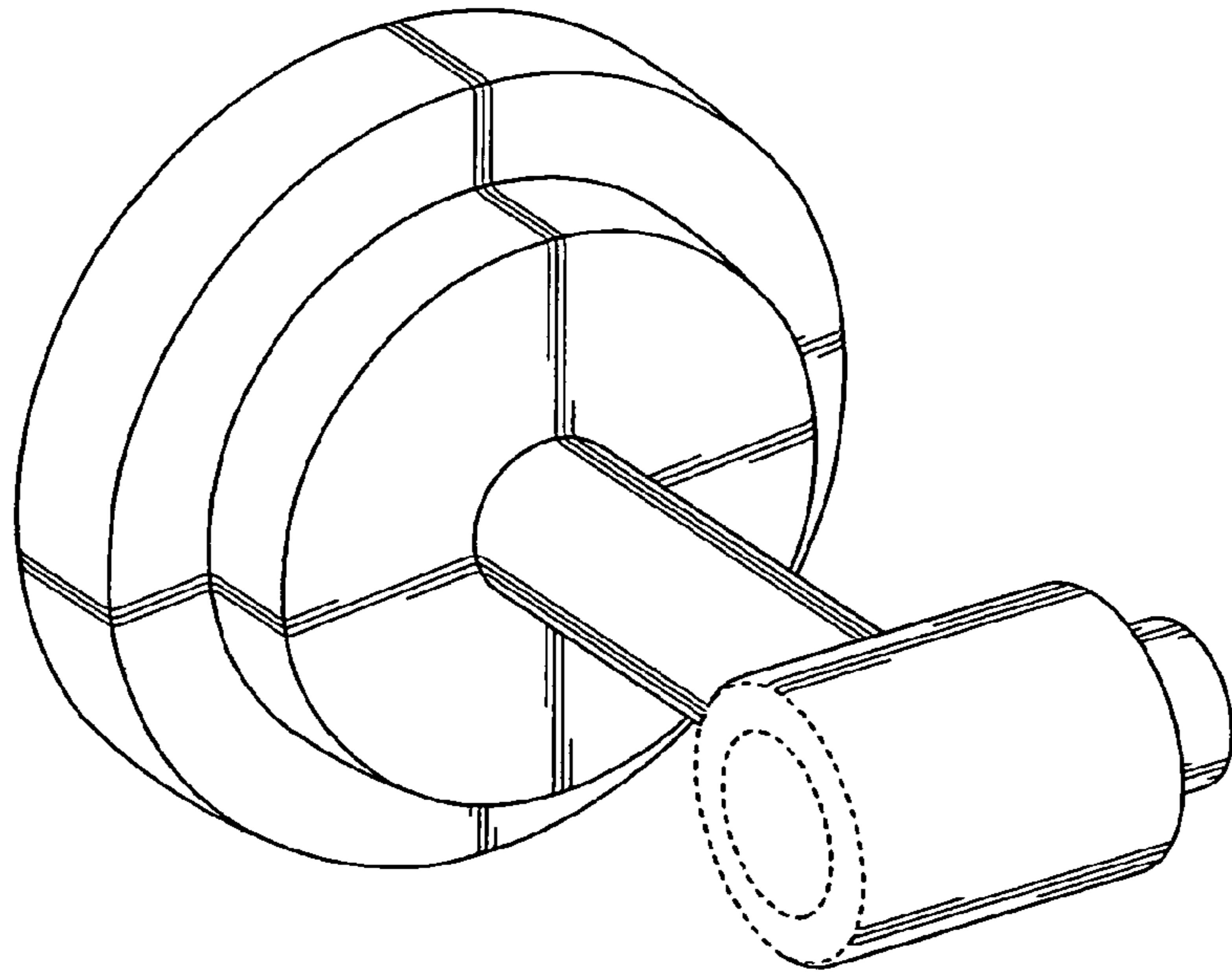


FIG. 1

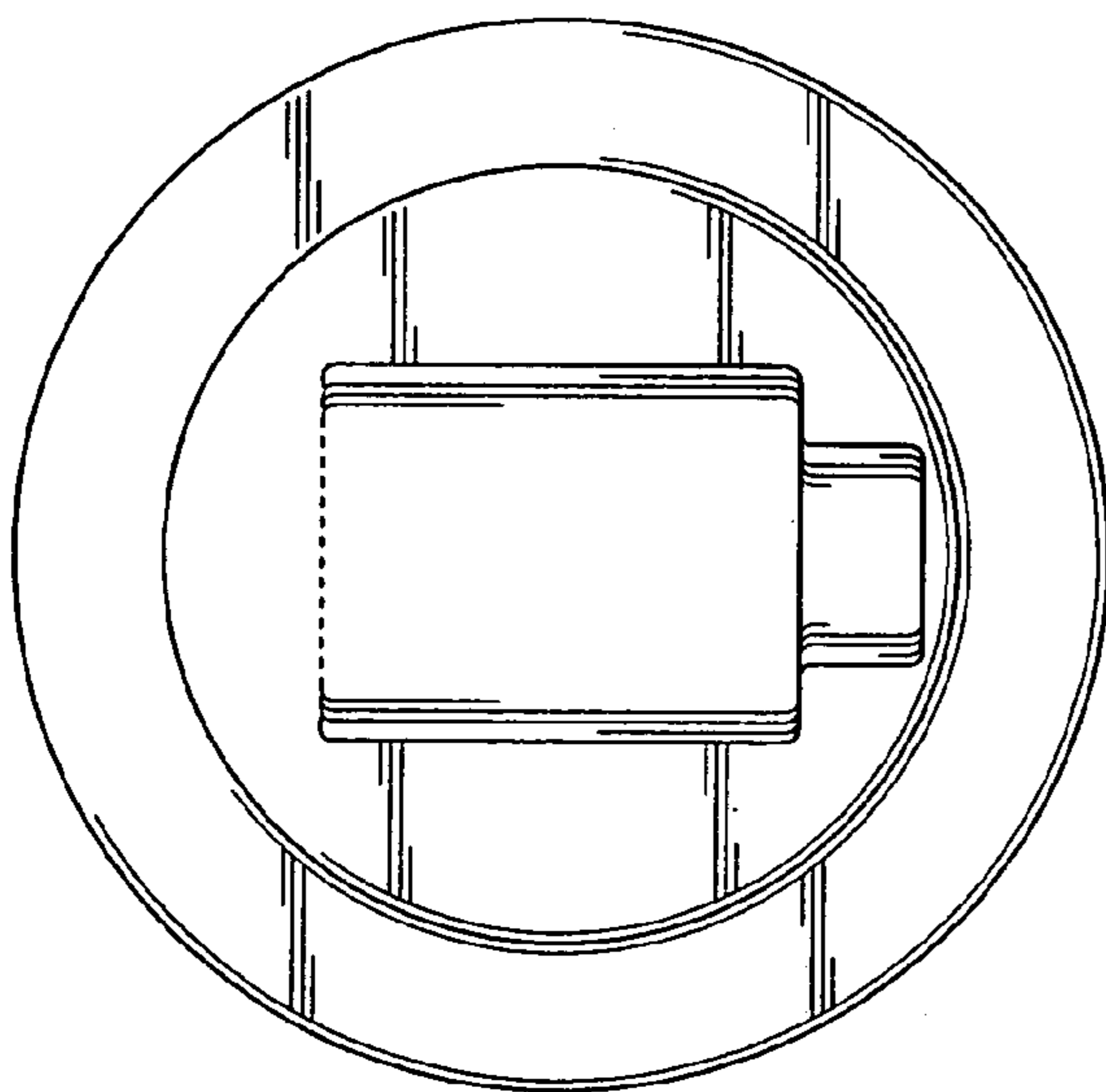


FIG. 2

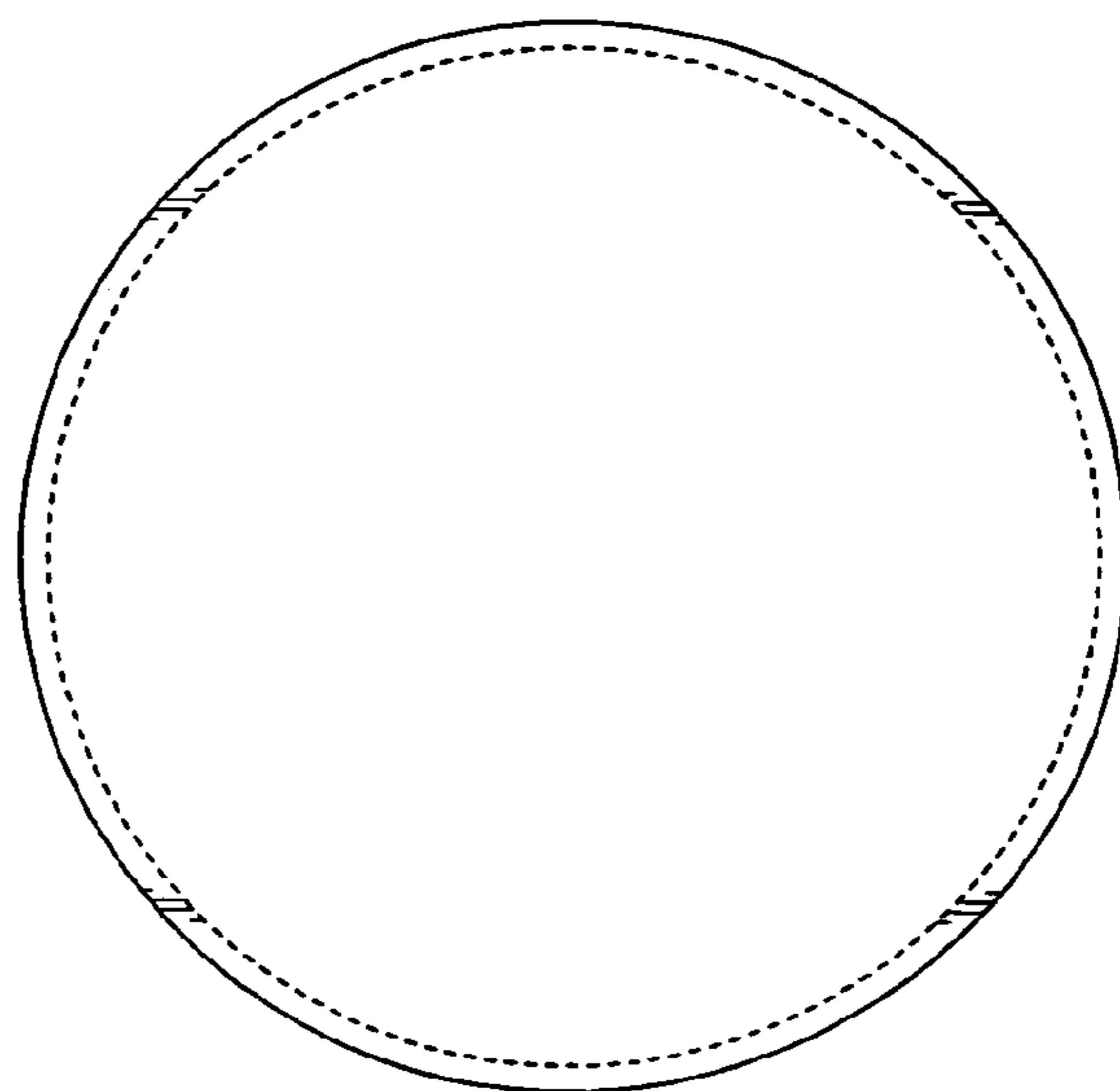


FIG. 3

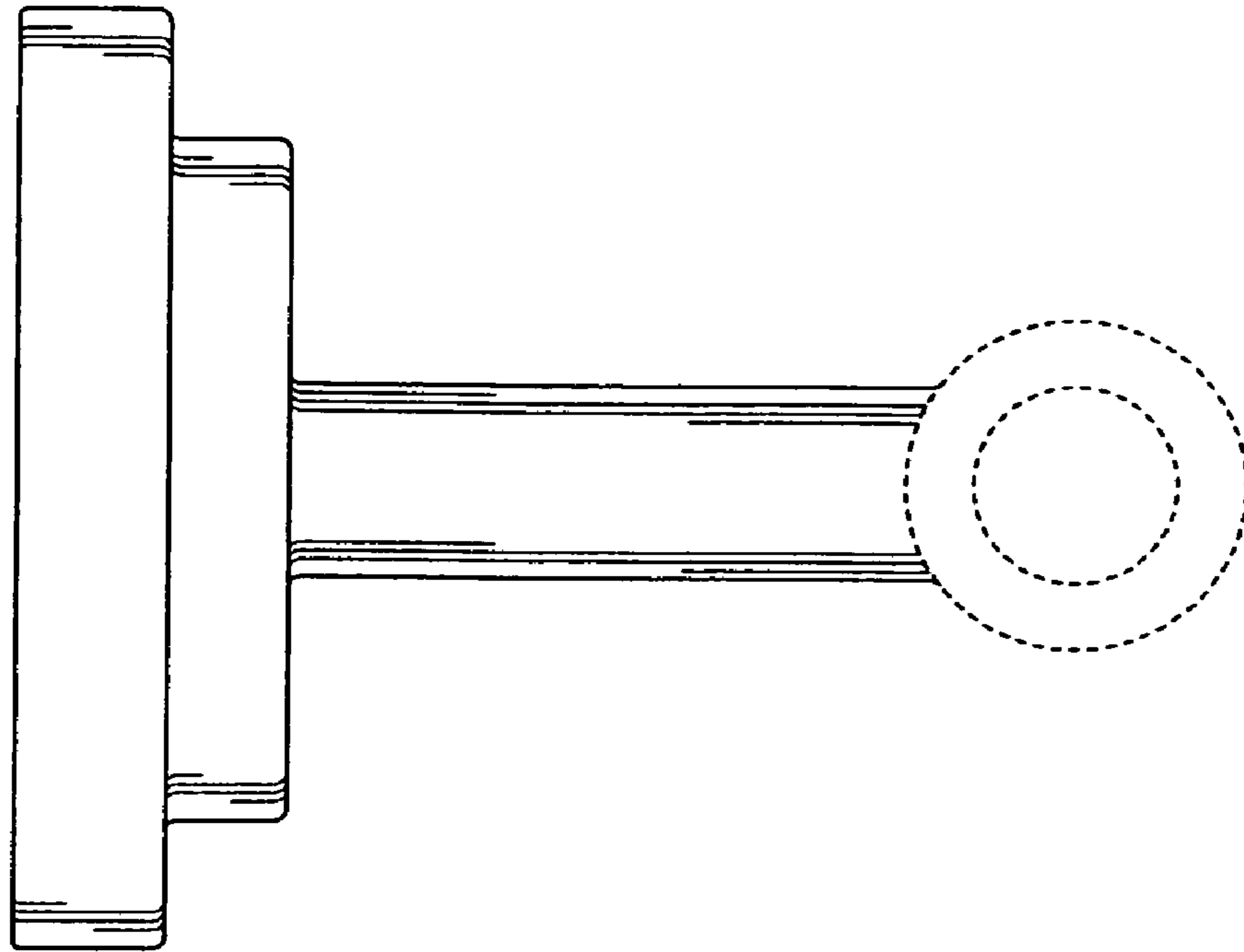


FIG. 4

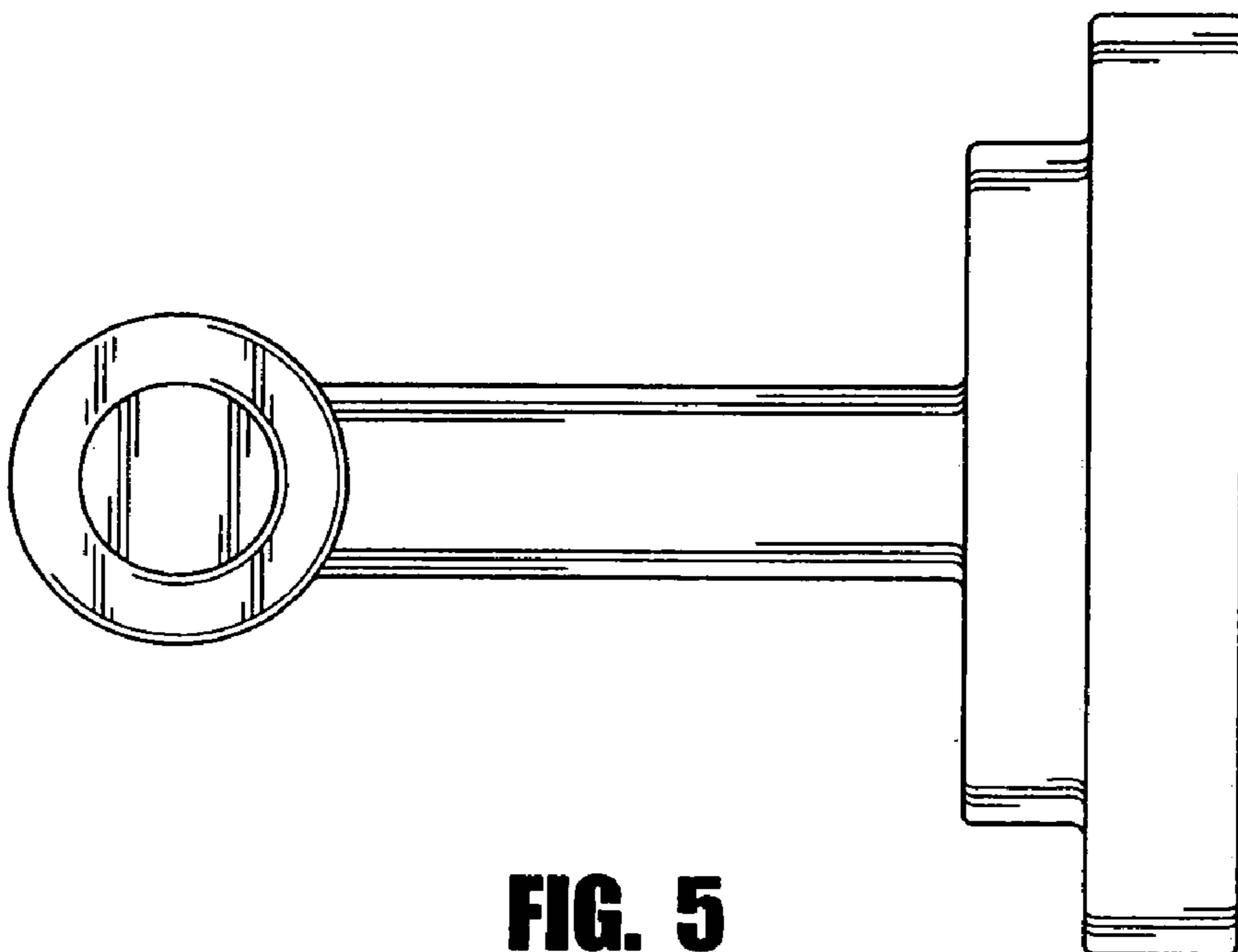


FIG. 5

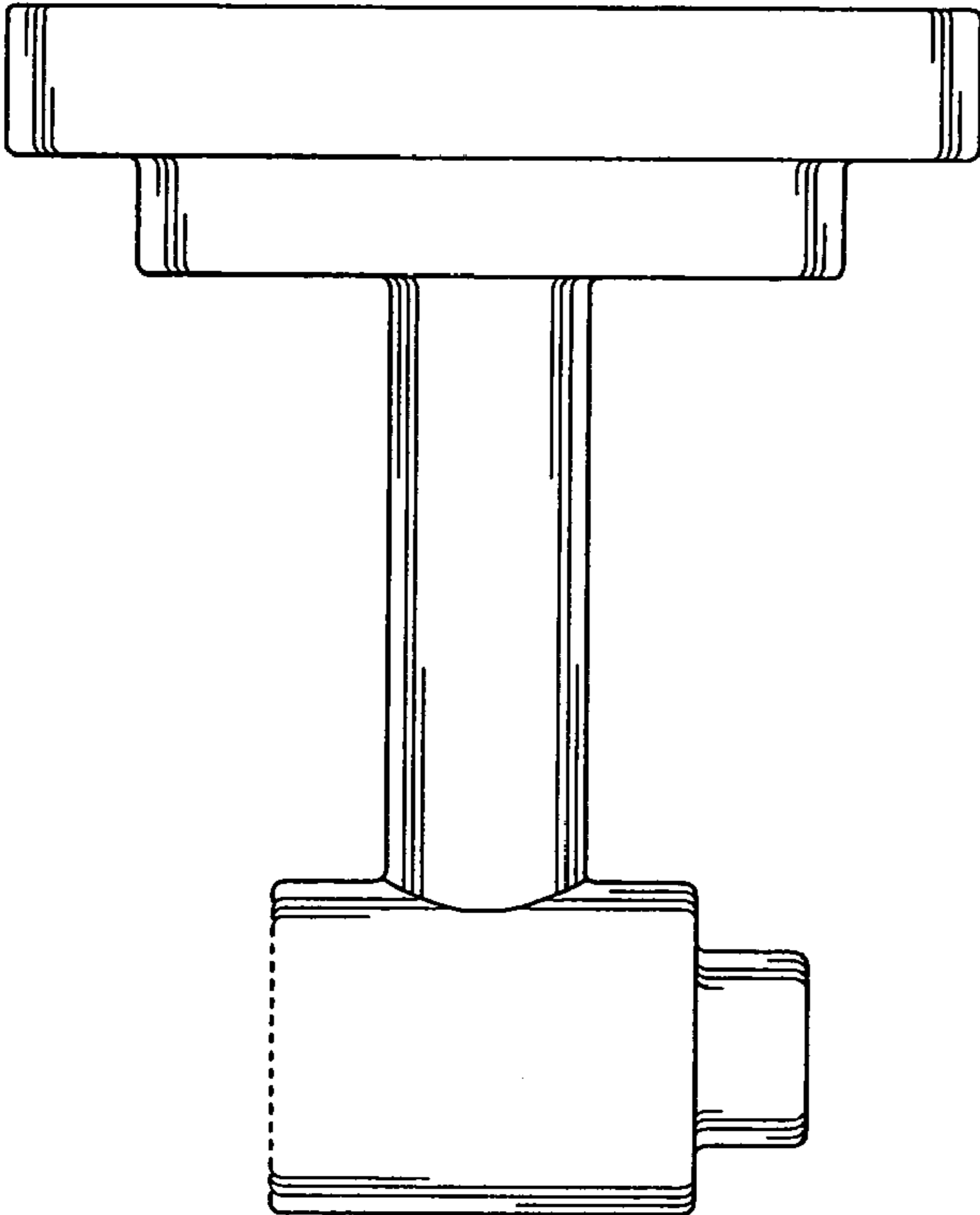


FIG. 6

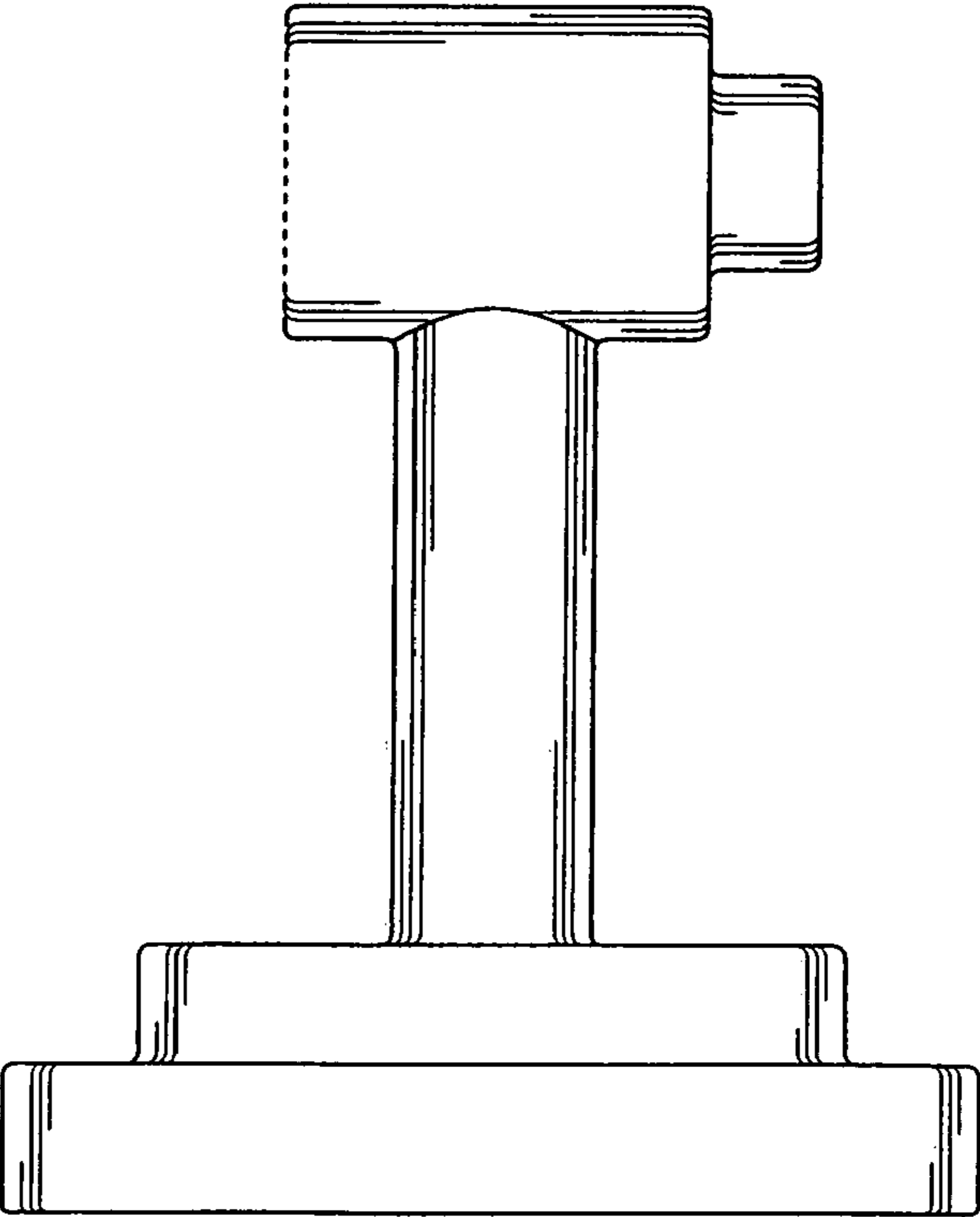


FIG. 7