



US00D552901S

(12) **United States Design Patent**
Wilfong, Jr. et al.

(10) **Patent No.:** **US D552,901 S**

(45) **Date of Patent:** **** Oct. 16, 2007**

(54) **RACK SYSTEM**

(75) Inventors: **Harry B. Wilfong, Jr.**, Hartsville, SC (US); **Jeff Zhang**, Shanghai (CN)

(73) Assignee: **Hilex Poly Co., LLC**, Hartsville, SC (US)

(**) Term: **14 Years**

(21) Appl. No.: **29/266,783**

(22) Filed: **Sep. 28, 2006**

(51) **LOC (8) Cl.** **20-02**

(52) **U.S. Cl.** **D6/515**

(58) **Field of Classification Search** D6/515,
D6/517, 566; D34/5; 248/100, 95
See application file for complete search history.

(56) **References Cited**

U.S. PATENT DOCUMENTS

D264,651 S *	6/1982	Adamson	D6/566
RE33,264 E	7/1990	Baxley et al.	
5,074,674 A	12/1991	Kuklies et al.	
5,188,235 A	2/1993	Pierce et al.	
5,269,605 A	12/1993	Nguyen	
5,335,788 A	8/1994	Beasley et al.	
5,346,310 A	9/1994	Nguyen	
5,465,846 A	11/1995	Blyth et al.	
5,467,572 A	11/1995	Wile et al.	
D367,139 S *	2/1996	Brown	D34/5
5,667,173 A	9/1997	Wilfong, Jr. et al.	
5,845,779 A	12/1998	Wilfong, Jr. et al.	
D423,841 S *	5/2000	Kerr et al.	D6/515
6,154,135 A	11/2000	Kane et al.	
6,894,232 B2	5/2005	Waggoner et al.	
7,066,389 B2	6/2006	Dickover et al.	

OTHER PUBLICATIONS

Website: <http://www.hilexypoly.com/products.htm>; "QuickMate EZ"; p. 1 of 2; Jan. 30, 2007.

* cited by examiner

Primary Examiner—Brian N Vinson

(74) *Attorney, Agent, or Firm*—DLA Piper US LLP

(57) **CLAIM**

The ornamental design for a rack system, as shown.

DESCRIPTION

FIG. 1 is a front isometric view of a rack system according to the new design.

FIG. 2 is a front elevational view of a rack system according to the new design.

FIG. 3 is a rear elevational view of a rack system according to the new design.

FIG. 4 is a right side elevational view of a rack system according to the new design.

FIG. 5 is a left side elevational view of a rack system according to the new design.

FIG. 6 is a top plan view of a rack system according to the new design.

FIG. 7 is a bottom elevational view of a rack system according to the new design.

FIG. 8 is a front isometric view of a rack system according to an alternative new design.

FIG. 9 is a front elevational view of a rack system according to an alternative new design.

FIG. 10 is a rear elevational view of a rack system according to an alternative new design.

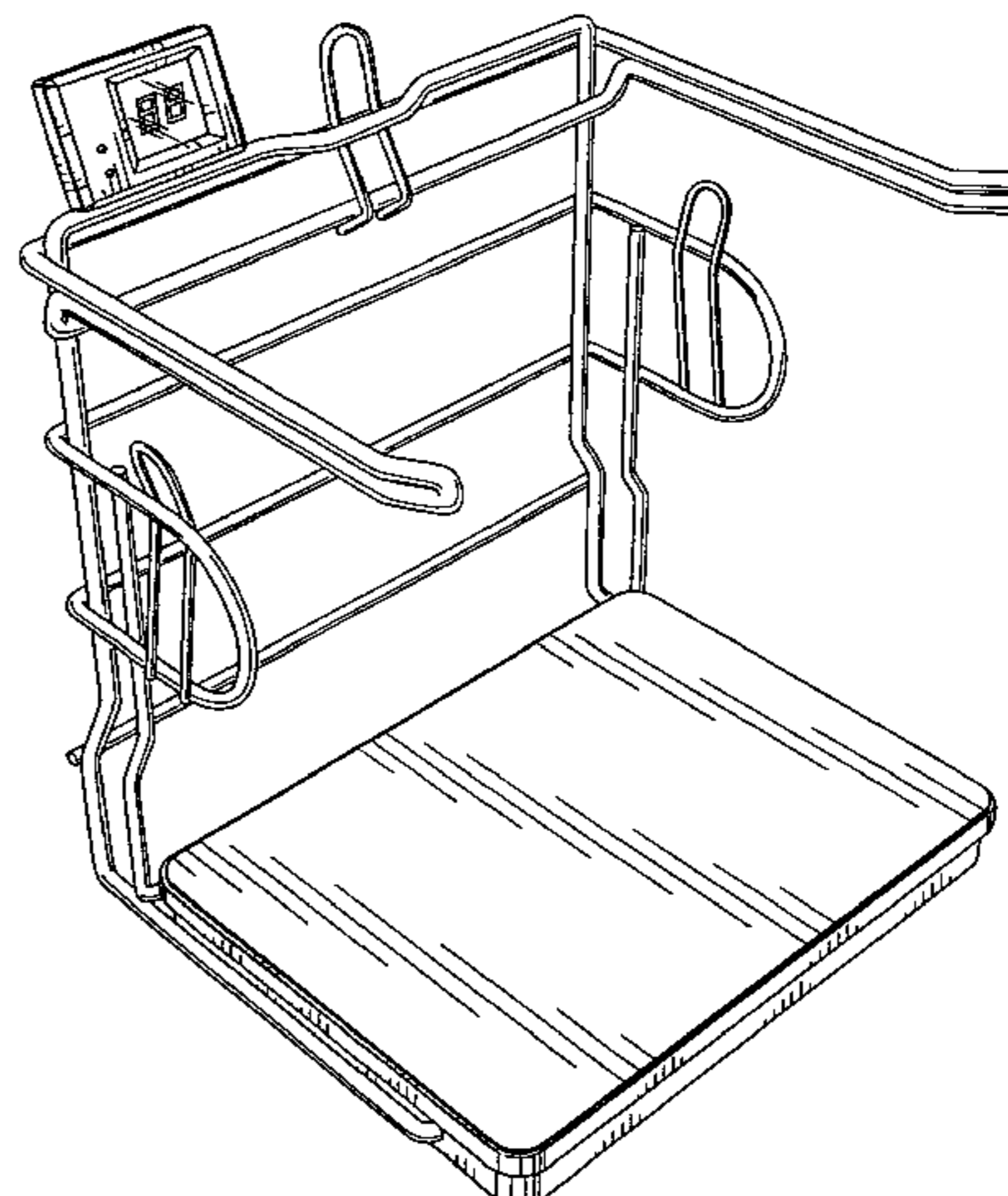
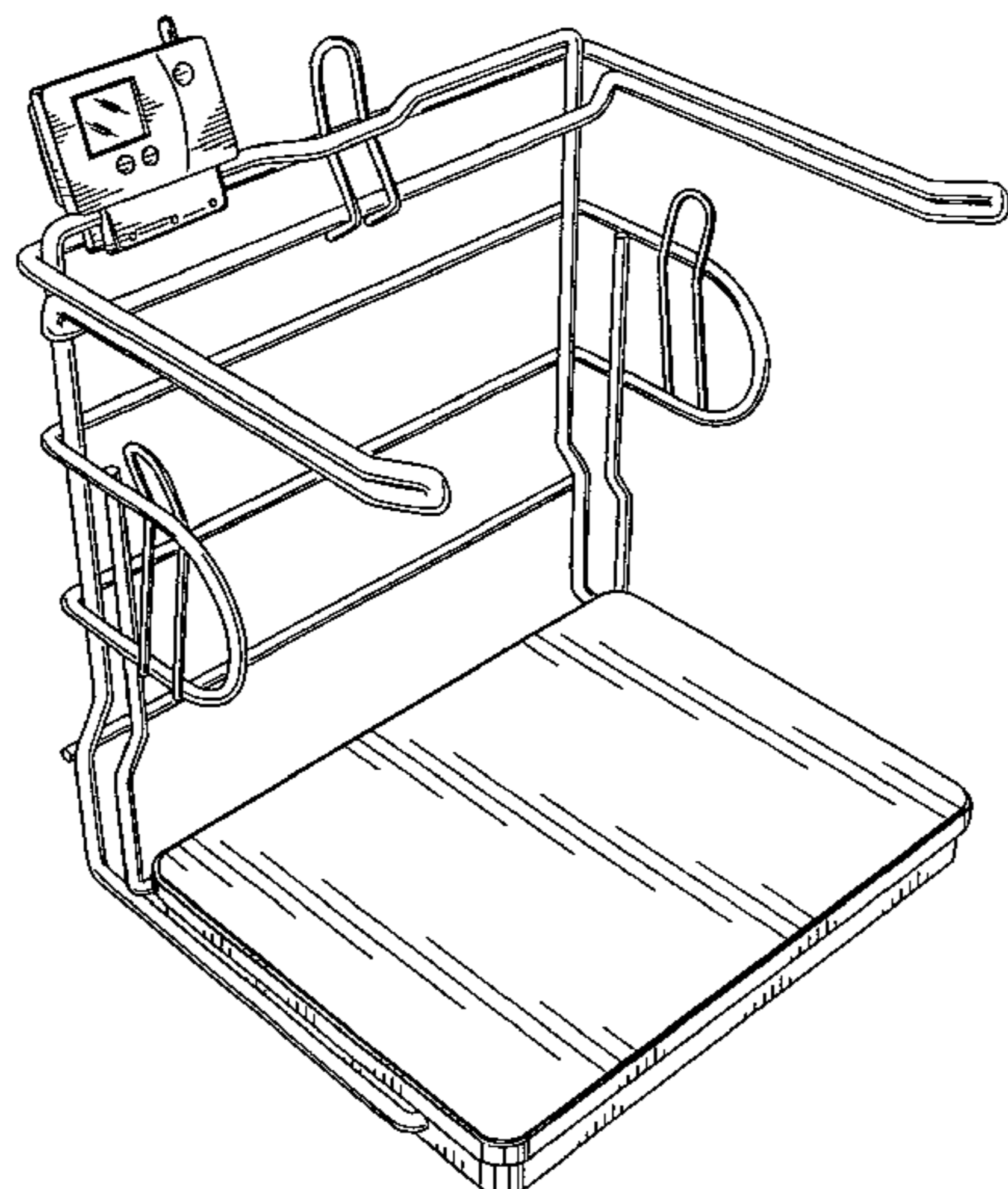
FIG. 11 is a right side elevational view of a rack system according to an alternative new design.

FIG. 12 is a left side elevational view of a rack system according to an alternative new design.

FIG. 13 is a top plan view of a rack system according to an alternative new design; and,

FIG. 14 is a bottom elevational view of a rack system according to an alternative new design.

1 Claim, 8 Drawing Sheets



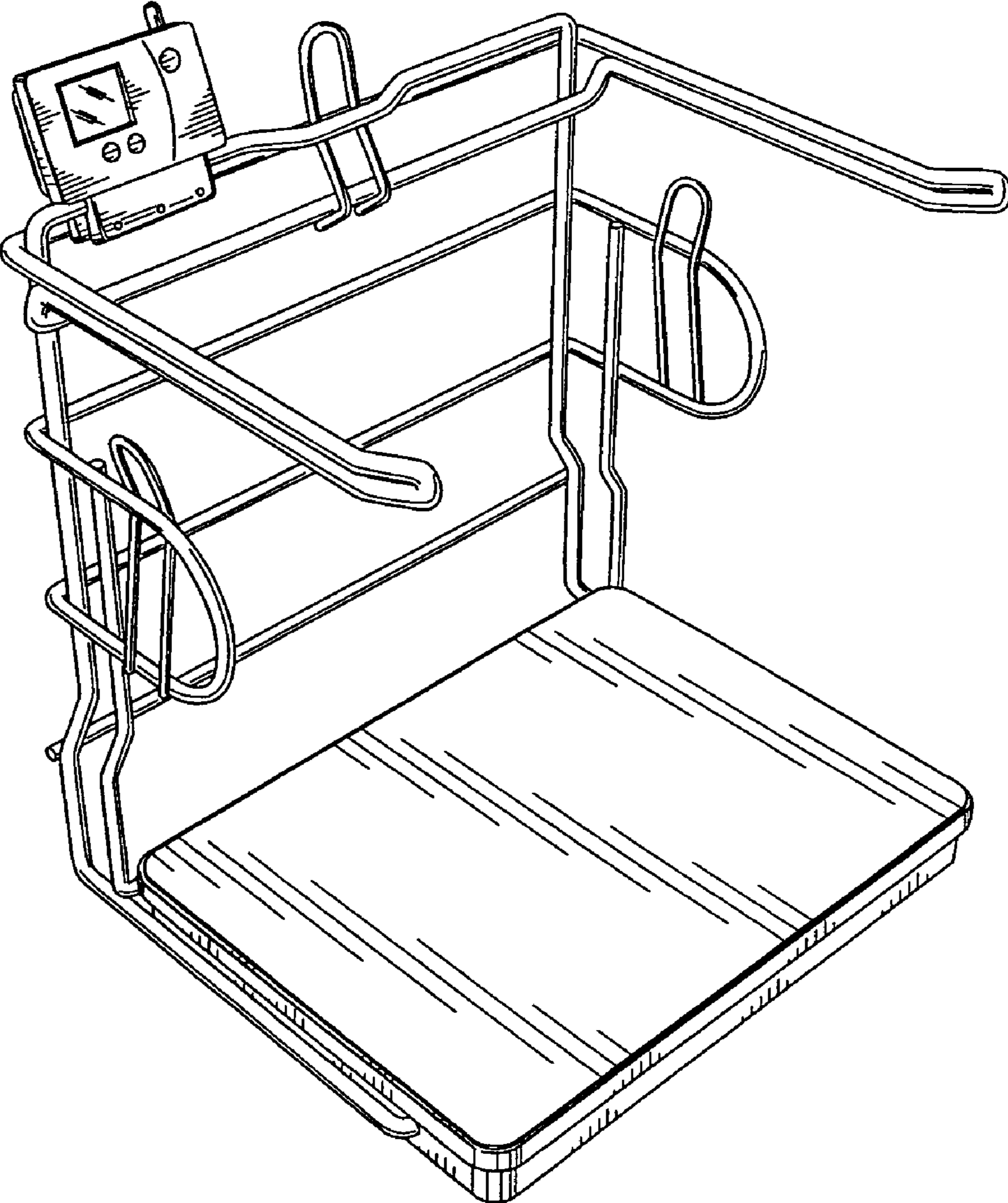


FIG. 1

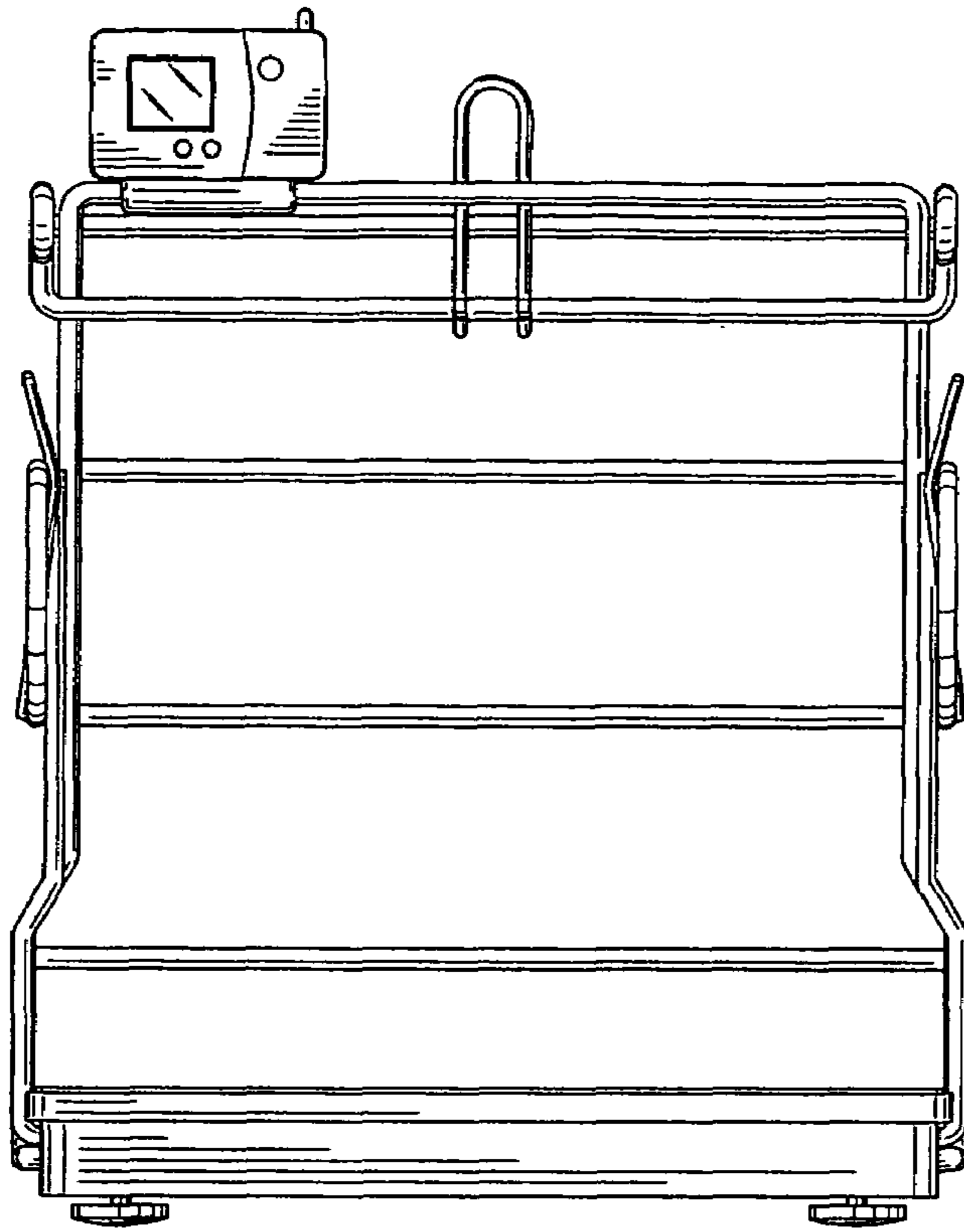


FIG. 2

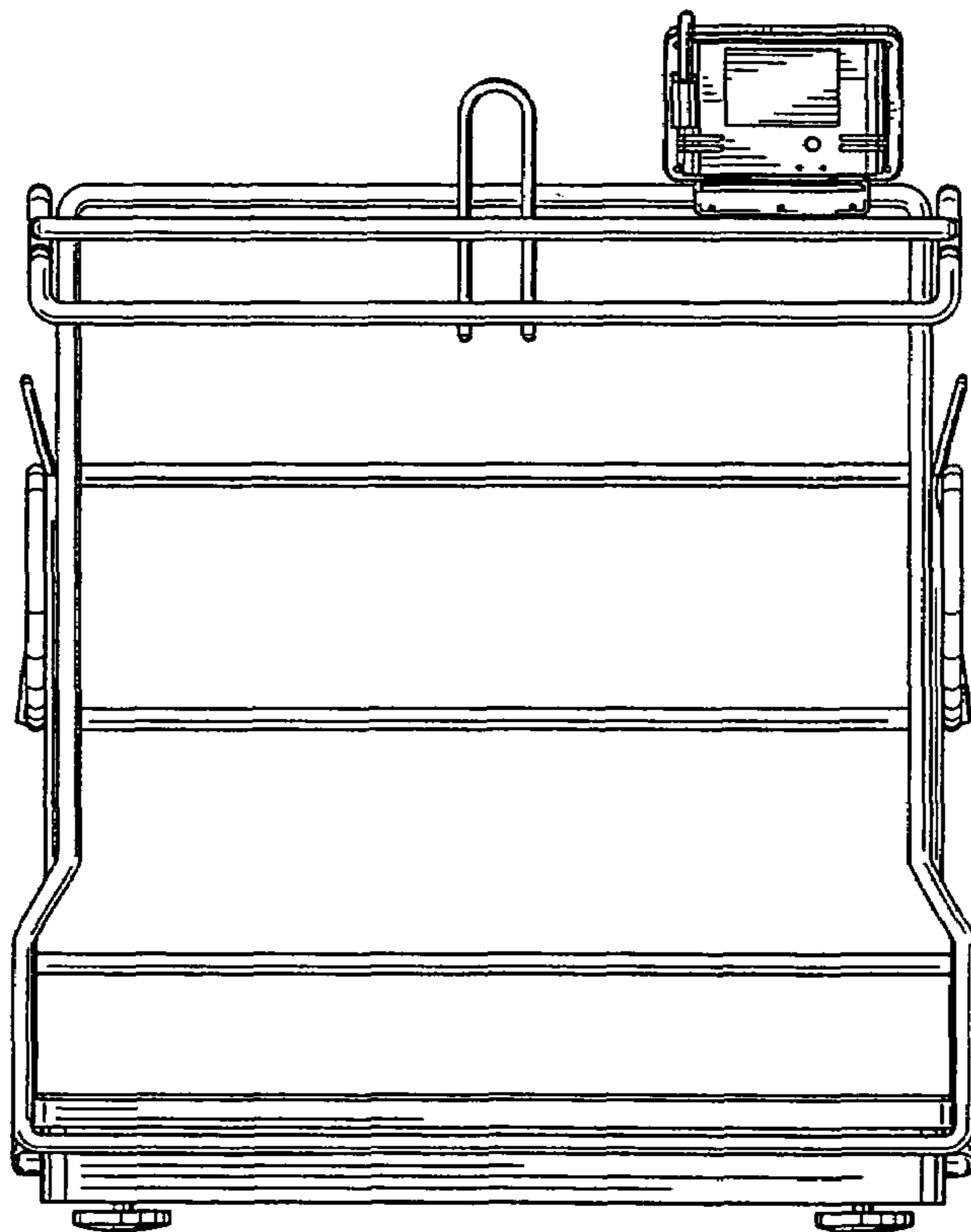


FIG. 3

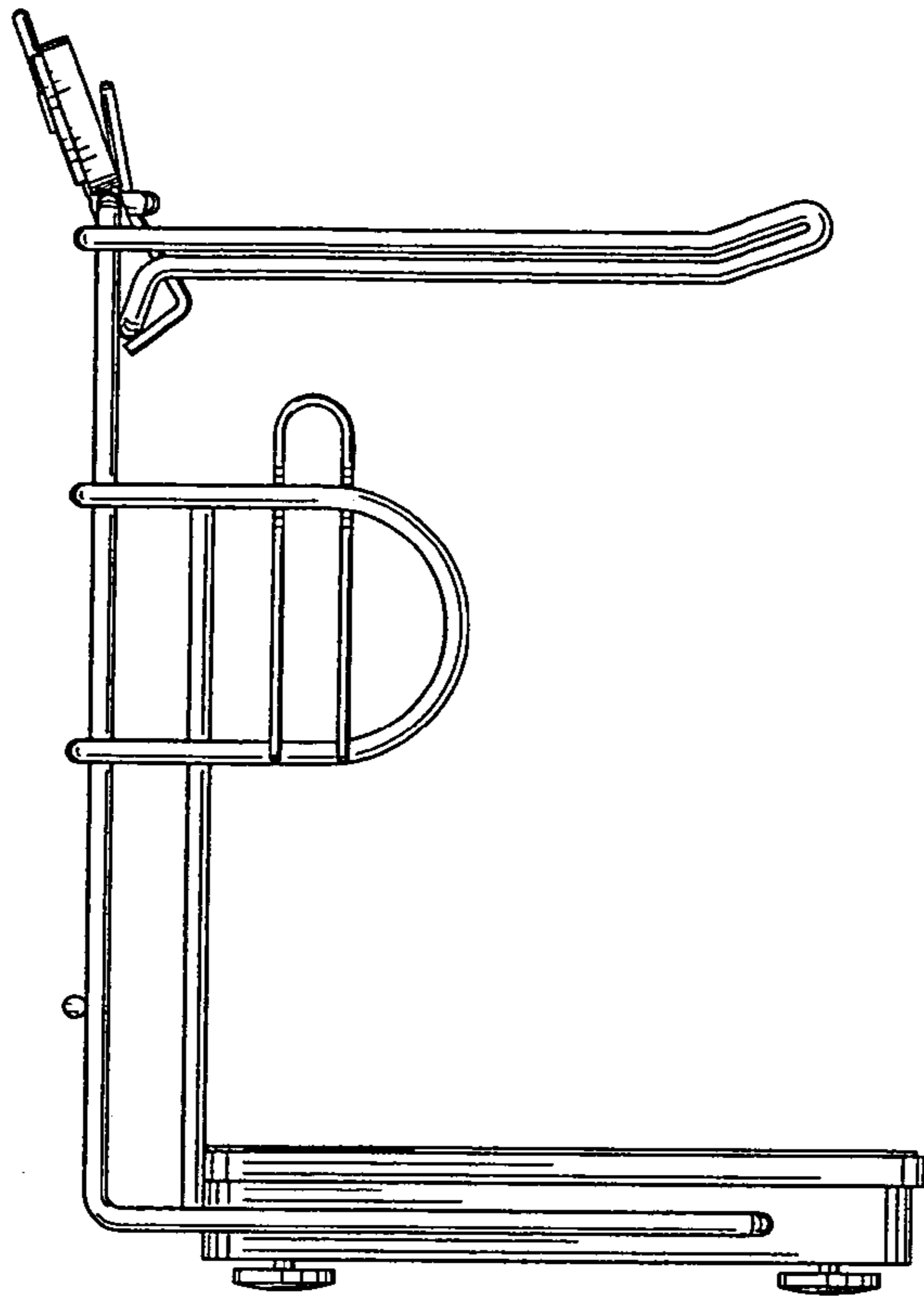


FIG. 4

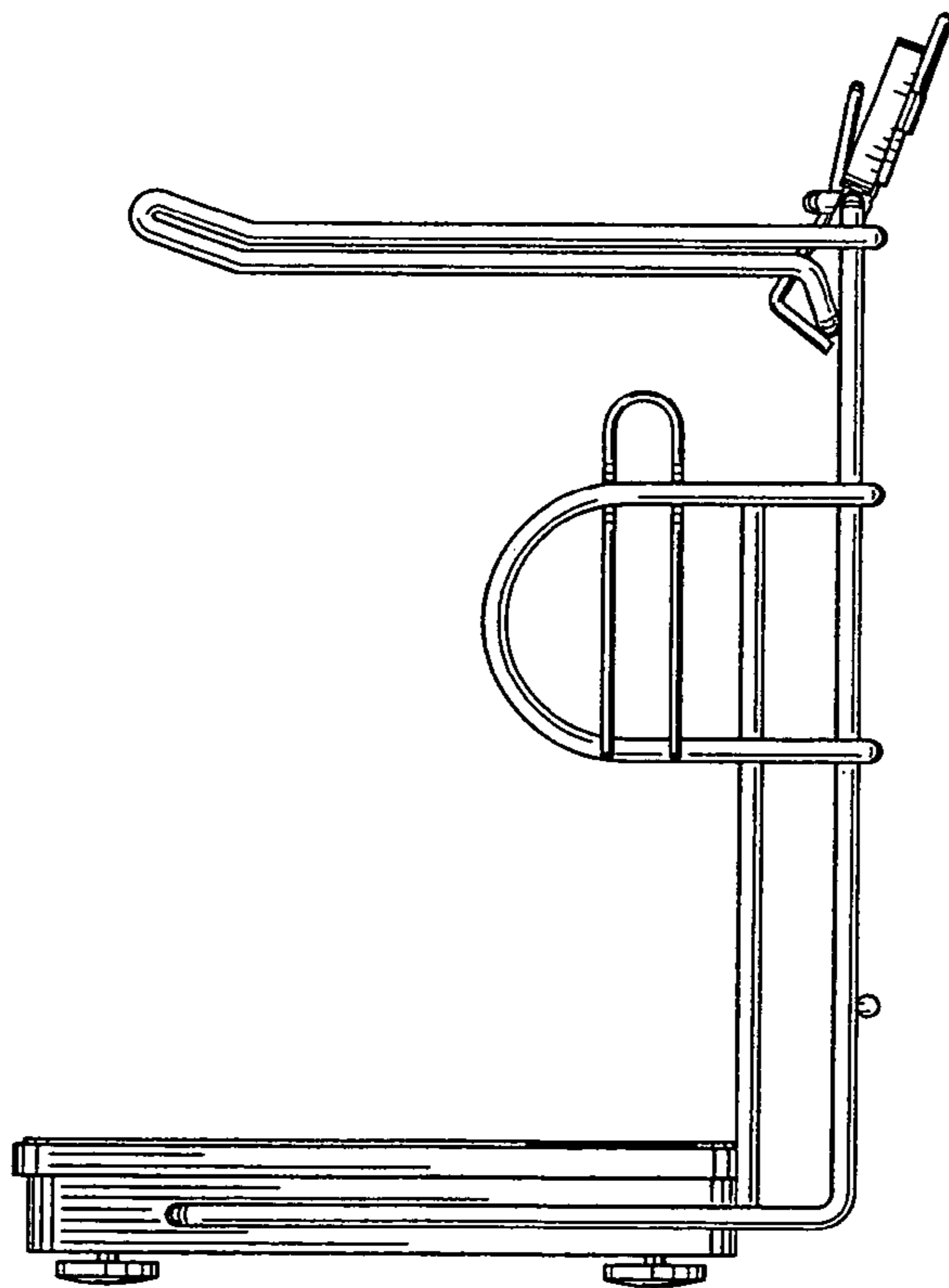


FIG. 5

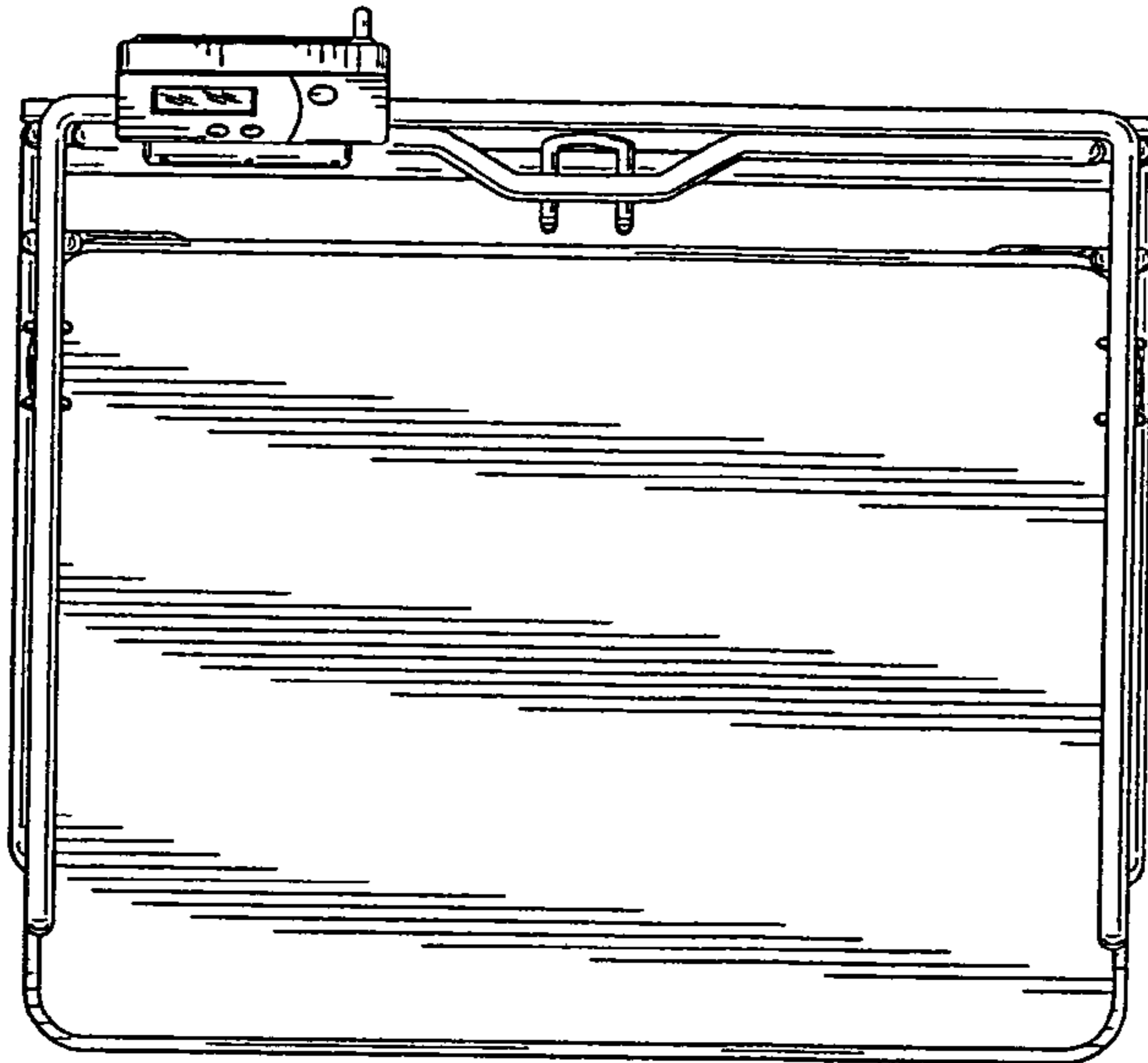


FIG. 6

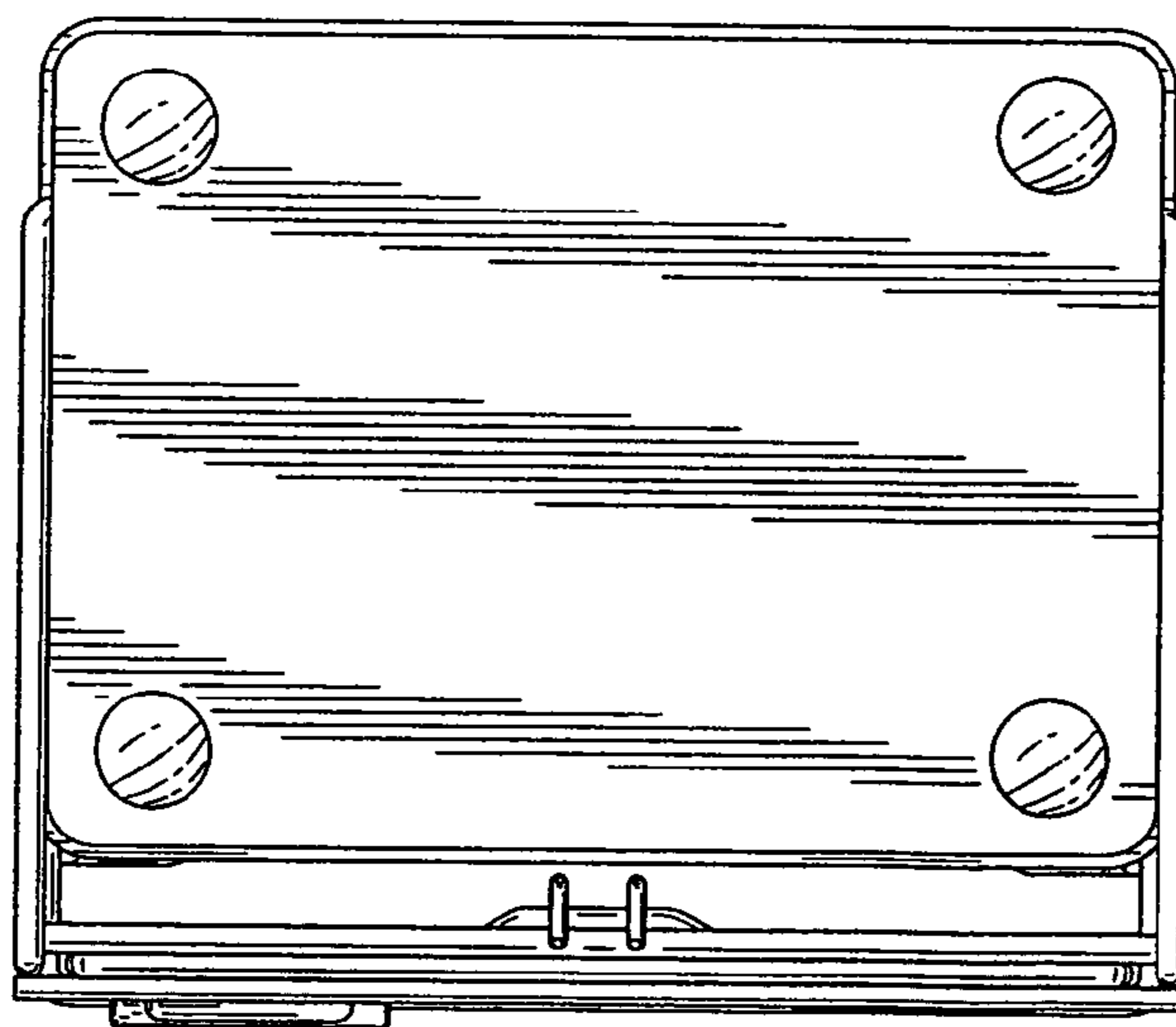


FIG. 7

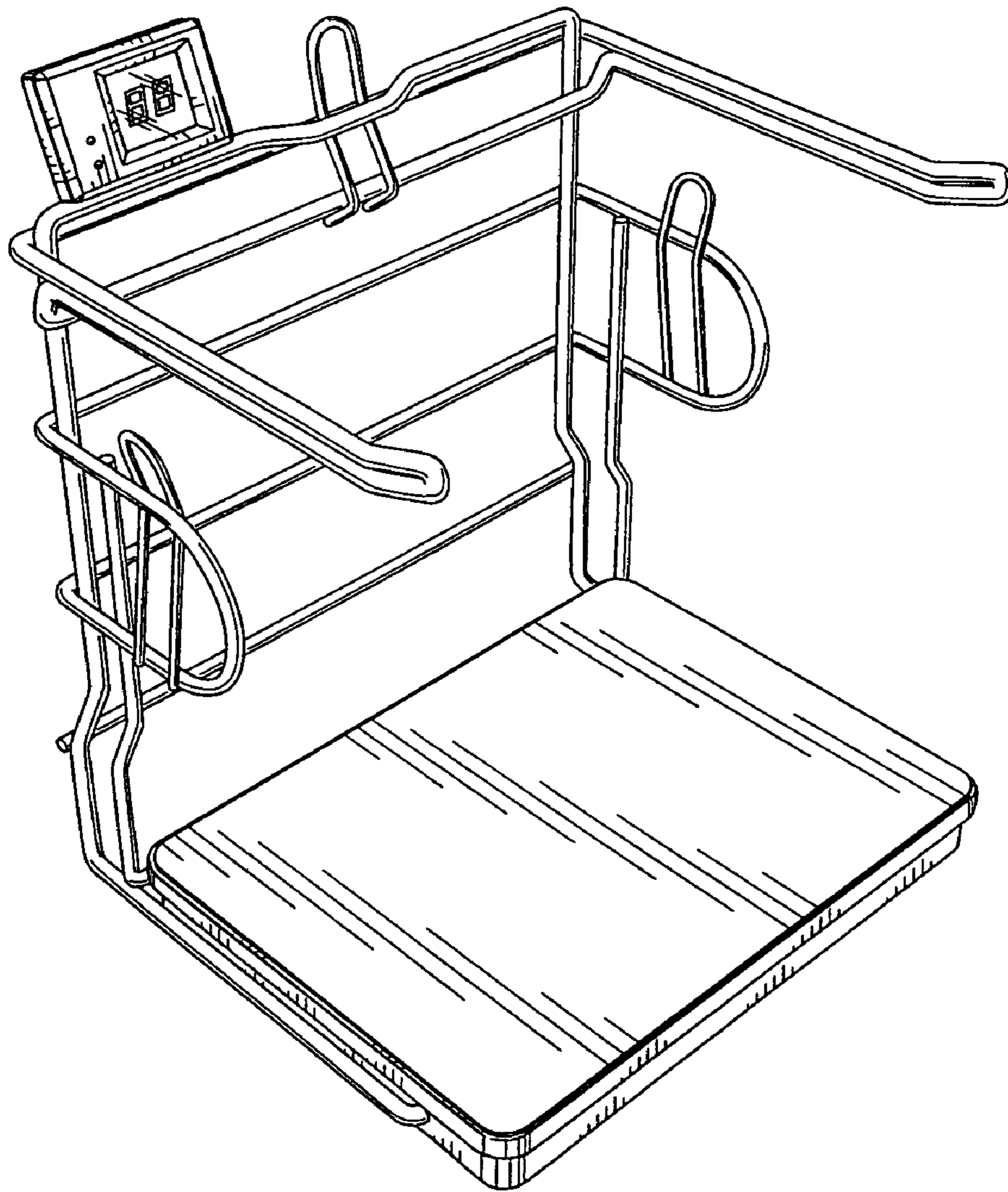


FIG. 8

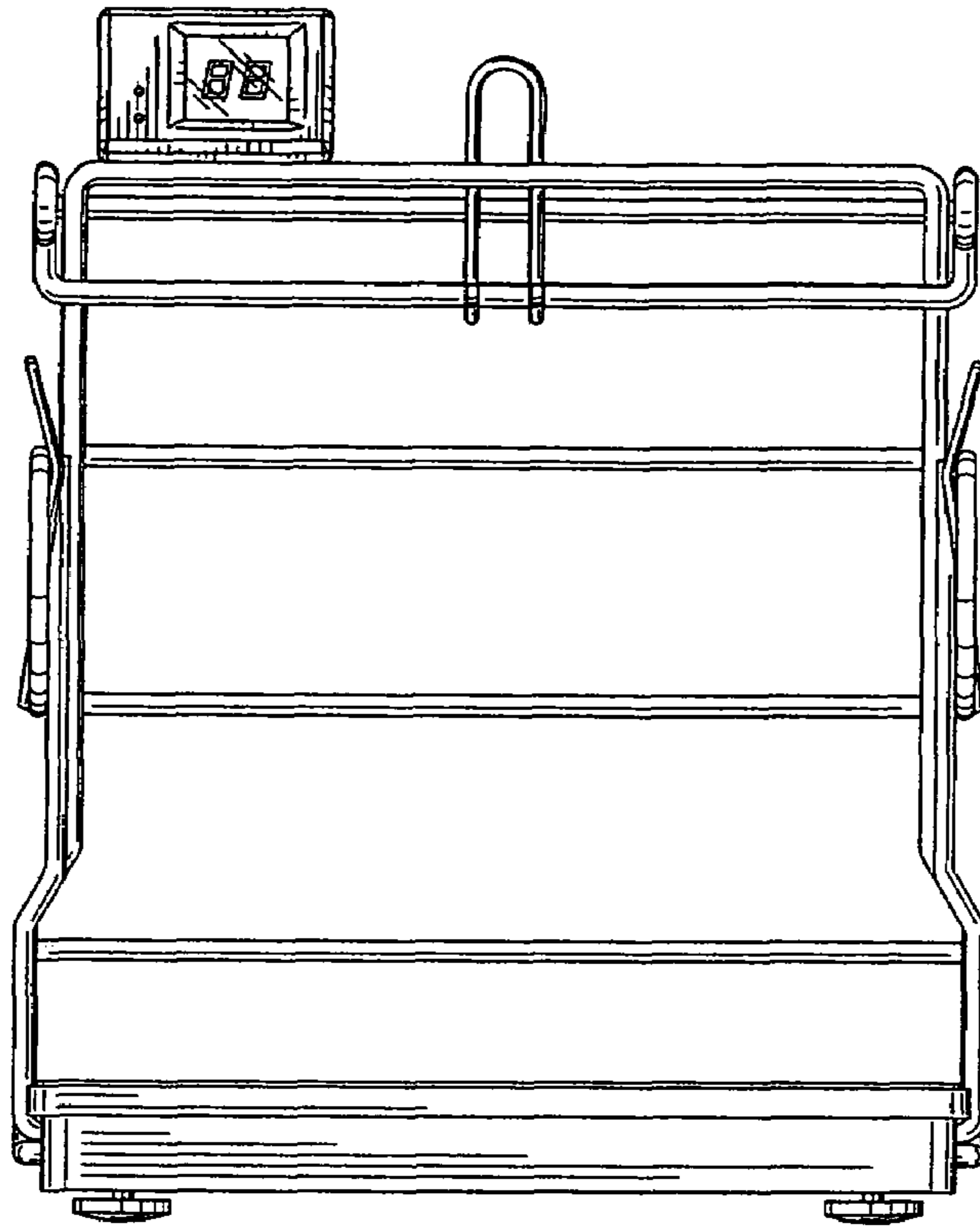


FIG. 9

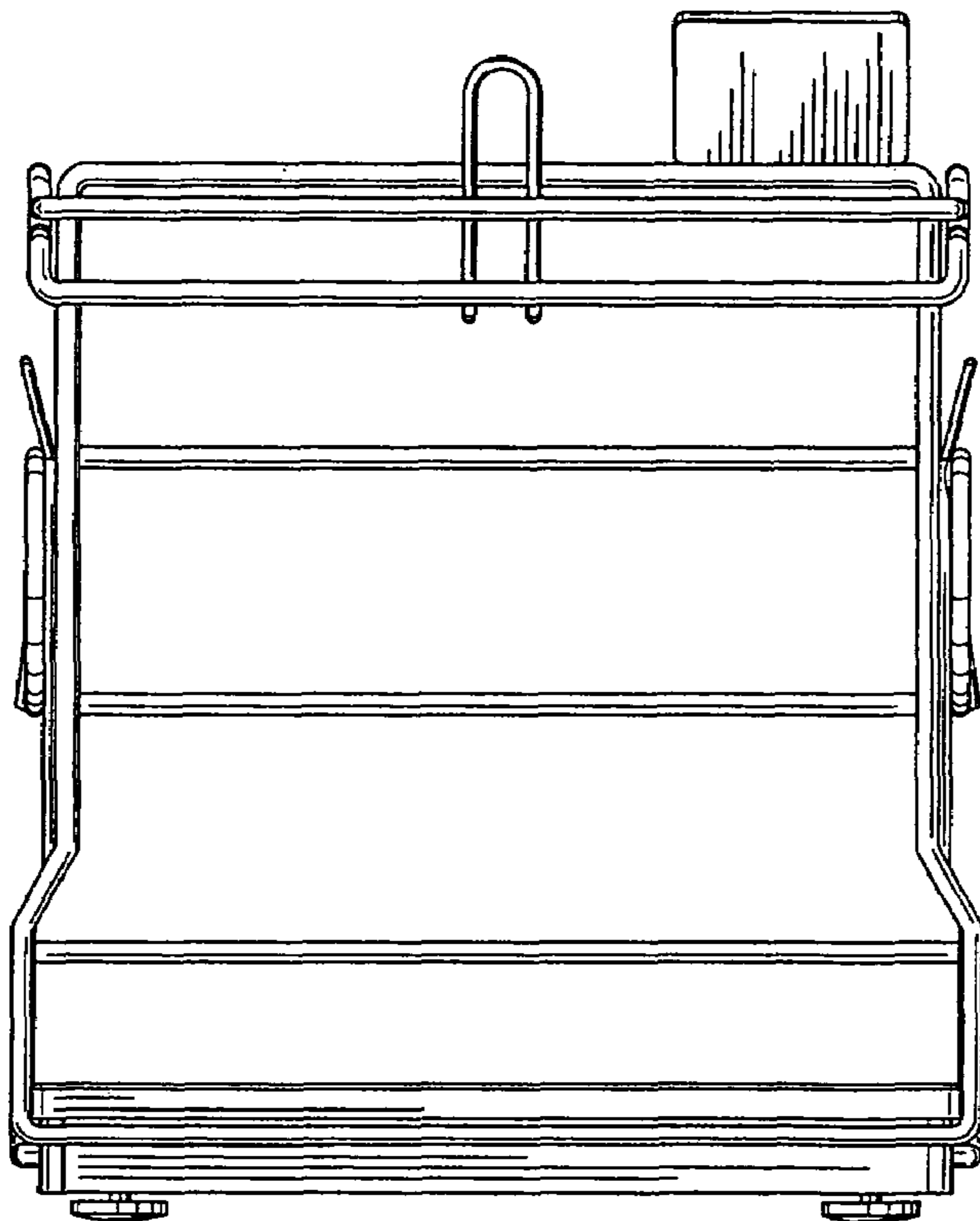


FIG. 10

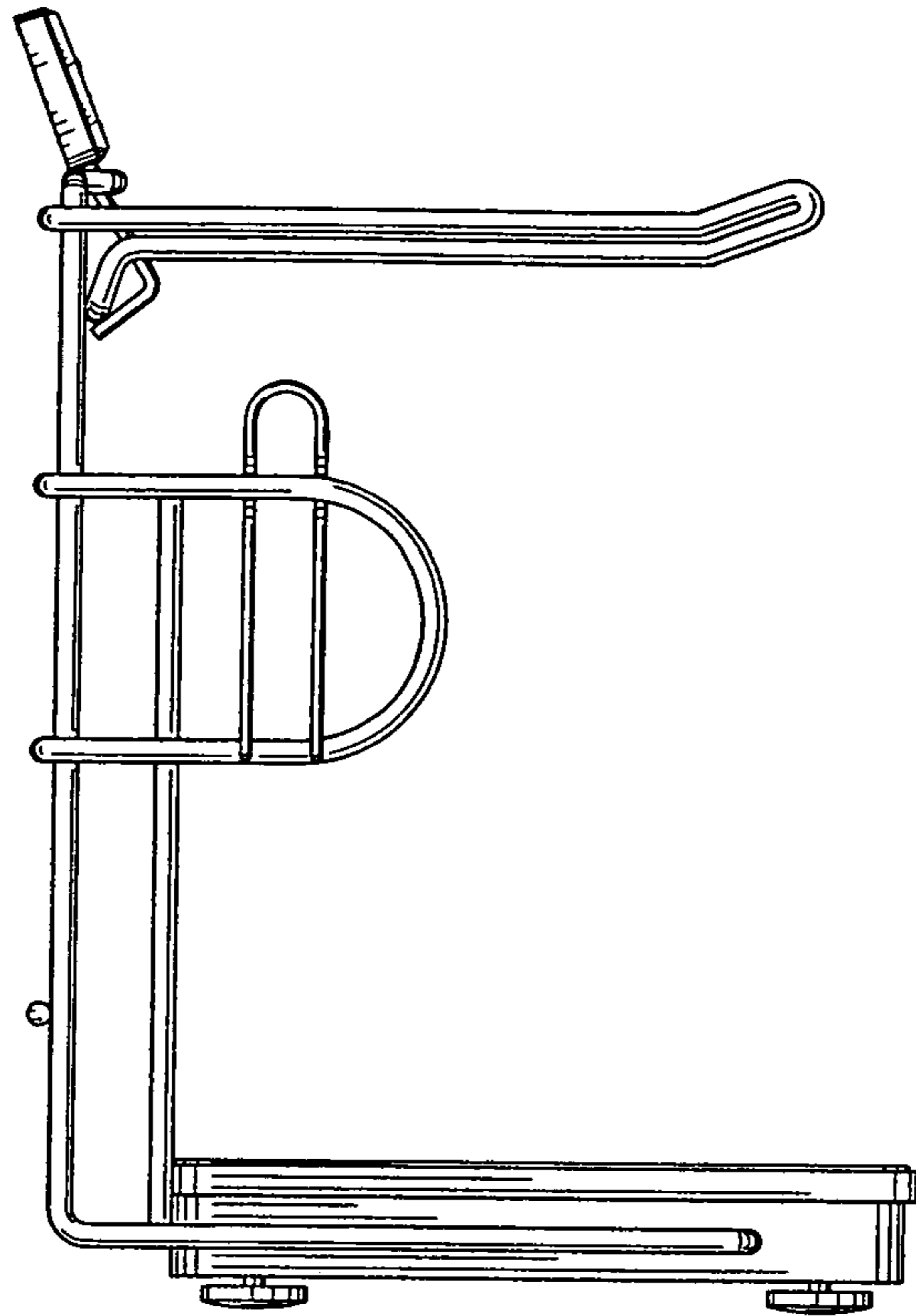


FIG. 11

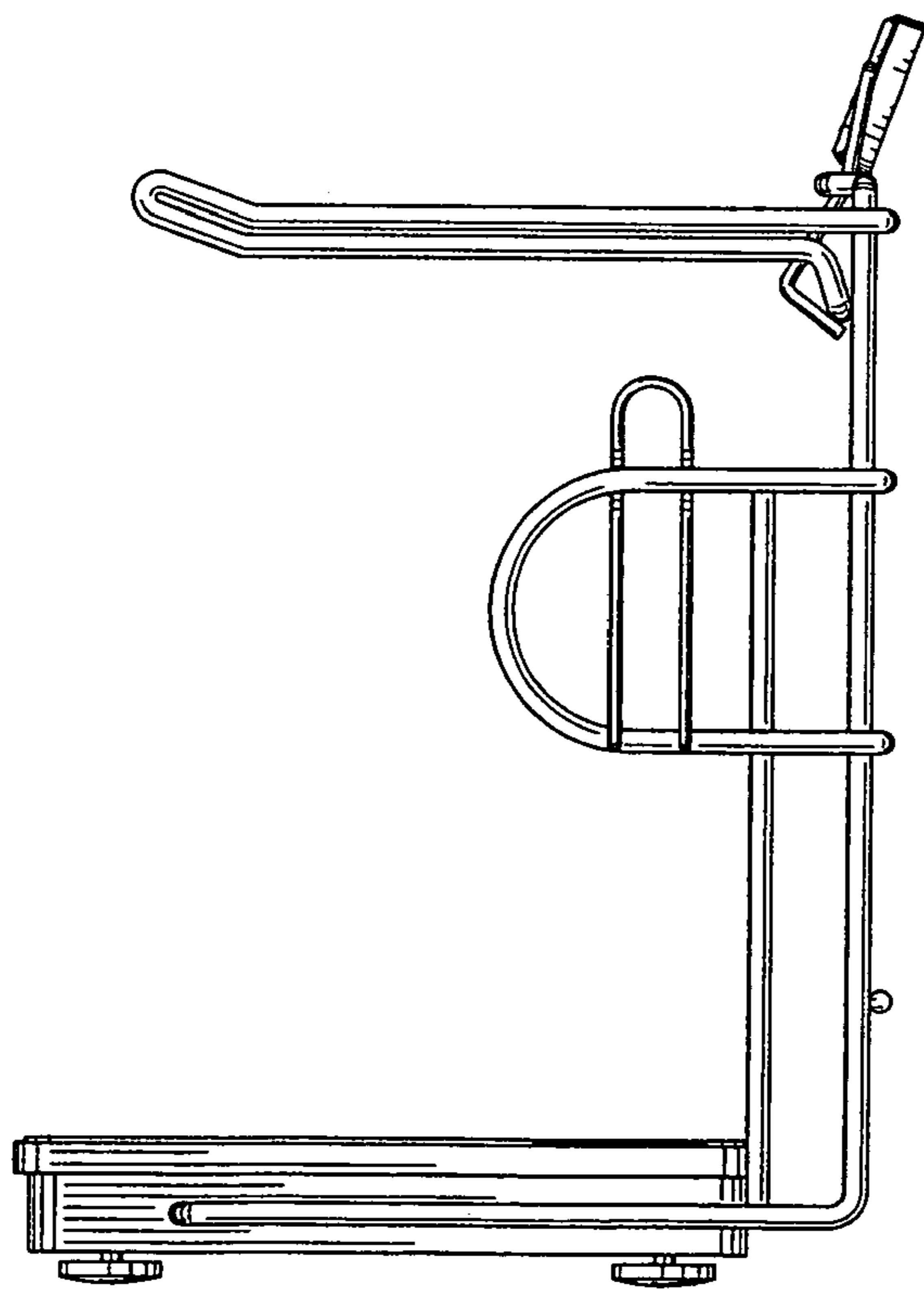


FIG. 12

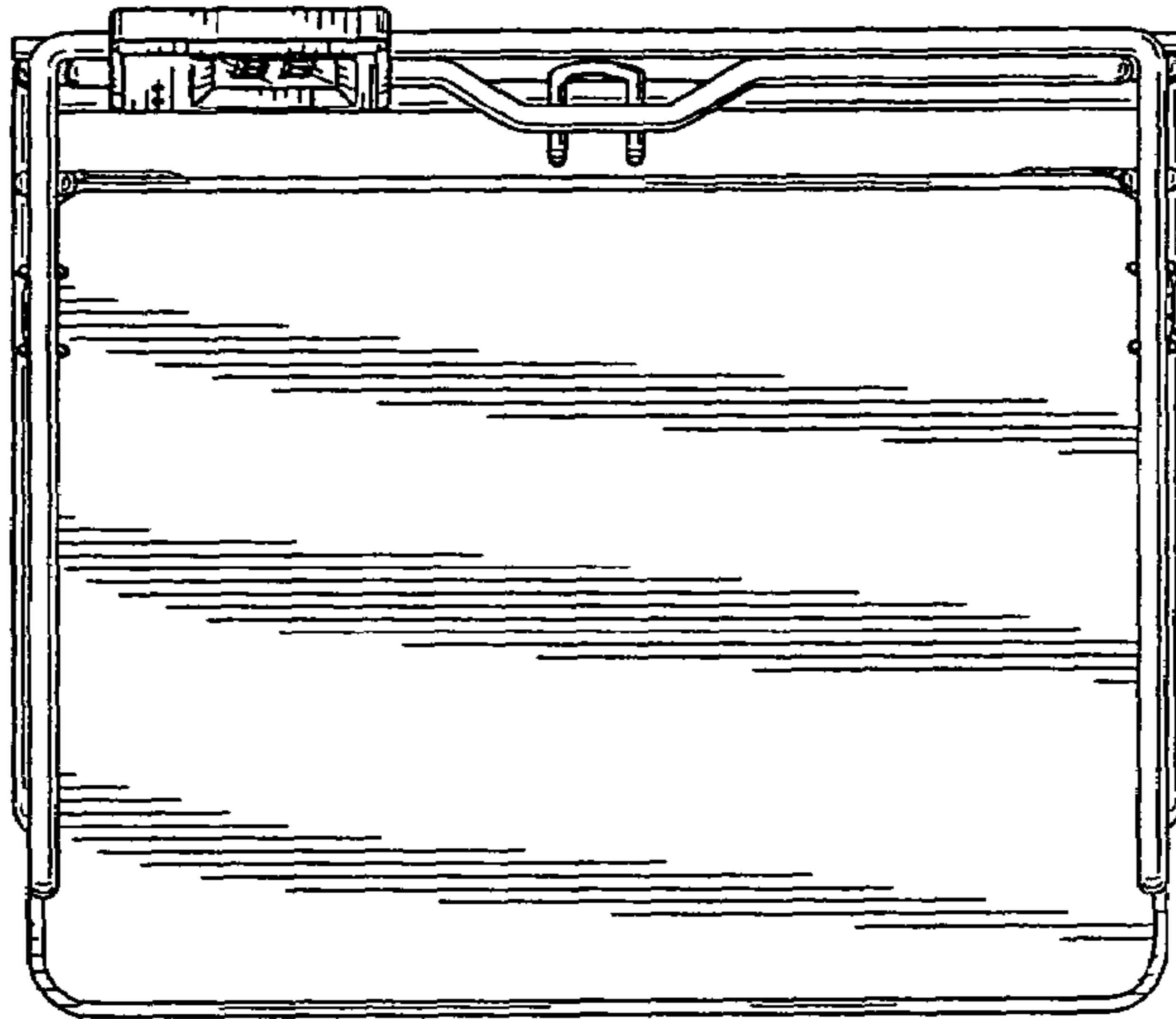


FIG. 13

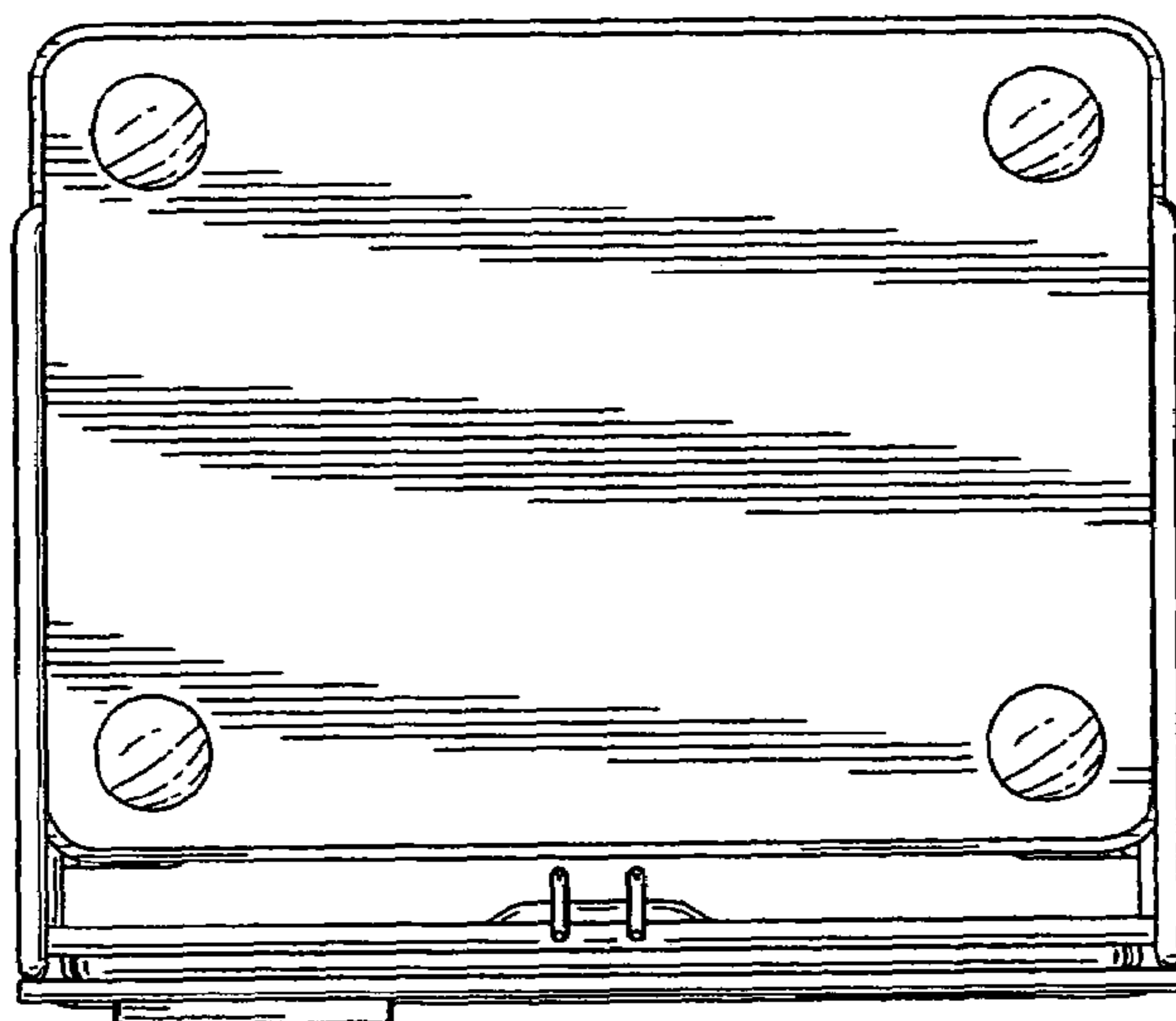


FIG. 14