



US00D552898S

(12) **United States Design Patent**  
**Wei**

(10) **Patent No.:** **US D552,898 S**

(45) **Date of Patent:** **\*\* Oct. 16, 2007**

(54) **CHAIR FOOTRING**

(75) Inventor: **Chen Wei**, Shenzhen (CN)

(73) Assignee: **Atico International USA, Inc.**, Fort Lauderdale, FL (US)

(\*\*) Term: **14 Years**

(21) Appl. No.: **29/272,101**

(22) Filed: **Feb. 1, 2007**

(51) **LOC (8) Cl.** ..... **06-06**

(52) **U.S. Cl.** ..... **D6/500; D6/375**

(58) **Field of Classification Search** ..... D6/334-336,  
D6/340, 349, 351-354, 360, 364, 365-367,  
D6/495, 498, 500-502; 297/195.1, 195.11,  
297/451.4, 451.5, 423.38, 344.18, 344.19,  
297/452.46; 248/188.1, 188.8

See application file for complete search history.

(56) **References Cited**

**U.S. PATENT DOCUMENTS**

370,081	A	*	9/1887	Ocorr	.....	297/452.46
D215,429	S	*	9/1969	N/A	.....	D6/360
D257,473	S	*	11/1980	Wilson	.....	D6/360
D274,865	S	*	7/1984	Murry	.....	D6/360
D287,197	S	*	12/1986	Zakharov	.....	D6/360
4,645,081	A	*	2/1987	Korth	.....	297/344.18
D294,434	S	*	3/1988	Zakharov	.....	D6/360
D330,821	S	*	11/1992	Intardonato	.....	D6/495
D401,088	S	*	11/1998	Chen	.....	D6/498
5,988,754	A	*	11/1999	Lamart et al.	.....	297/423.38

D458,765	S	*	6/2002	Barbieri	.....	D6/367
D471,743	S	*	3/2003	Chen	.....	D6/500
D488,630	S	*	4/2004	McCann	.....	D6/366
D507,893	S	*	8/2005	Glass et al.	.....	D6/360
2004/0036333	A1	*	2/2004	Lin	.....	297/344.18
2006/0175518	A1	*	8/2006	Hu	.....	248/188.1

\* cited by examiner

*Primary Examiner*—Mimosa De

(74) *Attorney, Agent, or Firm*—Christopher & Weisberg, P.A.

(57) **CLAIM**

The ornamental design for a chair footring, as shown and described.

**DESCRIPTION**

FIG. 1 is top perspective view of a chair footring in accordance with the present invention;

FIG. 2 is a slightly reduced top view thereof;

FIG. 3 is a slightly reduced bottom view thereof;

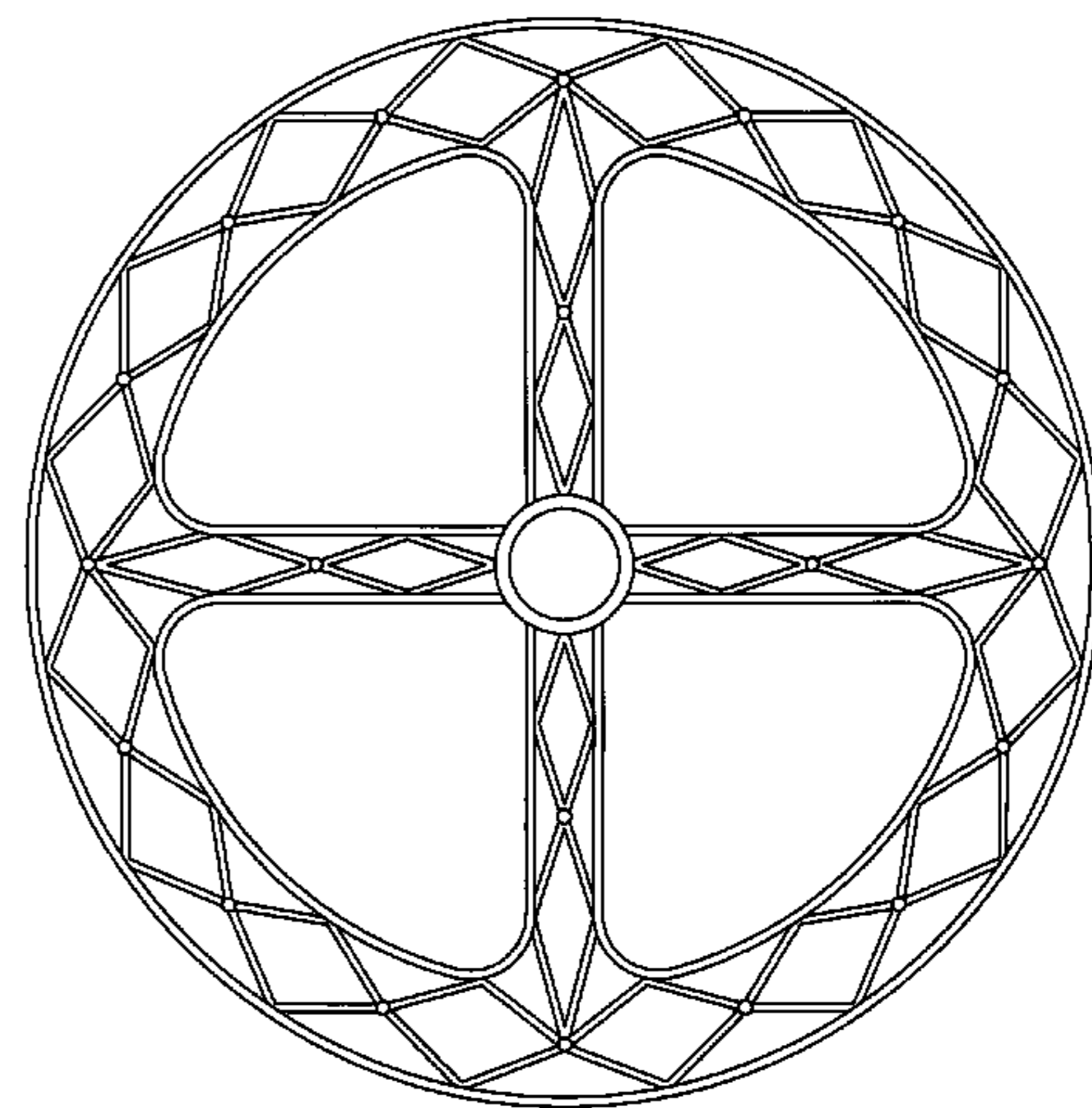
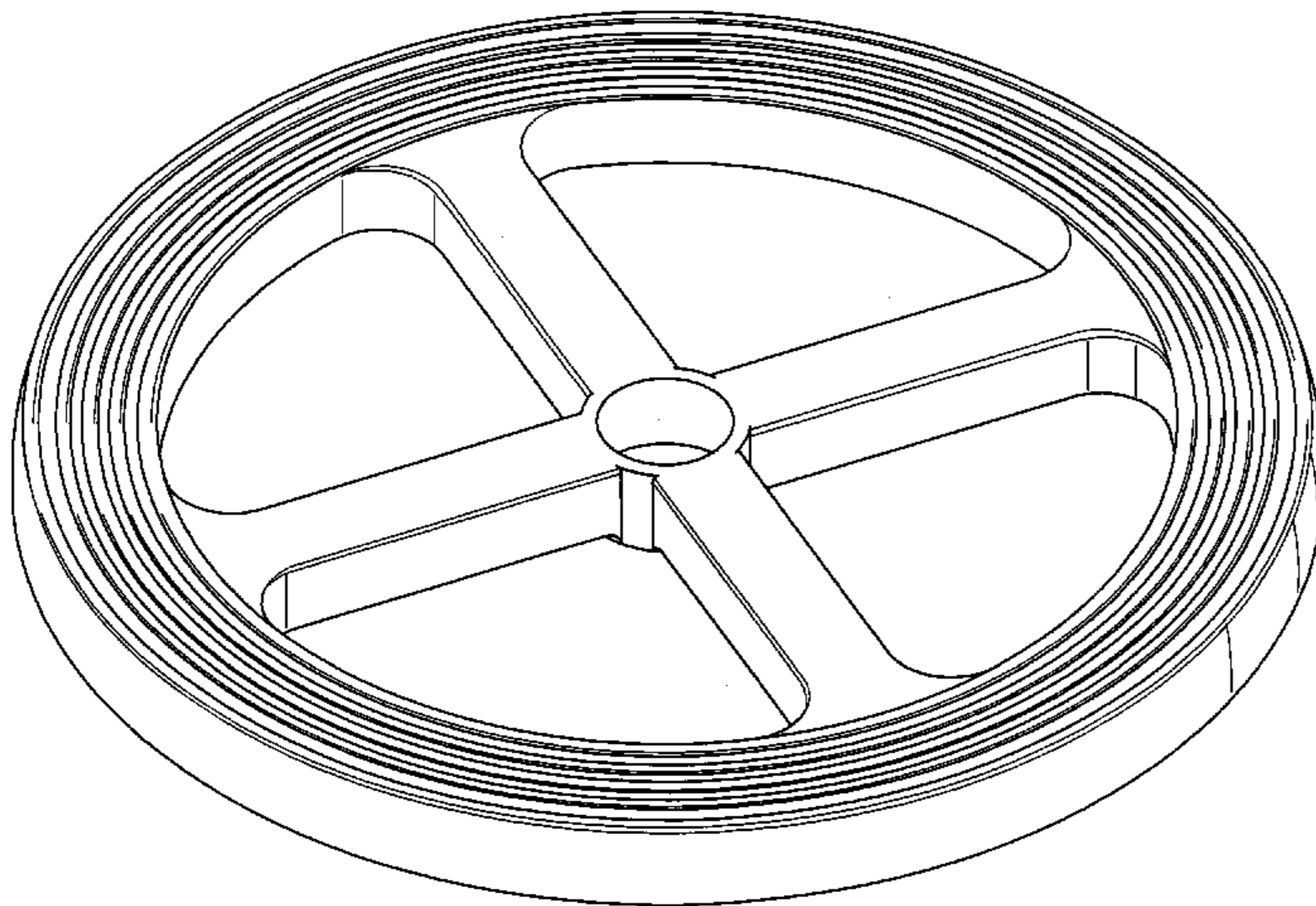
FIG. 4 is a slightly reduced front view thereof;

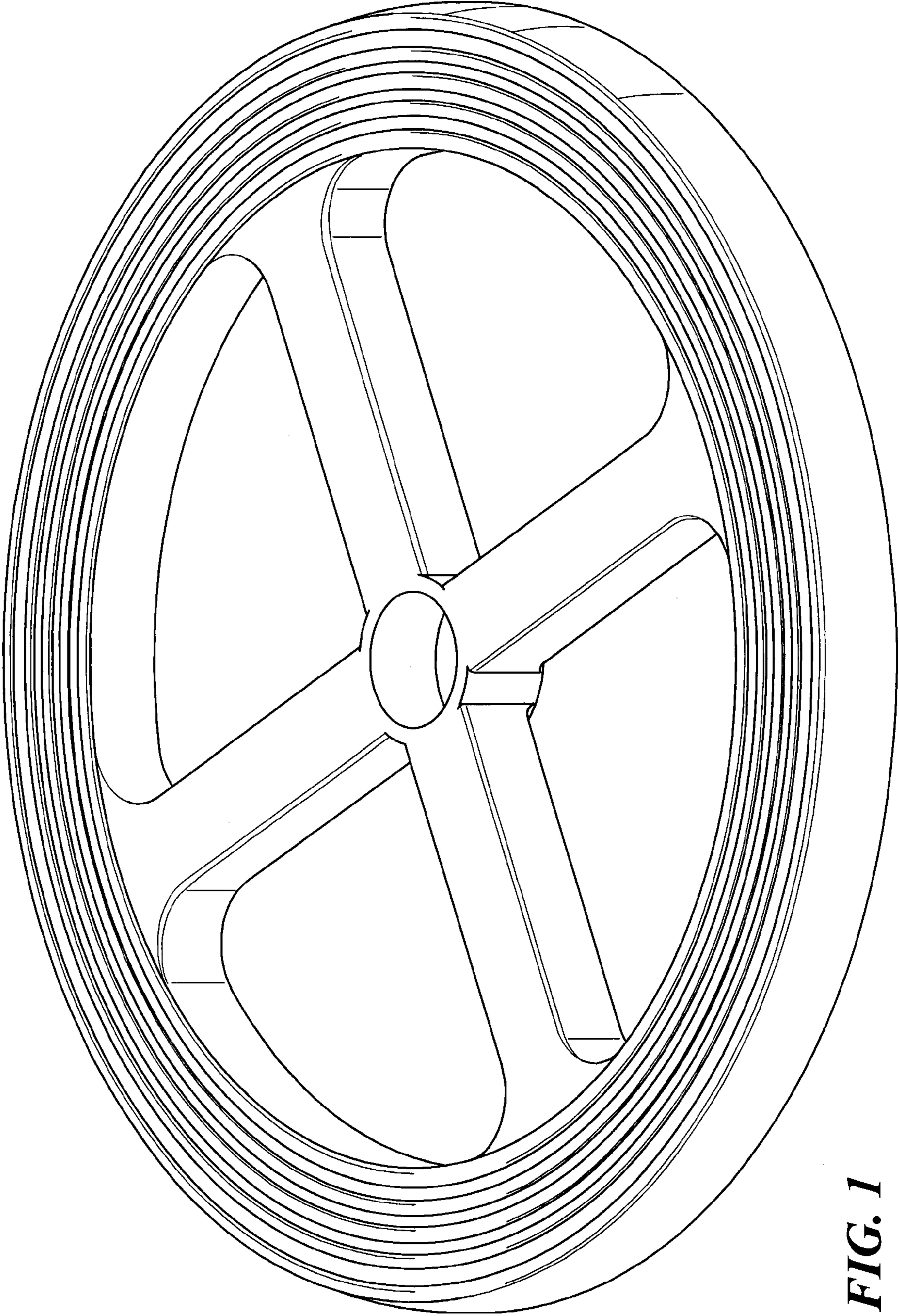
FIG. 5 is a slightly reduced left side view thereof; and,

FIG. 6 is a reduced perspective view of the chair footring in an assembled chair.

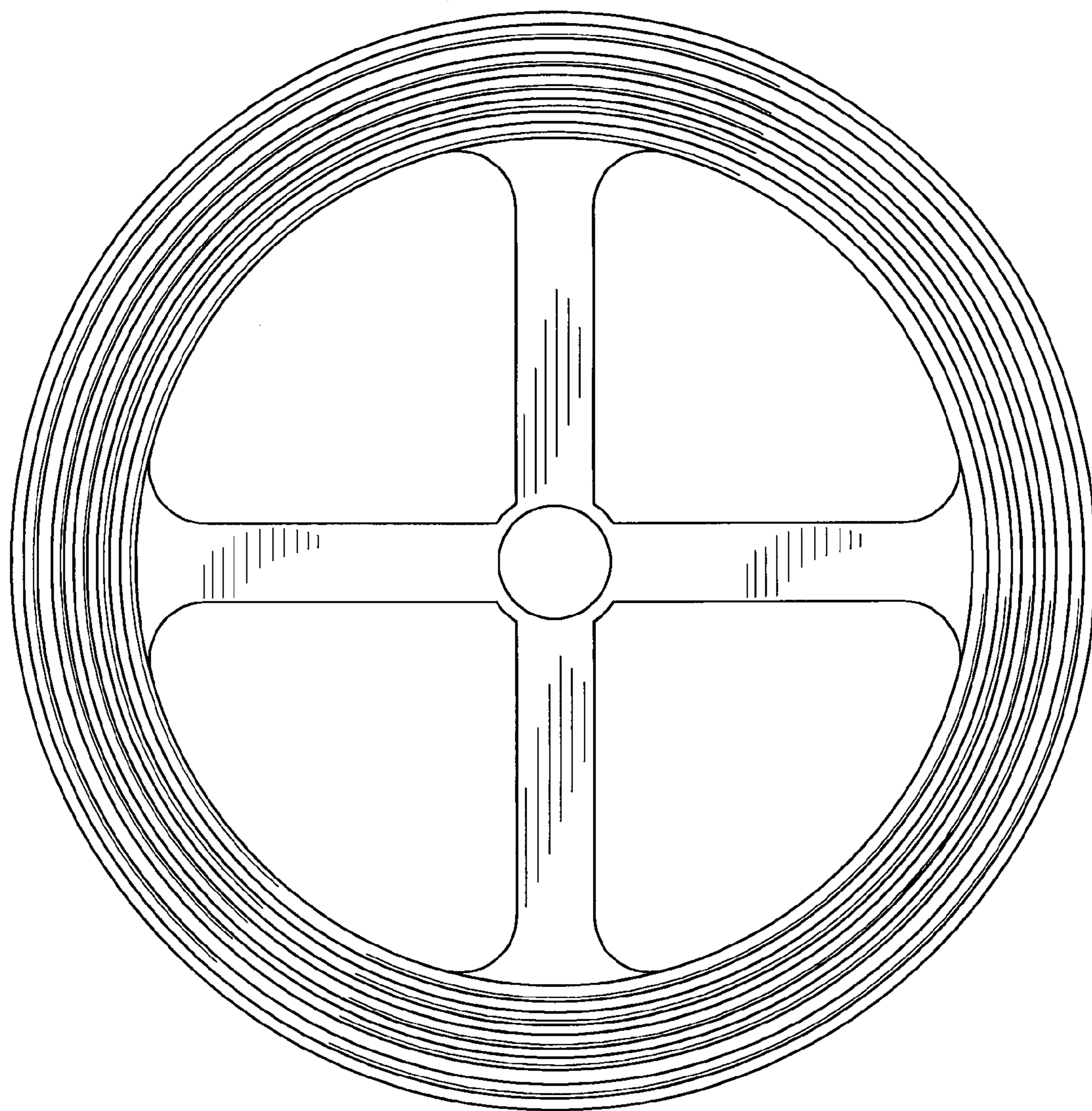
The broken lines shown in FIGS. 4, 5 and 6 are for illustrative purposes only and form no part of the claimed design.

**1 Claim, 5 Drawing Sheets**

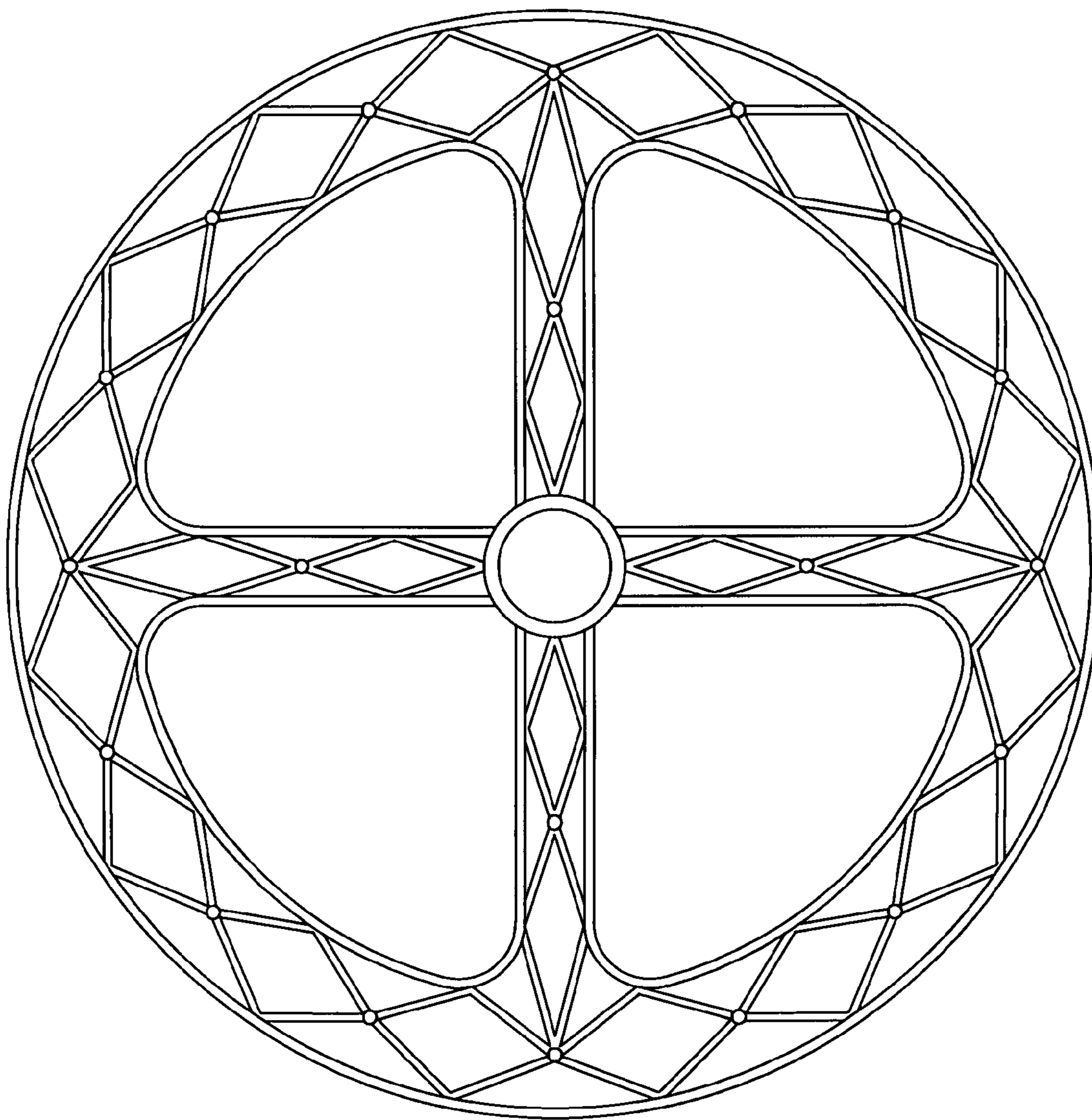




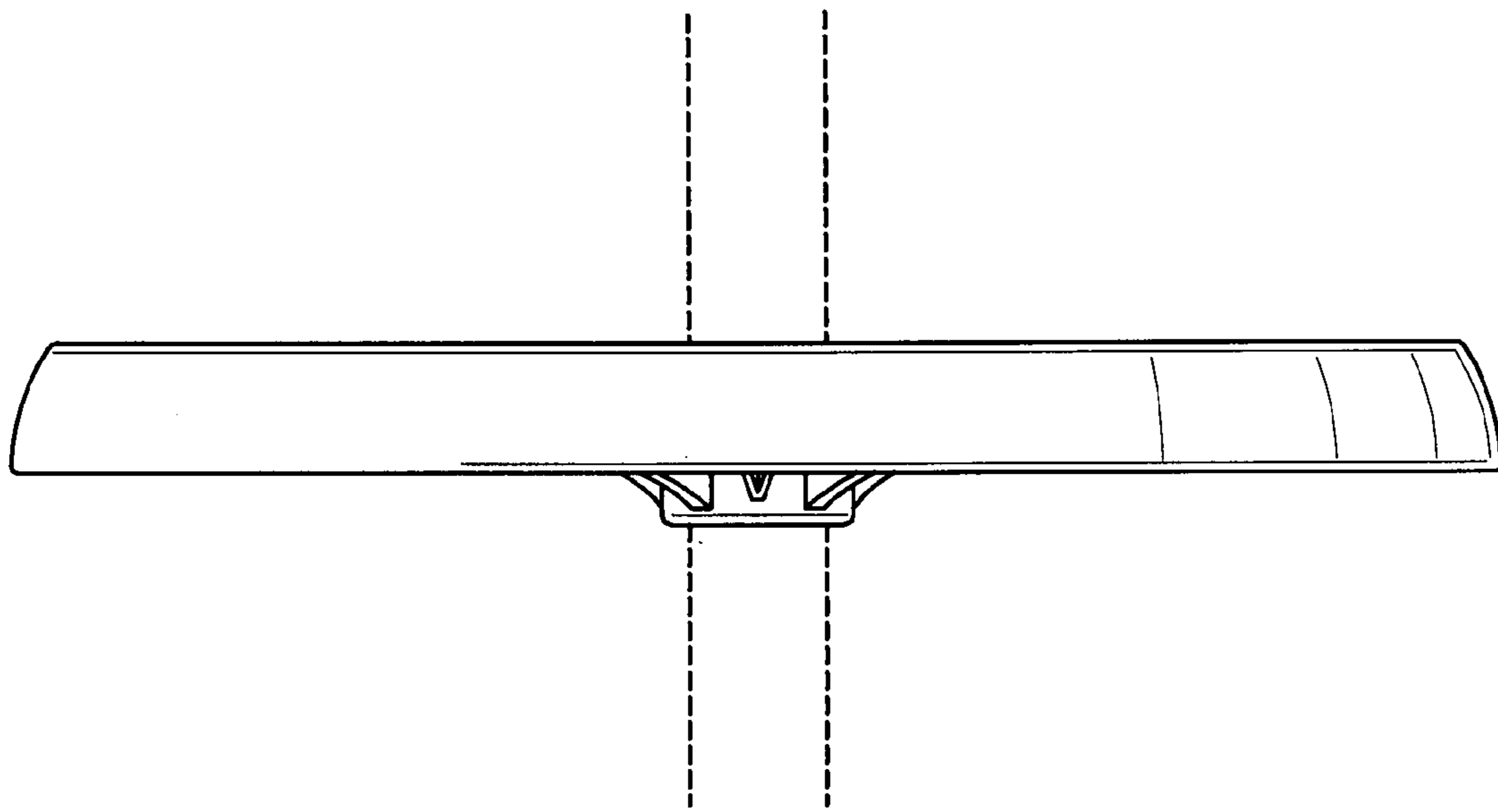
**FIG. 1**



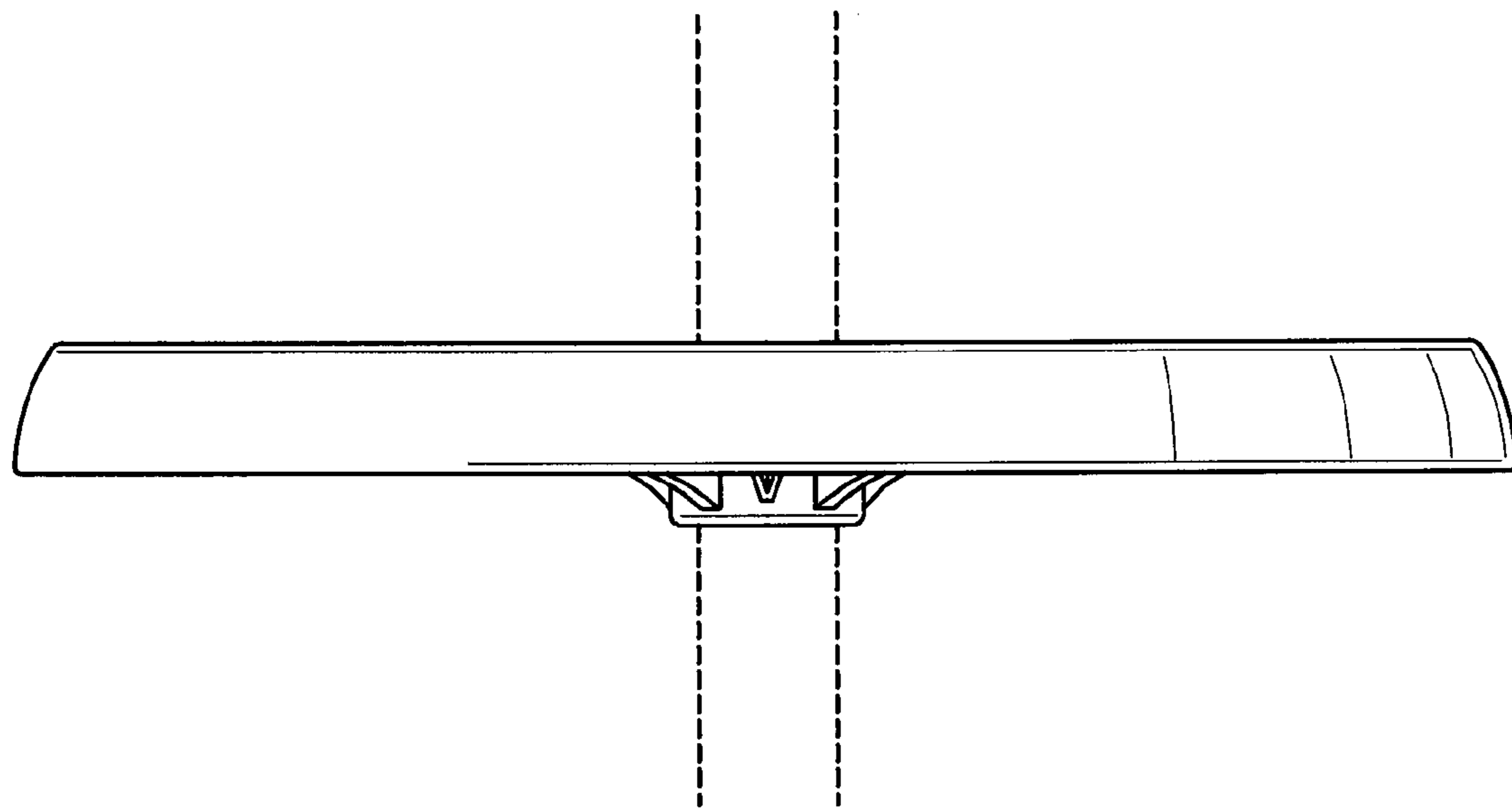
***FIG. 2***



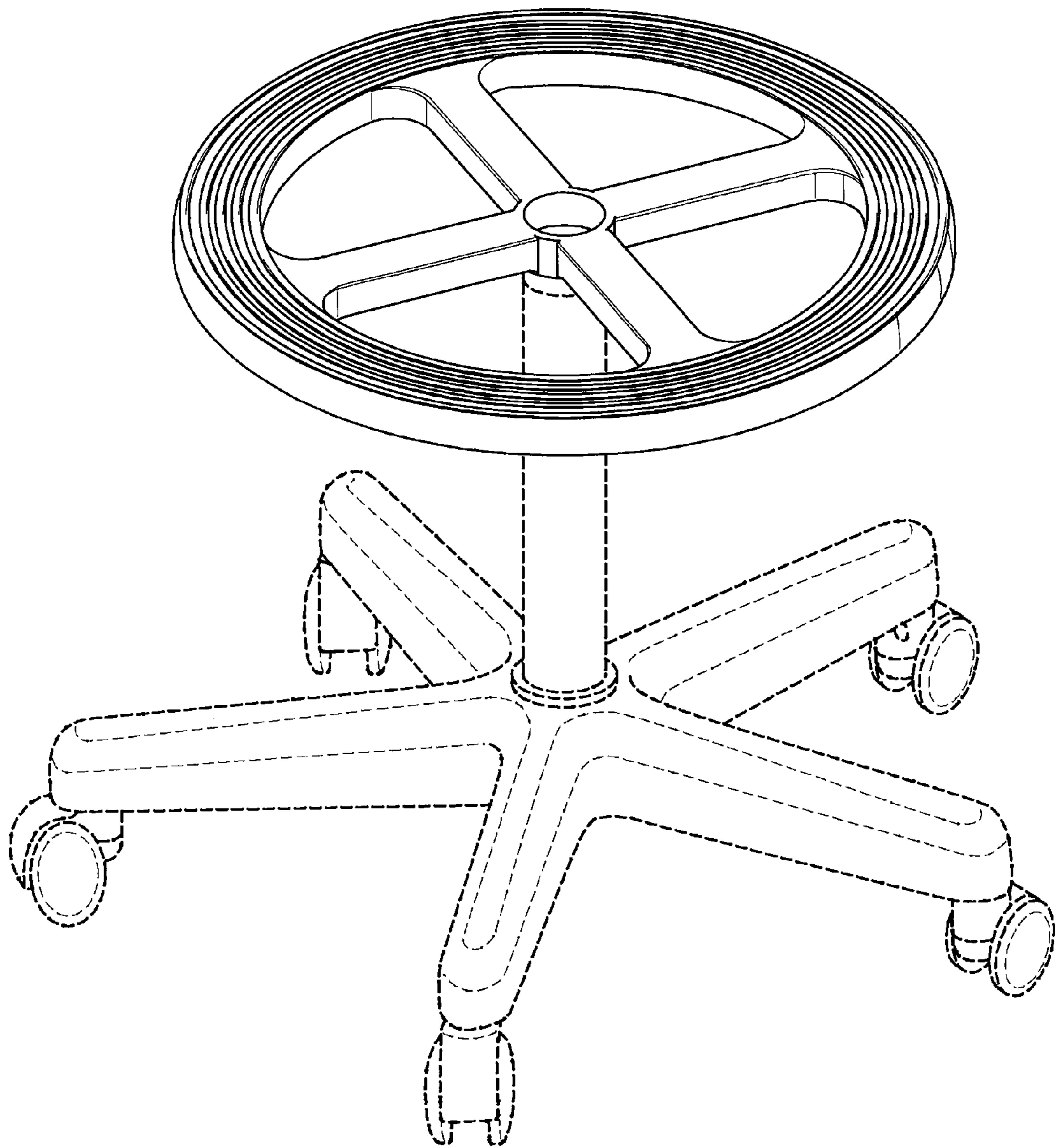
**FIG. 3**



**FIG. 4**



**FIG. 5**



**FIG. 6**