



US00D552897S

(12) **United States Design Patent**
Joseph

(10) **Patent No.:** **US D552,897 S**
(45) **Date of Patent:** **** Oct. 16, 2007**

(54) **CHAIR**

(75) Inventor: **Jean Joseph**, Chicago, IL (US)

(73) Assignee: **Chicago Textile Corporation**, Chicago, IL (US)

(**) Term: **14 Years**

(21) Appl. No.: **29/222,371**

(22) Filed: **Jan. 28, 2005**

(51) **LOC (8) Cl.** **06-01**

(52) **U.S. Cl.** **D6/500**

(58) **Field of Classification Search** D6/500,
D6/334, 336, 341, 349, 364-367, 377-9,
D6/495, 498, 501, 502; 297/284.4, 411.2,
297/411.27, 411.28, 411.36, 452.3, 452.29
See application file for complete search history.

(56) **References Cited**

U.S. PATENT DOCUMENTS

D171,176 S	12/1953	Yellen	
2,689,602 A	9/1954	Morgan	
D188,490 S	8/1960	LoVico	
D237,673 S	11/1975	Uchida	
D239,581 S	4/1976	Cuneo et al.	
D244,646 S	6/1977	Uchida	
D246,620 S	12/1977	Dranger et al.	
4,318,556 A	3/1982	Rowland	
D270,502 S *	9/1983	Coronado D6/334
4,421,356 A	12/1983	Singer	
D282,985 S	3/1986	Cronk	
D285,028 S	8/1986	McBride	
5,499,857 A	3/1996	Lynch, Jr.	

D397,264 S	8/1998	Joseph	
RE36,335 E	10/1999	Perry	
6,003,948 A	12/1999	Holbrook	
D479,415 S *	9/2003	Berry et al. D6/495
D495,504 S *	9/2004	Sorkin D6/349
D504,805 S *	5/2005	Sorkin D8/356

OTHER PUBLICATIONS

Advertisement Tripolina Armchair designed in 1877, sold since 1952.

Catalog p. 1, Casual Furniture collection by Gold Medal, 1977.

Catalog pp. 23 and 25, CB 1996.

2 pages of advertising brochures from Chicago Textile, 1998.

Chair illustrated in Spiegel catalog, pp. 300 and 331, Fall/Winter 1997.

* cited by examiner

Primary Examiner—Robert M. Spear

Assistant Examiner—Katrina A. Kile

(74) *Attorney, Agent, or Firm*—Leydig, Voit & Mayer, Ltd.

(57) **CLAIM**

The ornamental design for a chair, as shown and described.

DESCRIPTION

FIG. 1 is a perspective view of a chair, without a seat pad, showing my new design;

FIG. 2 is a front view of FIG. 1;

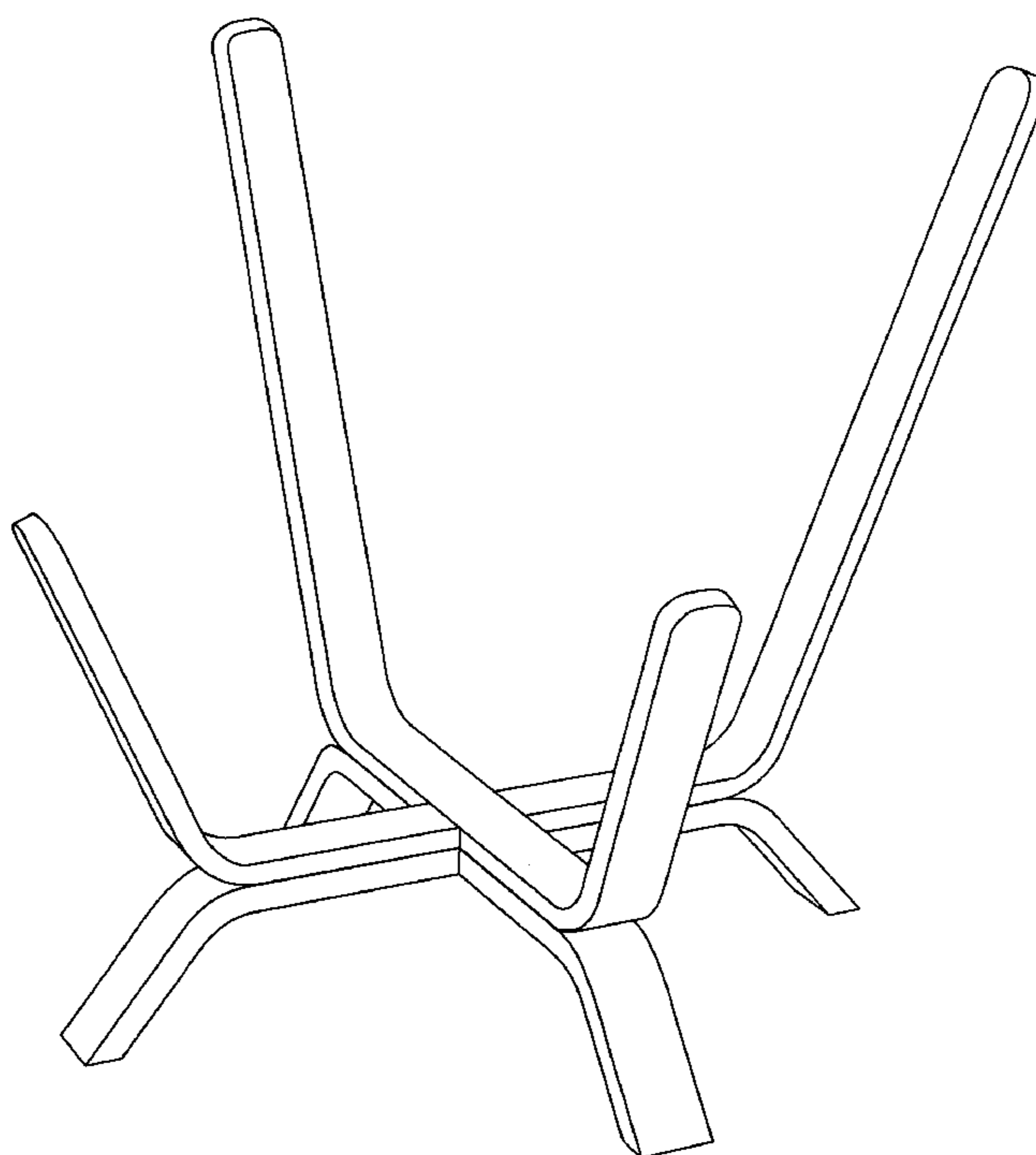
FIG. 3 is a rear view of FIG. 1;

FIG. 4 is a side view of FIG. 1;

FIG. 5 is a top view of FIG. 1; and,

FIG. 6 is a bottom view of FIG. 1.

1 Claim, 6 Drawing Sheets



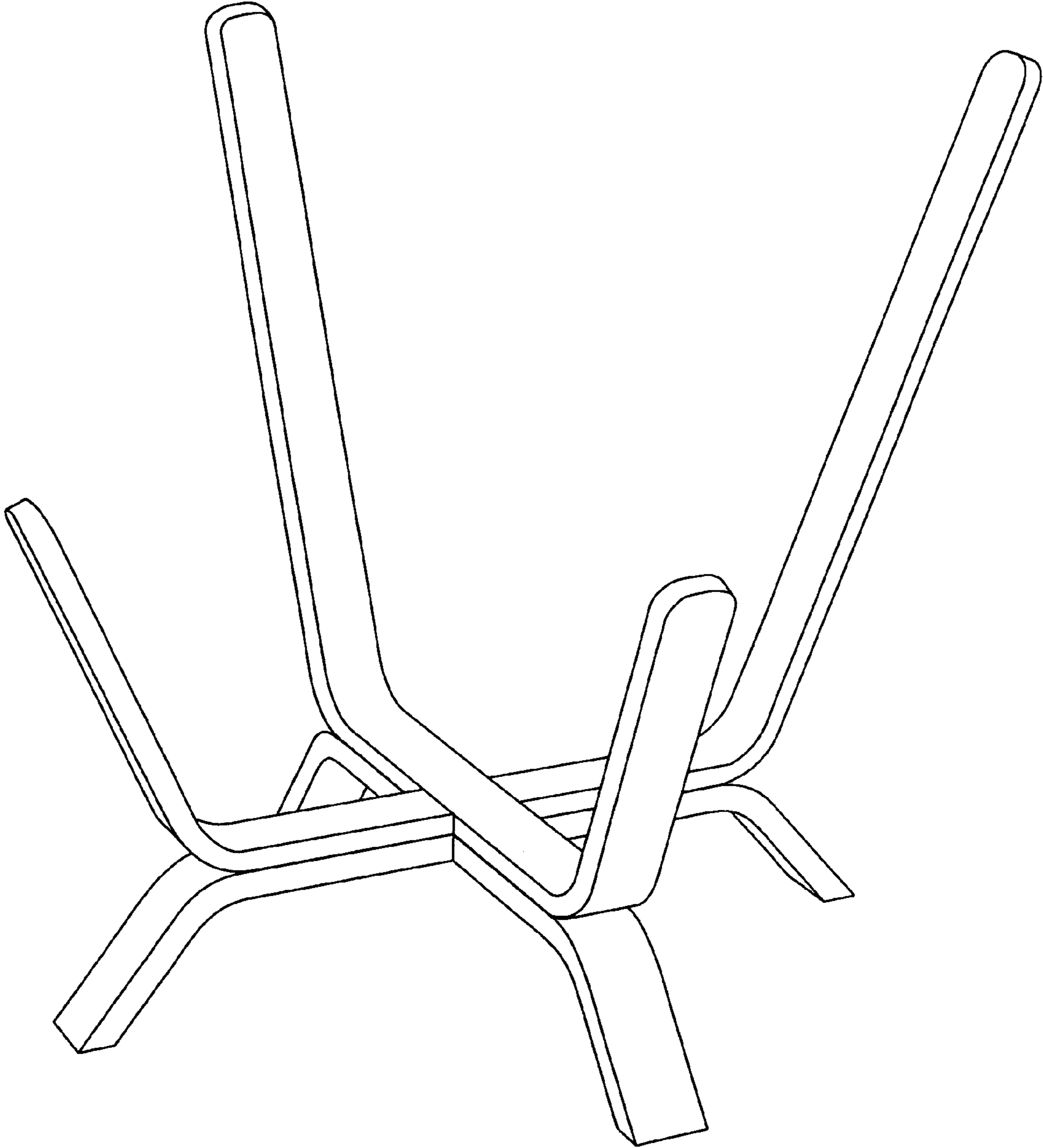


FIG. 1

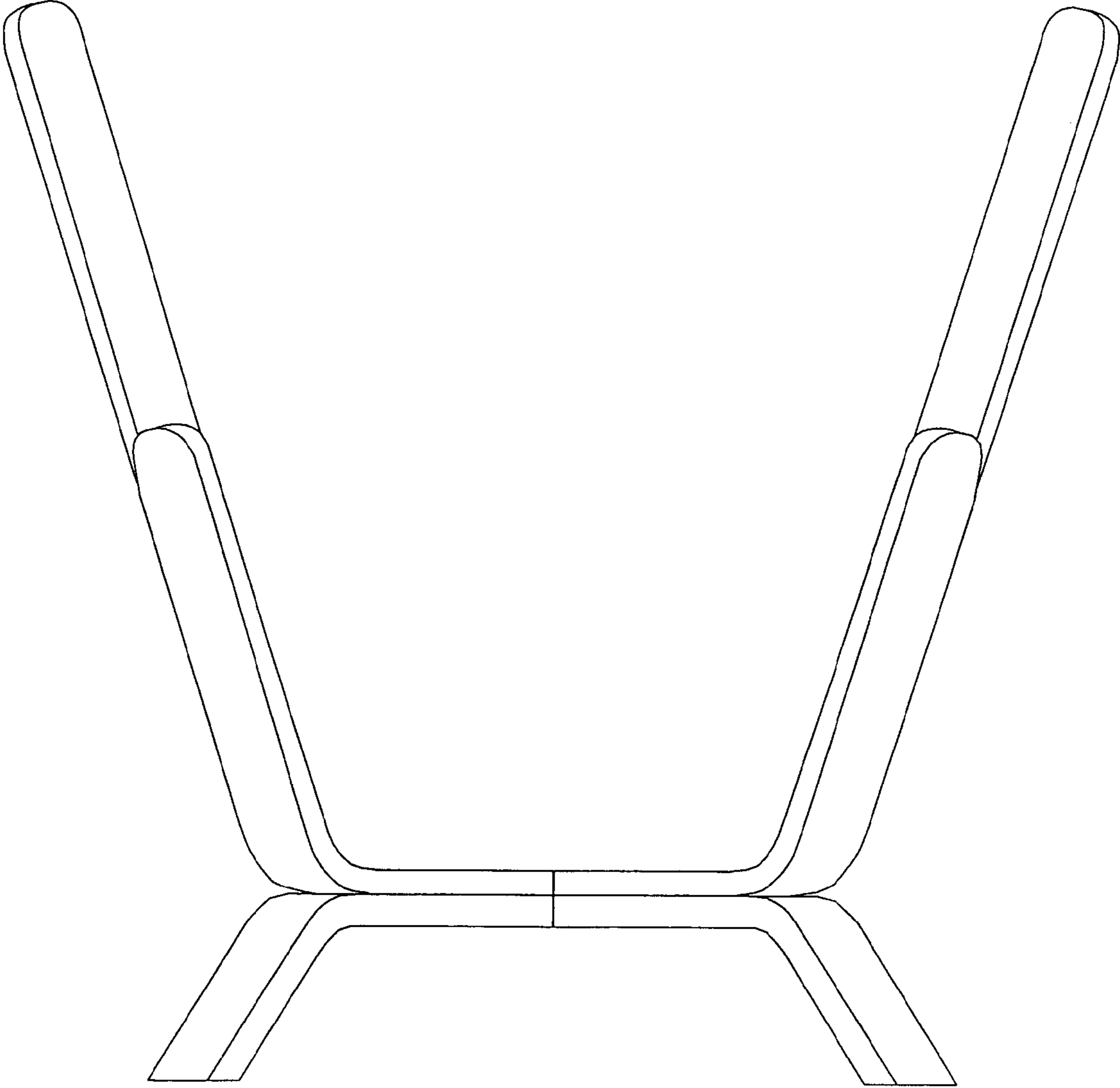


FIG.2

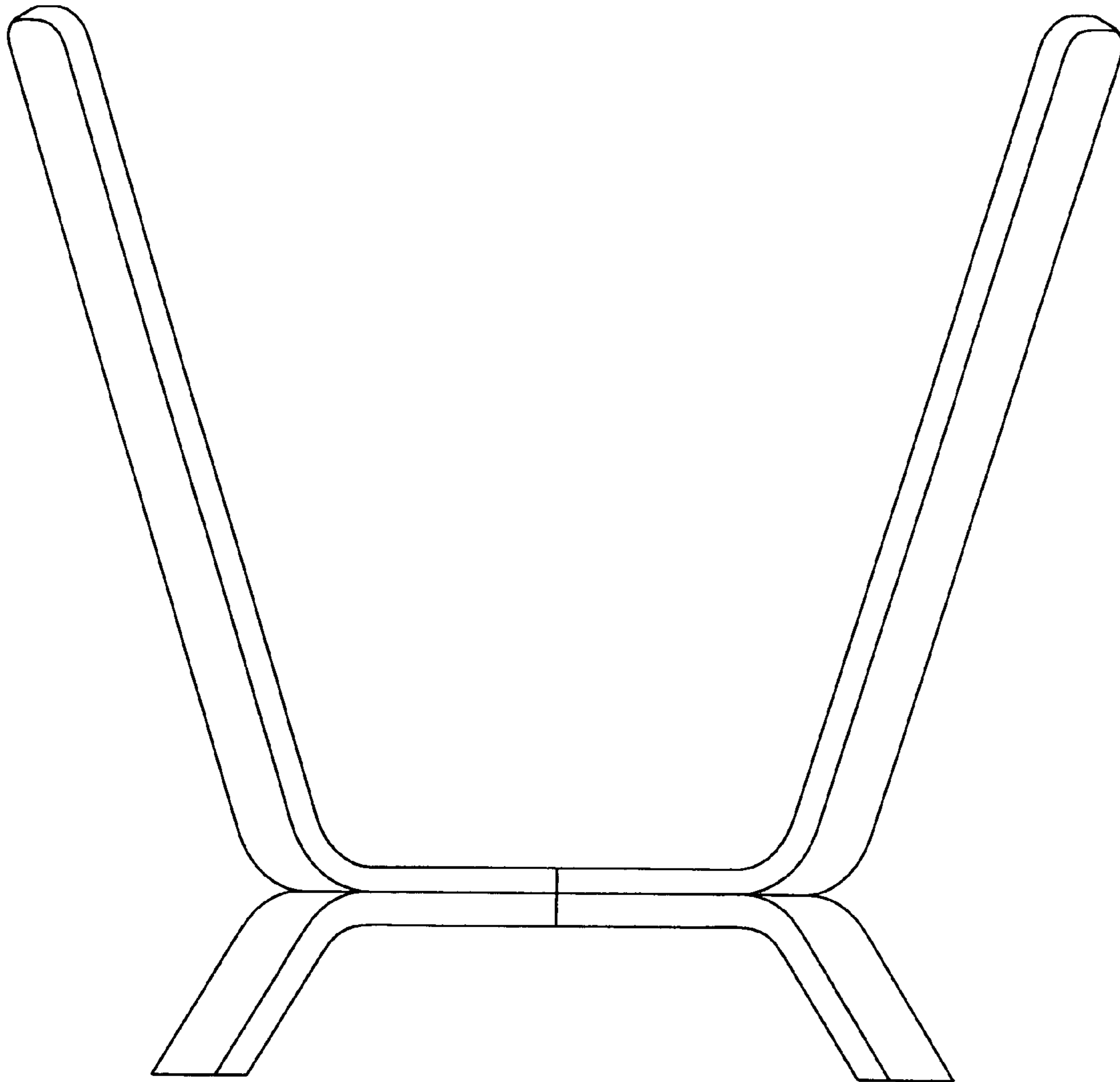


FIG. 3

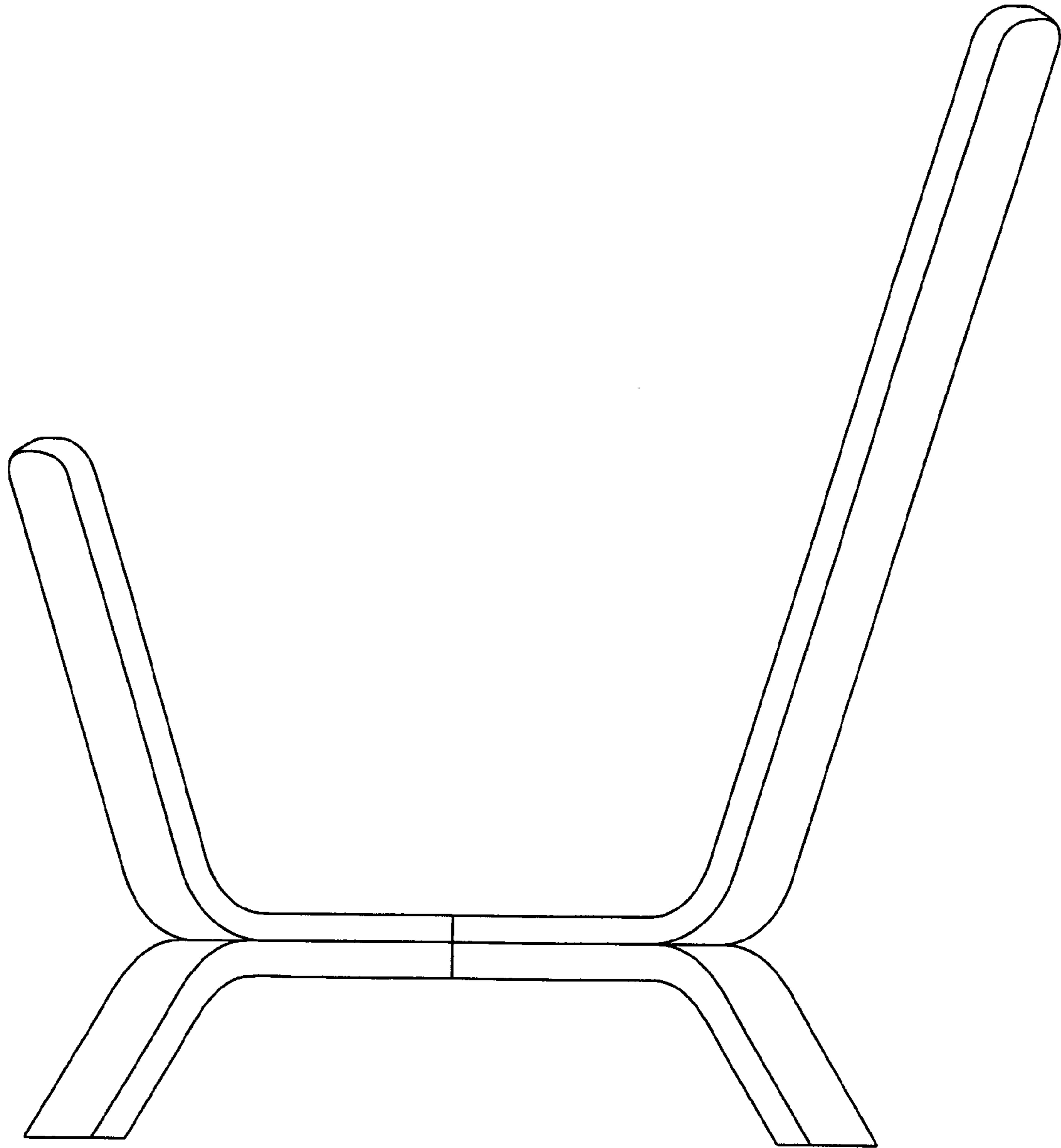


FIG. 4

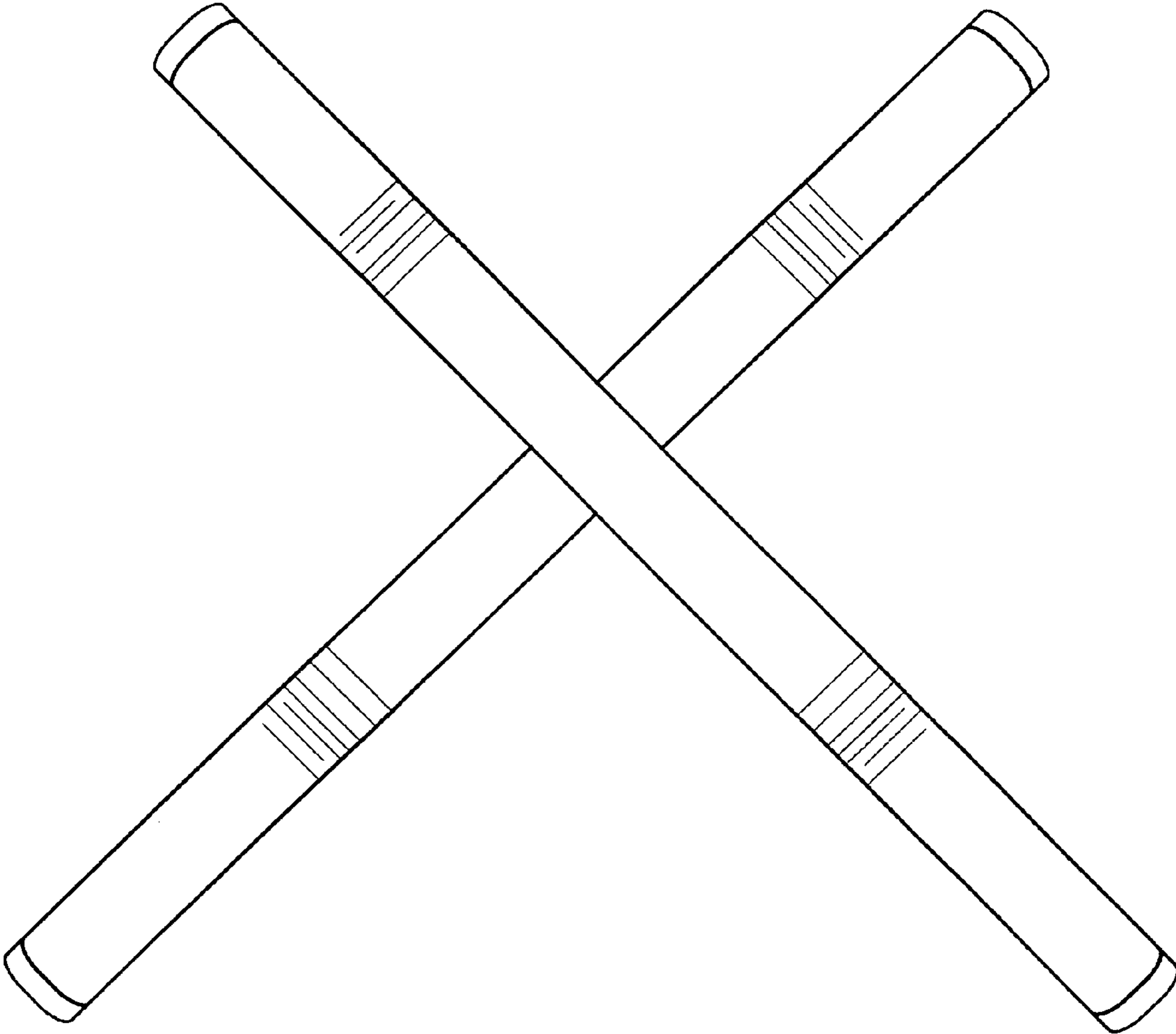


FIG. 5

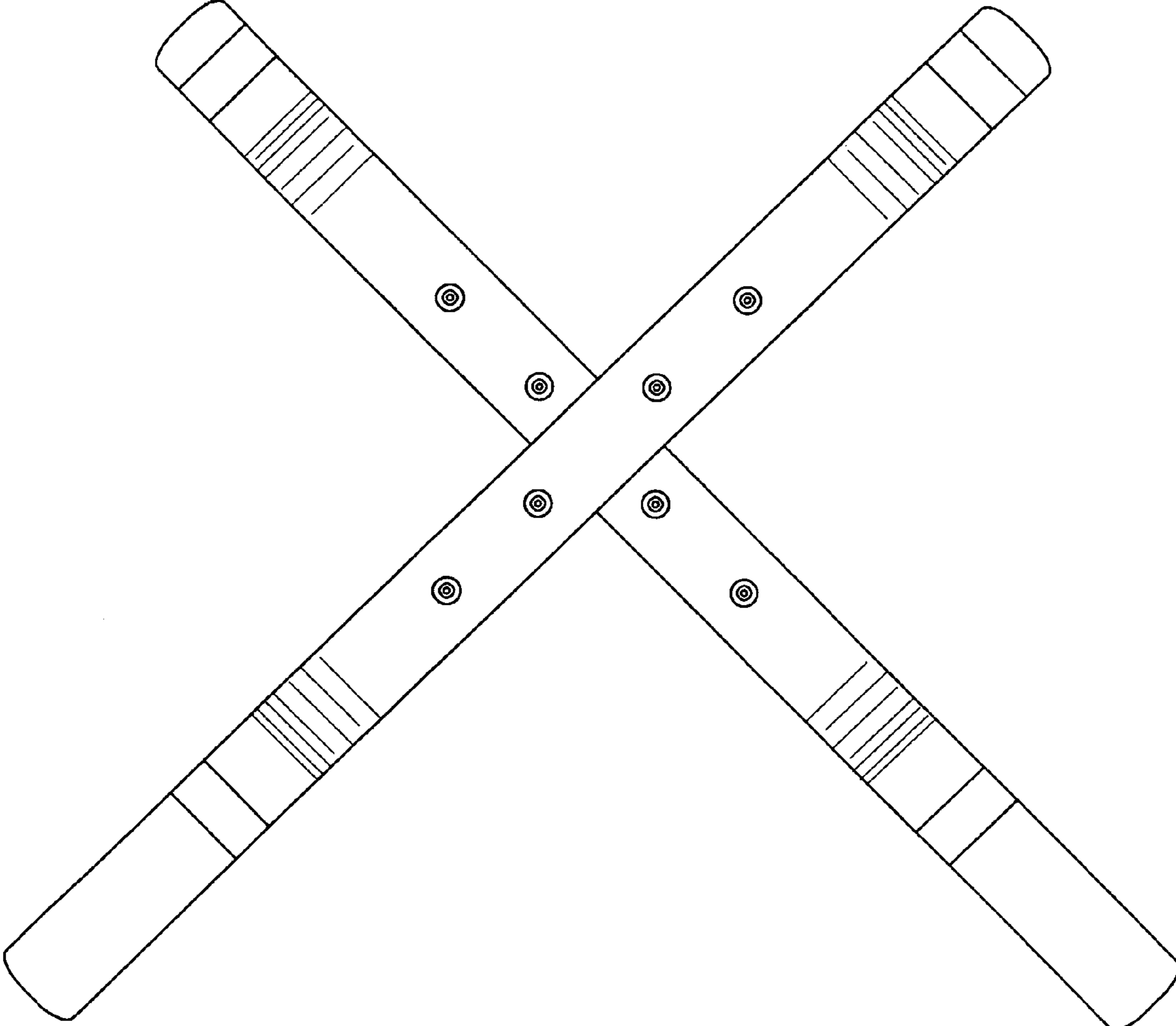


FIG. 6