



US00D552890S

(12) **United States Design Patent** (10) **Patent No.:** **US D552,890 S**  
**Domack et al.** (45) **Date of Patent:** **\*\* Oct. 16, 2007**

(54) **COCKTAIL TABLE**

(75) Inventors: **Randy D. Domack**, Trempealeau, WI (US); **Terry A. Everson**, Blair, WI (US)

(73) Assignee: **Ashley Furniture Industries, Inc.**, Arcadia, WI (US)

(\*\*) Term: **14 Years**

(21) Appl. No.: **29/255,816**

(22) Filed: **Mar. 13, 2006**

(51) **LOC (8) Cl.** ..... **06-03**

(52) **U.S. Cl.** ..... **D6/480**

(58) **Field of Classification Search** ..... D6/480-489, D6/495, 497, 429-431, 511, 477; 108/153.1, 108/155, 156, 157.1, 161; 248/188, 188.1  
See application file for complete search history.

(56) **References Cited**

**U.S. PATENT DOCUMENTS**

D436,467 S \* 1/2001 McGee ..... D6/480  
D525,055 S \* 7/2006 Domack et al. .... D6/480

**OTHER PUBLICATIONS**

Ashley Furniture online catalog, [www.ashleyfurniture.com](http://www.ashleyfurniture.com), wayback machine, c2002 table at far left and center.\*  
Ashley "T233-1" table, prior to Mar. 13, 2005.

World Imports table, prior to Mar. 13, 2005.  
In-store photograph of Fingers Furniture table, prior to Mar. 13, 2005.

Advertisement of unknown table, prior to Mar. 13, 2005.

\* cited by examiner

*Primary Examiner*—Janice E. Seeger

(74) *Attorney, Agent, or Firm*—Patterson, Thunte, Skaar & Christensen, P.A.

(57) **CLAIM**

The ornamental design for a cocktail table, as shown and described.

**DESCRIPTION**

FIG. 1 is a perspective view of a cocktail table according to an embodiment of the invention.

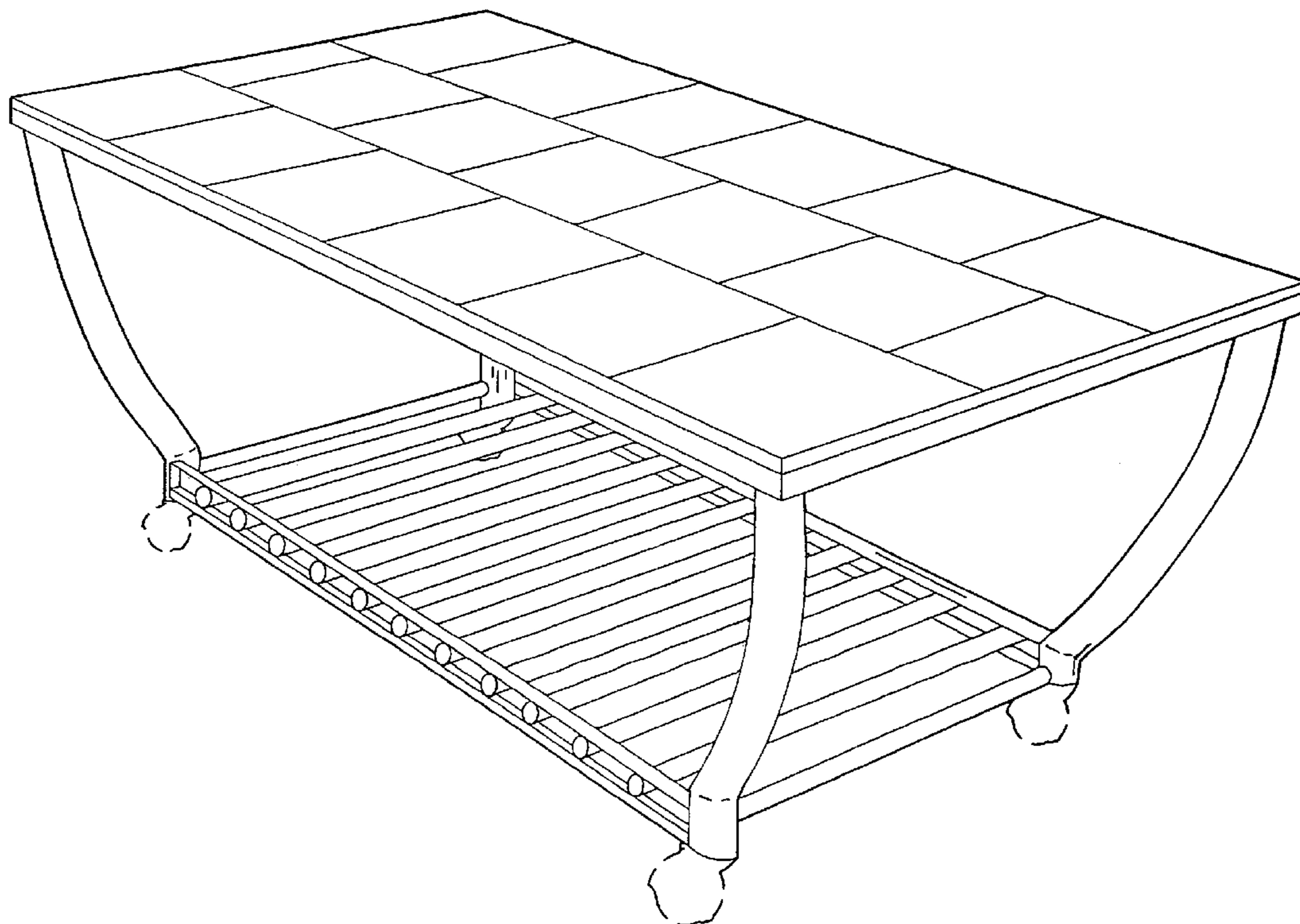
FIG. 2 is an overhead view of a cocktail table according to an embodiment of the invention.

FIG. 3 is a side view of a cocktail table according to an embodiment of the invention, the view from the opposite side being a mirror-image thereto; and,

FIG. 4 is an end view of a cocktail table according to an embodiment of the invention, the view from the opposite end being a mirror-image thereto.

The casters shown in dashed lines are for illustrative purposes only, and form no part of the claimed design.

**1 Claim, 2 Drawing Sheets**



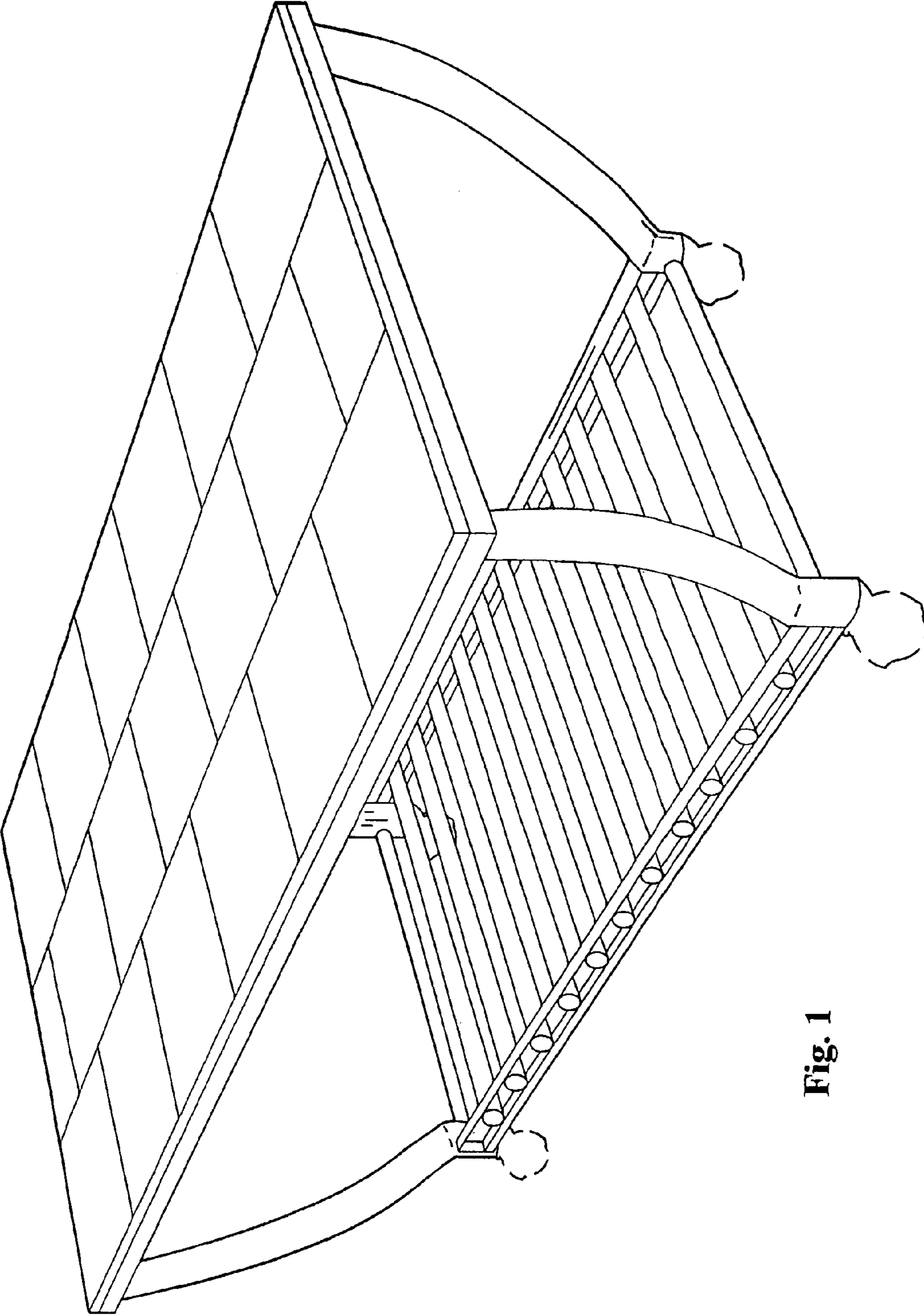
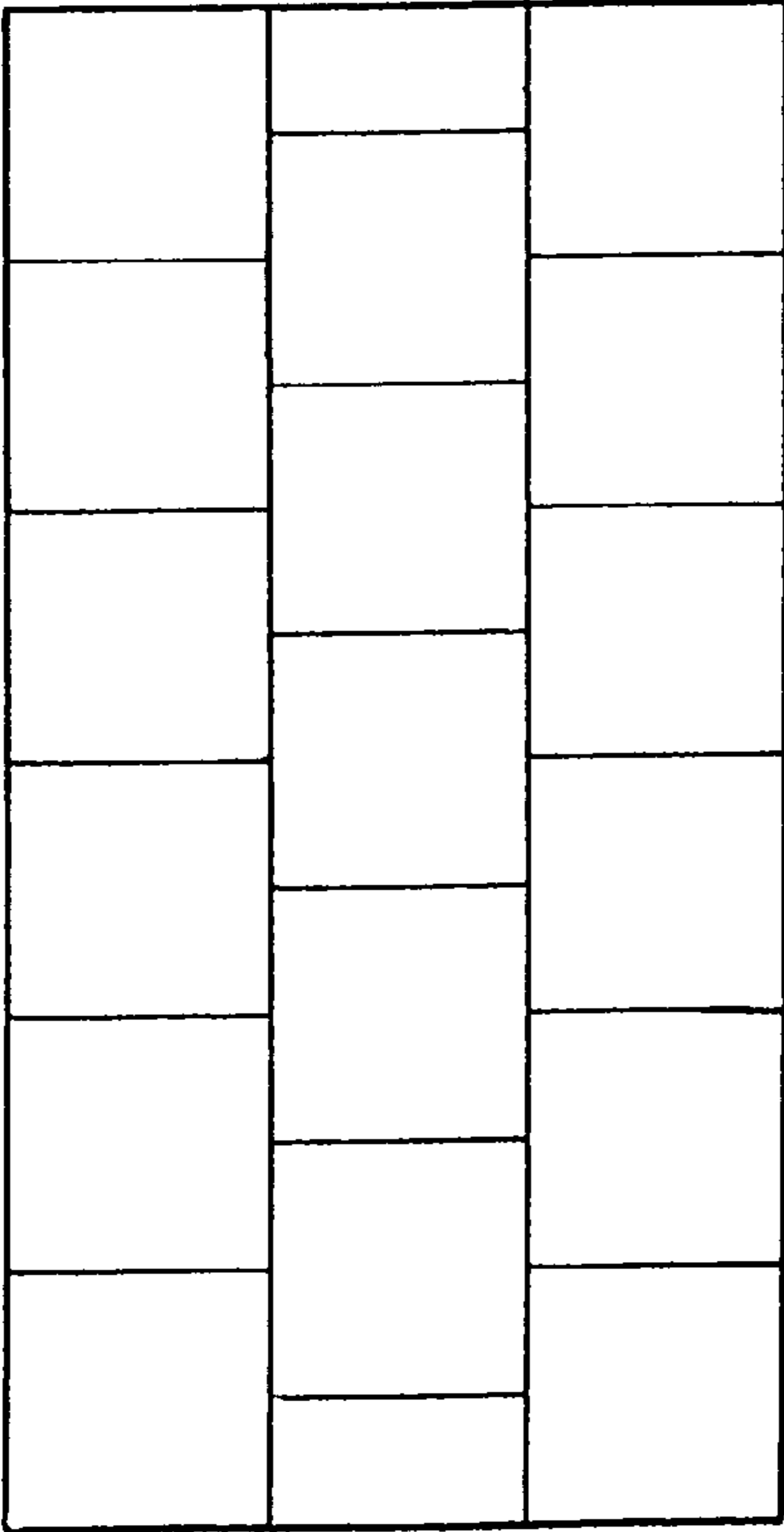
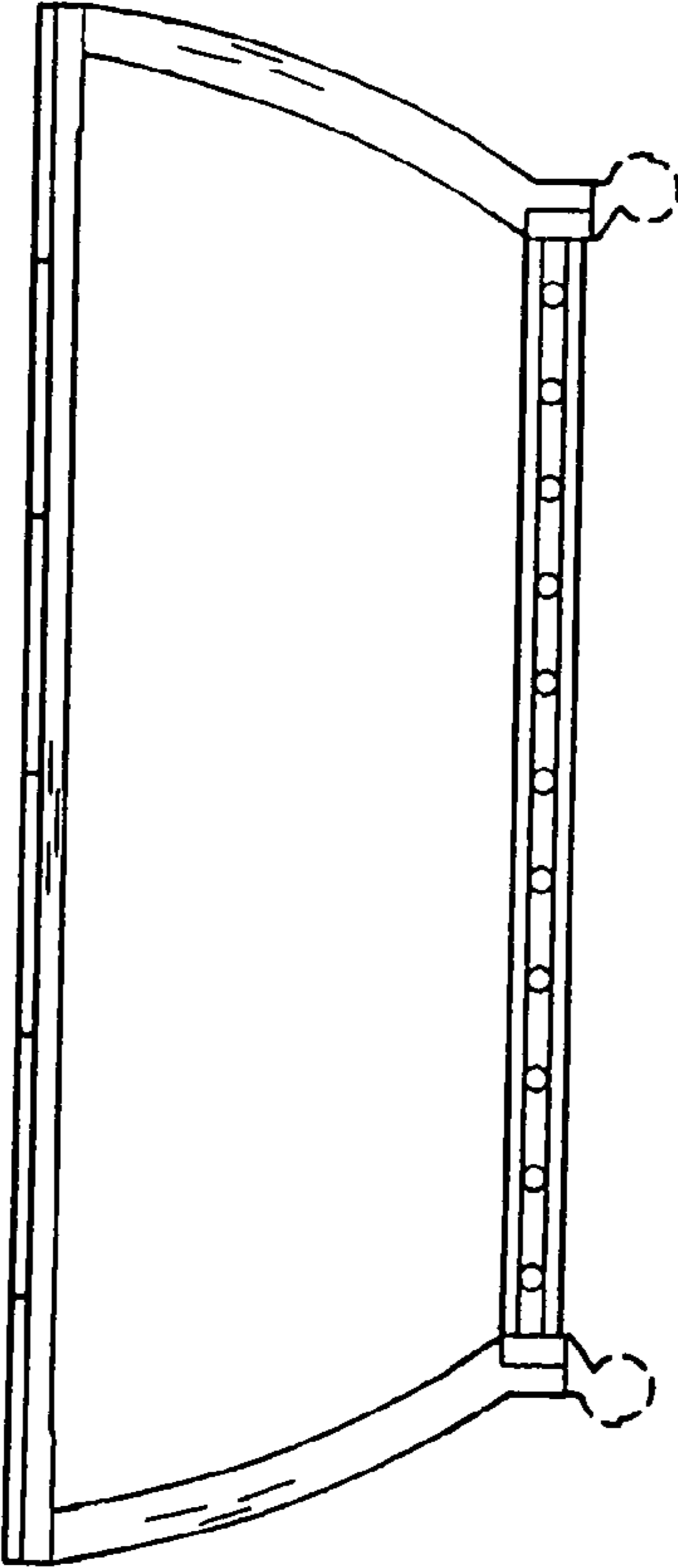


Fig. 1

**Fig. 2**



**Fig. 3**



**Fig. 4**

