



US00D552884S

(12) **United States Design Patent**
Saotome

(10) **Patent No.:** **US D552,884 S**

(45) **Date of Patent:** **** Oct. 16, 2007**

(54) **TABLE**

(75) Inventor: **Hiroshi Saotome**, Yokohama (JP)

(73) Assignee: **Okamura Corporation** (JP)

(**) Term: **14 Years**

(21) Appl. No.: **29/246,601**

(22) Filed: **Apr. 26, 2006**

(30) **Foreign Application Priority Data**

Nov. 10, 2005 (JP) 2005-032999

(51) **LOC (8) Cl.** **06-03**

(52) **U.S. Cl.** **D6/480**

(58) **Field of Classification Search** D6/480-489,
D6/495-499, 429, 492; 108/153.1, 155,
108/157.1, 161, 150; 248/188, 188.1, 188.8
See application file for complete search history.

(56) **References Cited**

U.S. PATENT DOCUMENTS

D334,856 S * 4/1993 Sielaff D6/474

D343,311 S * 1/1994 Ball D6/487

D417,095 S * 11/1999 Glass D6/484
D443,440 S * 6/2001 Deimen et al. D6/480
D474,355 S * 5/2003 Sexton D6/484
D507,902 S * 8/2005 Cioncada D6/480

* cited by examiner

Primary Examiner—Janice E. Seeger

(57) **CLAIM**

The ornamental design for a table, as shown and described.

DESCRIPTION

FIG. 1 is a front elevational view of a table;

FIG. 2 is a right side elevational view thereof;

FIG. 3 is a top plan view thereof;

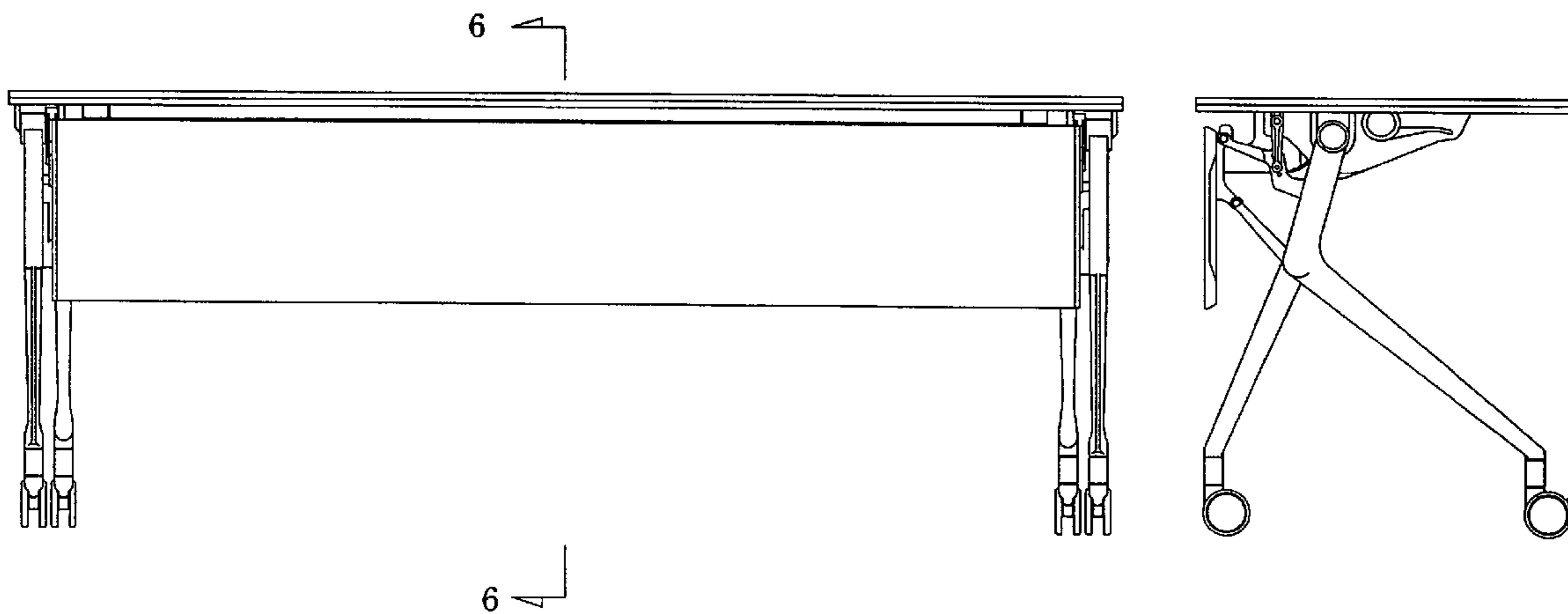
FIG. 4 is a bottom plan view thereof;

FIG. 5 is a rear elevational view thereof;

FIG. 6 is a vertical sectional view taken along the line 6—6
in FIG. 1; and,

FIG. 7 is a right side elevational view of the table in which
the top is folded.

1 Claim, 4 Drawing Sheets



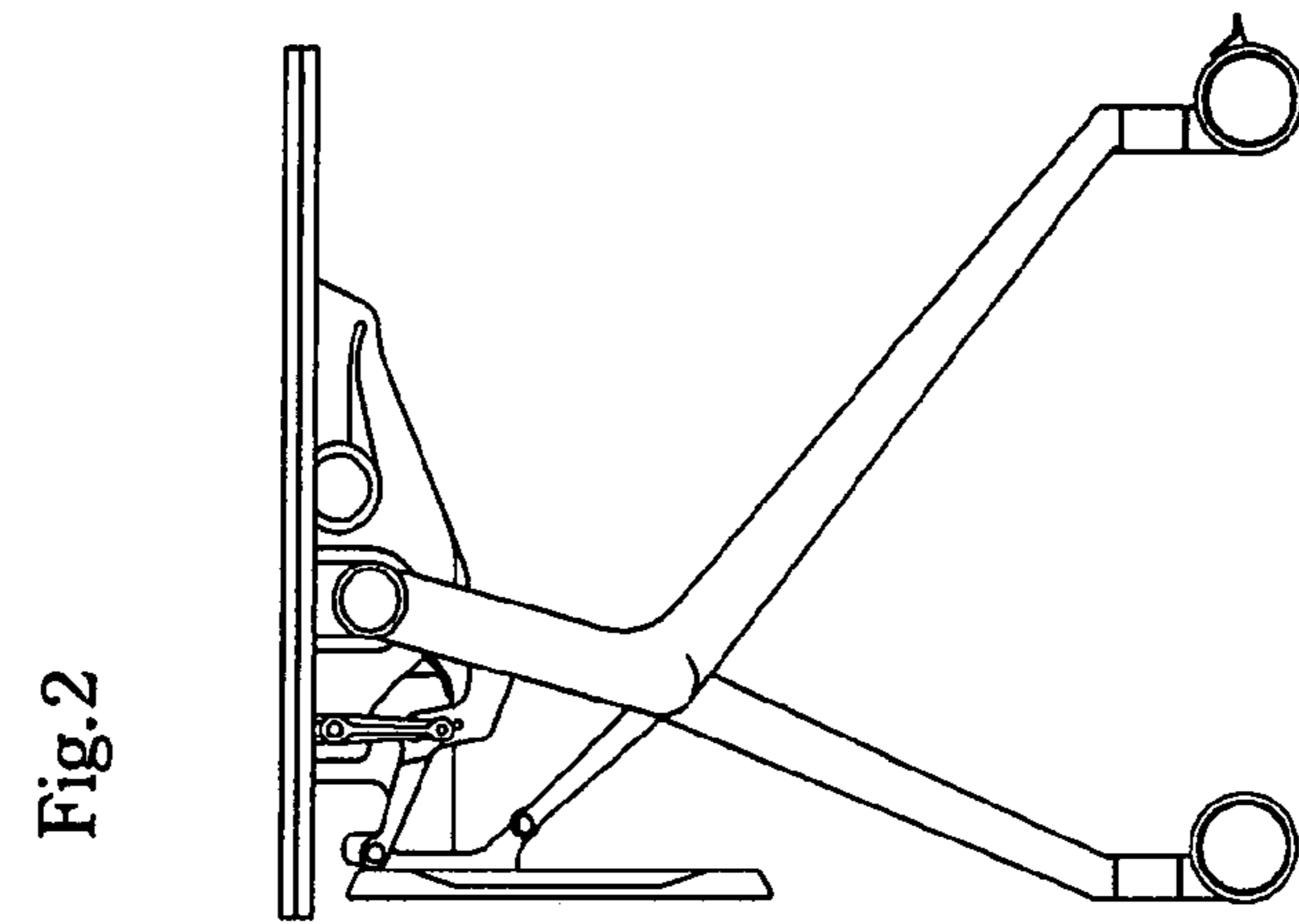


Fig. 2

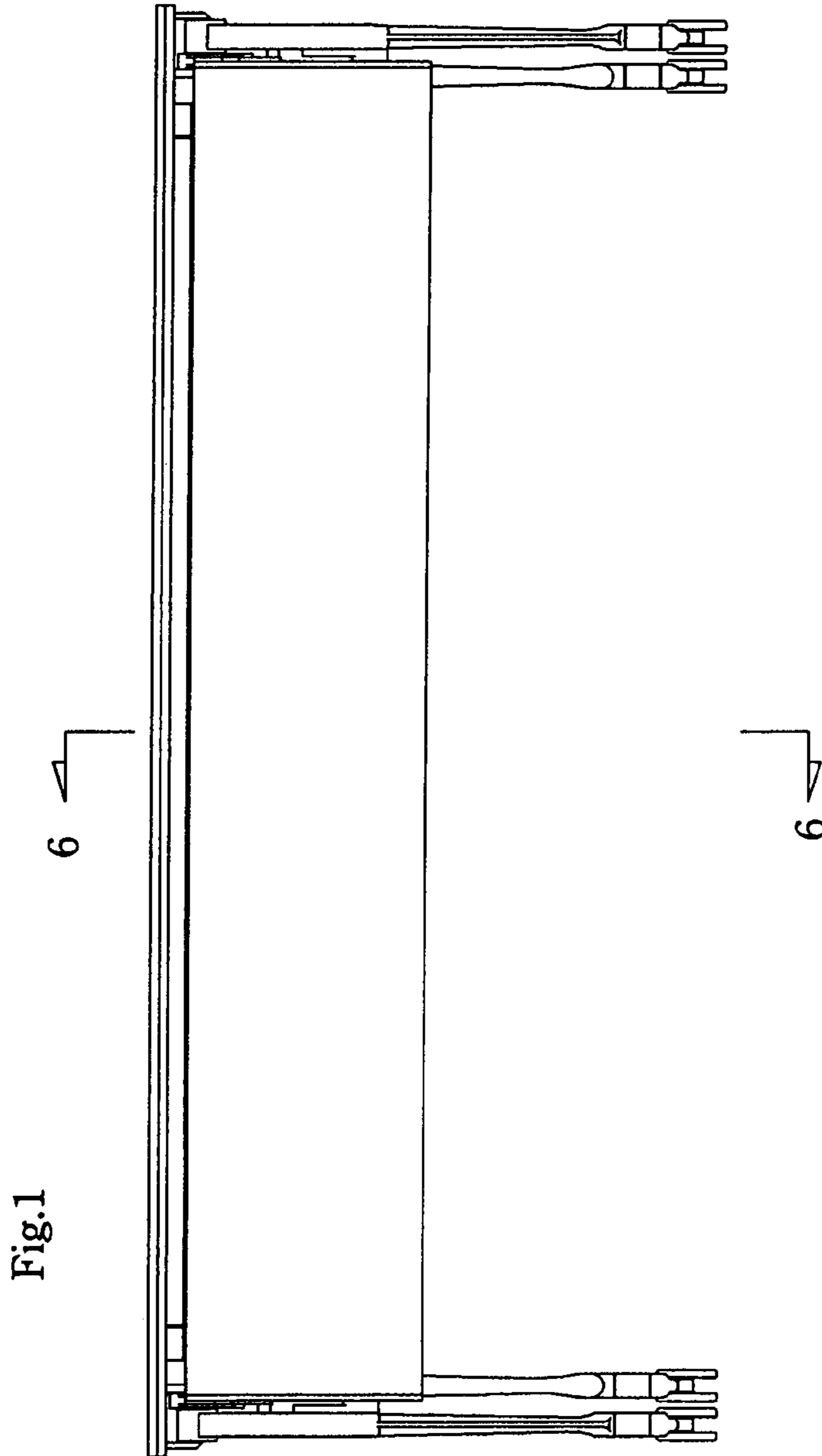


Fig. 1

Fig.3

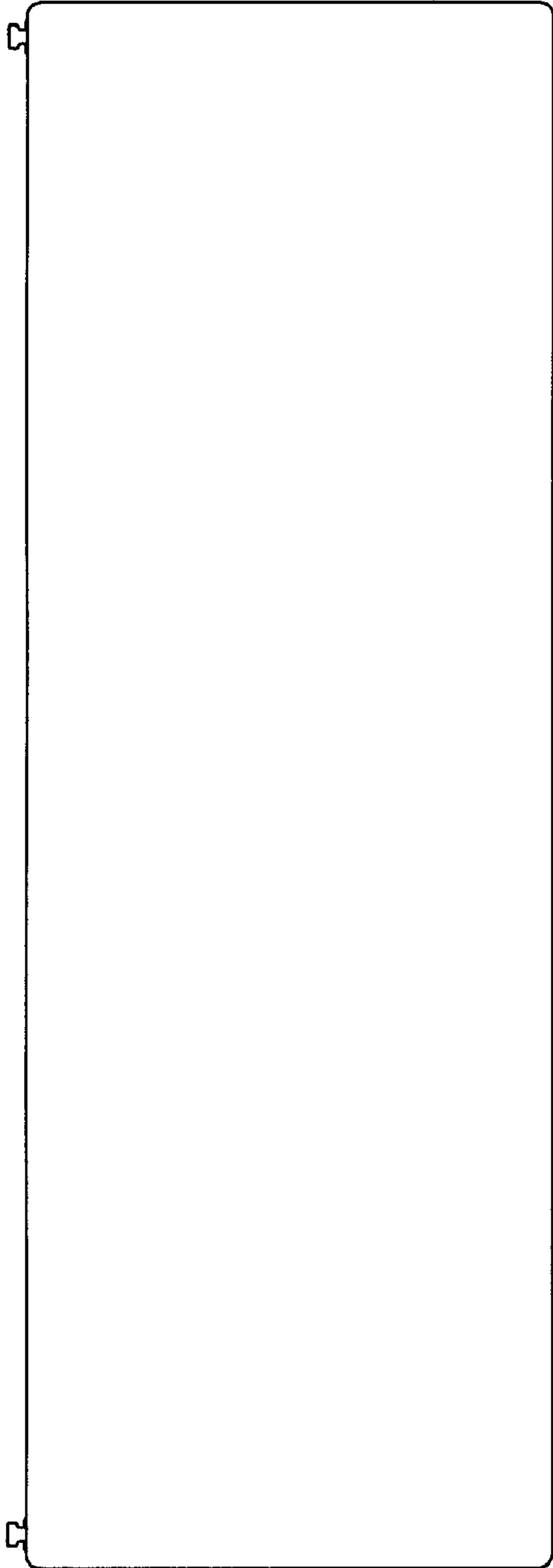
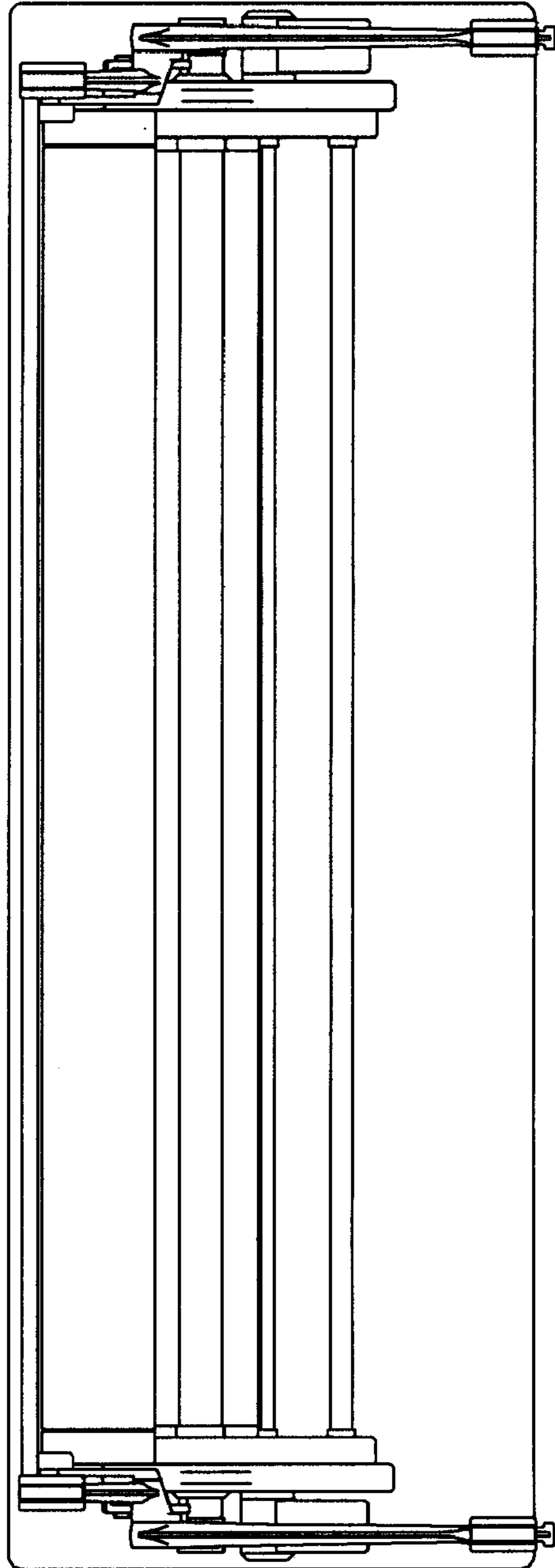


Fig.4



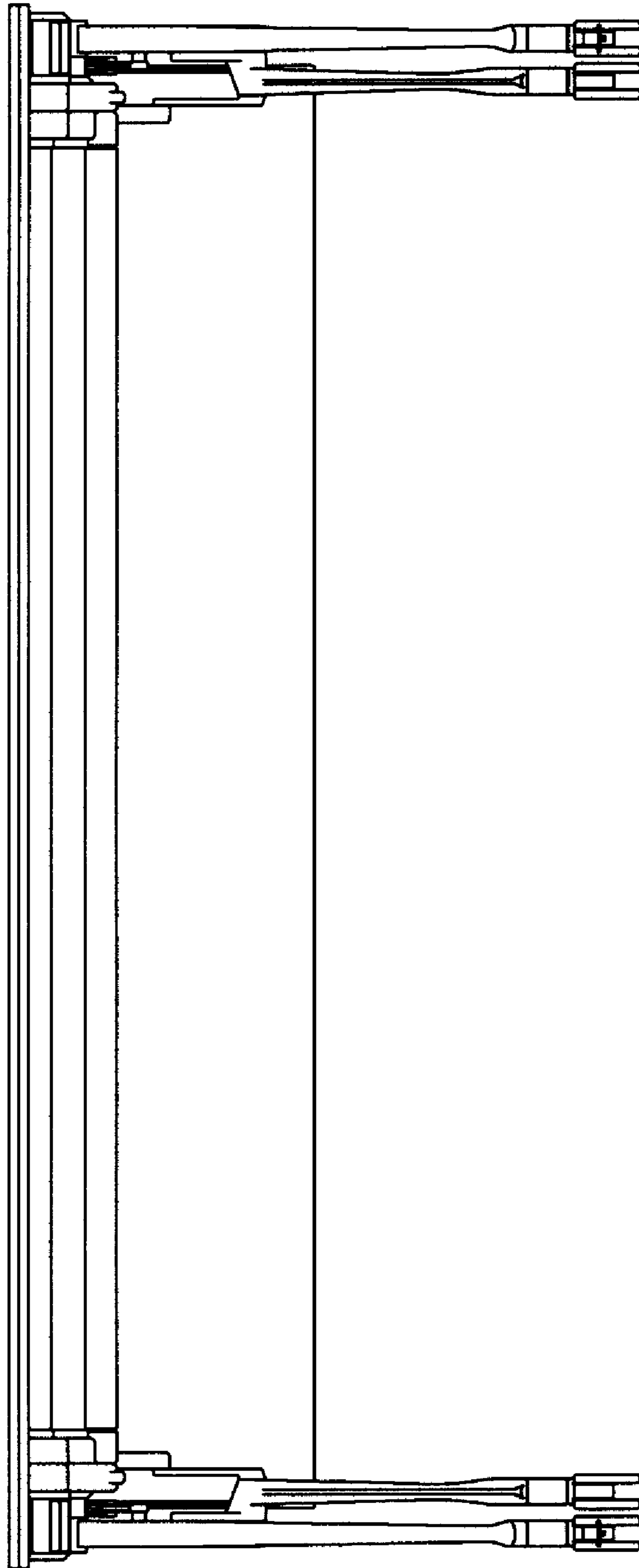


Fig.5

Fig.6

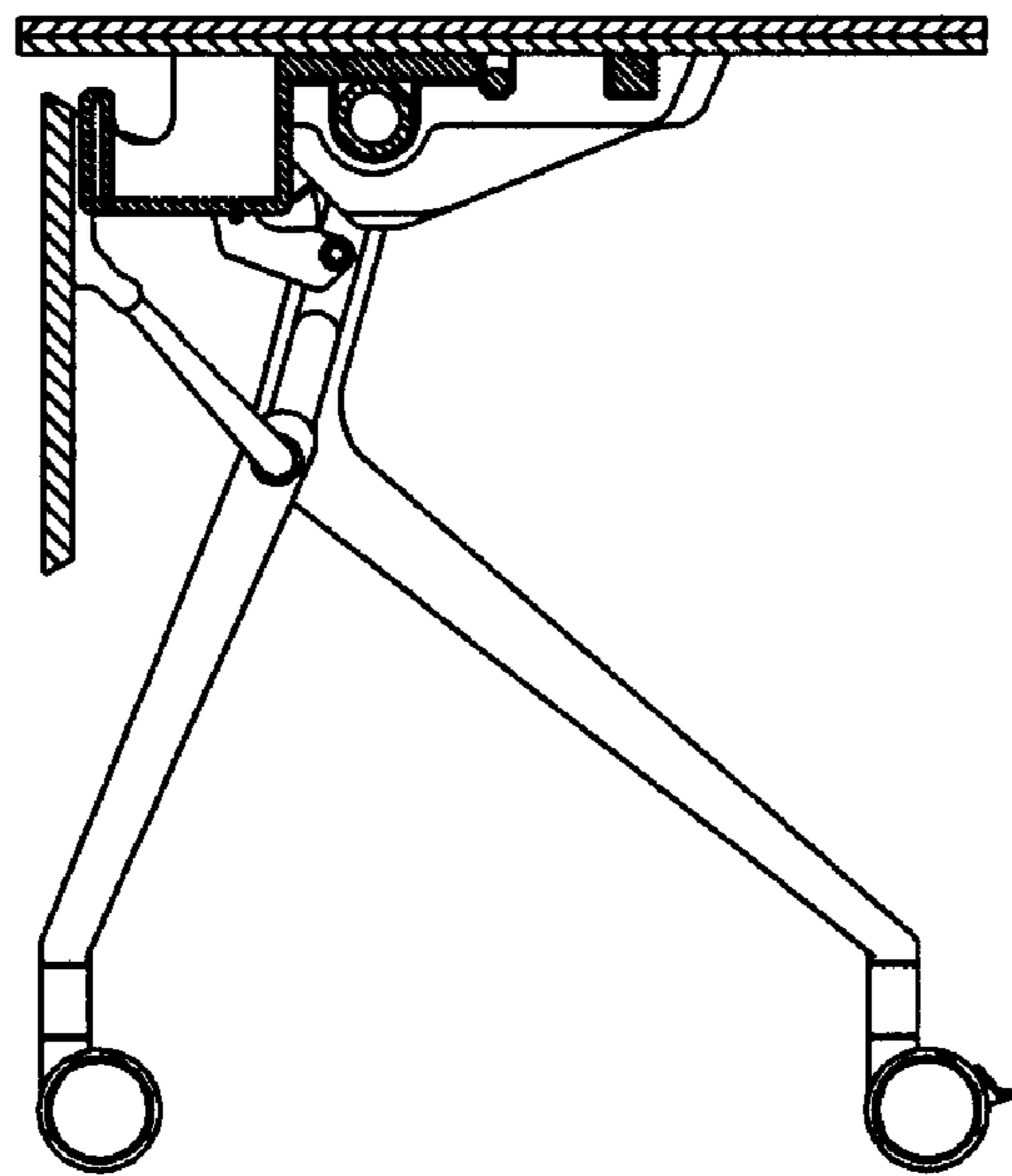


Fig.7

