



US00D552877S

(12) **United States Design Patent**  
**Trulaske, Sr.**

(10) **Patent No.:** **US D552,877 S**  
(45) **Date of Patent:** **\*\* Oct. 16, 2007**

(54) **SHELF ORGANIZER**  
(75) Inventor: **Steven L. Trulaske, Sr.**, St. Louis, MO  
(US)

4,552,272 A 11/1985 Field  
4,598,828 A 7/1986 Young et al.  
4,618,063 A 10/1986 Mendenhall

(Continued)

(73) Assignee: **True Manufacturing Co., Inc.**,  
O'Fallon, MO (US)

FOREIGN PATENT DOCUMENTS

DE 9311276 11/1994

(Continued)

(\*\*) Term: **14 Years**

(21) Appl. No.: **29/250,692**

OTHER PUBLICATIONS

(22) Filed: **Nov. 28, 2006**

Photocopies of photographs and drawings of Flum Coo Glide IV product.

(51) **LOC (8) Cl.** ..... **06-04**

(Continued)

(52) **U.S. Cl.** ..... **D6/408**

(58) **Field of Classification Search** ..... D6/408,  
D6/512, 515, 509, 510, 511; 211/59.2, 59.3;  
221/282-286; 312/35, 36, 71, 116, 128  
See application file for complete search history.

*Primary Examiner*—Caron D. Veynar  
*Assistant Examiner*—Sydney R. Buffalow  
(74) *Attorney, Agent, or Firm*—Polster, Lieder, Woodruff & Lucchesi L.C

(56) **References Cited**

(57) **CLAIM**

U.S. PATENT DOCUMENTS

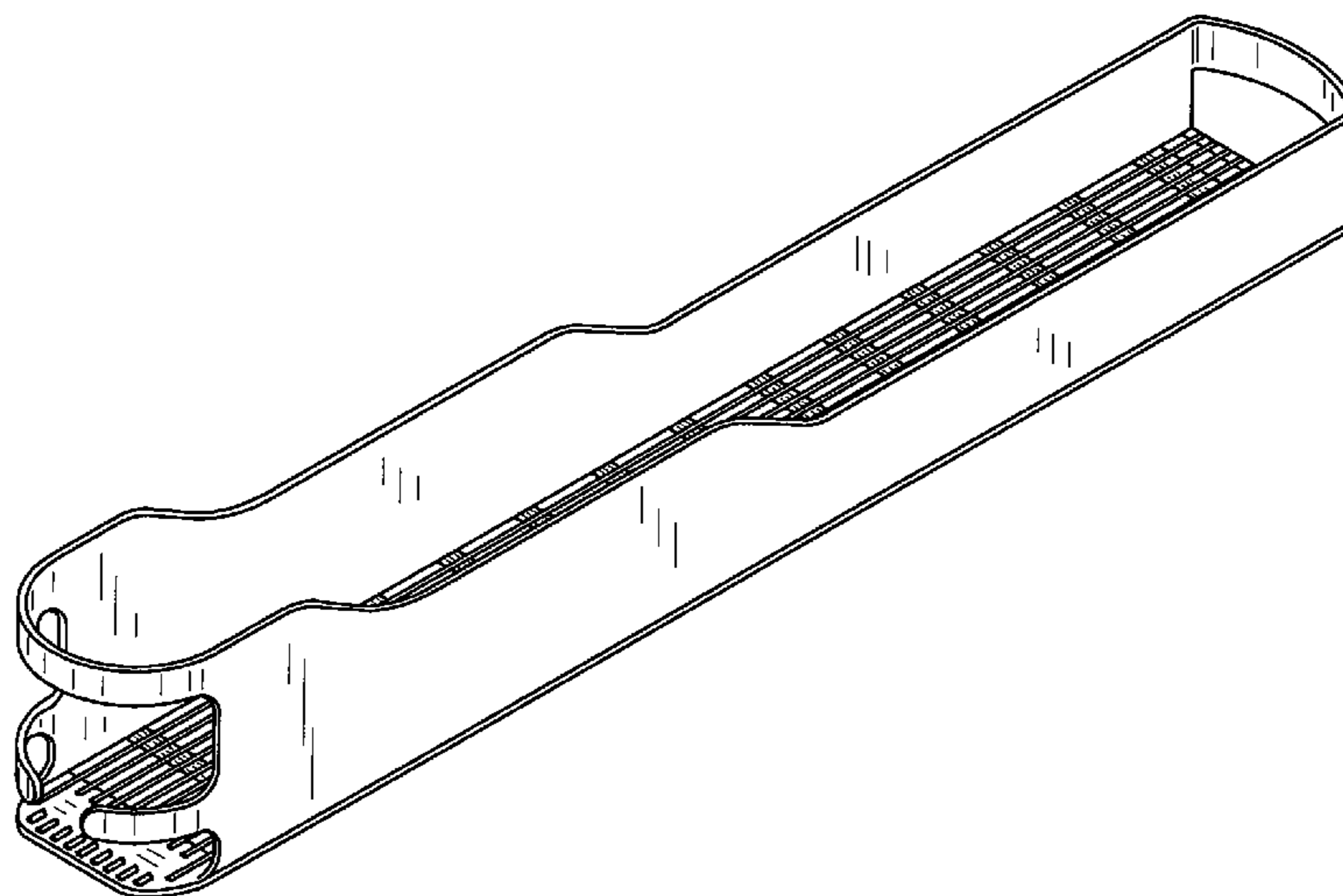
The ornamental design for a shelf organizer, as shown and described.

- 2,218,444 A 10/1940 Vineyard
- 2,572,090 A 10/1951 Allen
- 3,104,137 A 9/1963 Cohen
- D201,414 S \* 6/1965 Johns ..... D6/408
- 3,484,226 A 12/1969 Golightly
- 3,780,873 A 12/1973 Silva
- 3,894,634 A 7/1975 Gotham et al.
- 3,905,484 A 9/1975 Dean et al.
- 3,986,780 A 10/1976 Nivet
- 3,990,375 A 11/1976 Adams
- 4,106,668 A 8/1978 Gebhardt et al.
- 4,191,296 A 3/1980 Morgan
- 4,205,763 A 6/1980 Merl
- 4,228,903 A 10/1980 Eckert
- RE30,706 E 8/1981 Bustos
- 4,331,237 A 5/1982 Edell
- 4,395,955 A 8/1983 Pfeifer
- 4,460,096 A 7/1984 Ricci
- 4,488,653 A 12/1984 Belokin
- D277,154 S 1/1985 Nasgowitz
- 4,538,737 A 9/1985 Delaney

**DESCRIPTION**

FIG. 1 is a perspective view of a shelf organizer showing my new design;  
FIG. 2 is a right front elevational view of FIG. 1;  
FIG. 3 is a left rear elevational view of FIG. 1;  
FIG. 4 is a top plan view of FIG. 1;  
FIG. 5 is a bottom plan view of FIG. 1;  
FIG. 6 is a front end view of FIG. 1; and,  
FIG. 7 is a rear end view of FIG. 1.  
The broken lines shown in FIGS. 2, 3, 6 and 7 are for illustrative purpose only and form no part of the claimed design.

**1 Claim, 3 Drawing Sheets**



# US D552,877 S

Page 2

## U.S. PATENT DOCUMENTS

4,685,574 A 8/1987 Young et al.  
4,690,287 A 9/1987 Fershko et al.  
4,694,966 A 9/1987 Sorenson et al.  
4,712,694 A 12/1987 Breslow  
4,724,968 A 2/1988 Wombacher  
4,730,741 A 3/1988 Jackle, III et al.  
4,762,236 A 8/1988 Jackle, III et al.  
4,763,796 A 8/1988 Flum  
4,785,943 A 11/1988 Deffner et al.  
4,785,945 A 11/1988 Rowse et al.  
4,801,025 A 1/1989 Flum et al.  
4,836,390 A 6/1989 Polvere  
4,890,746 A 1/1990 Trulaske, Sr.  
4,907,707 A 3/1990 Crum  
4,923,070 A 5/1990 Jackle et al.  
4,942,967 A 7/1990 Schneider  
4,942,968 A 7/1990 Fast  
4,953,719 A 9/1990 Spamer  
4,960,210 A 10/1990 Spamer  
4,997,094 A 3/1991 Spamer et al.  
5,012,936 A 5/1991 Crum  
D317,382 S 6/1991 Polvere  
5,024,336 A 6/1991 Spamer  
5,050,748 A 9/1991 Taub  
5,069,349 A 12/1991 Wear et al.  
5,076,443 A 12/1991 Trulaske, Sr.  
5,097,962 A 3/1992 Eklof et al.  
5,119,945 A 6/1992 Wiggins  
5,131,563 A 7/1992 Yablans  
5,154,299 A 10/1992 Hwang  
5,205,421 A 4/1993 Bustos  
5,232,102 A 8/1993 Ozawa  
5,240,126 A 8/1993 Foster et al.

5,265,738 A 11/1993 Yablans et al.  
5,351,838 A 10/1994 Flum  
5,366,099 A 11/1994 Schmid  
5,417,333 A 5/1995 Flum  
5,450,968 A 9/1995 Bustos  
5,458,248 A 10/1995 Alain  
5,531,336 A 7/1996 Parham et al.  
D372,381 S 8/1996 Goldring et al.  
5,562,217 A 10/1996 Salveson et al.  
5,624,042 A 4/1997 Flum et al.  
5,634,564 A 6/1997 Spamer et al.  
5,645,176 A 7/1997 Jay  
5,695,076 A 12/1997 Jay  
5,695,077 A 12/1997 Jay  
5,788,090 A 8/1998 Kajiwara  
D401,436 S 11/1998 Jay  
D401,437 S \* 11/1998 Primiano et al. .... D6/408  
D402,837 S \* 12/1998 Boire et al. .... D6/515  
D405,622 S \* 2/1999 Linz ..... D6/408  
D417,975 S \* 12/1999 Linz ..... D6/408  
6,142,316 A 11/2000 Harbour et al.  
D448,589 S 10/2001 Trulaske, Sr.

## FOREIGN PATENT DOCUMENTS

GB 2020197 3/1980

## OTHER PUBLICATIONS

Photocopies of drawings of Flum Ultra-Glide display.  
Paul Flum Ideas, Ic. Advertising brochure for Ultra-Glide®—1994.  
Paul Flum Ideas, Ic. Advertising brochure for Cool Glide®—1993.  
Paul Flum Ideas, Ic. Advertising brochure for Doubler®—1994.

\* cited by examiner

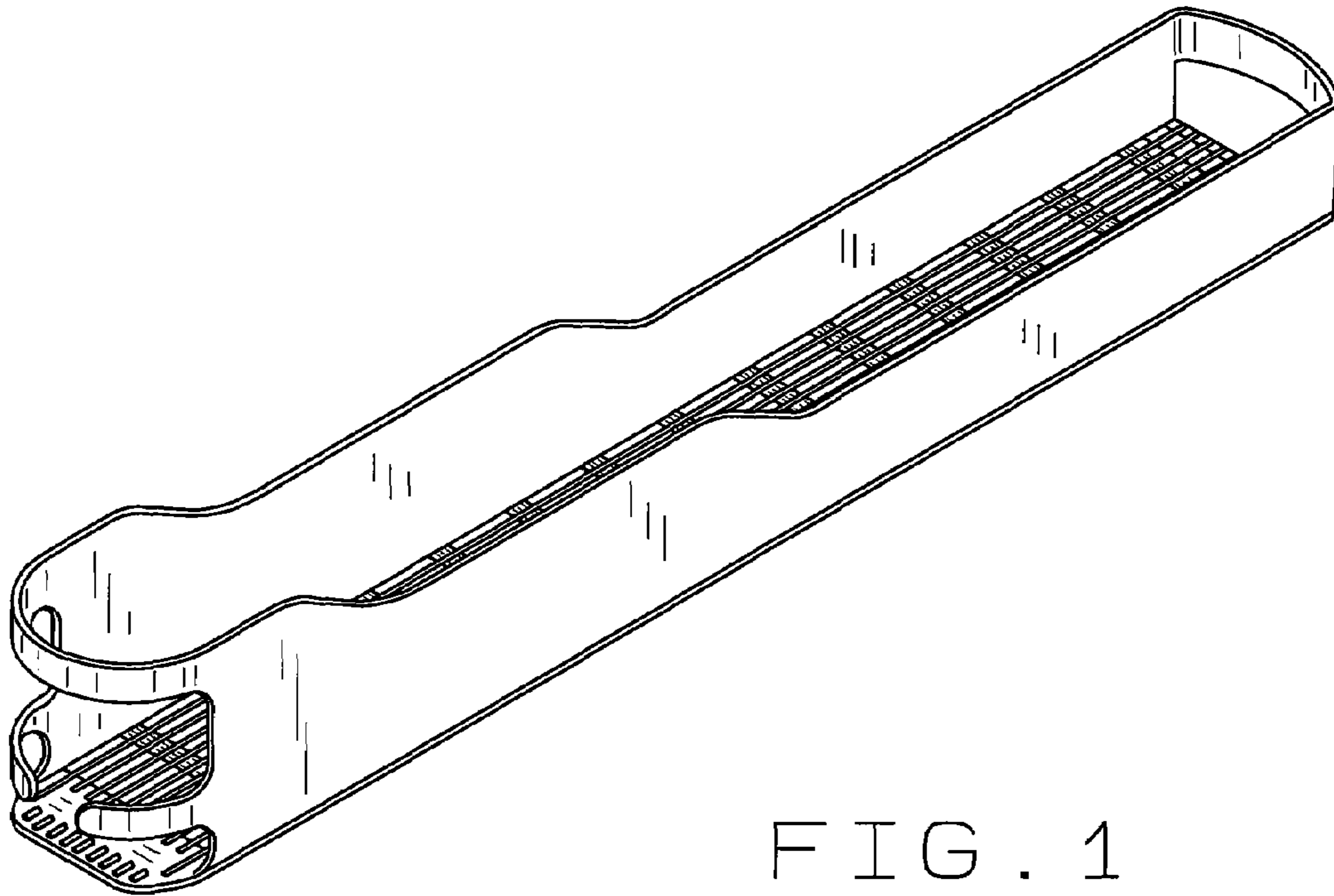


FIG. 1

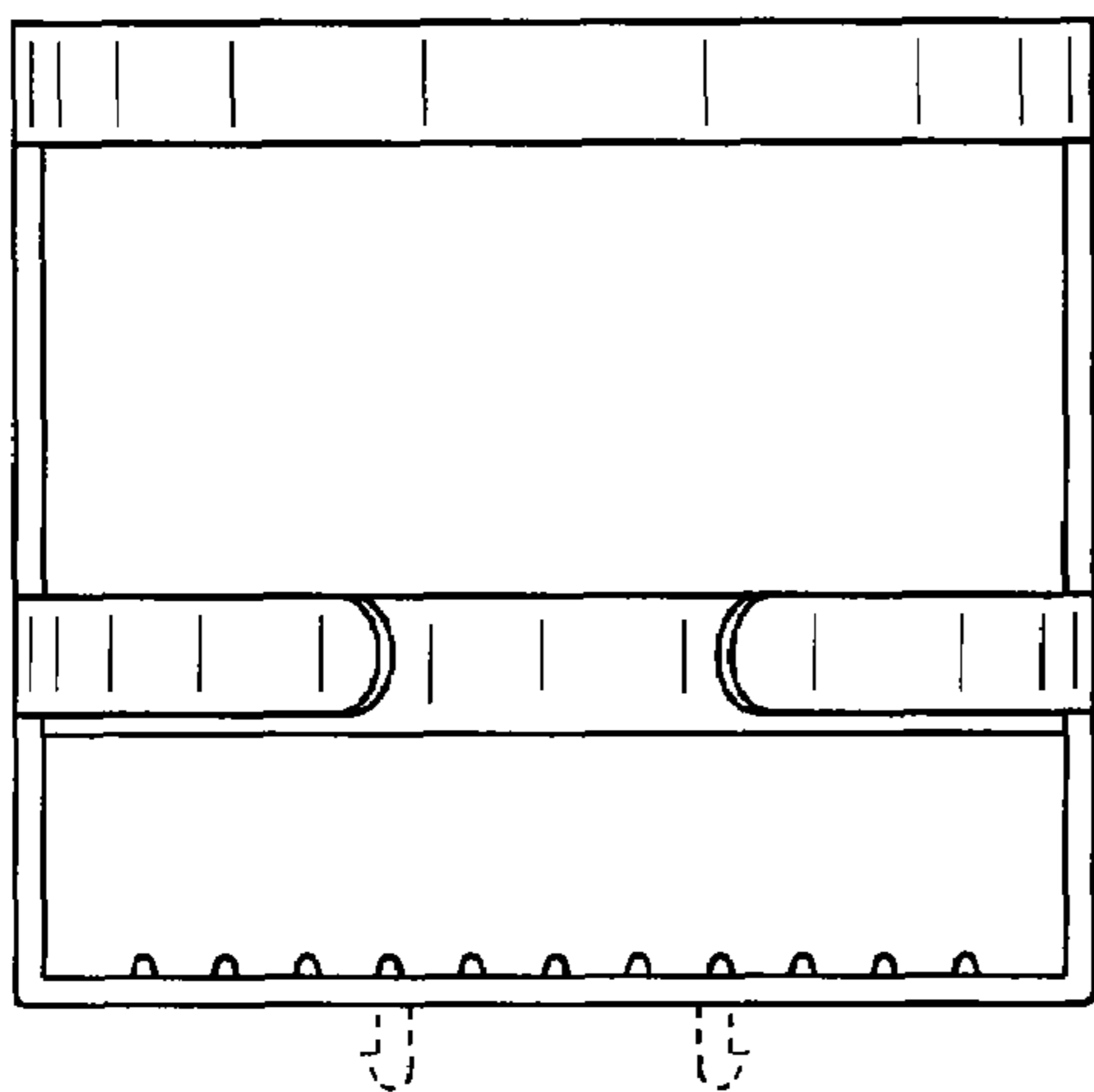


FIG. 6

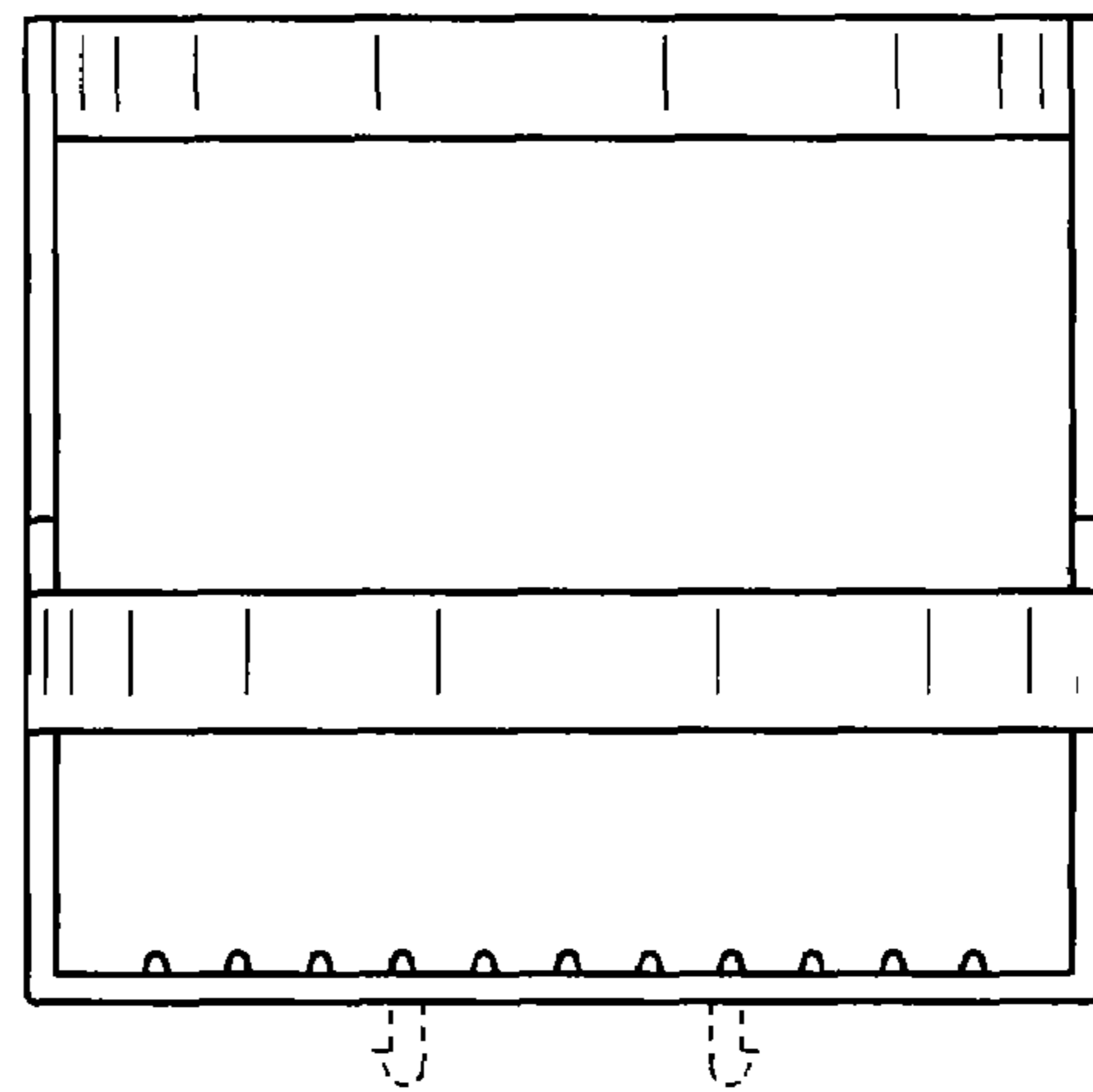


FIG. 7

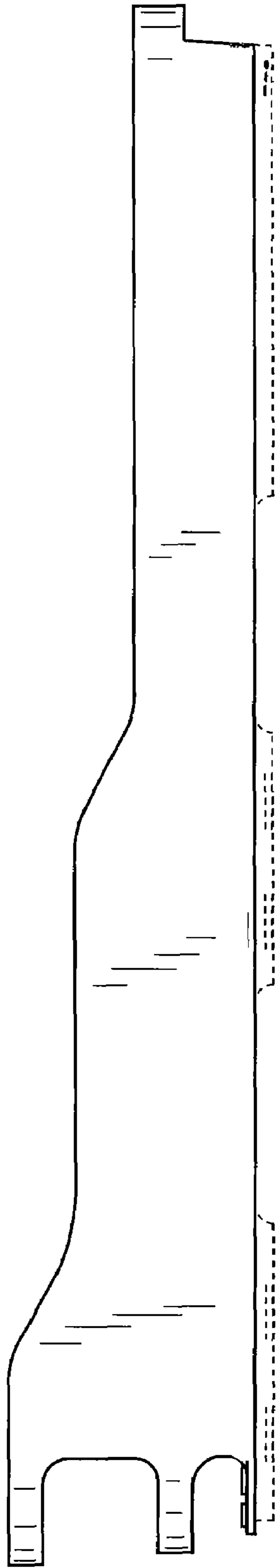


FIG. 2

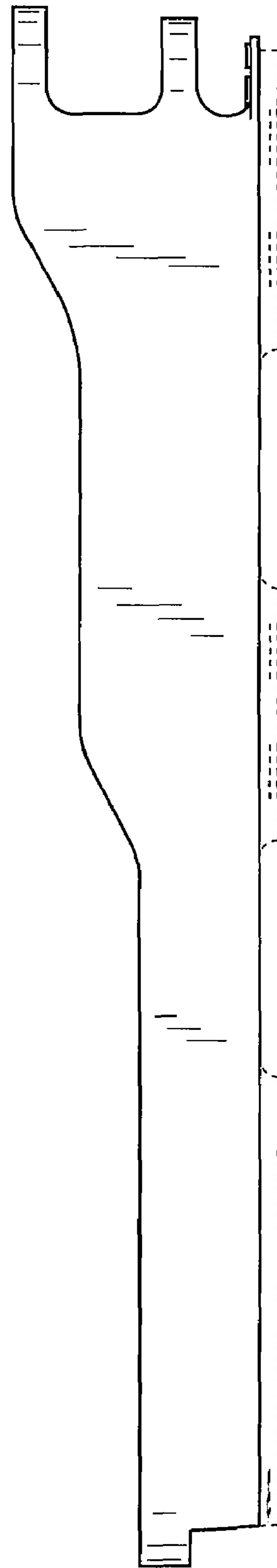


FIG. 3

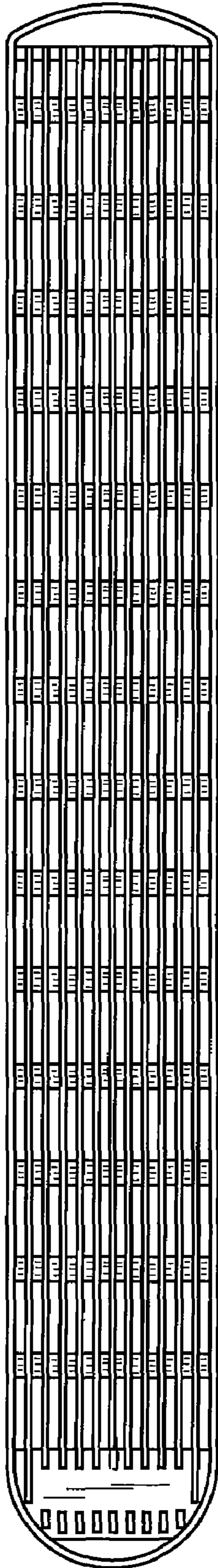


FIG. 4

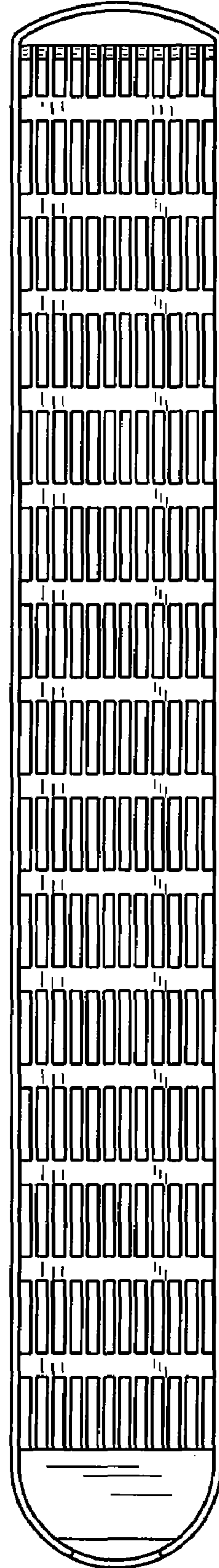


FIG. 5