



US00D552863S

(12) **United States Design Patent**
Natuzzi

(10) **Patent No.:** **US D552,863 S**
(45) **Date of Patent:** **** Oct. 16, 2007**

- (54) **SOFA**
- (75) **Inventor:** **Pasquale Natuzzi**, Santeramo in Colle Bari (IT)
- (73) **Assignee:** **Natuzzi S.p.A.**, Bari (IT)
- (**) **Term:** **14 Years**
- (21) **Appl. No.:** **29/249,039**
- (22) **Filed:** **Sep. 16, 2006**
- (51) **LOC (8) Cl.** **06-01**
- (52) **U.S. Cl.** **D6/381**
- (58) **Field of Classification Search** D6/334-337, D6/346, 377, 381, 500-502; 297/232, 445.1; 5/12.1, 12.2
See application file for complete search history.

Natuzzi sofa #102, International Home Furnishings Market, High Point, NC, Oct. 1987.*
 Natuzzi sofa #417, International Home Furnishings Market, High Point, NC, Oct. 1987.*
 Natuzzi sofa #725, International Home Furnishings Market, High Point, NC, Oct. 1989.*
 Natuzzi sofa #475, International Home Furnishings Market, High Point, NC, Oct. 1988.*
 Natuzzi sofa #159, International Home Furnishings Market, High Point, NC, Oct. 1986.*

* cited by examiner

Primary Examiner—Sandra Snapp
(74) *Attorney, Agent, or Firm*—Egbert Law Offices

(57) **CLAIM**

I claim the ornamental design for a sofa, as shown and described.

(56) **References Cited**

U.S. PATENT DOCUMENTS

D284,145 S *	6/1986	Staats et al.	D6/381
D298,191 S *	10/1988	Offredi	D6/381
4,848,839 A *	7/1989	Galardo	297/440.1
D352,404 S *	11/1994	Natuzzi et al.	D6/381
D365,456 S *	12/1995	Natuzzi et al.	D6/381
D425,654 S *	5/2000	Bleisch	D26/127
D530,527 S *	10/2006	Jourdan	D6/334

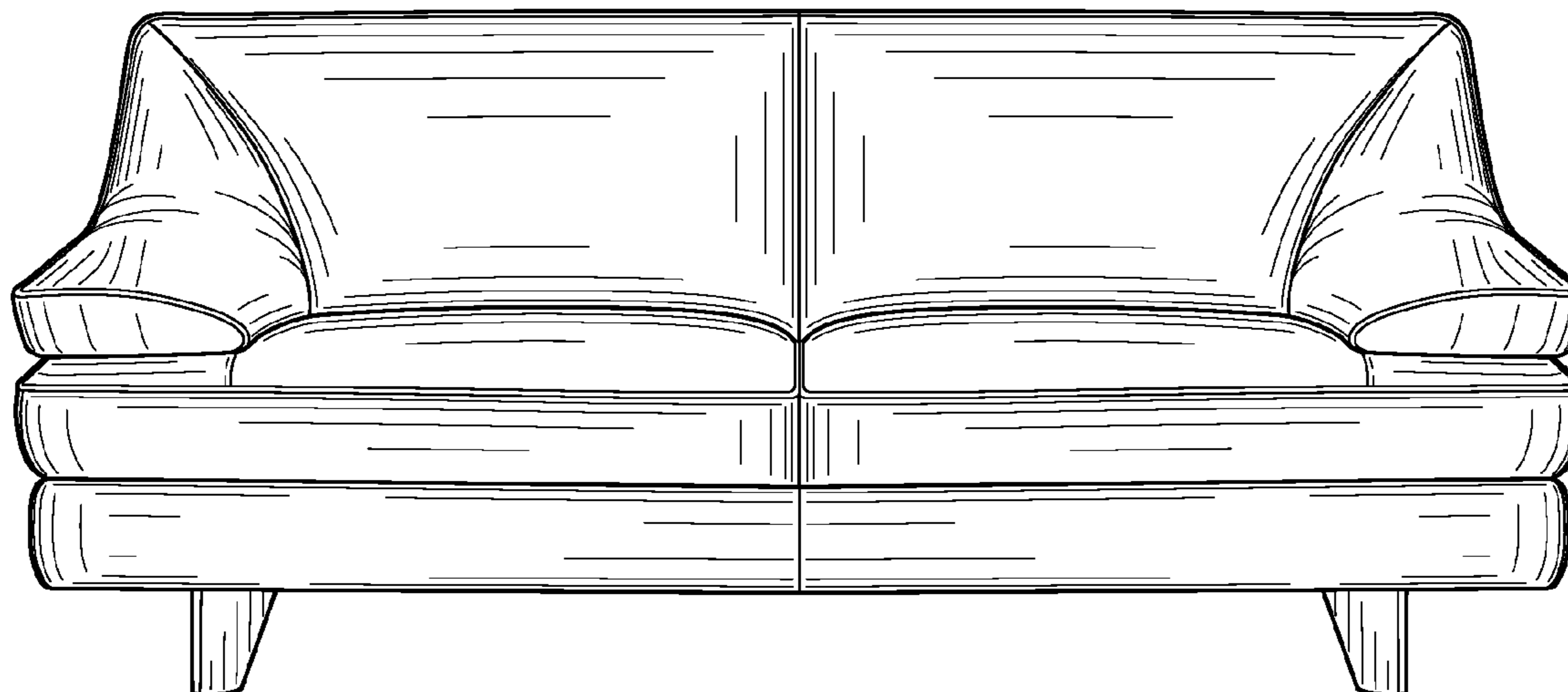
OTHER PUBLICATIONS

Natuzzi sofa #177, International Home Furnishings Market, High Point, NC, Apr. 1987.*

DESCRIPTION

FIG. 1 is a front elevation view of the sofa showing my design.
 FIG. 2 is top plan view thereof;
 FIG. 3 is a back perspective view thereof; and,
 FIG. 4 is a side view thereof, an opposite side view being a mirror image thereof.
 The broken lines shown on the sofa are understood to represent stitching.

1 Claim, 2 Drawing Sheets



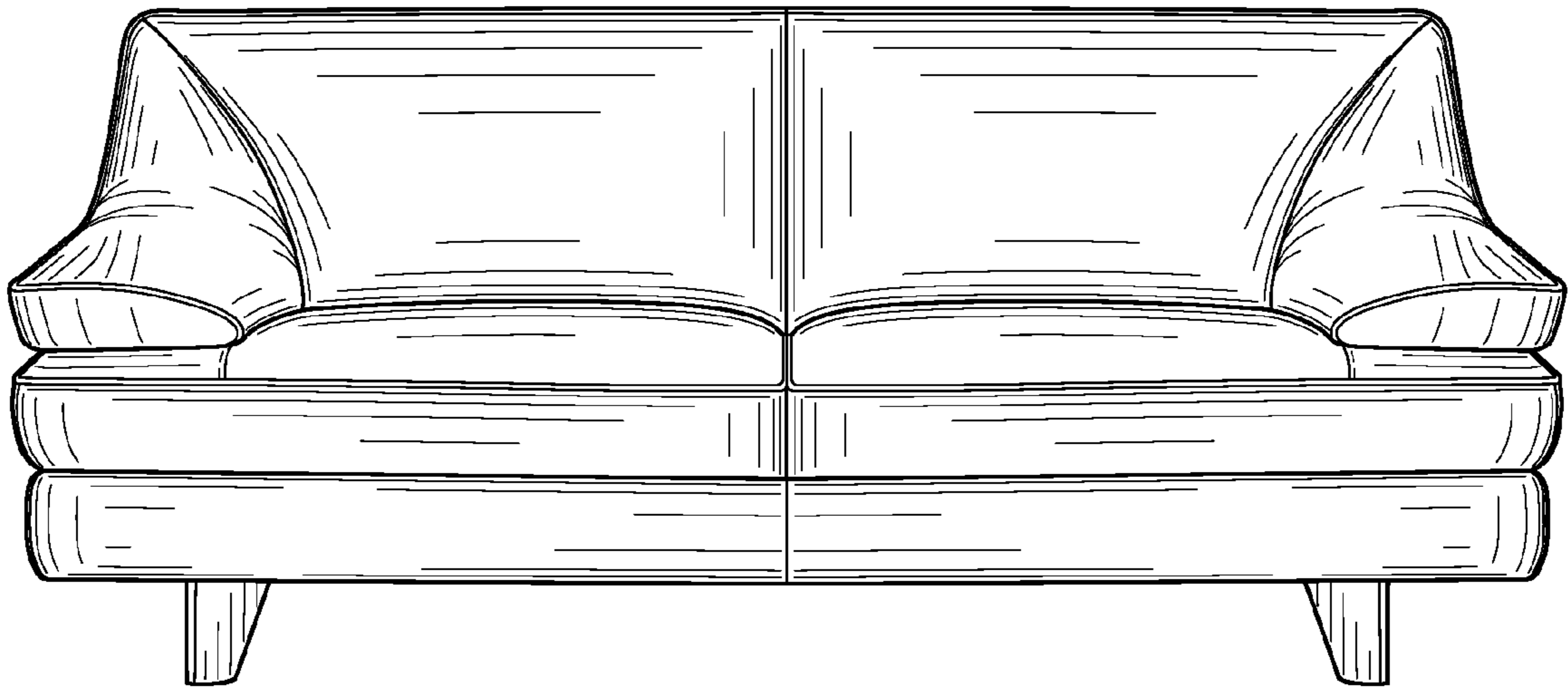


FIG. 1

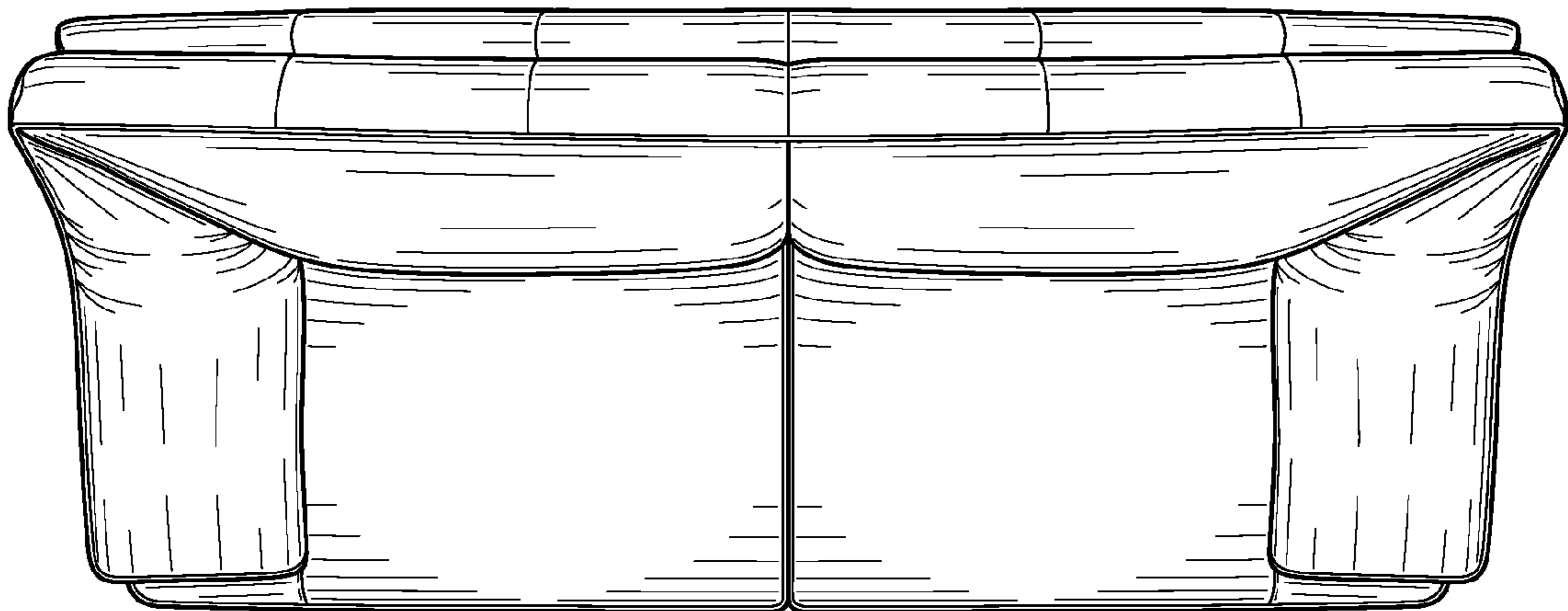


FIG. 2

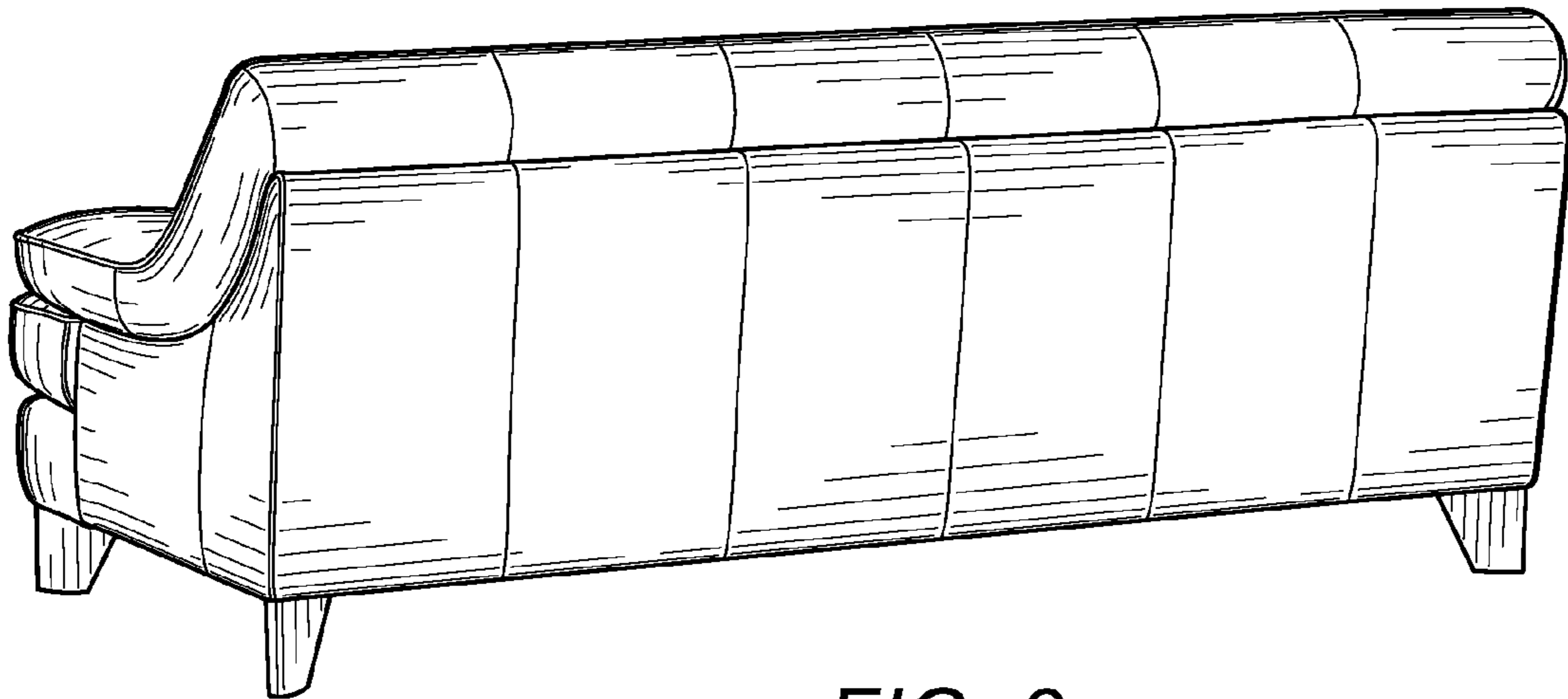


FIG. 3

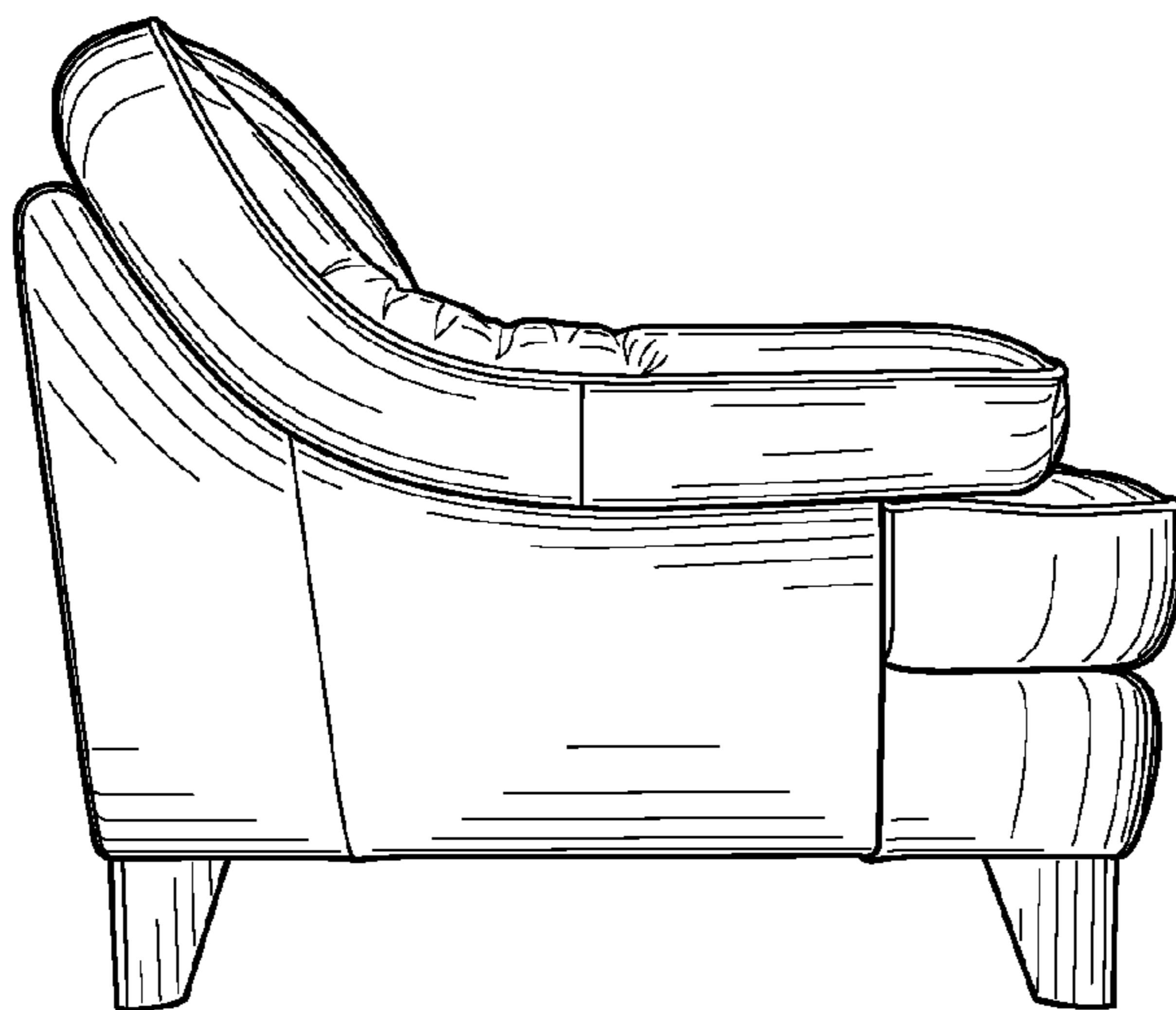


FIG. 4