



US00D552862S

(12) **United States Design Patent**
Natuzzi

(10) **Patent No.:** **US D552,862 S**

(45) **Date of Patent:** **** Oct. 16, 2007**

(54) **SOFA**

D527,541 S * 9/2006 Natuzzi D6/381
D541,074 S * 4/2007 Natuzzi D6/381

(75) Inventor: **Pasquale Natuzzi**, Santeramo in Colle
Bari (IT)

OTHER PUBLICATIONS

(73) Assignee: **Natuzzi S.p.A.**, Bari (IT)

Natuzzi sofa #1343, International Home Furnishings Market, High Point, NC, Sep. 1995.*

(**) Term: **14 Years**

Natuzzi sofa #1635, International Home Furnishings Market, High Point, NC, Oct. 1997.*

(21) Appl. No.: **29/249,038**

Bulldog sofa, Conran's catalog, p. 8, 1980.*

(22) Filed: **Sep. 16, 2006**

Beta sofa, Schoner Wohnen catalog, Oct. 2001.*

(51) **LOC (8) Cl.** **06-01**

* cited by examiner

(52) **U.S. Cl.** **D6/381**

Primary Examiner—Sandra Snapp

(58) **Field of Classification Search** D6/334–337,
D6/346, 377, 381, 500–502; 297/232, 445.1;
5/12.1, 12.2
See application file for complete search history.

(74) *Attorney, Agent, or Firm*—Egbert Law Offices

(57) **CLAIM**

(56) **References Cited**

I claim the ornamental design for a sofa, as shown and described.

DESCRIPTION

U.S. PATENT DOCUMENTS

FIG. 1 is a front perspective view of the sofa showing my design;

D263,770 S *	4/1982	Melchior	D6/334
D425,711 S *	5/2000	Desombre	D6/334
D429,082 S *	8/2000	Desombre	D6/381
D477,152 S *	7/2003	Levy	D6/381
D484,327 S *	12/2003	Ricci	D6/381
D495,514 S *	9/2004	Ricci	D6/381
D495,892 S *	9/2004	Ricci	D6/381
D495,893 S *	9/2004	Ricci	D6/381
D499,261 S *	12/2004	Ricci	D6/381
D515,333 S *	2/2006	Natuzzi	D6/381
D515,334 S *	2/2006	Natuzzi	D6/381

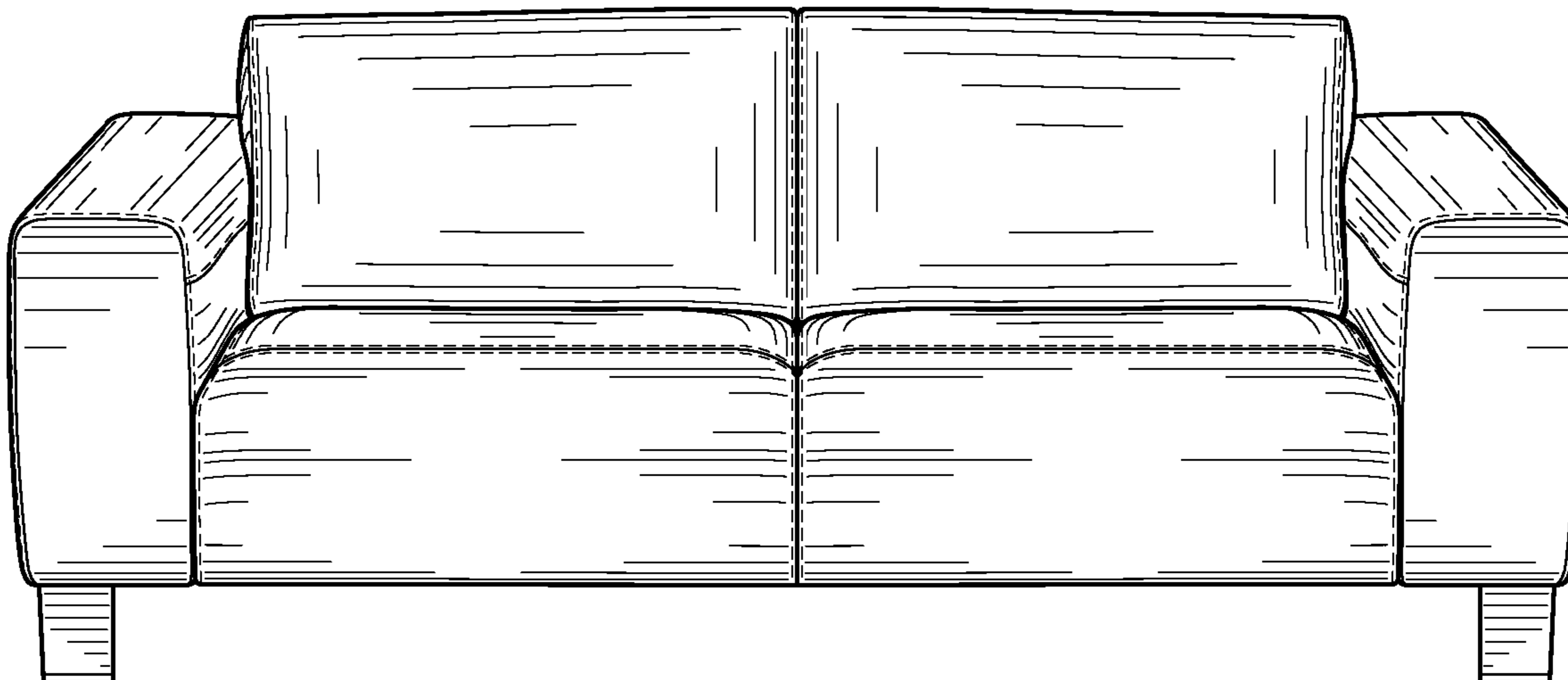
FIG. 2 is top plan view thereof;

FIG. 3 is a back perspective view thereof; and,

FIG. 4 is a side view thereof, an opposite side view being a mirror image thereof.

The broken lines shown on the sofa are understood to represent stitching.

1 Claim, 2 Drawing Sheets



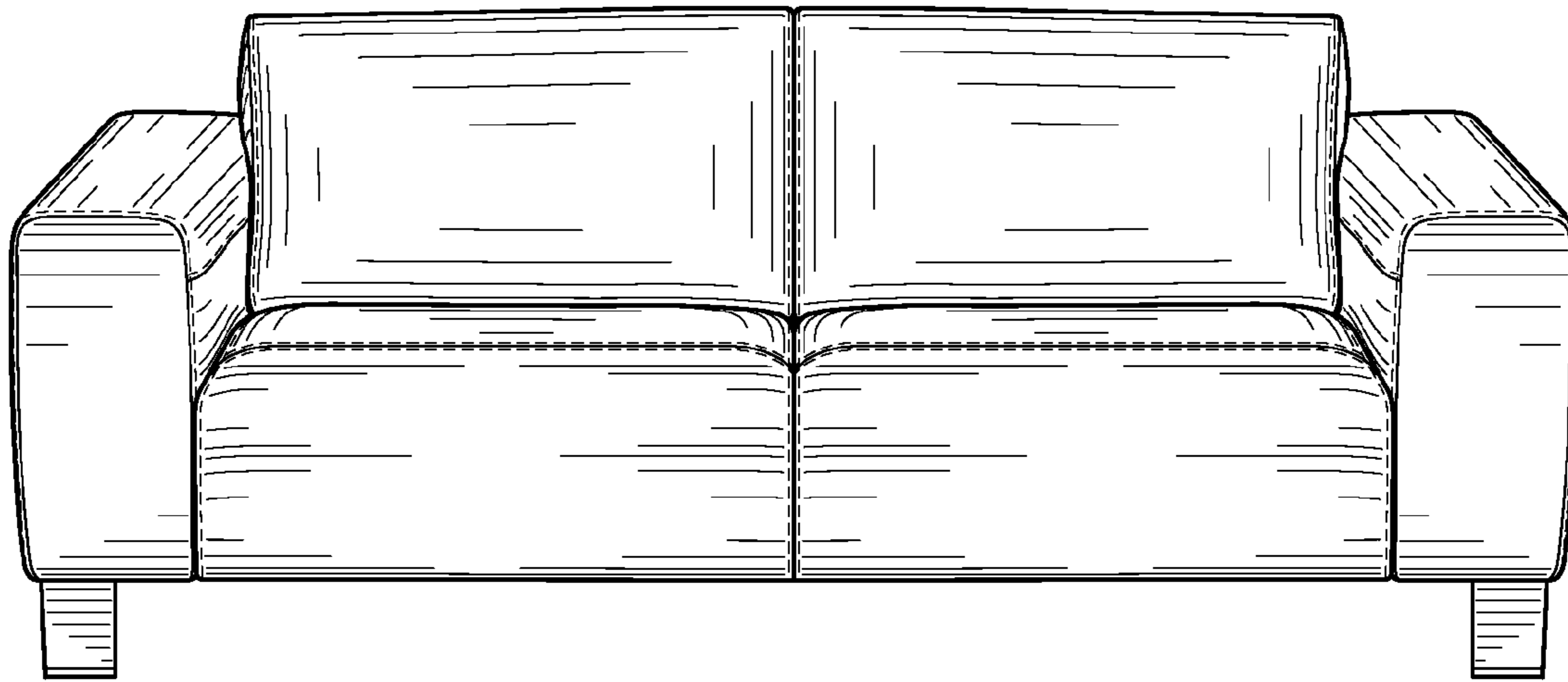


FIG. 1

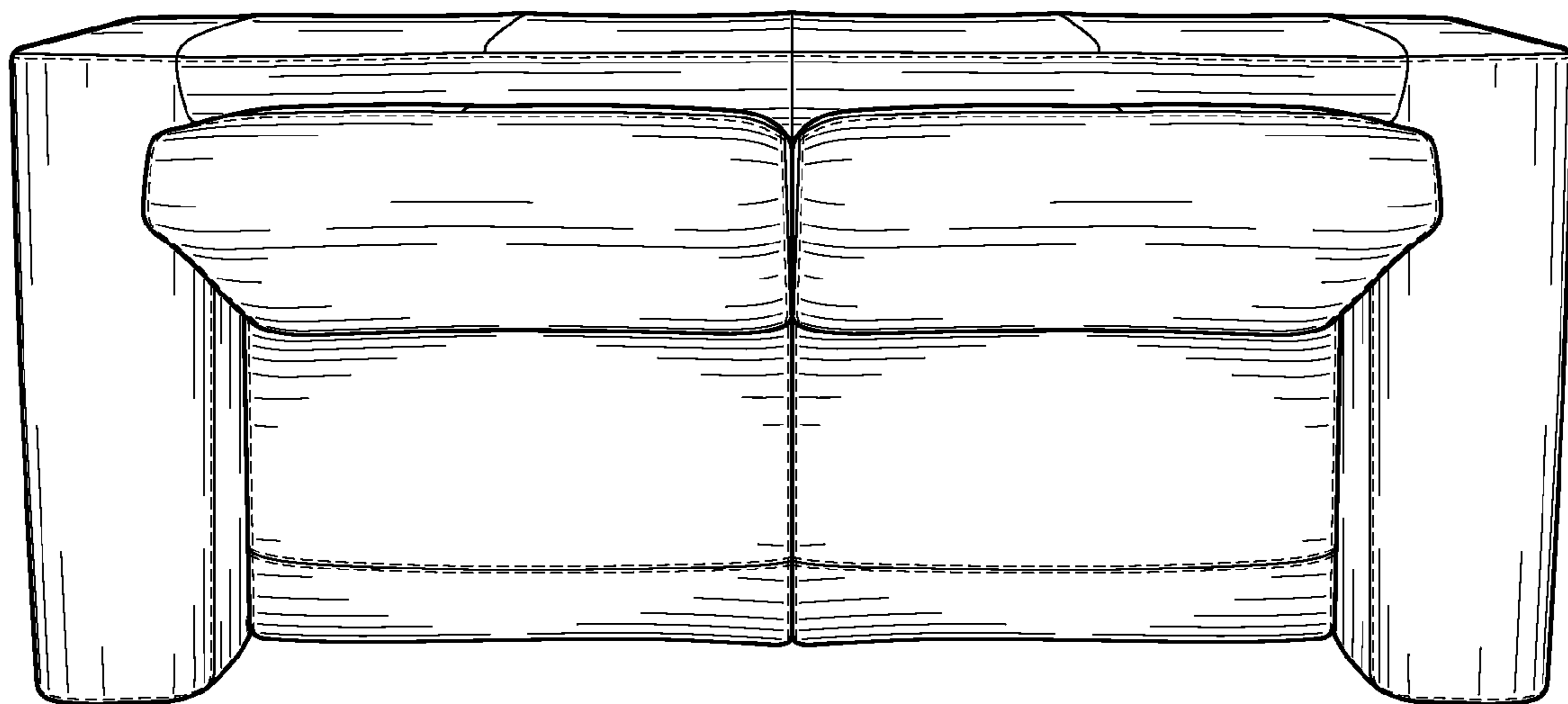


FIG. 2

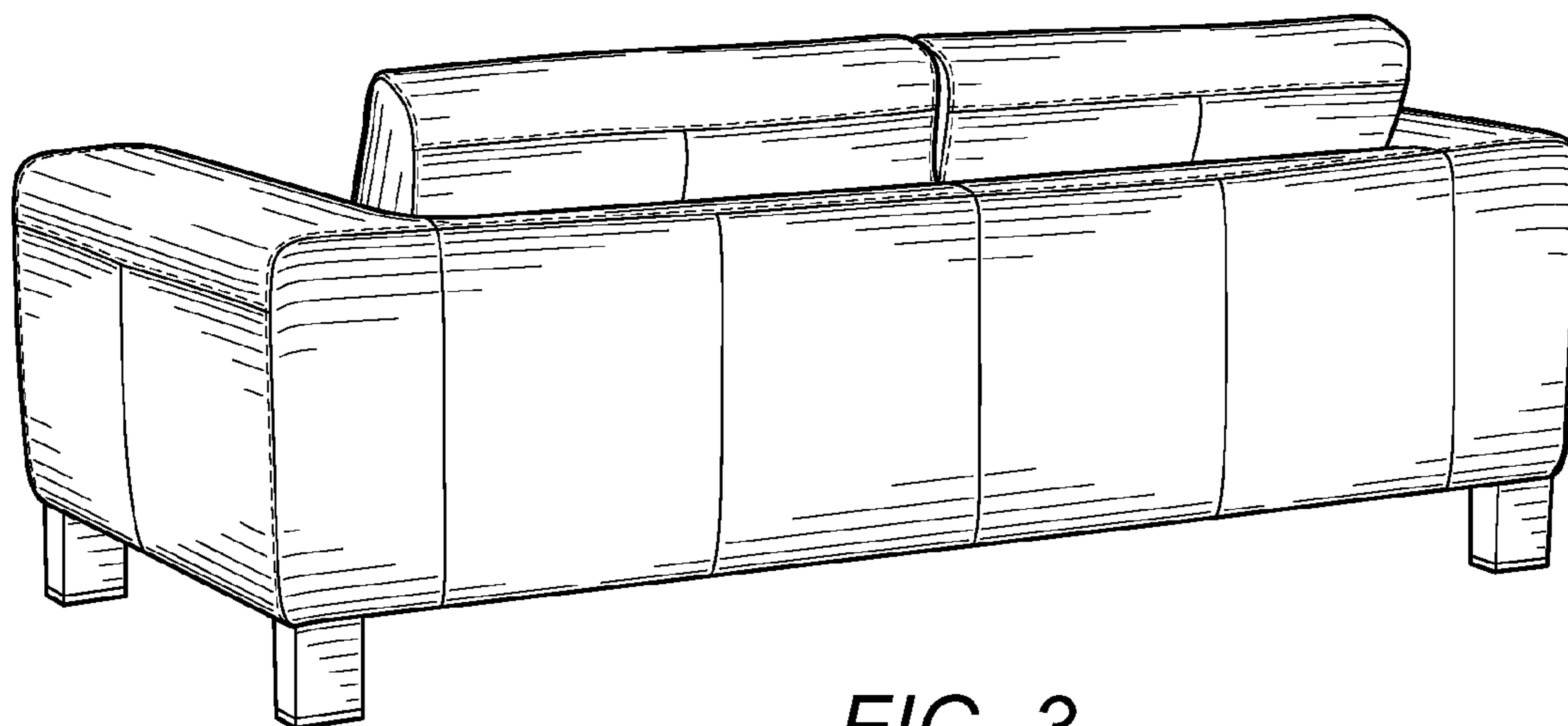


FIG. 3

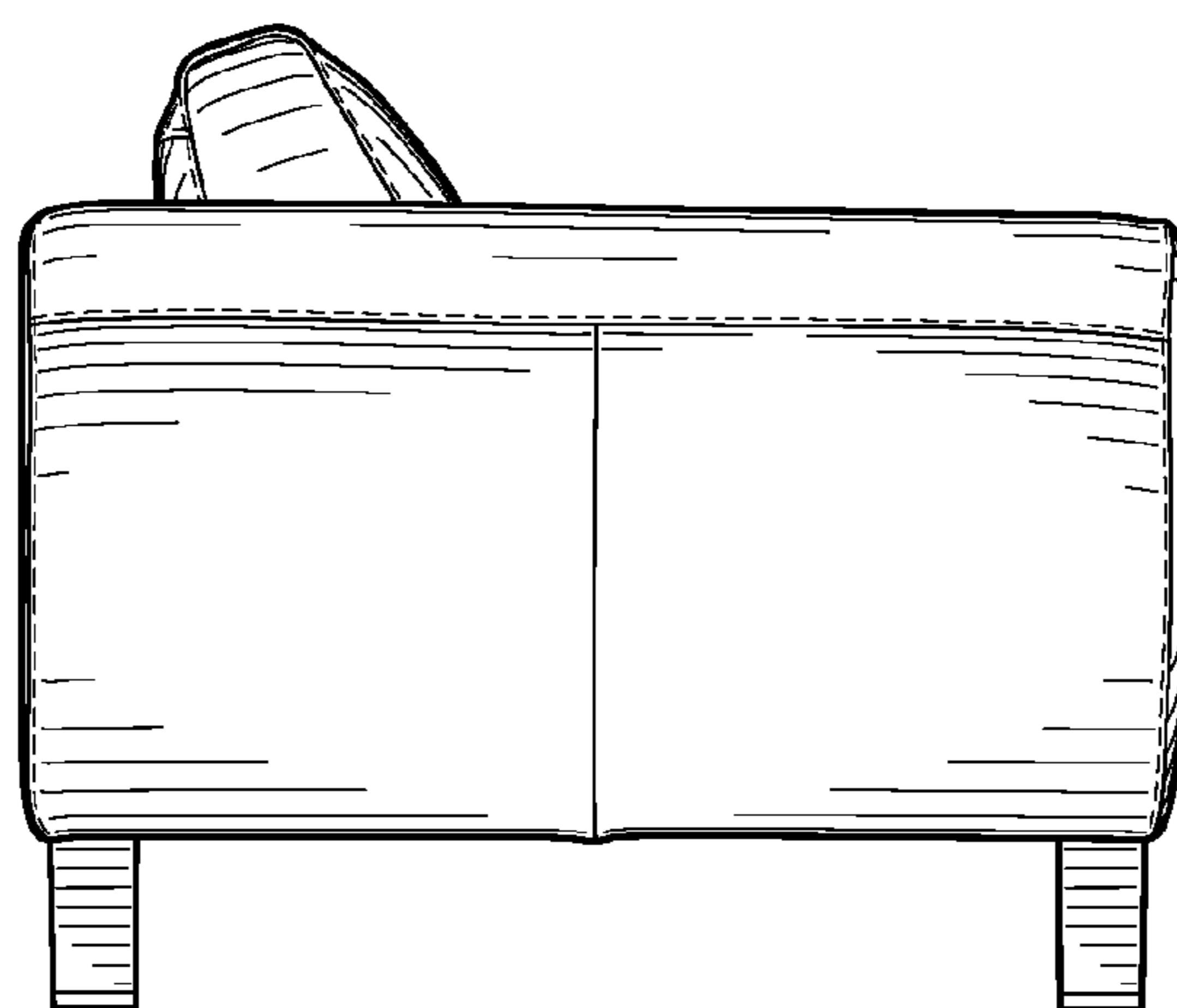


FIG. 4