



US00D552850S

(12) **United States Design Patent**
Wu

(10) **Patent No.:** **US D552,850 S**

(45) **Date of Patent:** **** Oct. 16, 2007**

(54) **PULL HANDLE FOR SUITCASE**

(75) Inventor: **Chen-Chuan Wu**, hsin Chuang (TW)

(73) Assignee: **Hersun Plastic Co., Ltd.**, Taipei Hsien (TW)

(**) Term: **14 Years**

(21) Appl. No.: **29/277,124**

(22) Filed: **Feb. 15, 2007**

(51) **LOC (8) Cl.** **03-01**

(52) **U.S. Cl.** **D3/318**

(58) **Field of Classification Search** D3/276,
D3/279, 282, 291, 320, 328, 215, 218, 254,
D3/255; D32/318; 190/18 A, 39, 115; D8/300-302,
D8/315-317, 319-320; 16/110.1, 113.1,
16/114.1, 405-406, 408, 421-422
See application file for complete search history.

(56) **References Cited**

U.S. PATENT DOCUMENTS

5,970,579 A * 10/1999 Lu 16/405
D424,400 S * 5/2000 Lin D8/302
D432,895 S * 10/2000 Lu D8/316
D450,998 S * 11/2001 Wang D8/316

D504,773 S * 5/2005 Lu D3/318
6,918,475 B2 * 7/2005 Lin et al. 190/115
D532,973 S * 12/2006 Moon D3/318

* cited by examiner

Primary Examiner—Louis S. Zarfes

Assistant Examiner—Kathleen Sims

(74) *Attorney, Agent, or Firm*—Ming Chow; Sinorica, LLC

(57) **CLAIM**

The ornamental design for a pull handle for suitcase, as shown and described.

DESCRIPTION

FIG. 1 is a perspective view of pull handle for suitcase showing my design;

FIG. 2 is a front elevational view thereof;

FIG. 3 is a rear elevational view thereof;

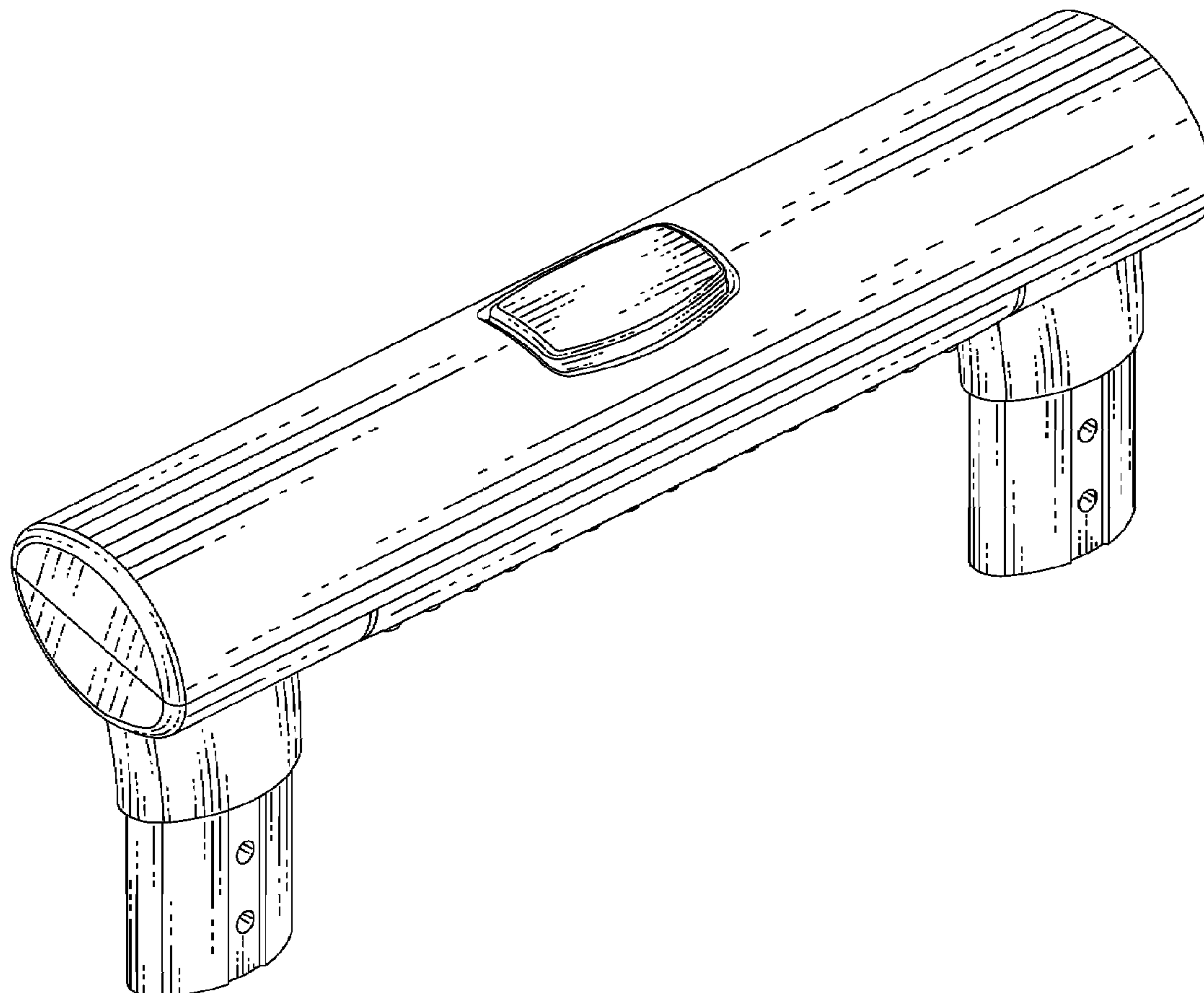
FIG. 4 is a left elevational view thereof;

FIG. 5 is a right elevational view thereof;

FIG. 6 is a top elevational view thereof; and,

FIG. 7 is a bottom elevational view thereof.

1 Claim, 4 Drawing Sheets



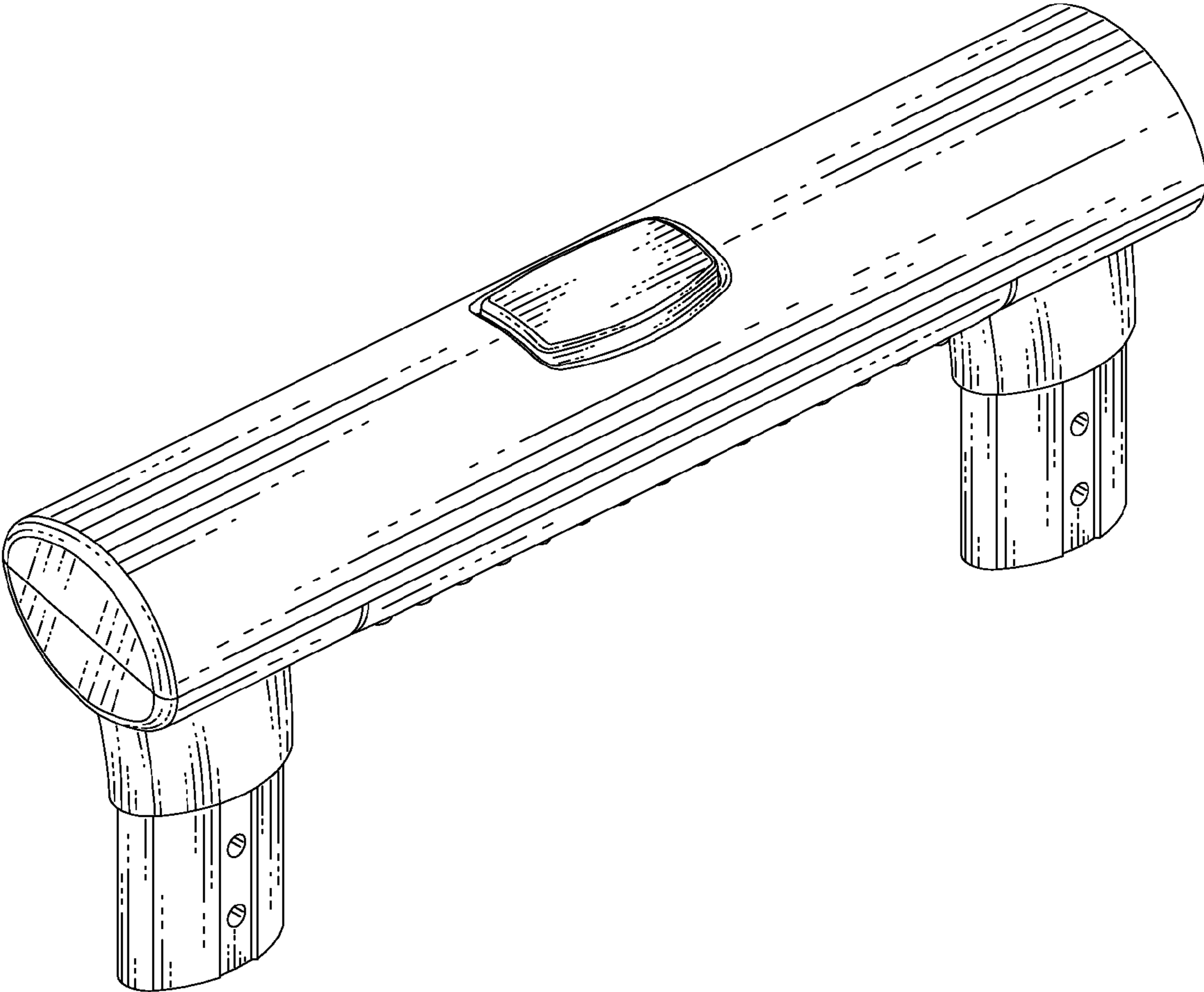


FIG. 1

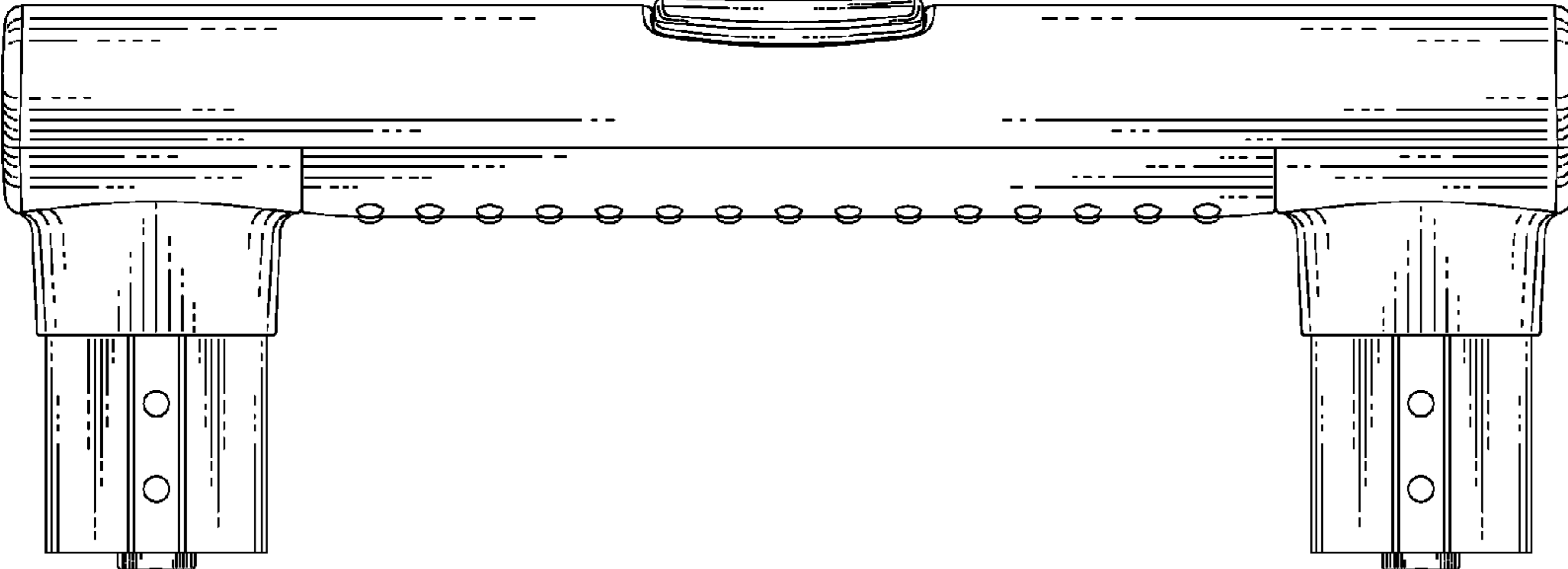


FIG. 2

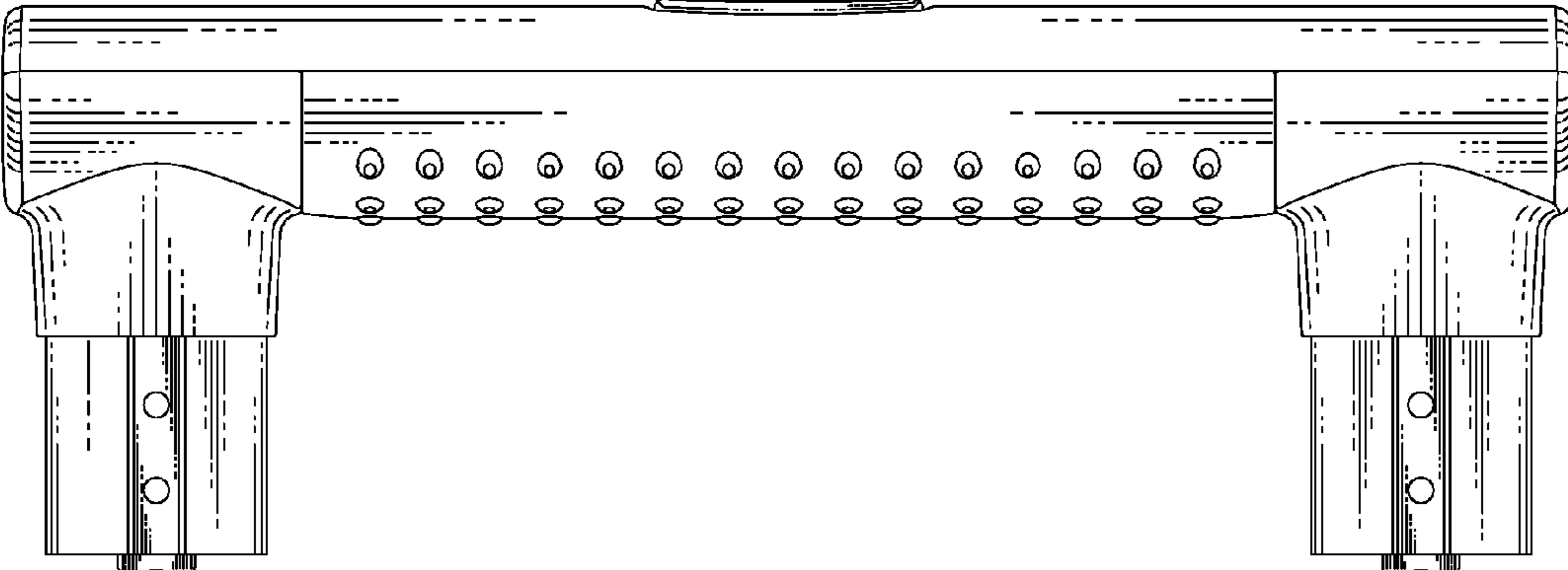


FIG. 3

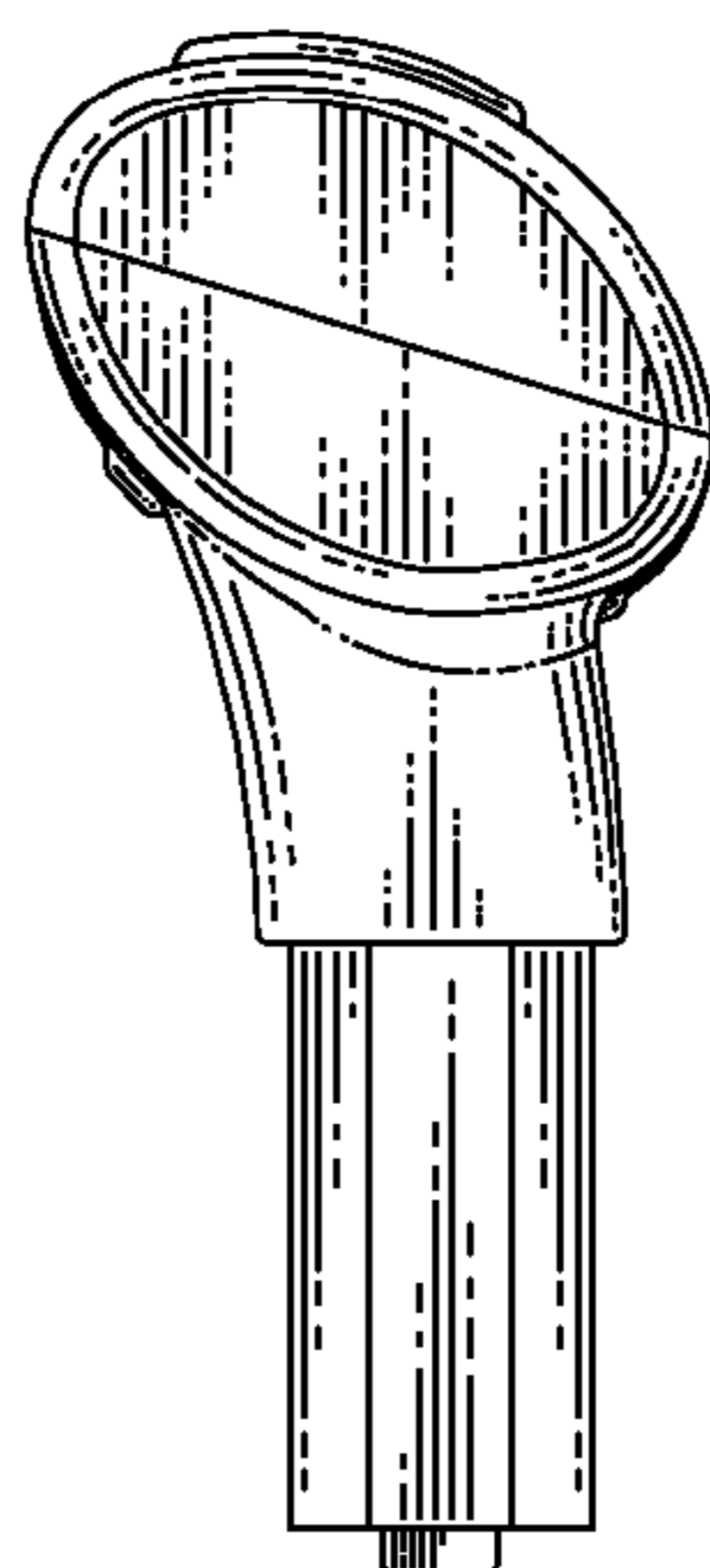


FIG. 4

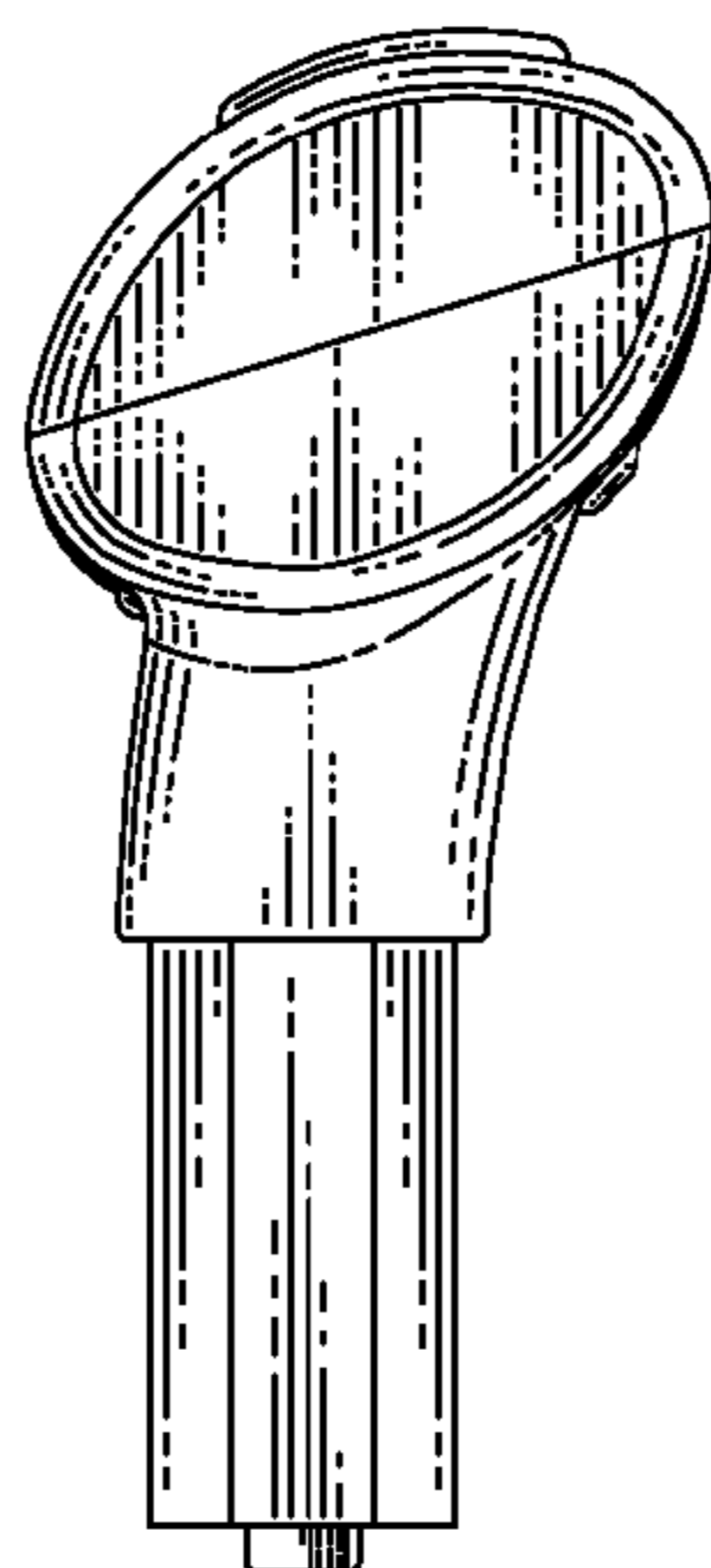


FIG. 5

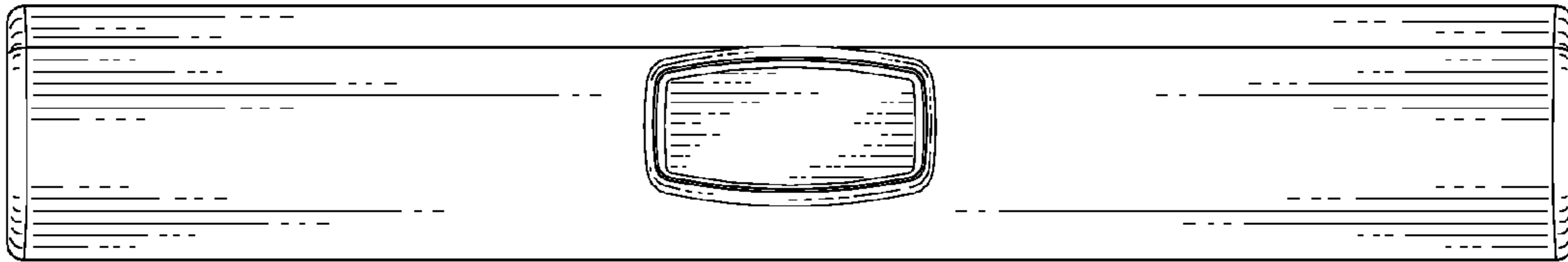


FIG. 6

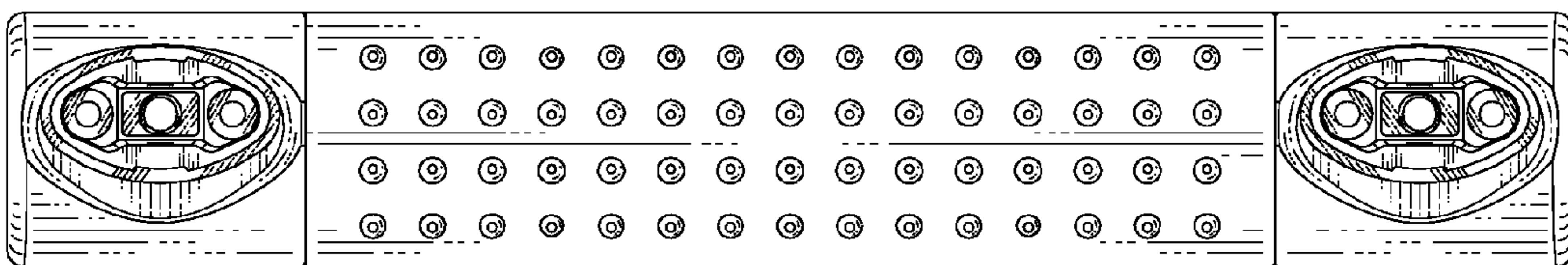


FIG. 7