



US00D552847S

(12) **United States Design Patent** (10) **Patent No.:** **US D552,847 S**
Vivar et al. (45) **Date of Patent:** **** Oct. 16, 2007**

(54) **WALLET WITH THREADED SCREWCAP CLOSURE**

(75) Inventors: **Cristobal Vivar**, New York, NY (US);
Marta Blair, New York, NY (US)

(73) Assignee: **Juicywallets**, New York City, NY (US)

(**) Term: **14 Years**

(21) Appl. No.: **29/264,300**

(22) Filed: **Aug. 9, 2006**

Related U.S. Application Data

(62) Division of application No. 29/235,987, filed on Aug. 10, 2005, now Pat. No. Des. 529,283.

(51) **LOC (8) Cl.** **03-01**

(52) **U.S. Cl.** **D3/247**

(58) **Field of Classification Search** D3/243,
D3/248, 273, 290, 299, 203-204, 215, 234,
D3/226, 233, 218, 247, 201, 232, 283; 150/106,
150/112, 132, 143; 224/240, 245, 901, 904
See application file for complete search history.

(56) **References Cited**

U.S. PATENT DOCUMENTS

814,205	A *	3/1906	Hawes	150/149
D44,914	S	11/1913	Buckley	
D46,889	S	1/1915	Smith	
1,885,736	A *	11/1932	Enfant	150/153
1,979,475	A	11/1934	Knettles	
2,020,797	A *	11/1935	Pabst, Jr.	206/39.4
2,134,971	A	11/1938	Guyer	
2,288,704	A *	7/1942	Herbener	150/141
D157,289	S *	2/1950	Potter	D3/251
2,598,070	A *	5/1952	Randall	206/19
2,774,404	A *	12/1956	Houghton	150/136
3,847,195	A	11/1974	Tyrseck	
3,970,129	A	7/1976	Tepfer	
D265,021	S *	6/1982	Hayman et al.	D3/247
D266,204	S *	9/1982	Berman	D3/230
D304,781	S	11/1989	Hanson	

D329,327	S	9/1992	Holtzclaw, Jr.	
D336,565	S *	6/1993	Wenk	D3/247
D346,490	S	5/1994	Prosa	
5,358,172	A	10/1994	Hollander et al.	
5,454,644	A	10/1995	Augustin	
5,464,108	A	11/1995	Samelson	
D368,581	S	4/1996	Cincotta	
5,653,276	A	8/1997	Niernberger	
5,782,280	A	7/1998	Berry	
D408,128	S *	4/1999	Sheiner	D3/203.2
D429,562	S	8/2000	Lau	
D438,008	S	2/2001	Snider	
D440,253	S	4/2001	Wolff et al.	
D442,781	S	5/2001	Snider	
6,336,584	B1	1/2002	Roch et al.	
D456,989	S	5/2002	Carothers et al.	

* cited by examiner

Primary Examiner—Louis S. Zarfes

Assistant Examiner—Kathleen Sims

(74) *Attorney, Agent, or Firm*—Arent Fox LLP

(57) **CLAIM**

The ornamental design for a wallet with threaded screwcap closure, as shown and described.

DESCRIPTION

FIG. 1 is a perspective view of a wallet with threaded screwcap closure thereon as seen from the left side showing our new design;

FIG. 2 is a front view of the wallet;

FIG. 3 is a back view of the wallet;

FIG. 4 is a bottom view of the wallet;

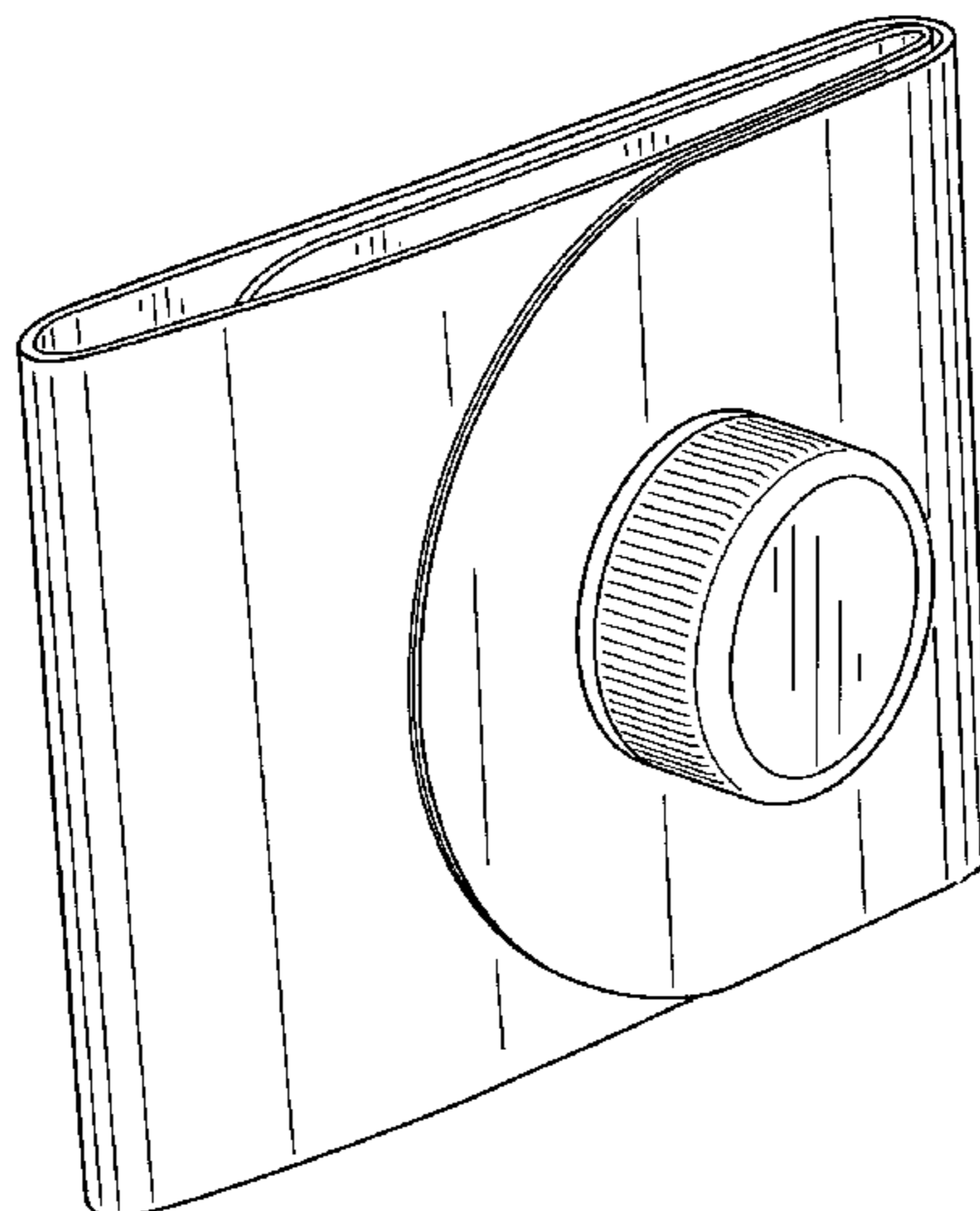
FIG. 5 is a top view of the wallet;

FIG. 6 is a right side view of the wallet;

FIG. 7 is a left side view of the wallet; and,

FIG. 8 is a perspective view of the wallet partially opened with the threaded screwcap closure removed therefrom as seen from the right front side.

1 Claim, 4 Drawing Sheets



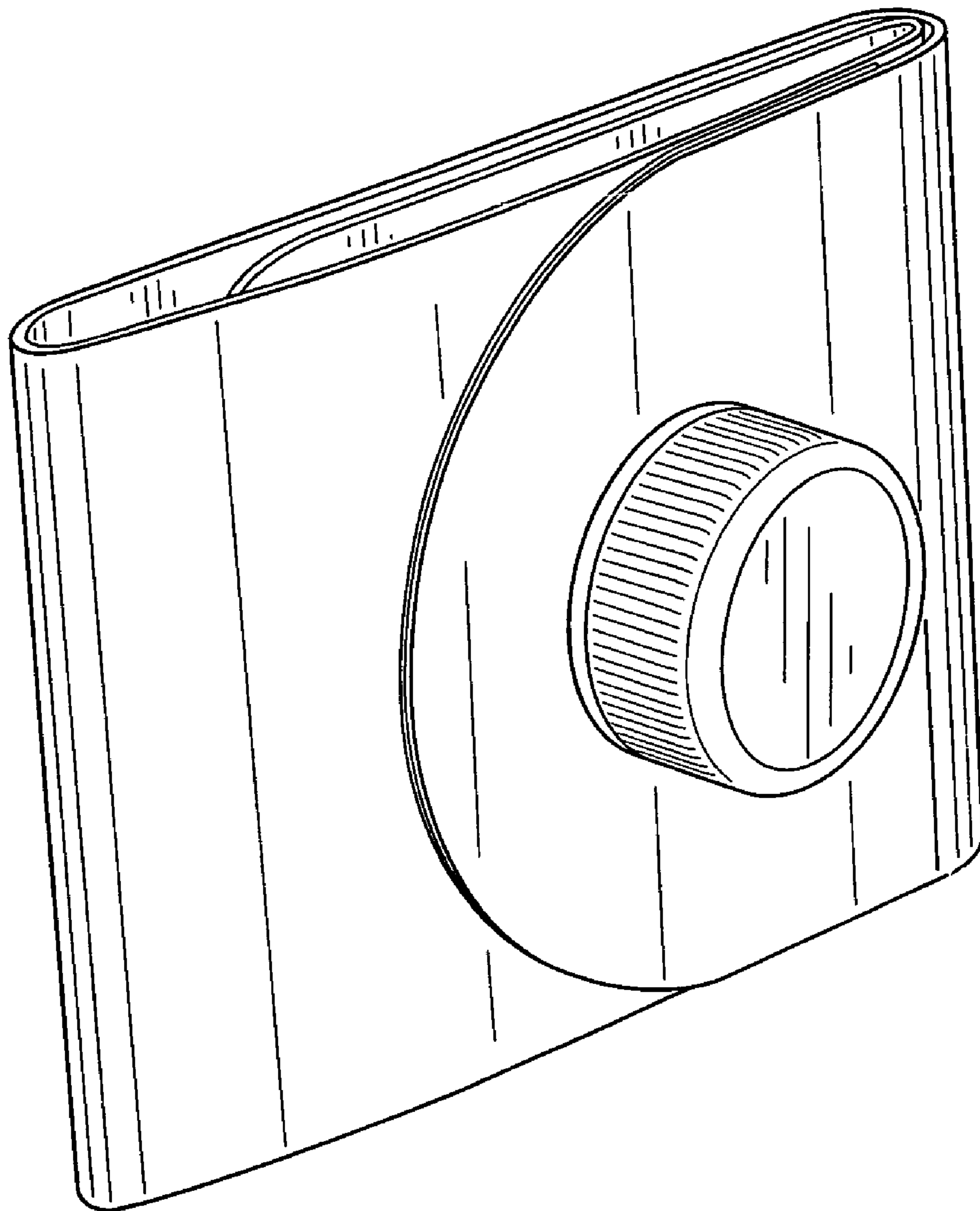


FIG.1

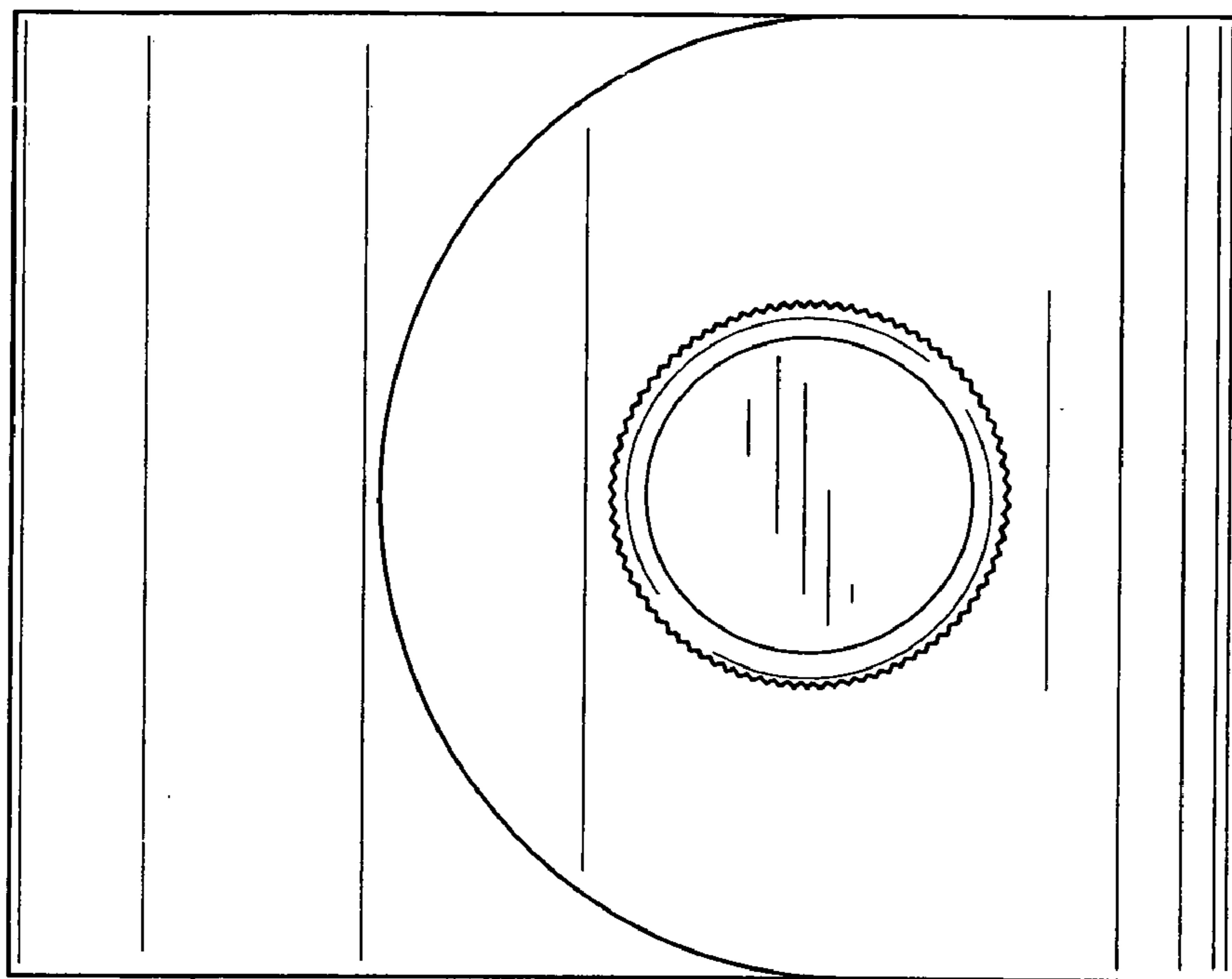


FIG. 2

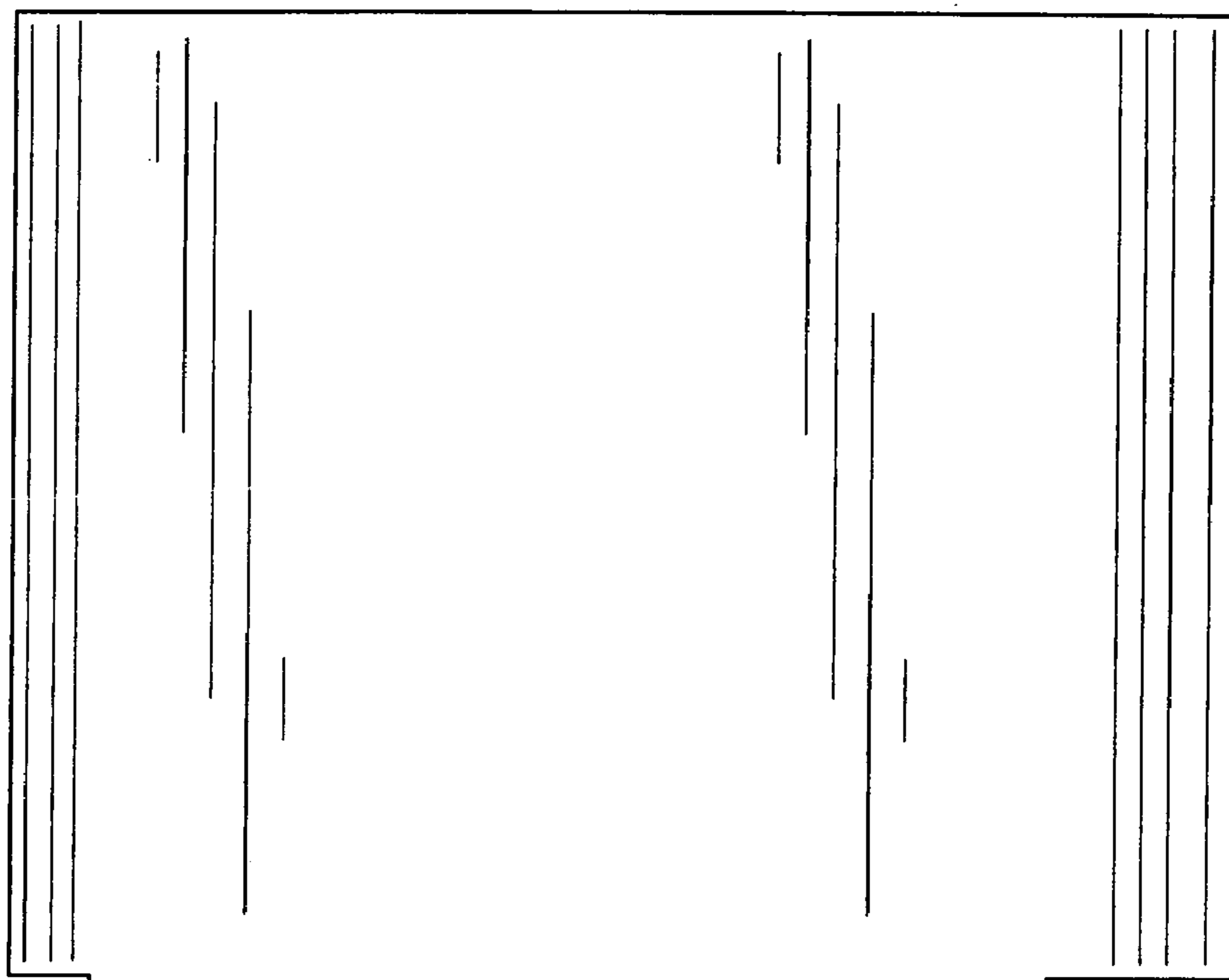


FIG. 3

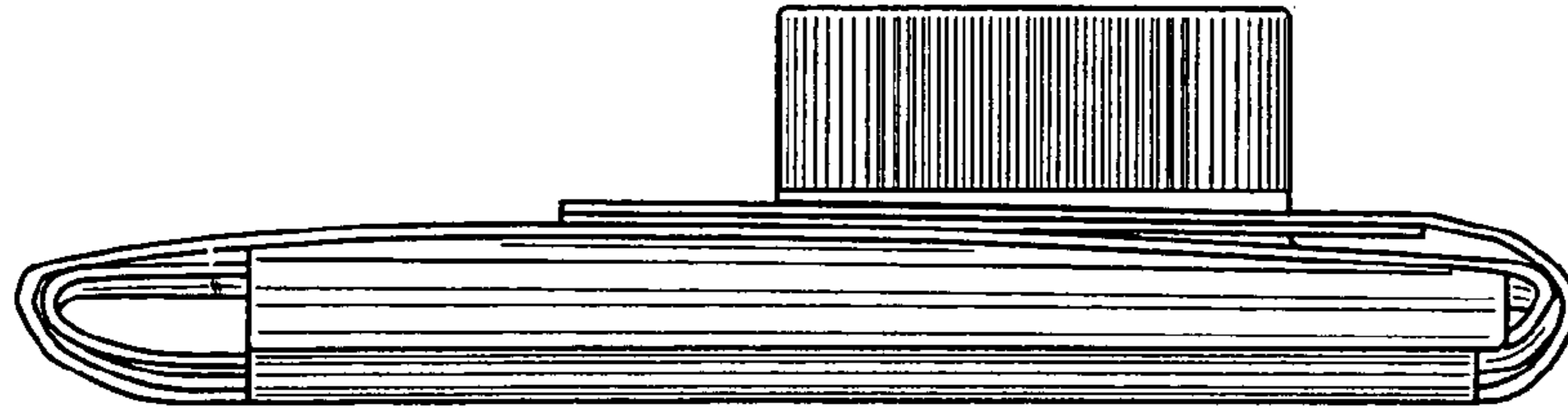


FIG. 4

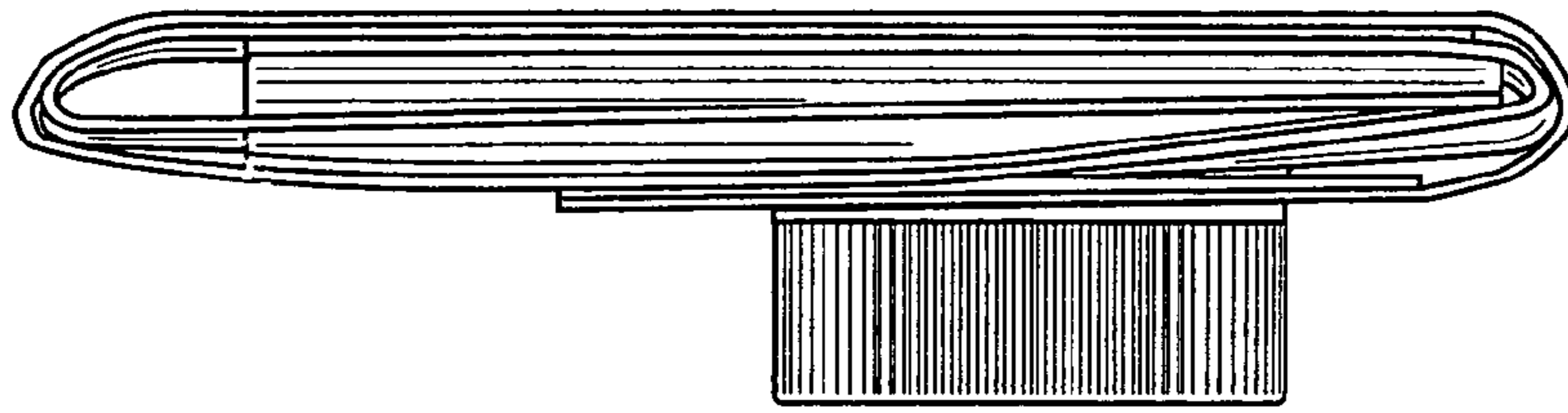


FIG. 5

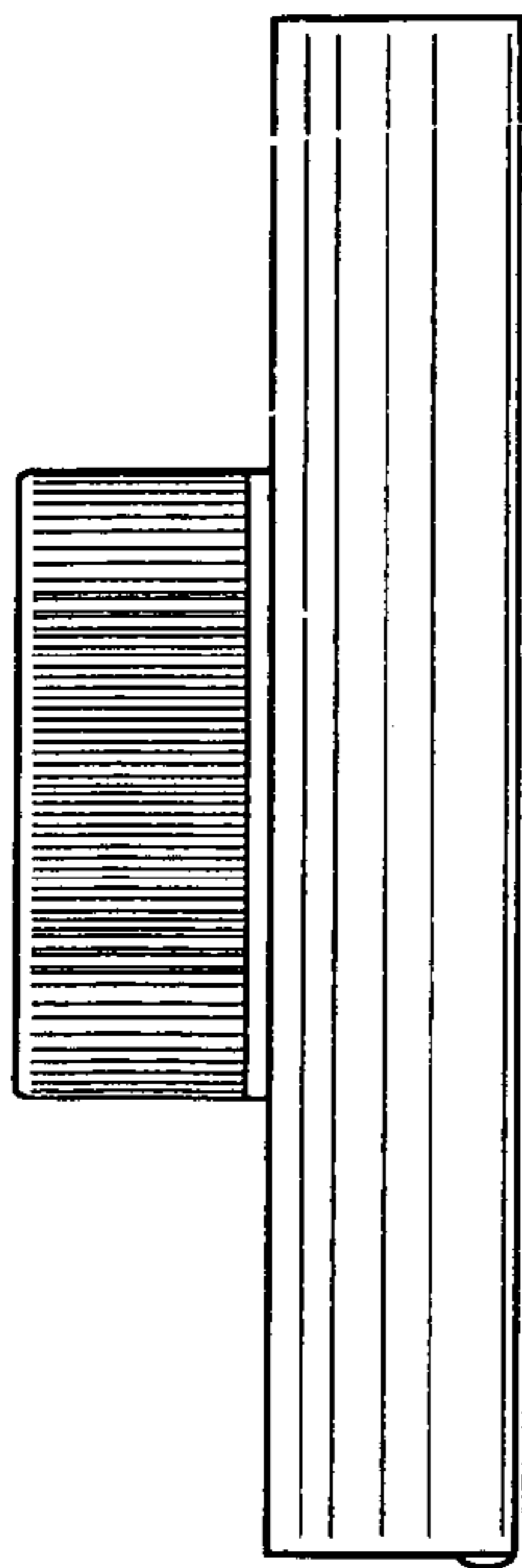


FIG. 6

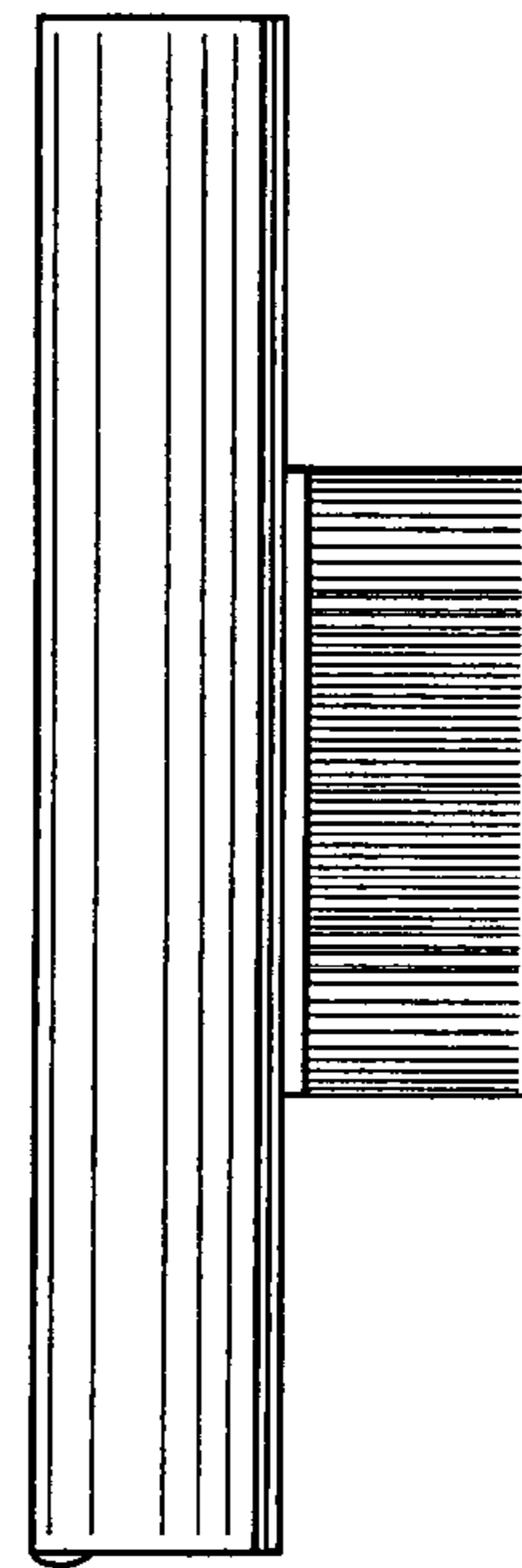


FIG. 7

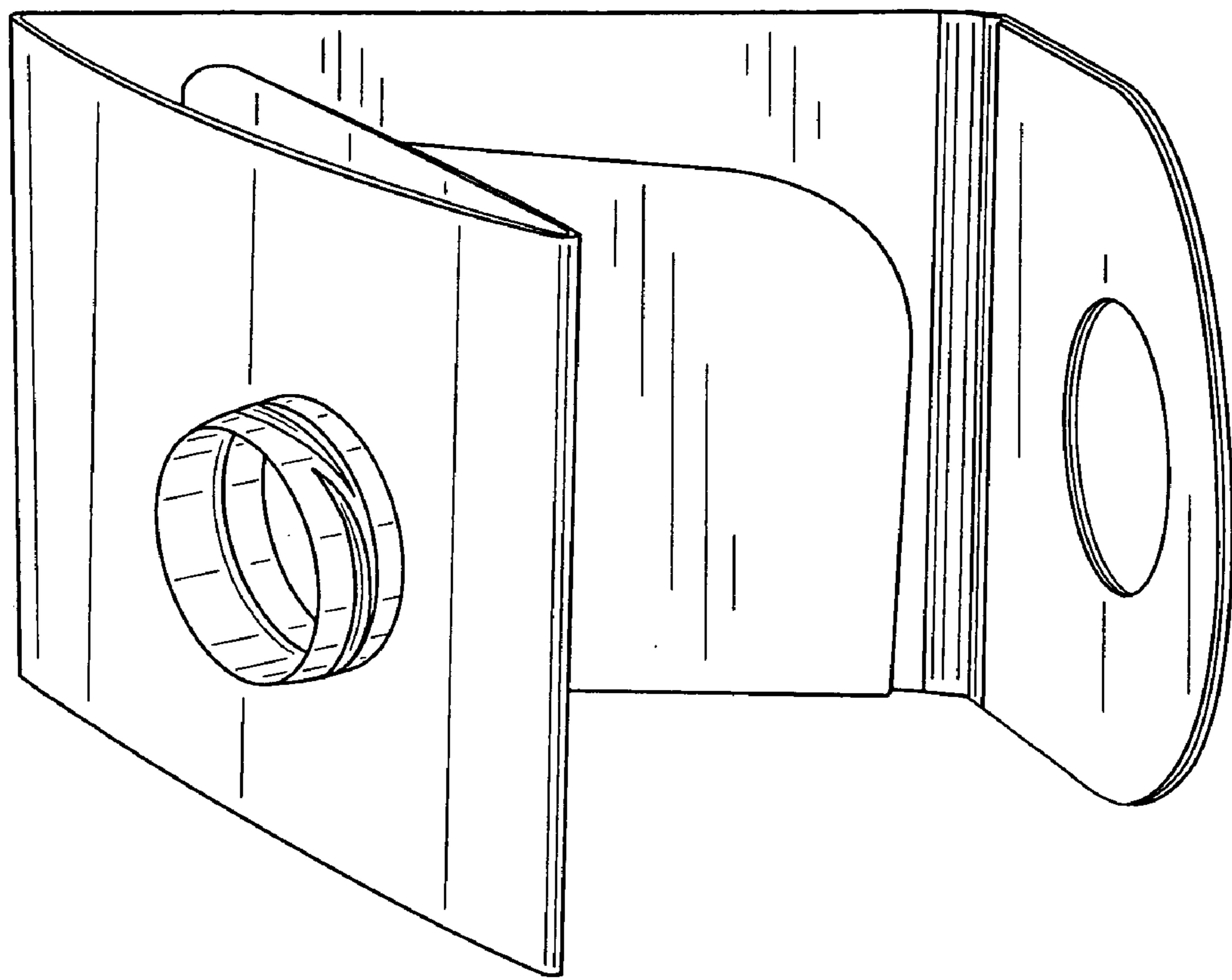


FIG.8