



US00D552846S

(12) **United States Design Patent**
Lagerberg et al.

(10) **Patent No.:** **US D552,846 S**

(45) **Date of Patent:** **** Oct. 16, 2007**

(54) **HOLSTER FOR DIGITAL MULTIMETER CASE**

Primary Examiner—Catherine R. Oliver
(74) *Attorney, Agent, or Firm*—Richard A Koske; James H Walters

(75) Inventors: **Chris W Lagerberg**, Seattle, WA (US);
Edmond C Eng, Kirkland, WA (US)

(57) **CLAIM**

(73) Assignee: **Fluke Corporation**, Everett, WA (US)

We claim the ornamental design for a holster for digital multimeter case, as shown and described.

(**) Term: **14 Years**

(21) Appl. No.: **29/249,457**

DESCRIPTION

(22) Filed: **Oct. 6, 2006**

FIG. 1 is a perspective view of the design for a holster for digital multimeter case;

(51) **LOC (8) Cl.** **03-01**

FIG. 2 is a front elevation view of the design of FIG. 1;

(52) **U.S. Cl.** **D3/228**

FIG. 3 is a bottom elevation view of the design of FIG. 1.

(58) **Field of Classification Search** D3/215,
D3/201, 228, 224, 226; 224/240, 245
See application file for complete search history.

FIG. 4 is a left side elevation view of the design of FIG. 1;

FIG. 5 is a right side elevation view of the design of FIG. 1;

FIG. 6 is a rear elevation view of the design of FIG. 1; and,

FIG. 7 is a top elevation view of the design of FIG. 1.

(56) **References Cited**

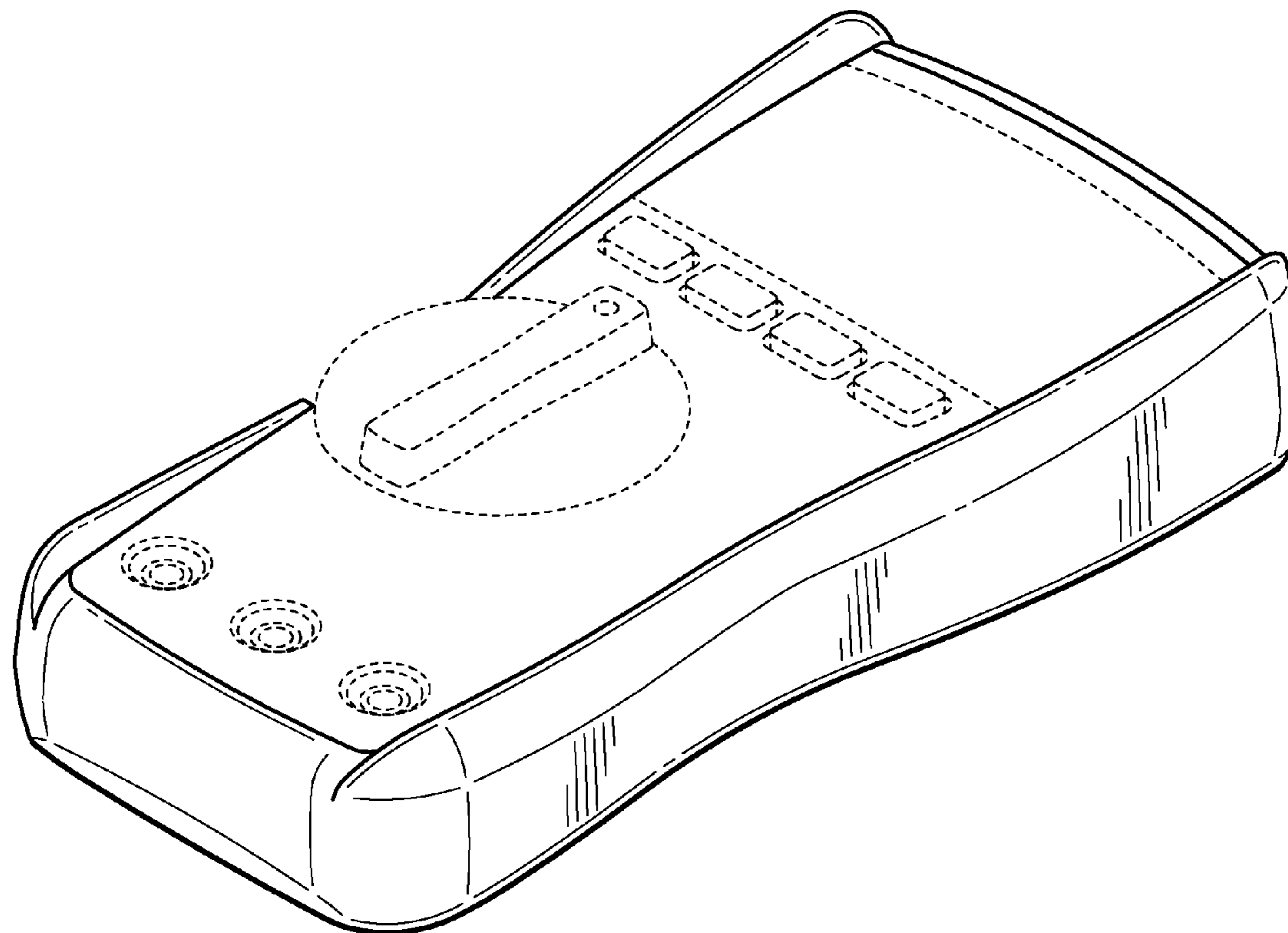
U.S. PATENT DOCUMENTS

D397,246 S *	8/1998	Hoofnagle et al.	D3/201
D462,514 S *	9/2002	Rivera et al.	D3/228
D480,558 S *	10/2003	Ikeda et al.	D3/228

The broken line showing of environment in the drawings is included for the purpose of illustrating only and forms no part of the claimed design.

* cited by examiner

1 Claim, 4 Drawing Sheets



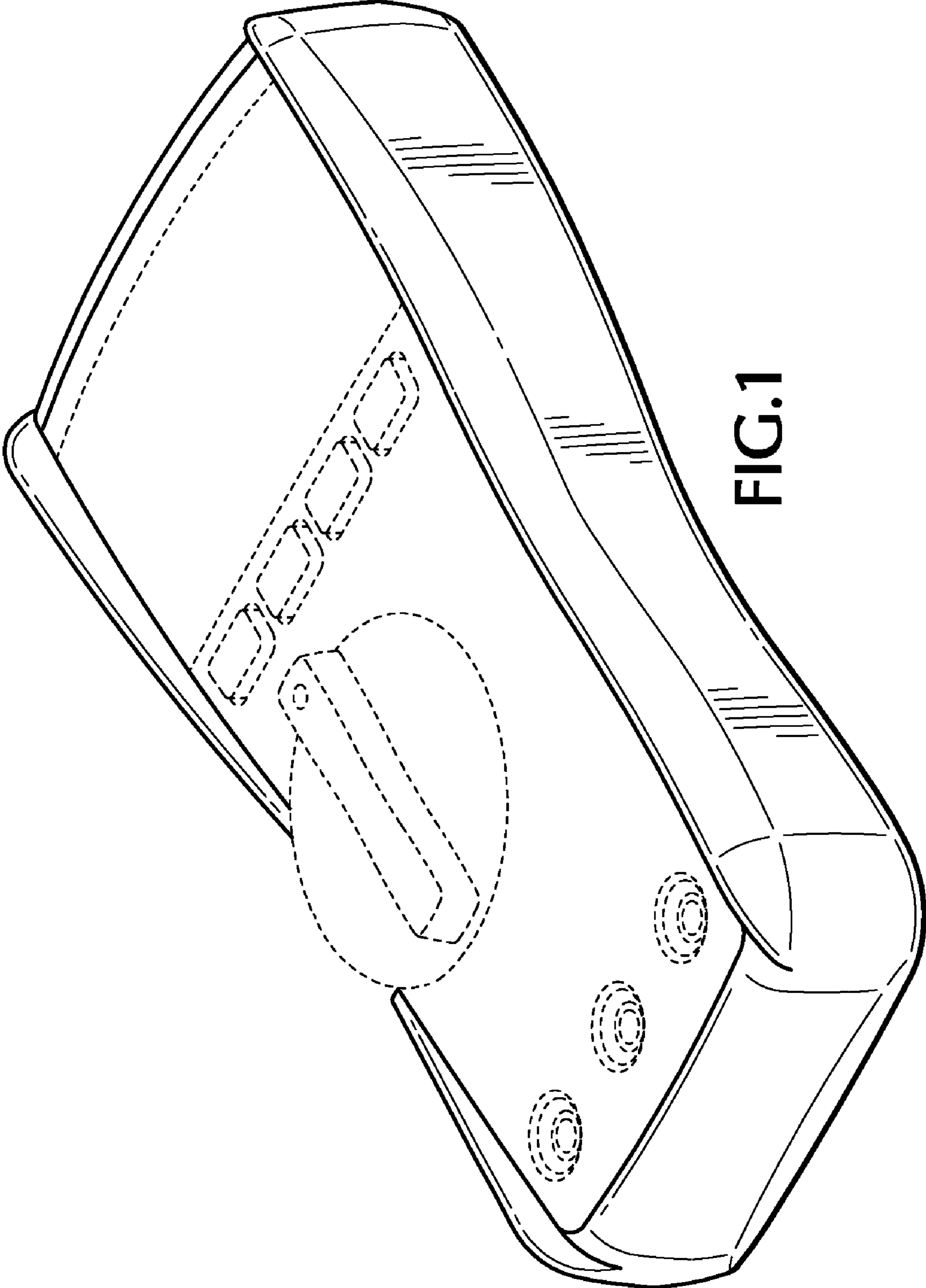


FIG.1

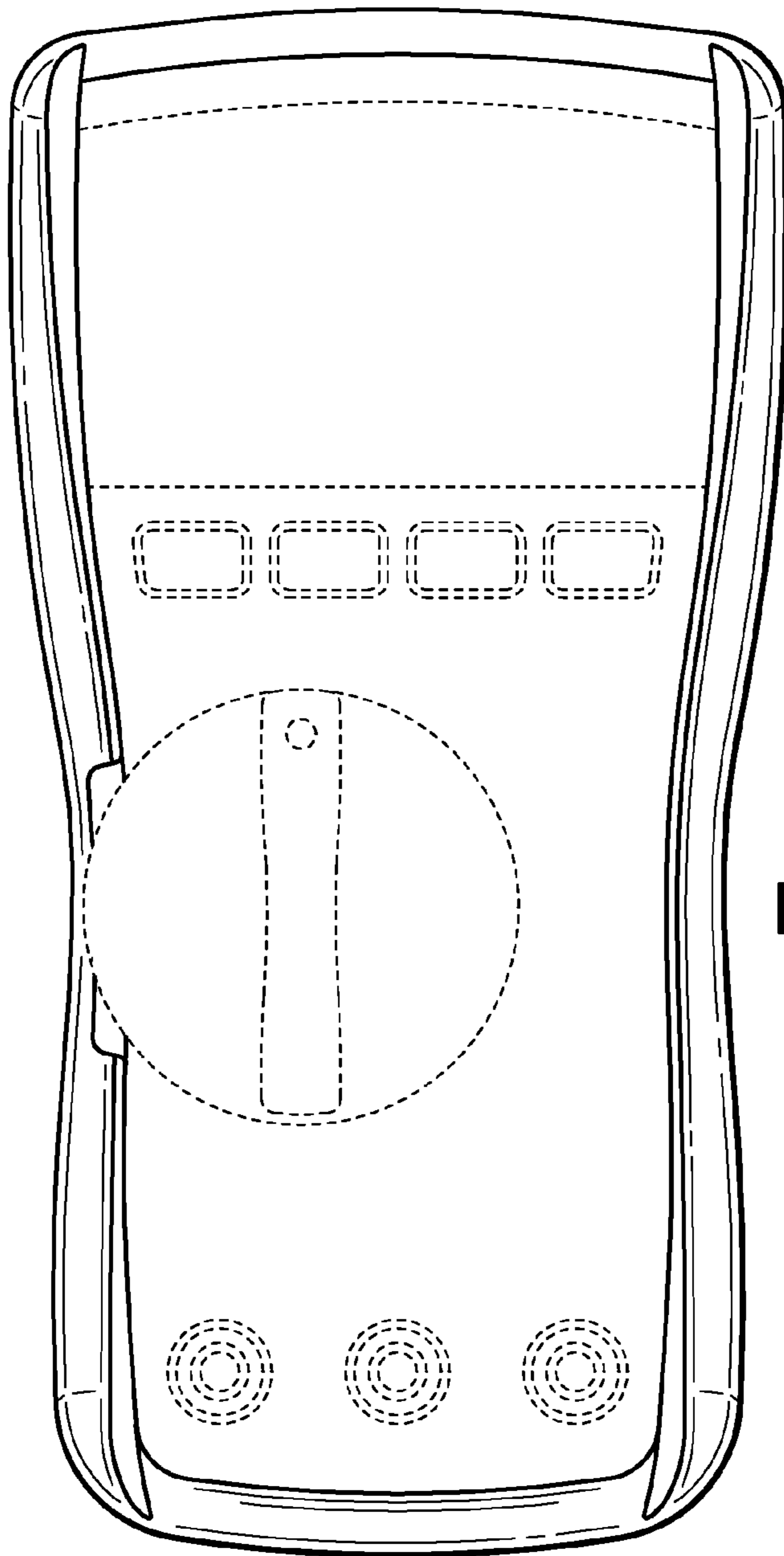


FIG. 2

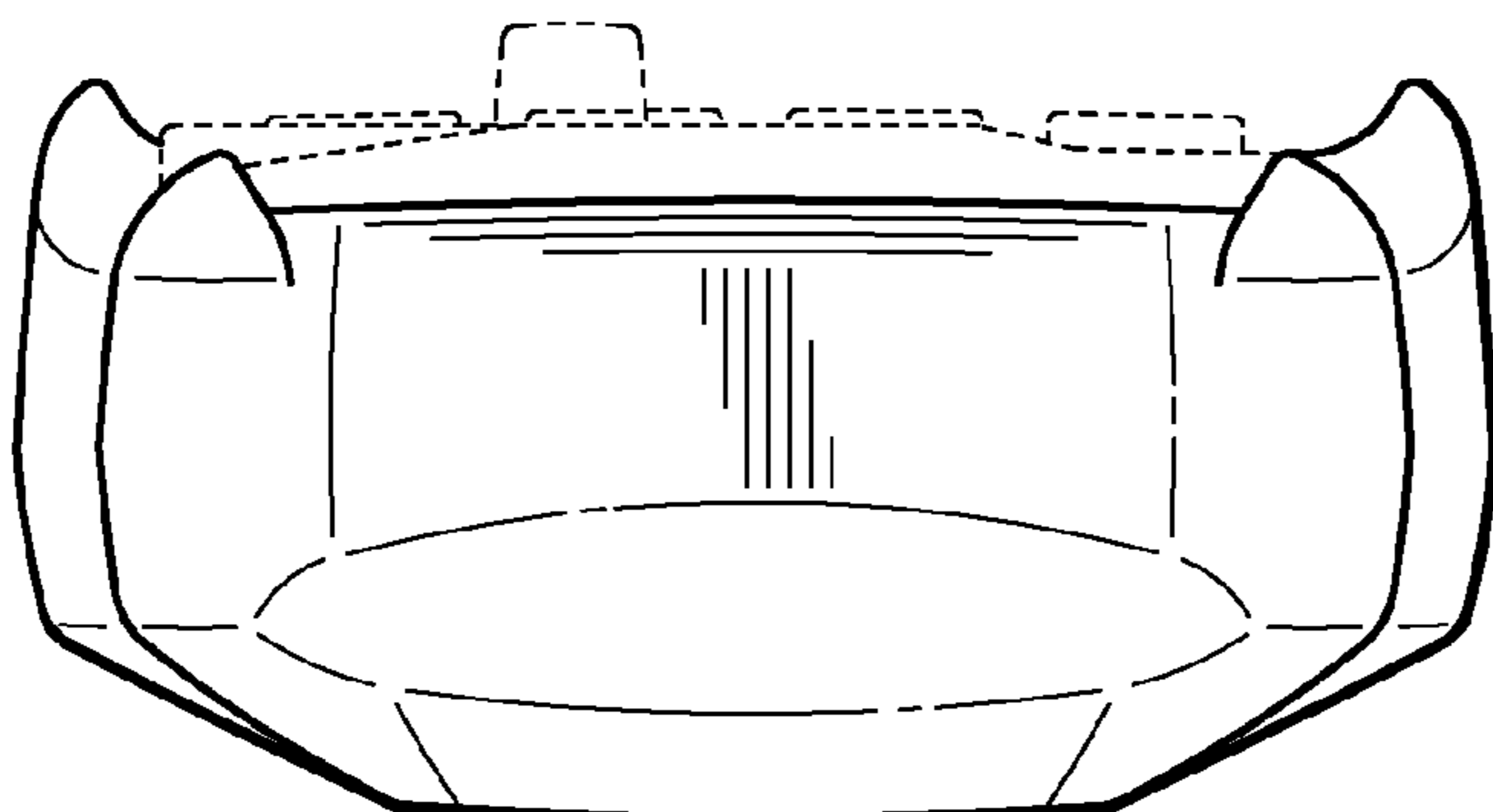


FIG. 3

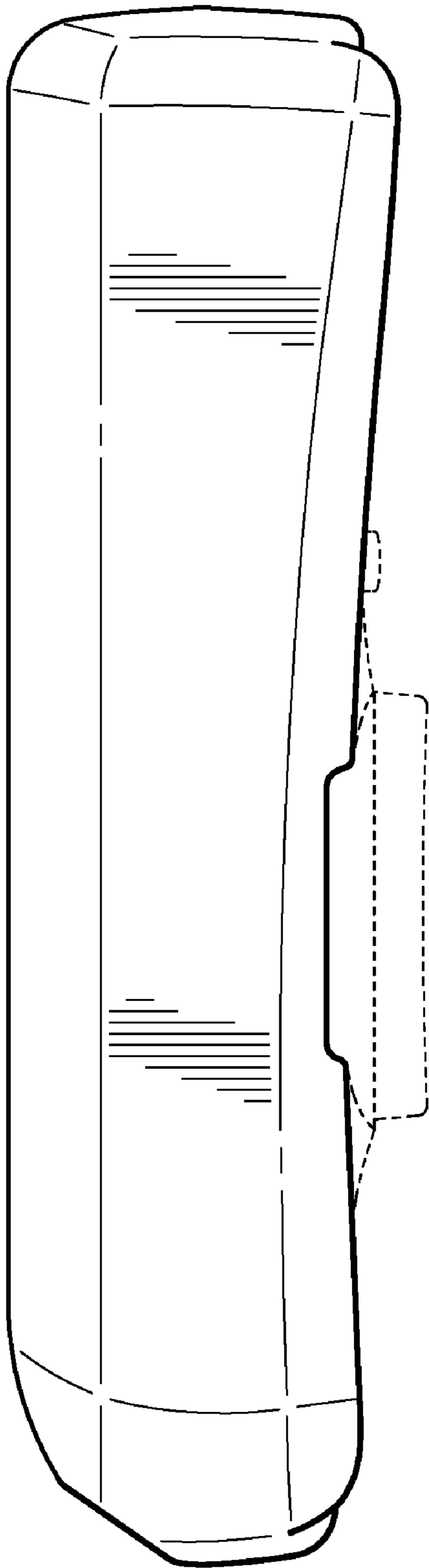


FIG. 4

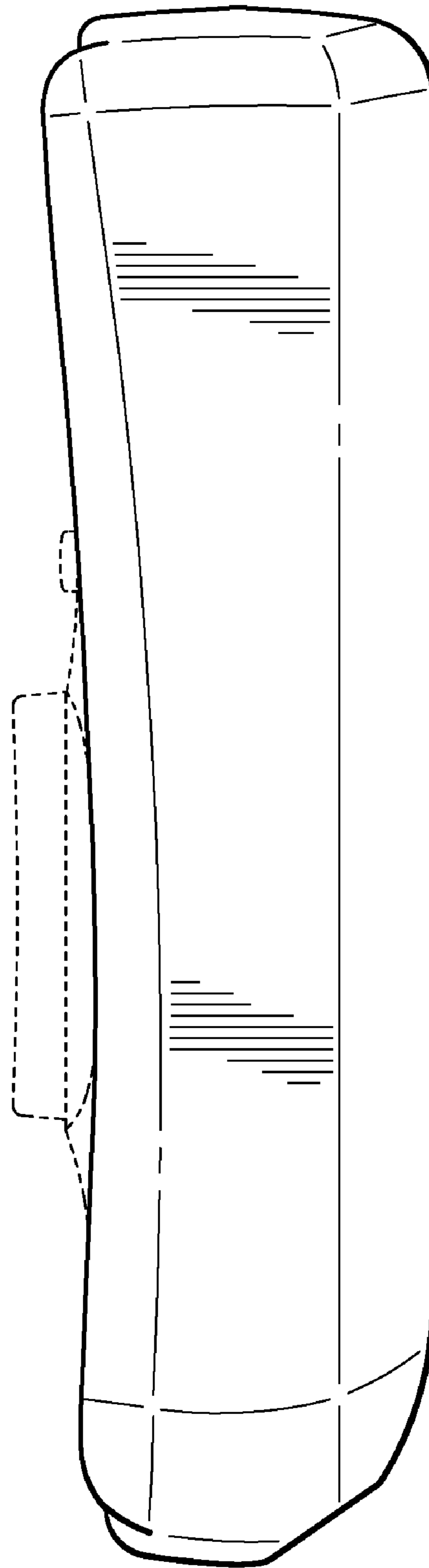


FIG. 5

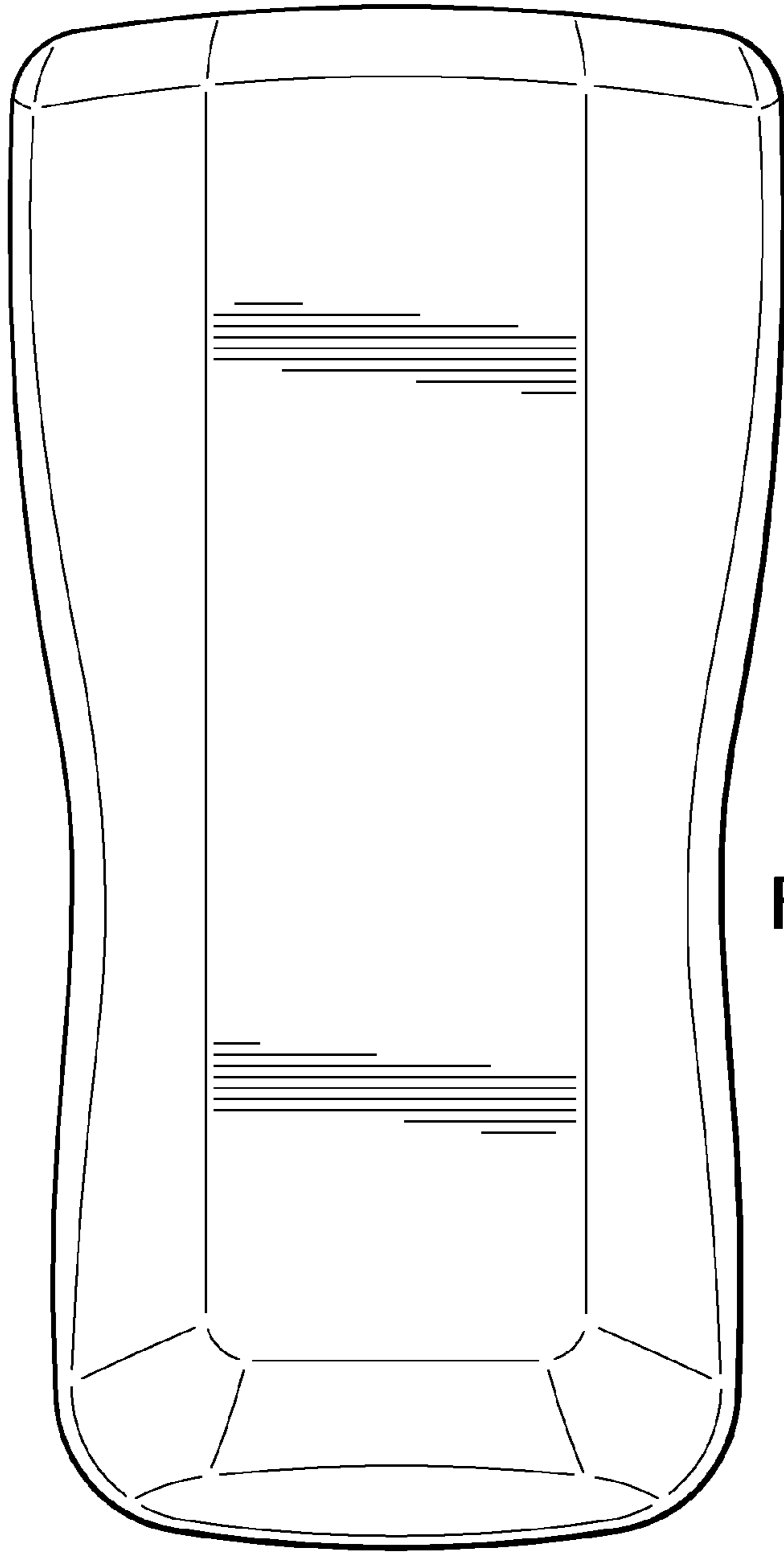


FIG. 6

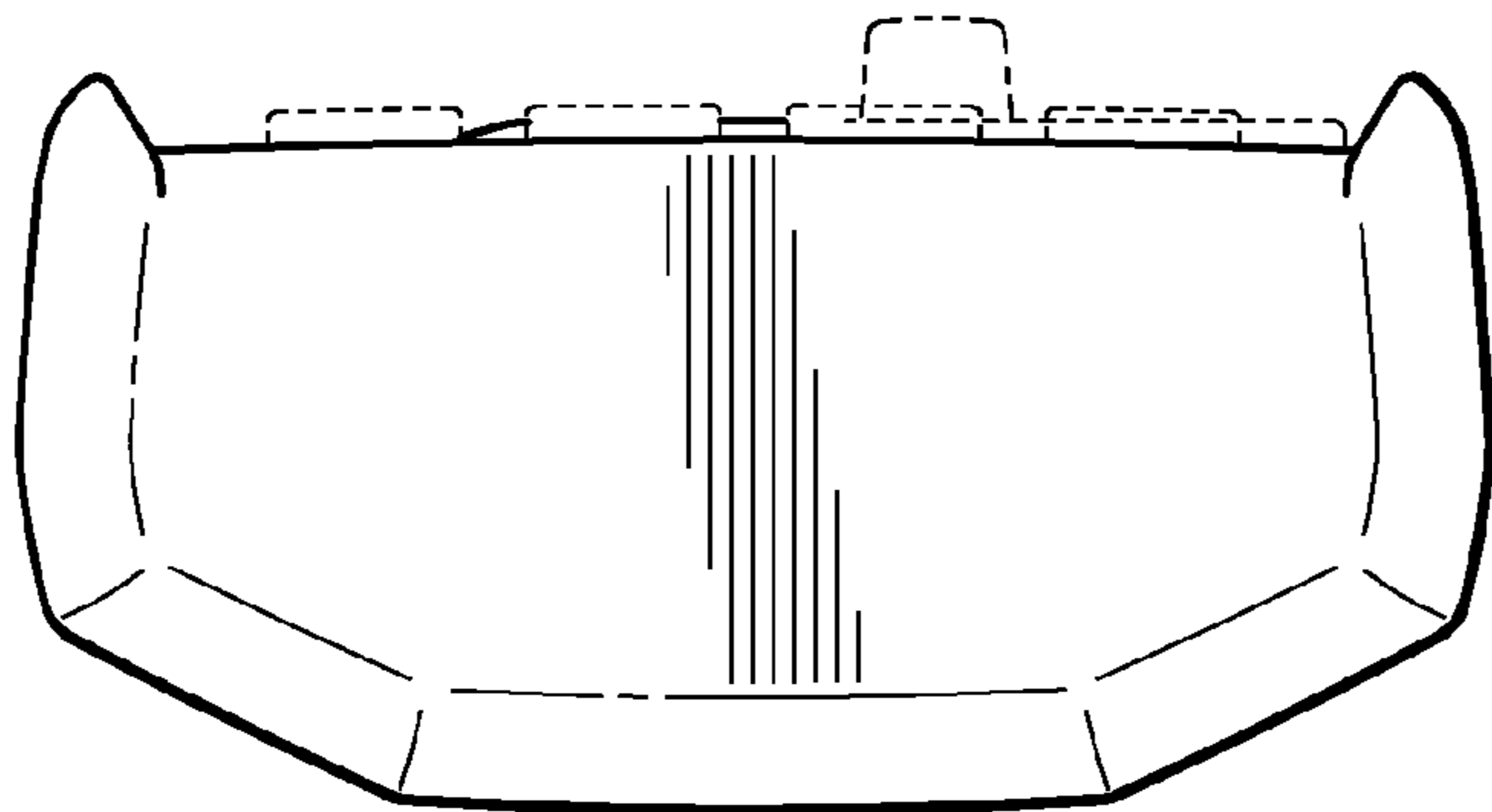


FIG. 7