



US00D552843S

(12) **United States Design Patent**
Katz

(10) **Patent No.:** **US D552,843 S**

(45) **Date of Patent:** **** Oct. 16, 2007**

(54) **RIBBON-SHAPED PILL BOX**

(75) Inventor: **Gerald I. Katz**, Fort Lauderdale, FL (US)

(73) Assignee: **Atico International USA, Inc.**, Fort Lauderdale, FL (US)

(**) Term: **14 Years**

(21) Appl. No.: **29/272,723**

(22) Filed: **Feb. 14, 2007**

(51) **LOC (8) Cl.** **03-01**

(52) **U.S. Cl.** **D3/203.3**

(58) **Field of Classification Search** D3/203.3,
D3/203.2, 203.4, 201, 205; D9/730-732;
206/531-538; D11/66

See application file for complete search history.

(56) **References Cited**

U.S. PATENT DOCUMENTS

- D337,725 S * 7/1993 Bunin D3/203.3
- D466,801 S * 12/2002 Holland D3/203.3
- D525,897 S * 8/2006 Raiman D11/66

D544,202 S * 6/2007 Markfelder D3/203.3
2002/0139708 A1* 10/2002 Lien 206/534

* cited by examiner

Primary Examiner—Catherine R. Oliver

(74) *Attorney, Agent, or Firm*—Christopher & Weisberg, P.A.

(57) **CLAIM**

The ornamental design for a ribbon-shaped pill box, as shown.

DESCRIPTION

FIG. 1 is side perspective view of the ribbon-shaped pill box;

FIG. 2 is a top view thereof;

FIG. 3 is a bottom view thereof;

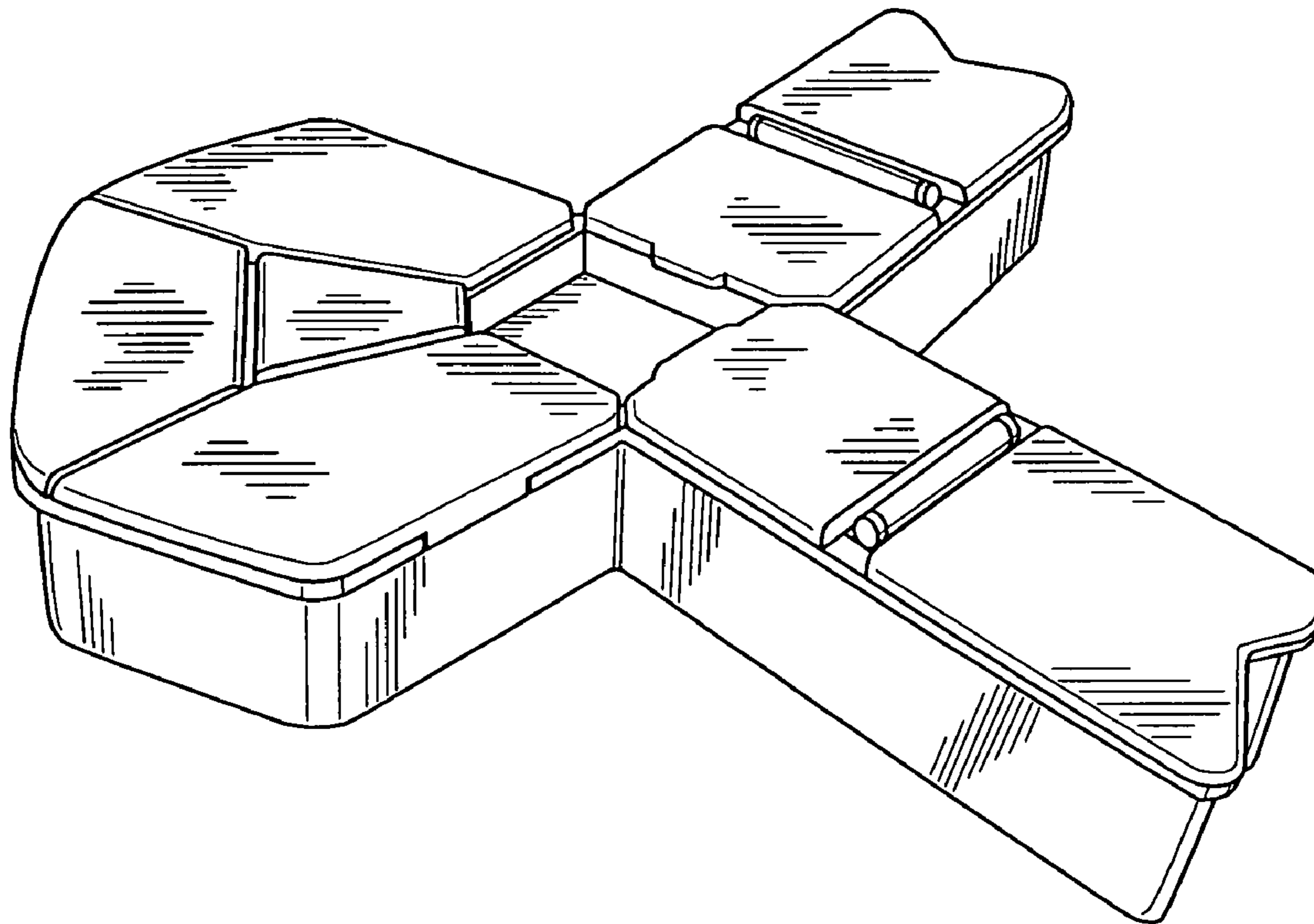
FIG. 4 is a left side view thereof;

FIG. 5 is a right side view thereof;

FIG. 6 is a front side view thereof; and,

FIG. 7 is a rear side view thereof.

1 Claim, 3 Drawing Sheets



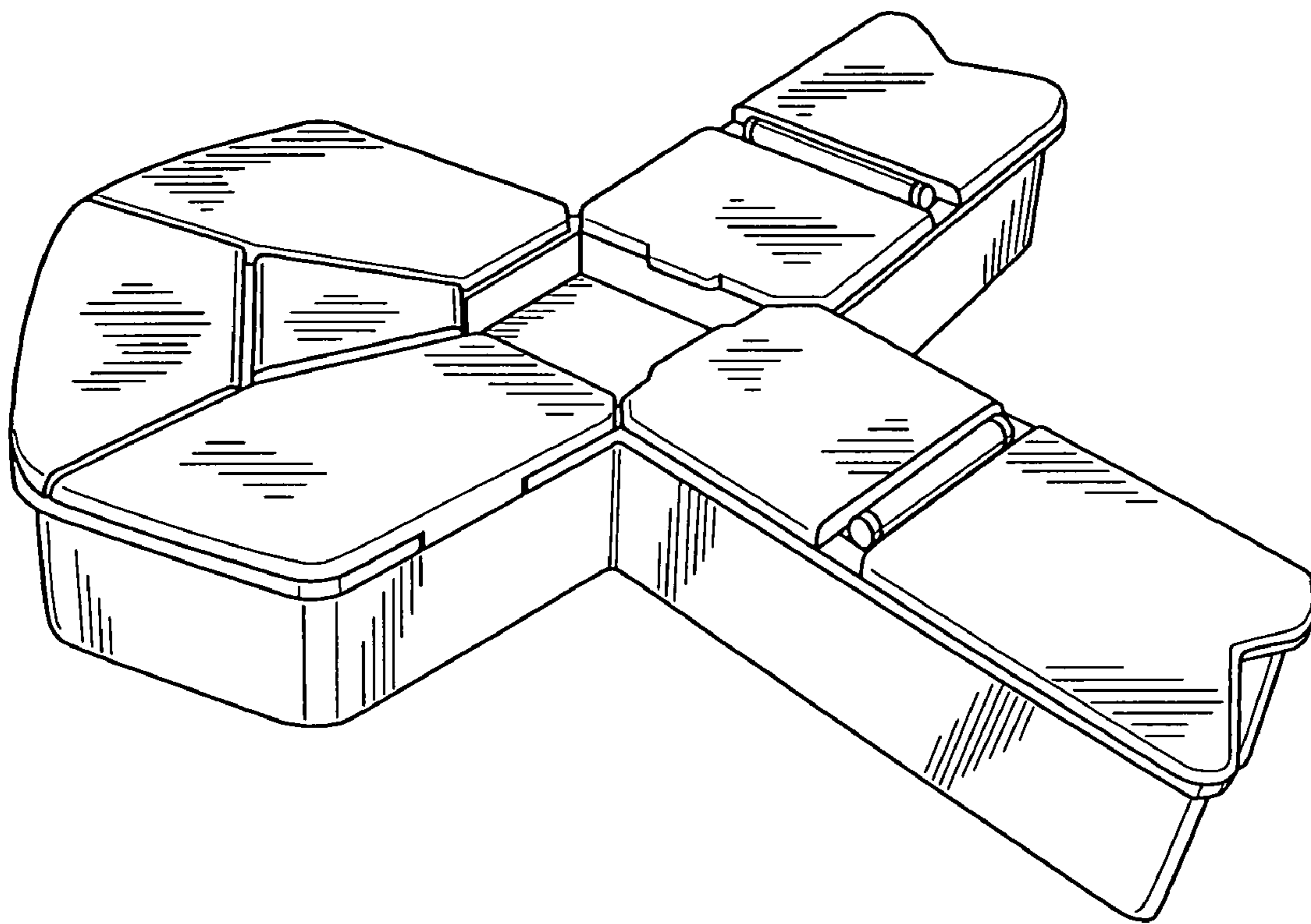


FIG. 1

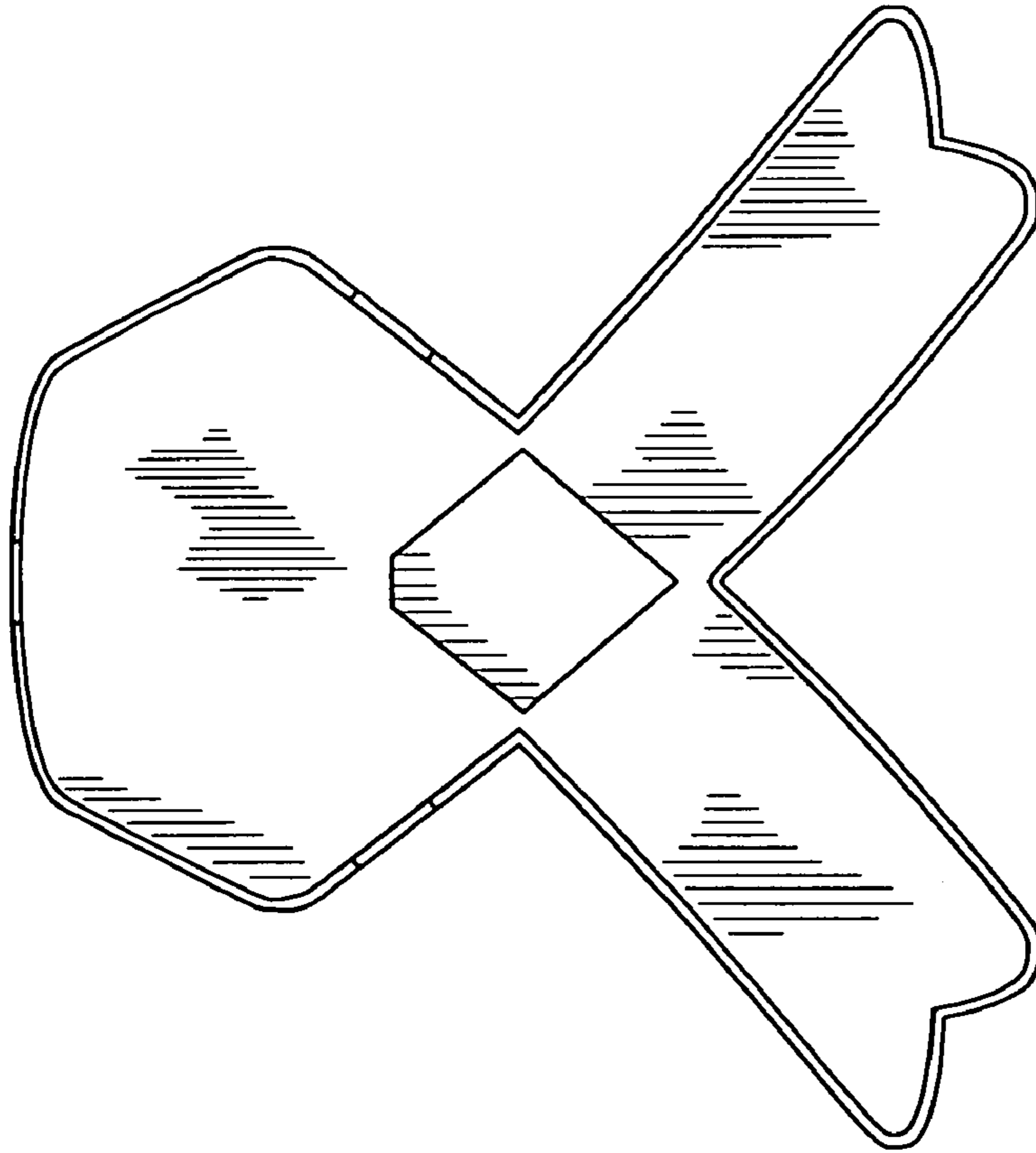


FIG. 2

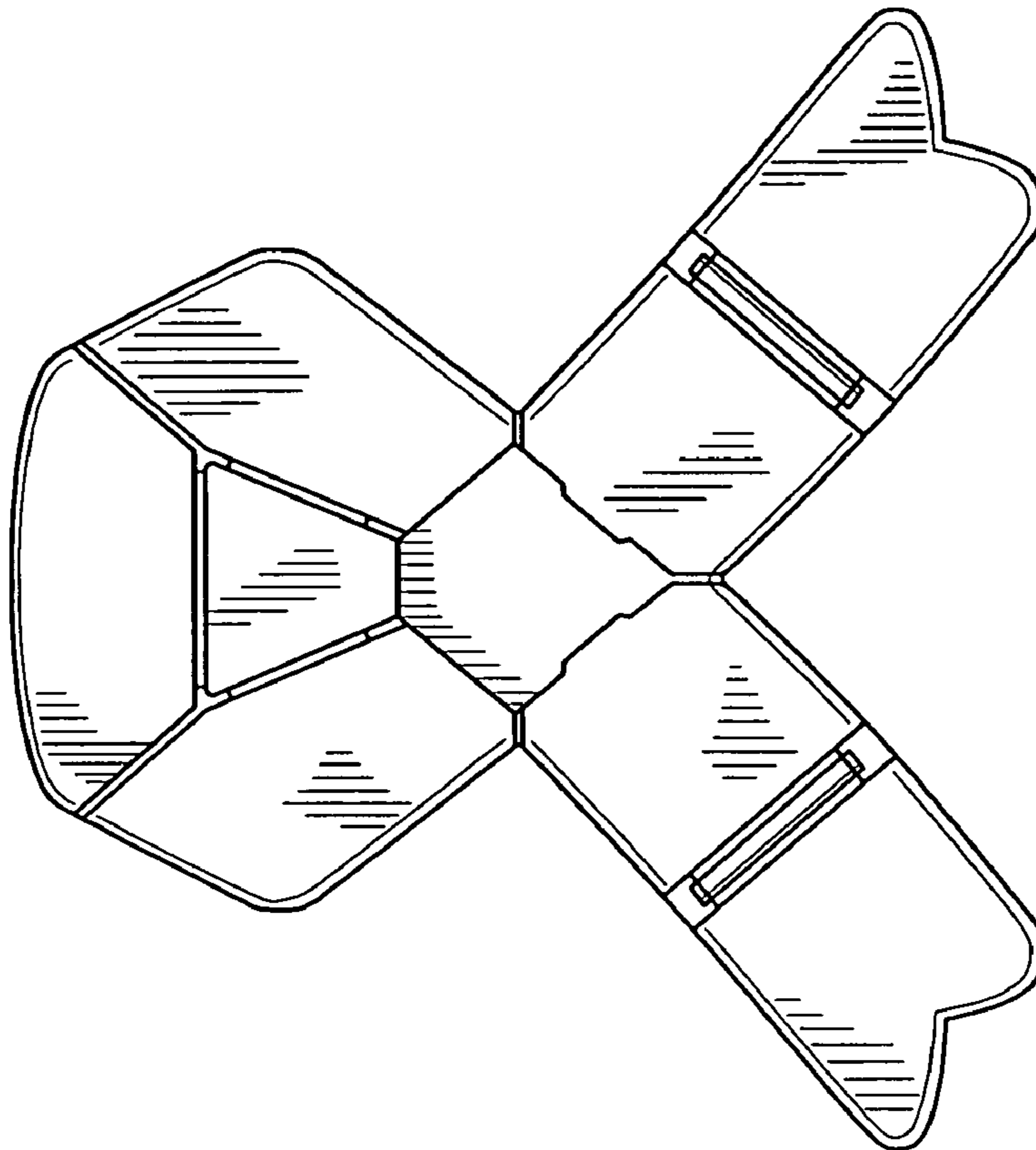


FIG. 3

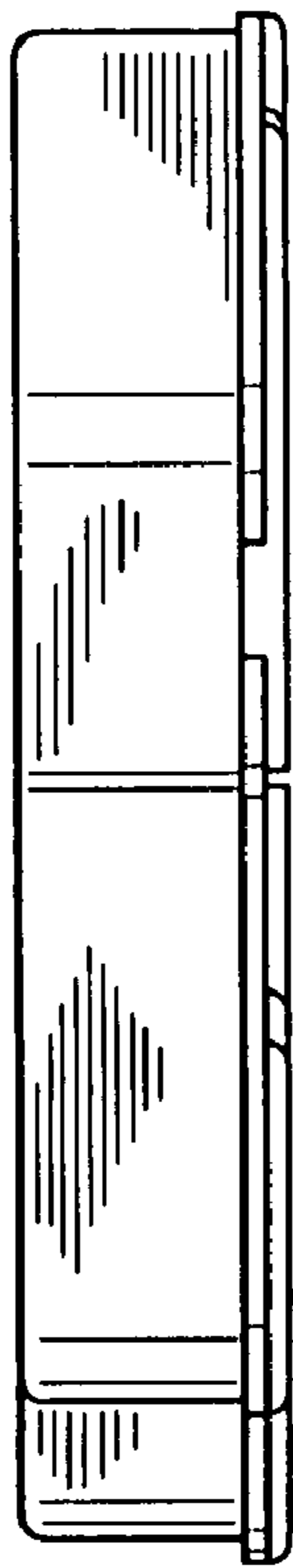


FIG. 4

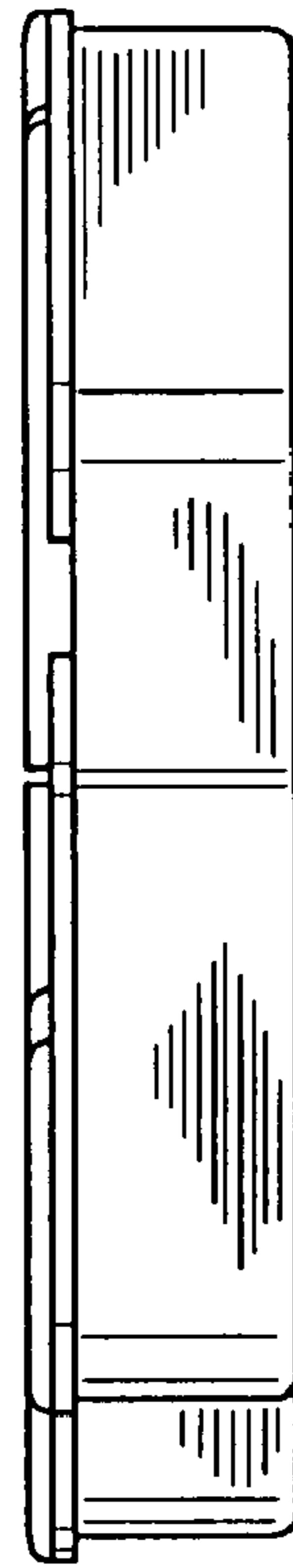


FIG. 5

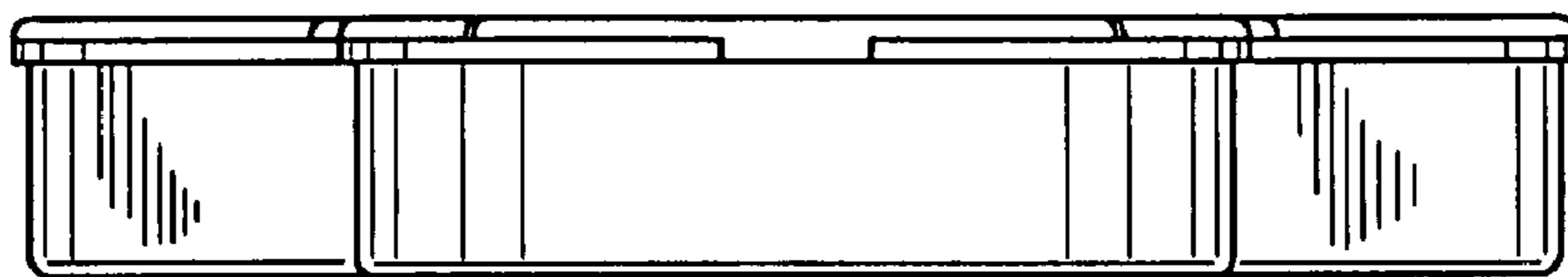


FIG. 6

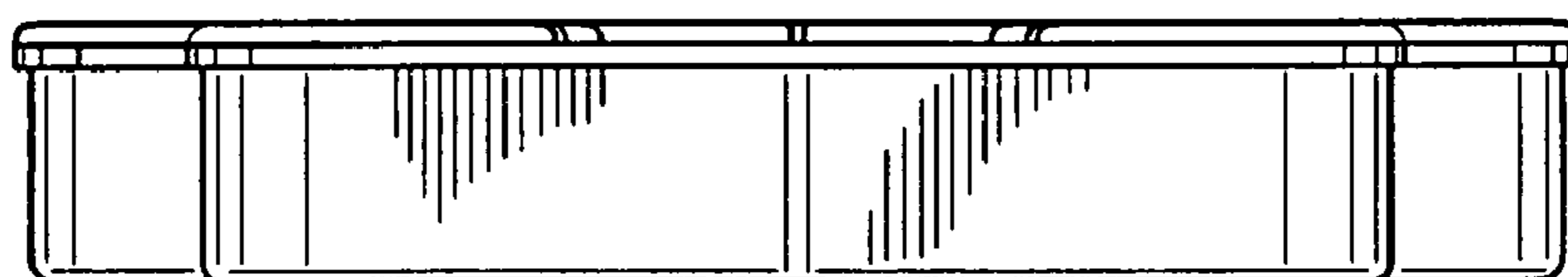


FIG. 7