



US00D552825S

(12) **United States Design Patent**
Yang et al.

(10) **Patent No.:** **US D552,825 S**

(45) **Date of Patent:** **** Oct. 9, 2007**

(54) **BASE FOR ARTICLE**

(75) Inventors: **Frank Yang**, Rancho Palos Verdes, CA (US); **Tzu-Hao Wei**, Hacienda Heights, CA (US); **Myk Wayne Lum**, Irvine, CA (US); **Yoon J. Kim**, Long Beach, CA (US)

(73) Assignee: **simplehuman, LLC**, Torrance, CA (US)

(**) Term: **14 Years**

(21) Appl. No.: **29/263,258**

(22) Filed: **Jul. 19, 2006**

(51) **LOC (8) Cl.** **09-09**

(52) **U.S. Cl.** **D34/10**

(58) **Field of Classification Search** D34/1, D34/5, 6, 7, 8, 9, 10, 11; 220/908-913, 262-264
See application file for complete search history.

(56) **References Cited**

U.S. PATENT DOCUMENTS

- D490,583 S * 5/2004 Yang et al. D34/9
- D490,954 S * 6/2004 Brand D34/9
- D507,090 S * 7/2005 Yang et al. D34/9
- D518,266 S * 3/2006 Yang et al. D34/9
- D525,756 S * 7/2006 Yang et al. D34/9

- D535,800 S * 1/2007 Yang et al. D34/9
- D537,223 S * 2/2007 Lin D34/7
- D538,995 S * 3/2007 Lin D34/7
- D539,499 S * 3/2007 Yang et al. D34/9

* cited by examiner

Primary Examiner—Cynthia E. Ramirez

(74) *Attorney, Agent, or Firm*—Knobbe Martens Olson & Bear LLP

(57) **CLAIM**

The ornamental design for a base for article, as shown and described.

DESCRIPTION

FIG. 1 is a front, top, and left side perspective view of a base for article embodying my new design;

FIG. 2 is a top plan view thereof;

FIG. 3 is a bottom plan view thereof;

FIG. 4 is a front elevational view thereof;

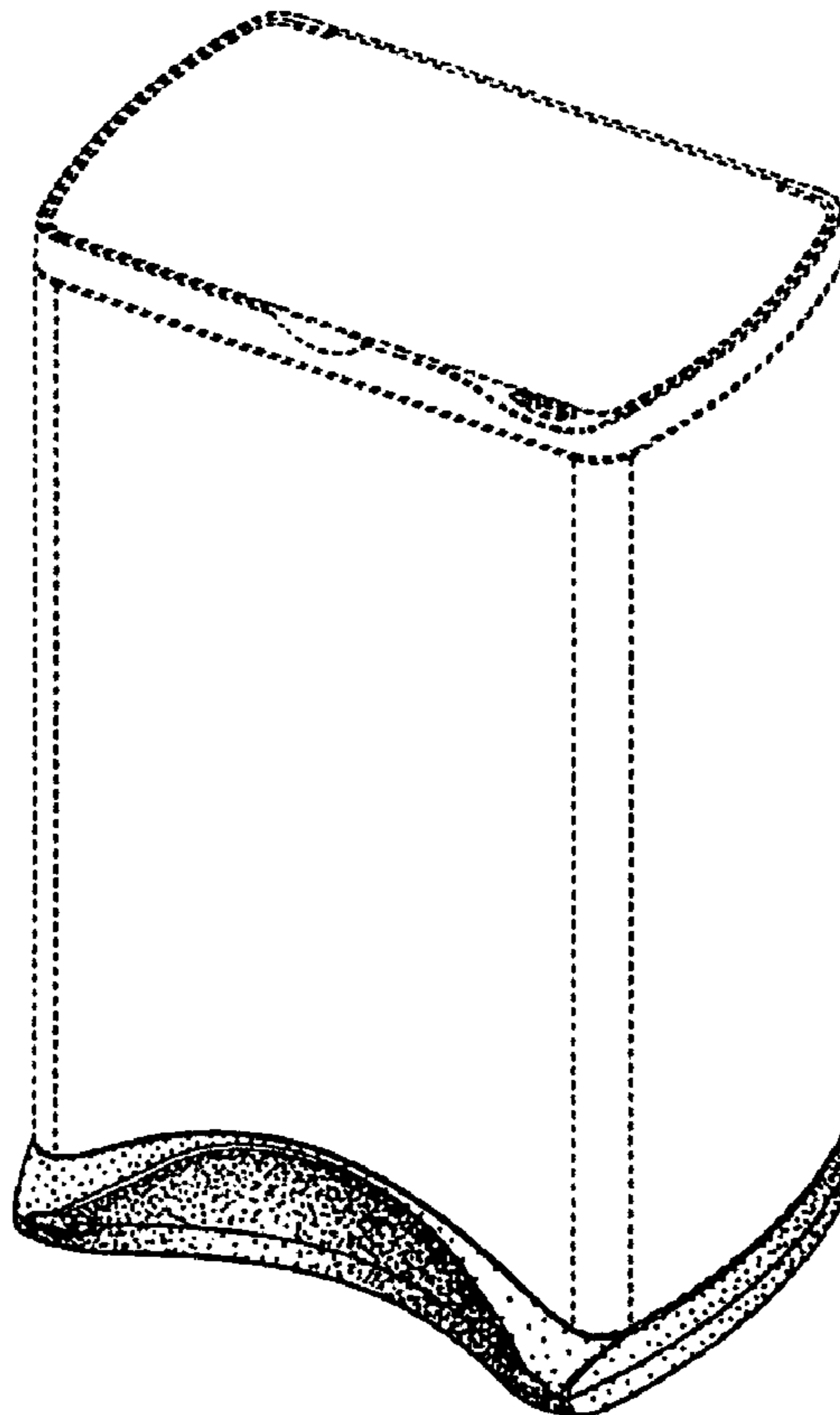
FIG. 5 is a rear elevational view thereof;

FIG. 6 is a left side elevational view thereof; and,

FIG. 7 is a right side elevational view thereof.

All features illustrated in phantom line are expressly disclaimed and form no part of the claimed design.

1 Claim, 4 Drawing Sheets



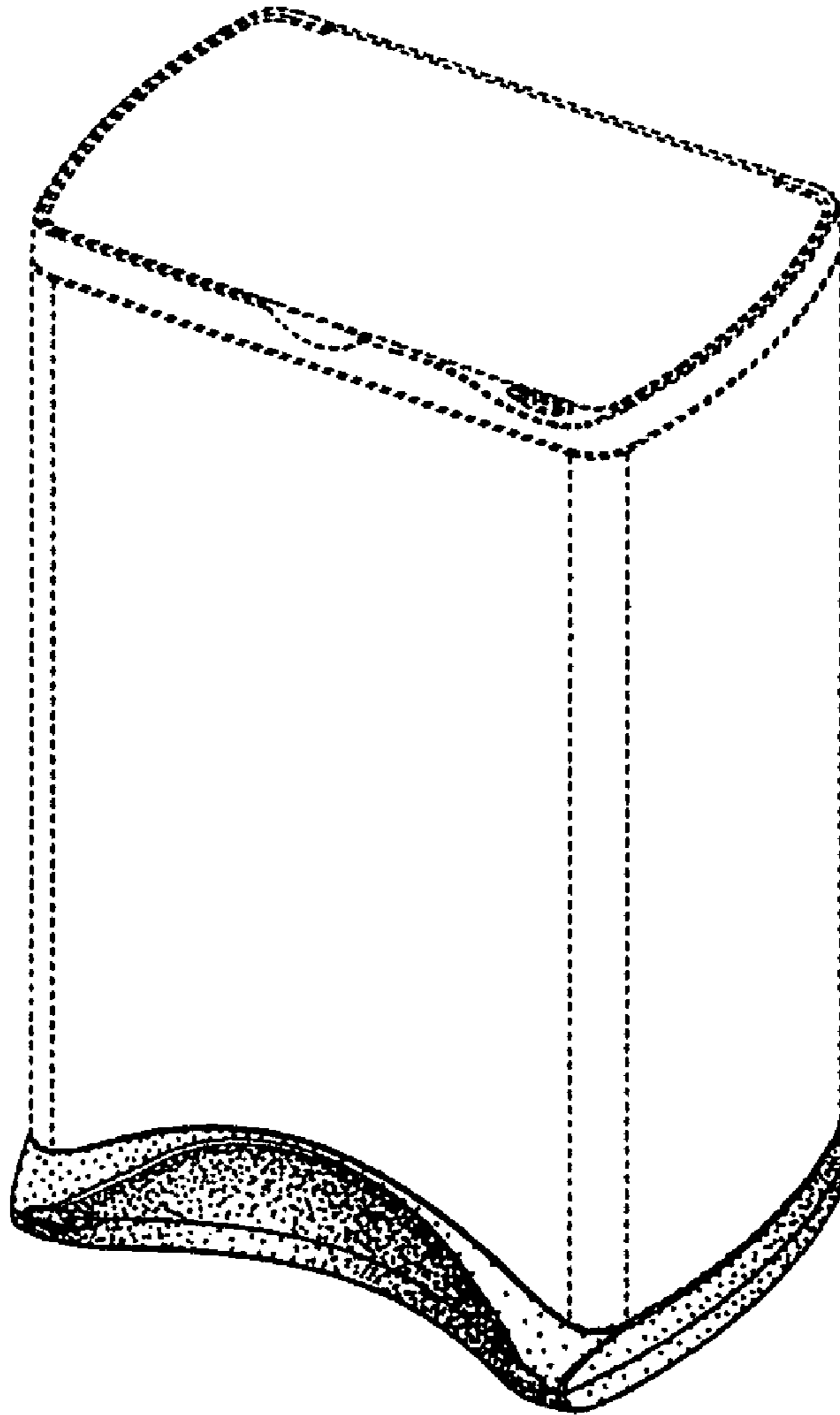


Figure 1

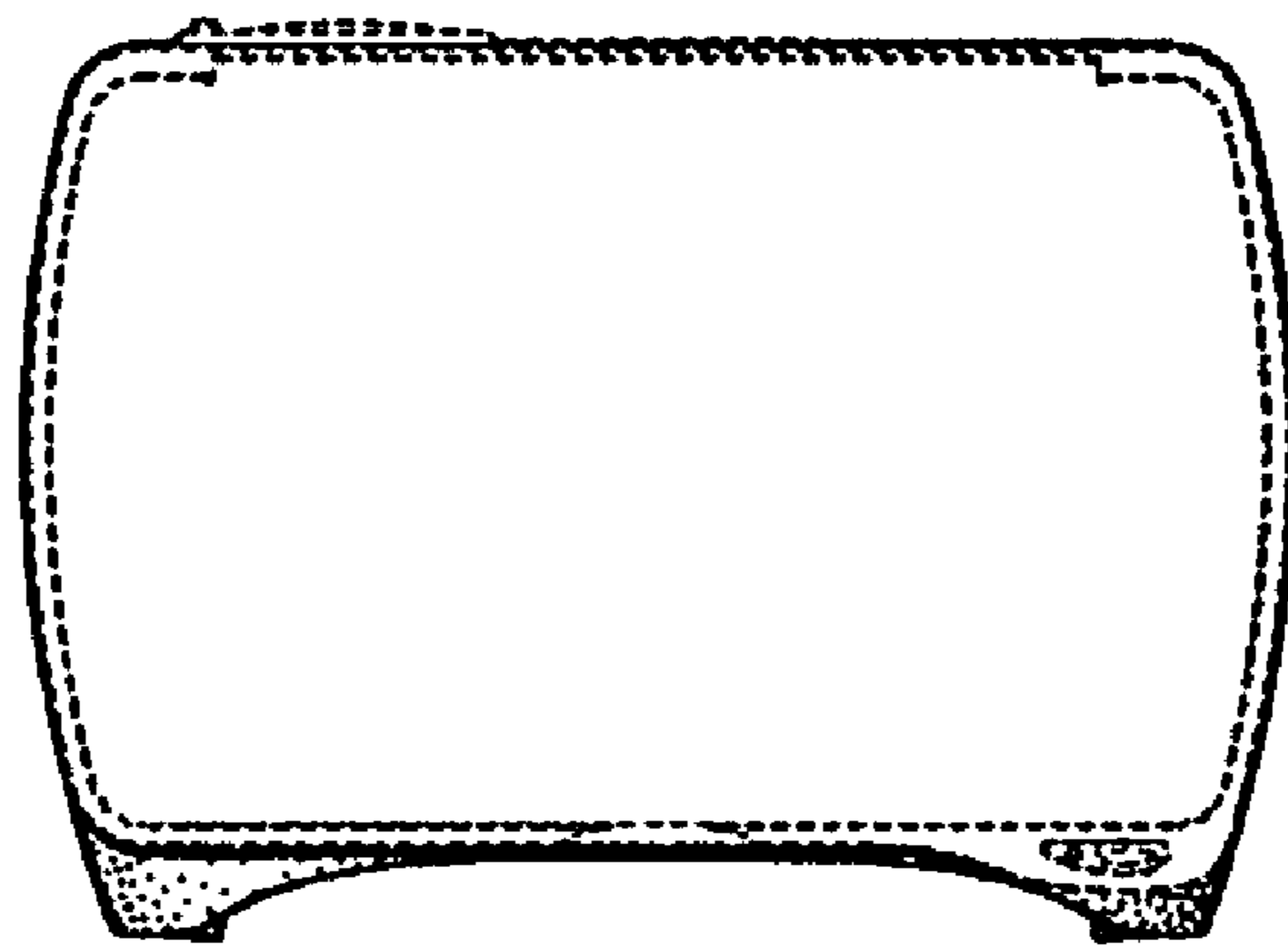


Figure 2

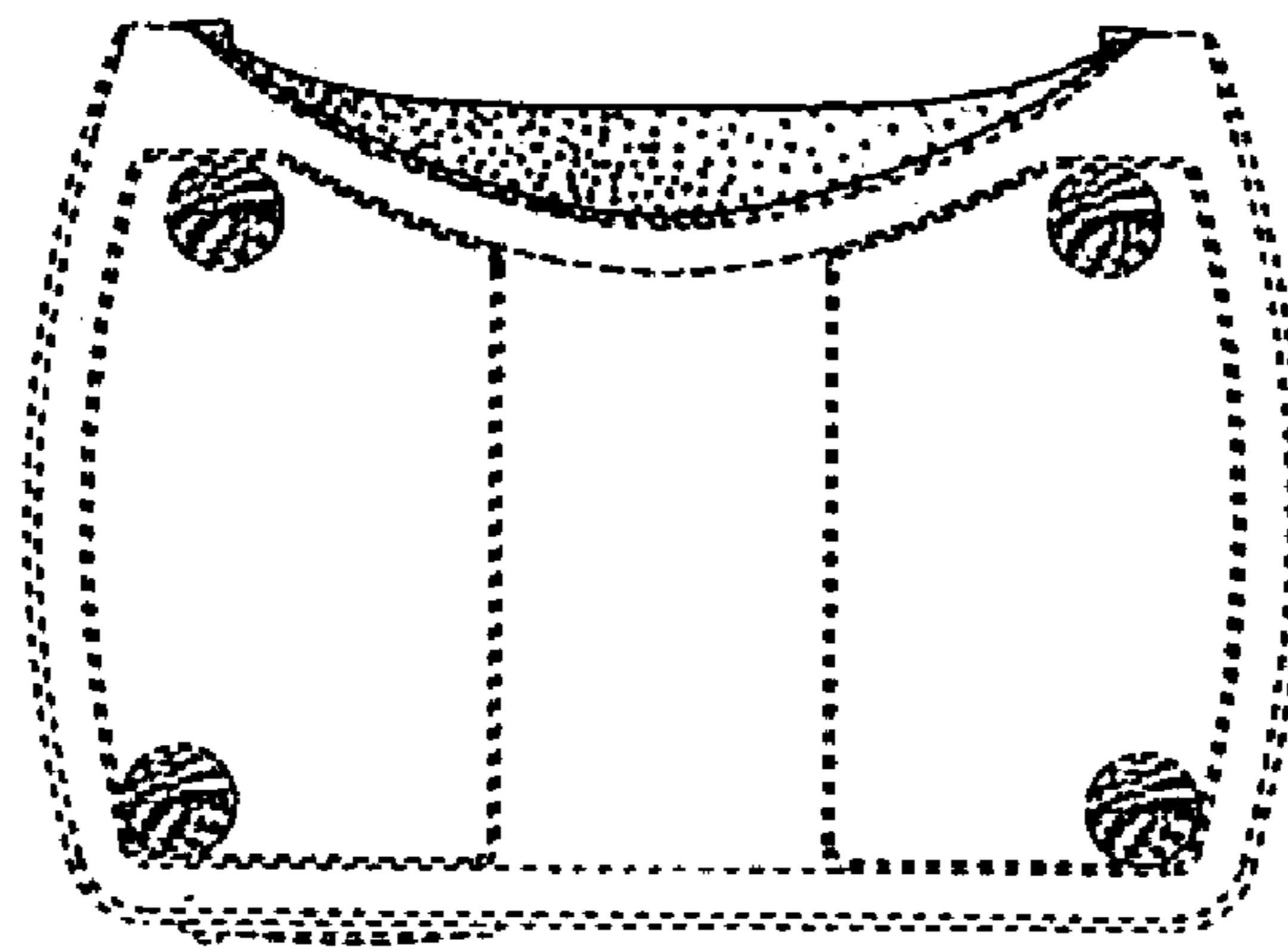


Figure 3

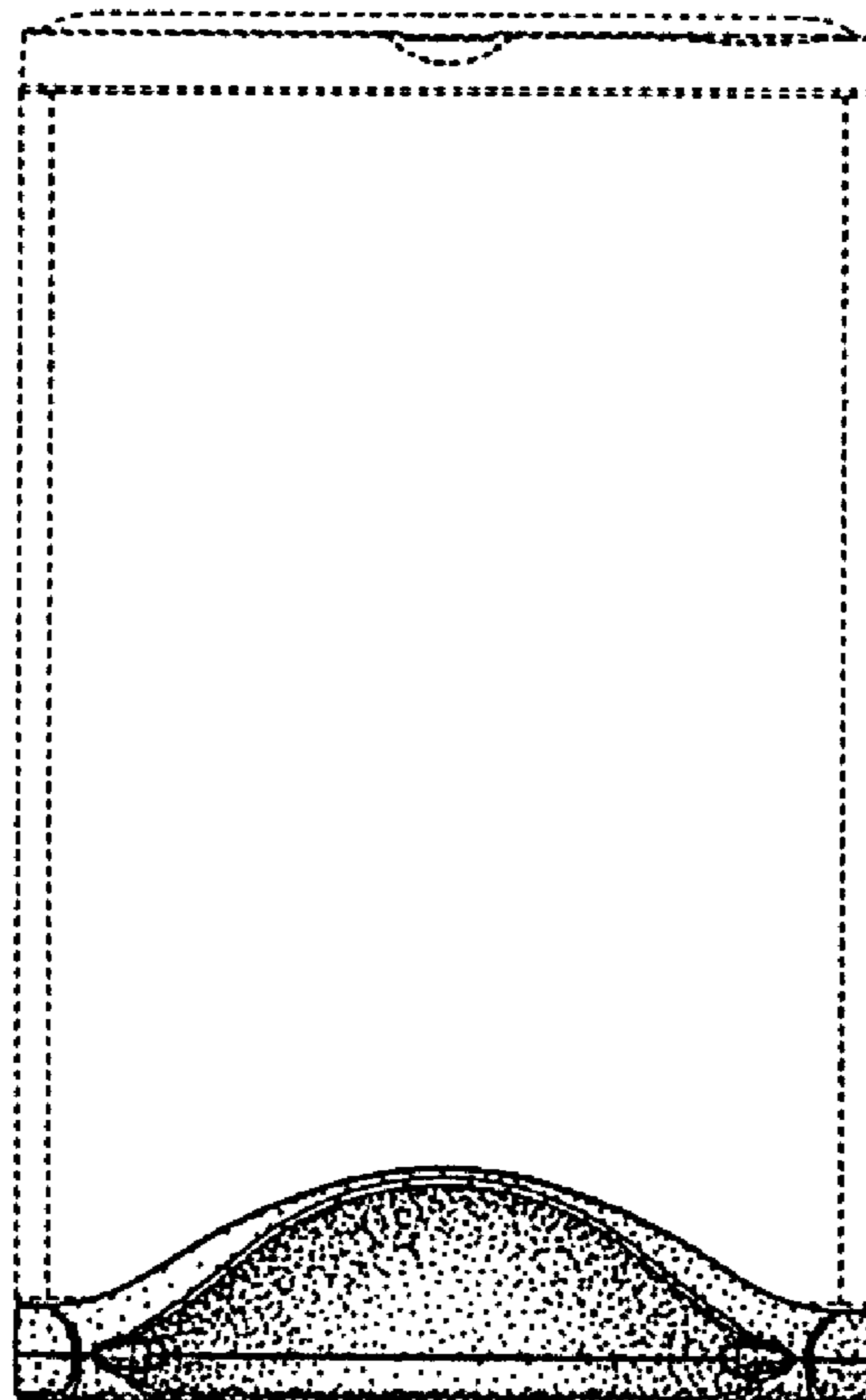


Figure 4

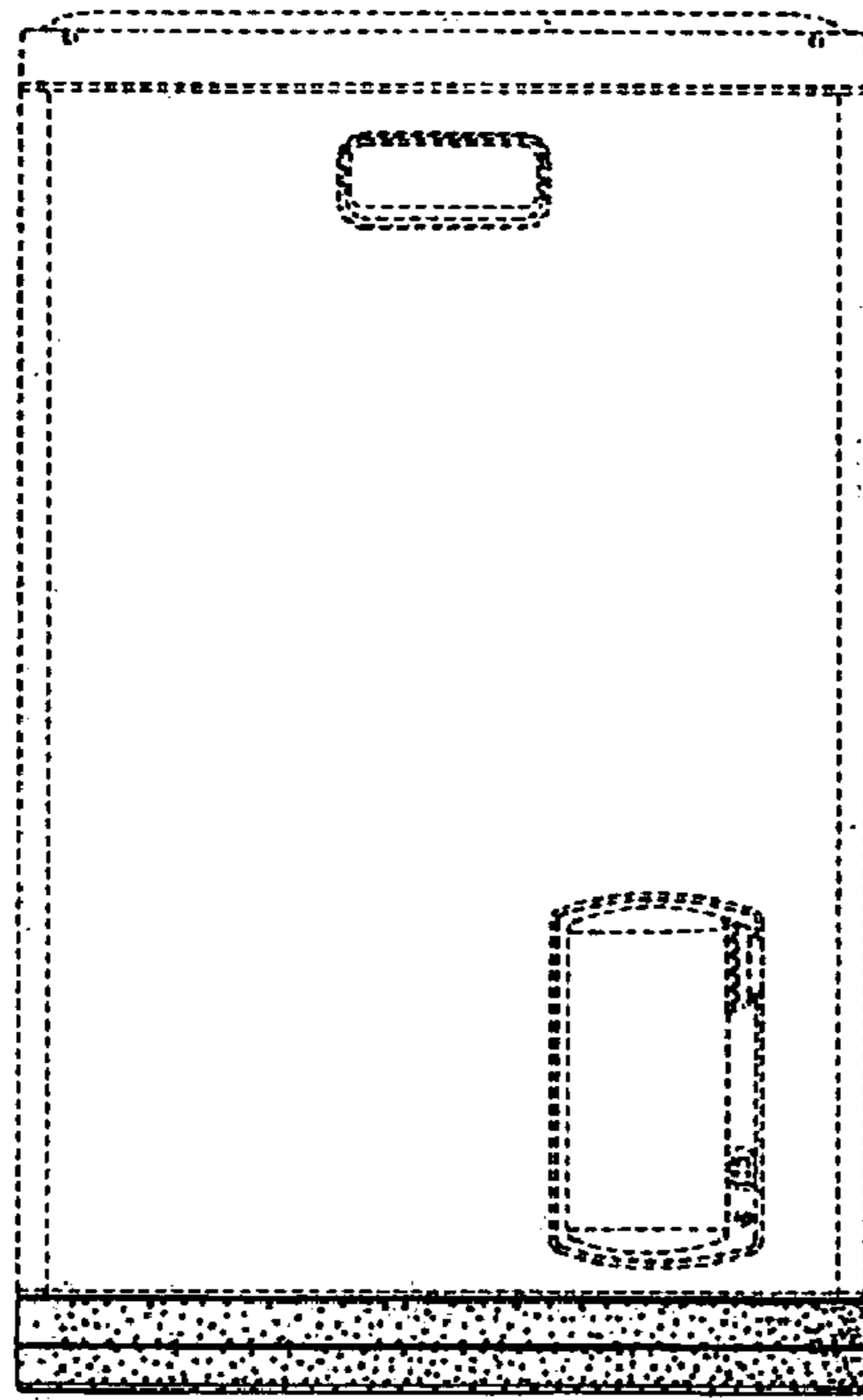


Figure 5

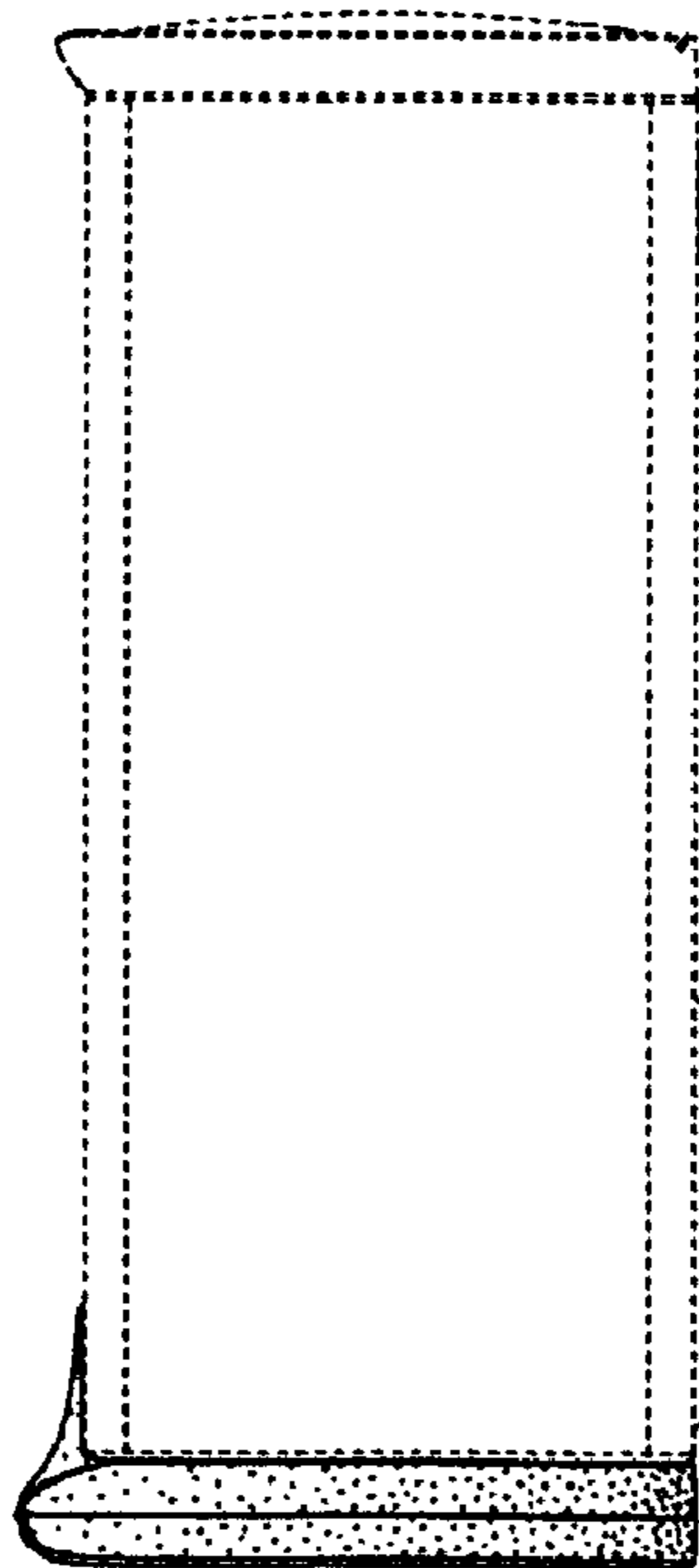


Figure 6

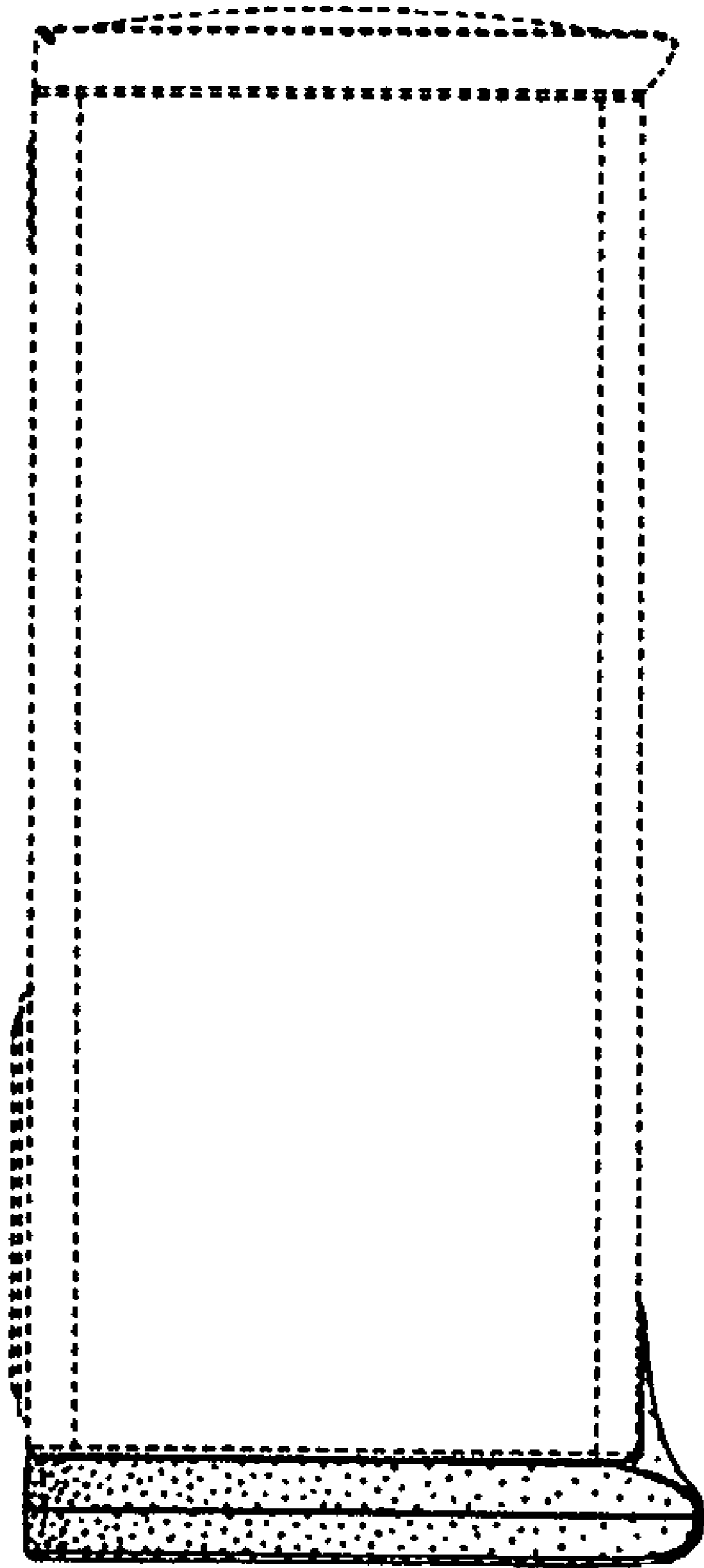


Figure 7