



US00D552821S

(12) **United States Design Patent**
Habib

(10) **Patent No.:** **US D552,821 S**

(45) **Date of Patent:** **** Oct. 9, 2007**

(54) **STORAGE SYSTEM**

(76) **Inventor:** **Joseph M. Habib**, 10 Brigham Rd.,
Paxton, MA (US) 01612

(**) **Term:** **14 Years**

(21) **Appl. No.:** **29/264,176**

(22) **Filed:** **Aug. 3, 2006**

(51) **LOC (8) Cl.** **09-09**

(52) **U.S. Cl.** **D34/5; D34/6**

(58) **Field of Classification Search** D34/1,
D34/5, 6; 220/908; 248/95, 97, 99, 129,
248/174; D6/556, 557, 558; 211/71.01

See application file for complete search history.

(56) **References Cited**

U.S. PATENT DOCUMENTS

2,503,531	A *	4/1950	Welter	211/85.19
2,802,673	A *	8/1957	Hazlett	280/47.24
3,079,119	A *	2/1963	Brooks	248/146
3,105,594	A *	10/1963	Ewers	211/72
3,190,454	A *	6/1965	Brooks	211/85.21
3,224,595	A *	12/1965	Sherley	211/83
3,227,284	A *	1/1966	Smith	211/85.19
3,288,305	A *	11/1966	Bryant et al.	211/85.19
3,788,583	A *	1/1974	Byrd	248/146

3,908,853	A *	9/1975	Keesling	220/475
D248,364	S *	7/1978	Allen	D34/6
5,139,299	A *	8/1992	Smith	294/159
6,805,366	B1 *	10/2004	Seara	280/47.26
7,014,199	B2 *	3/2006	Henzel	280/47.35
D520,702	S *	5/2006	Miller	D34/1

* cited by examiner

Primary Examiner—Cynthia E. Ramirez

(74) *Attorney, Agent, or Firm*—Blodgett & Blodgett, P.C.;
Gerry A. Blodgett

(57) **CLAIM**

The ornamental design for a storage system, as shown and described.

DESCRIPTION

FIG. 1 is a perspective view of the storage system showing my new design;

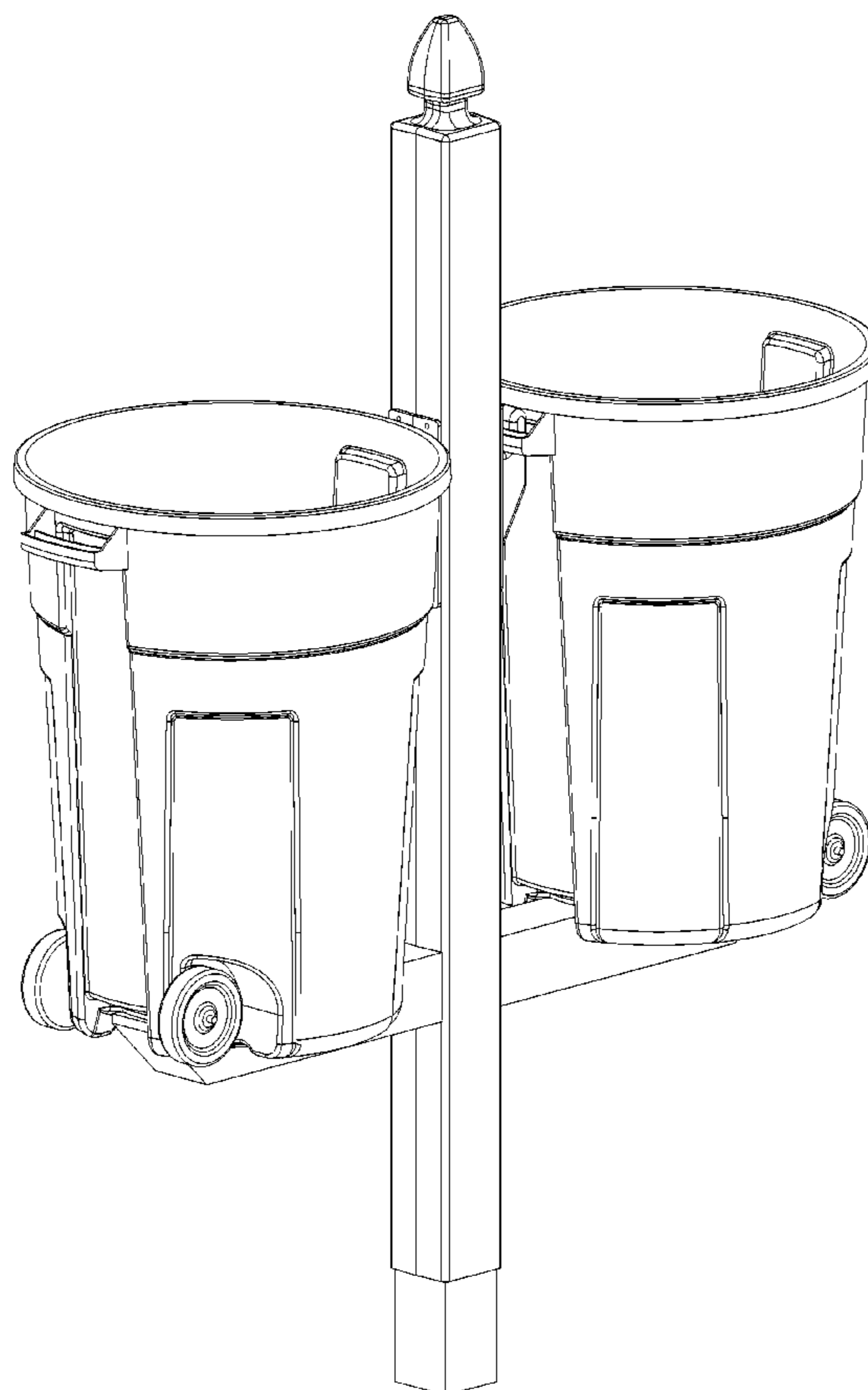
FIG. 2 is a front elevation view thereof, the rear elevation view being the mirror image thereof;

FIG. 3 is a left side elevation view thereof, the right side elevation view being the mirror image thereof;

FIG. 4 is a plan view thereof; and,

FIG. 5 is a bottom view thereof.

1 Claim, 5 Drawing Sheets



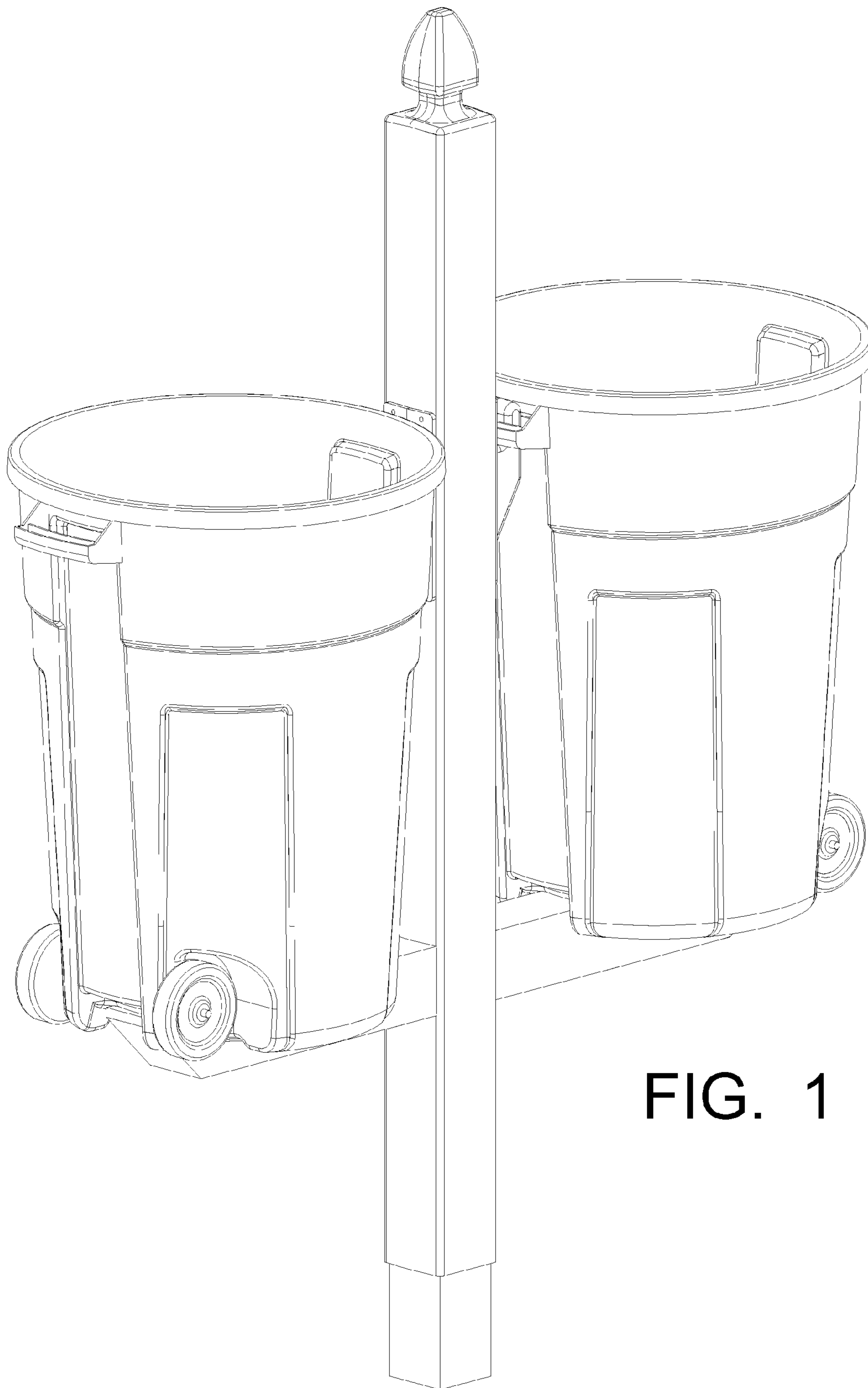


FIG. 1

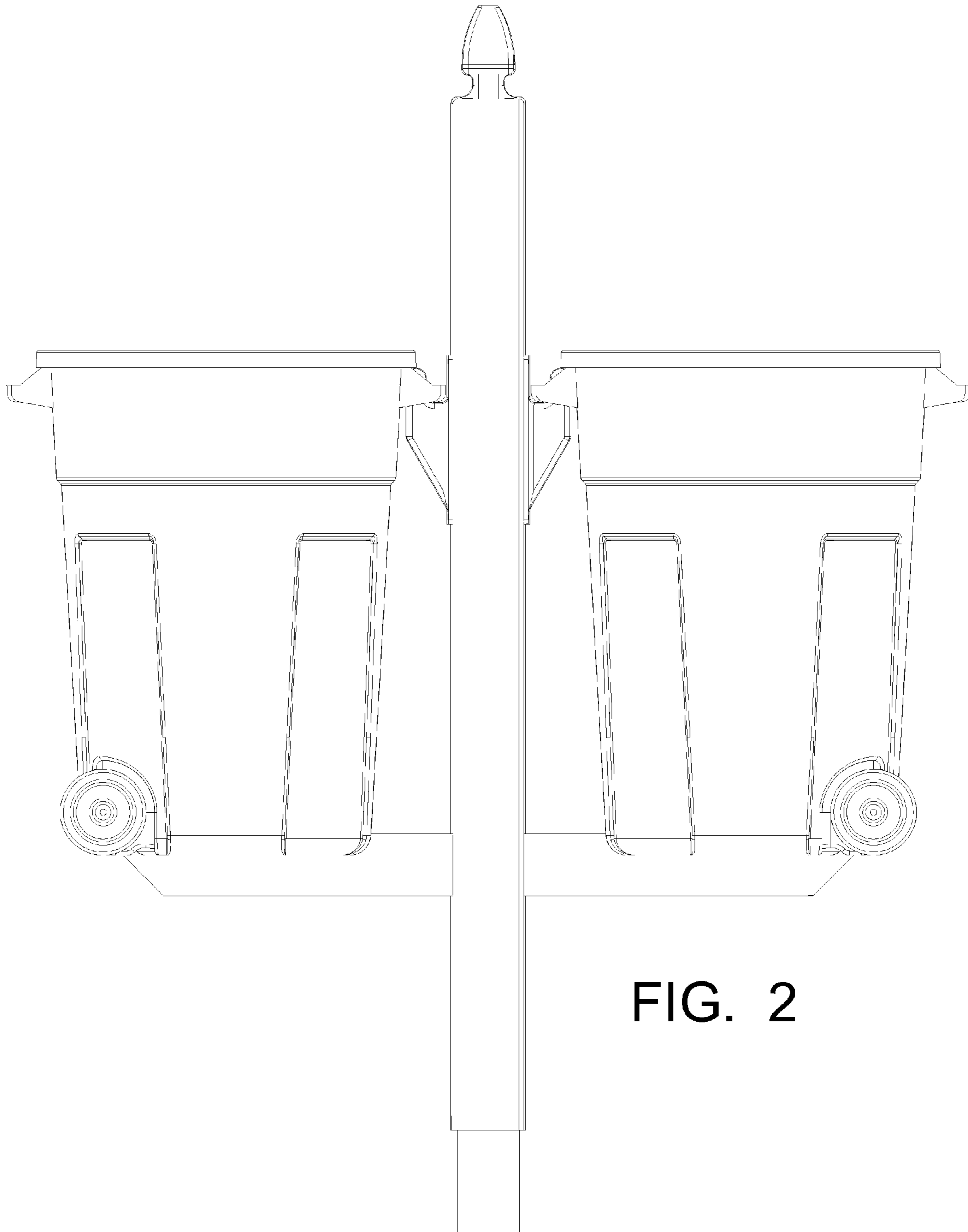


FIG. 2

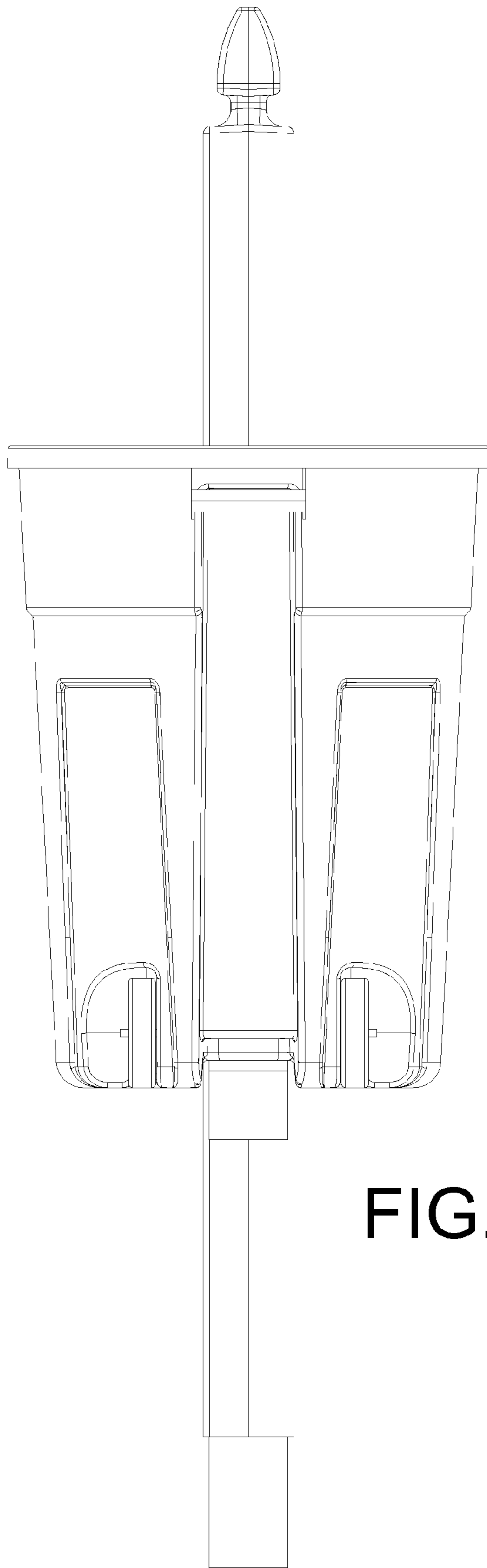


FIG. 3

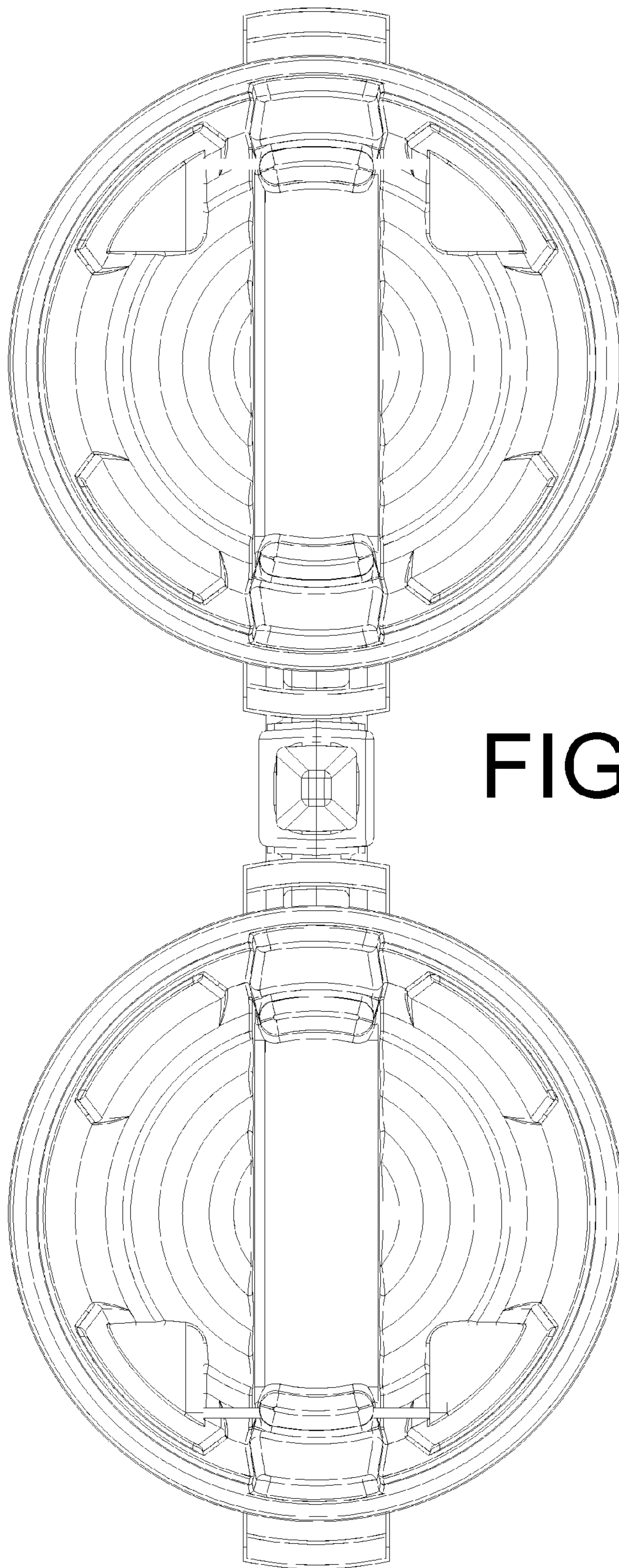


FIG. 4

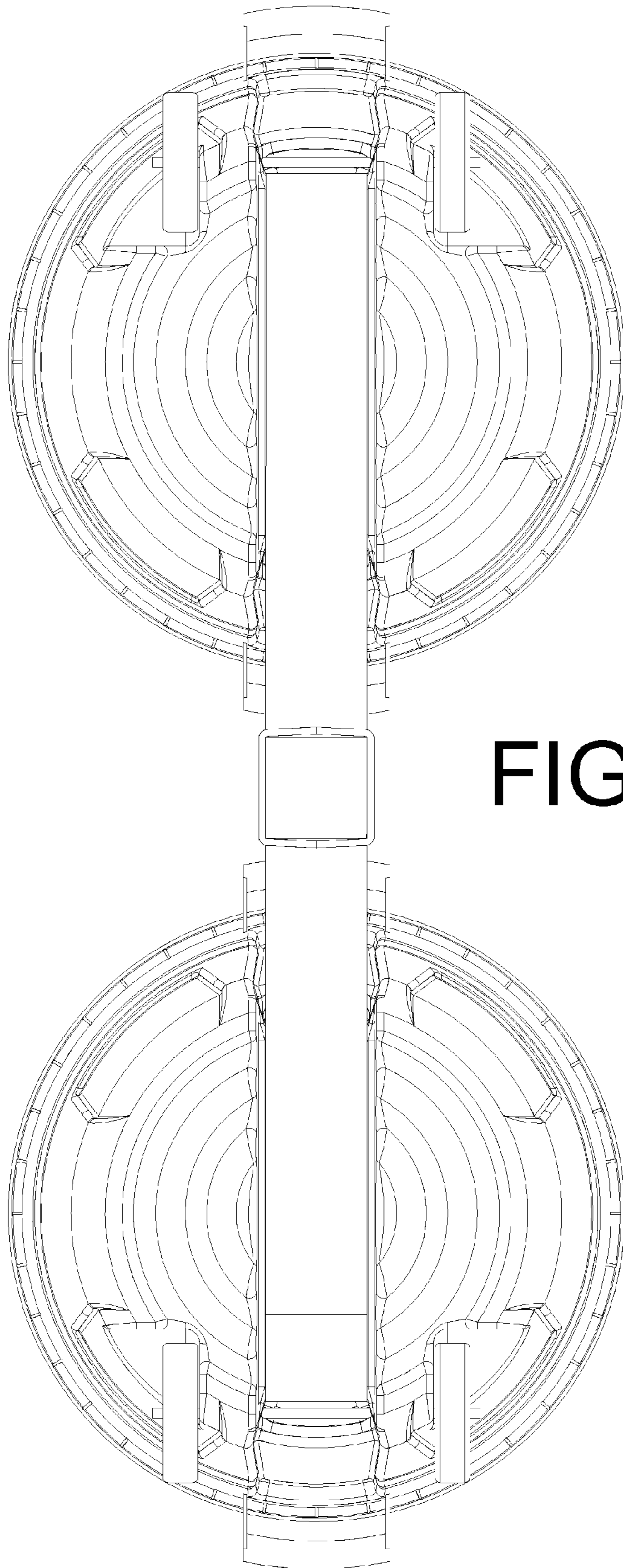


FIG. 5