



US00D552817S

(12) **United States Design Patent**  
**Harmon**

(10) **Patent No.:** **US D552,817 S**

(45) **Date of Patent:** **\*\* Oct. 9, 2007**

(54) **PAINT BRUSH HOLDER**

(76) Inventor: **Terry E. Harmon**, P.O. Box 334,  
Kingston, ID (US) 83839

(\*\*) Term: **14 Years**

(21) Appl. No.: **29/221,902**

(22) Filed: **Jan. 24, 2005**

(51) **LOC (8) Cl.** ..... **07-07**

(52) **U.S. Cl.** ..... **D32/54**

(58) **Field of Classification Search** ..... D32/53,  
D32/53.1, 54; 220/697, 699-701, 735-736;  
248/110, 113, 309.4; D8/394-395

See application file for complete search history.

(56) **References Cited**

**U.S. PATENT DOCUMENTS**

|           |   |   |         |                 |       |         |
|-----------|---|---|---------|-----------------|-------|---------|
| D213,357  | S | * | 2/1969  | Cortina         | ..... | D32/54  |
| 4,721,225 | A | * | 1/1988  | Sobel           | ..... | 220/736 |
| D343,266  | S | * | 1/1994  | Gromer          | ..... | D32/54  |
| 5,375,736 | A | * | 12/1994 | Gonzalez et al. | ..... | 220/697 |
| D358,691  | S | * | 5/1995  | Engle           | ..... | D32/54  |
| D366,741  | S | * | 1/1996  | Roehrig         | ..... | D32/54  |
| D374,751  | S | * | 10/1996 | Vong            | ..... | D32/54  |
| D383,272  | S | * | 9/1997  | McDonald        | ..... | D32/54  |
| 5,913,450 | A | * | 6/1999  | Runkel          | ..... | 220/696 |

D461,289 S \* 8/2002 LoSacco et al. .... D32/54  
D473,689 S \* 4/2003 Verhaar ..... D32/54

\* cited by examiner

*Primary Examiner*—Pamela J. Burgess

(74) *Attorney, Agent, or Firm*—Keith S. Bergman; William A. Jeckle

(57) **CLAIM**

The ornamental design for paint brush holder, shown and described.

**DESCRIPTION**

FIG. 1 is an isometric view of the paint brush holder showing my design;

FIG. 2 is a right end view thereof;

FIG. 3 is a left side view thereof;

FIG. 4 is a top view thereof;

FIG. 5 is a right side view thereof;

FIG. 6 is a bottom view thereof; and,

FIG. 7 is a left end view thereof.

The broken lines shown in FIG. 1 are for illustrative purposes only and form no part of the claimed design.

**1 Claim, 2 Drawing Sheets**

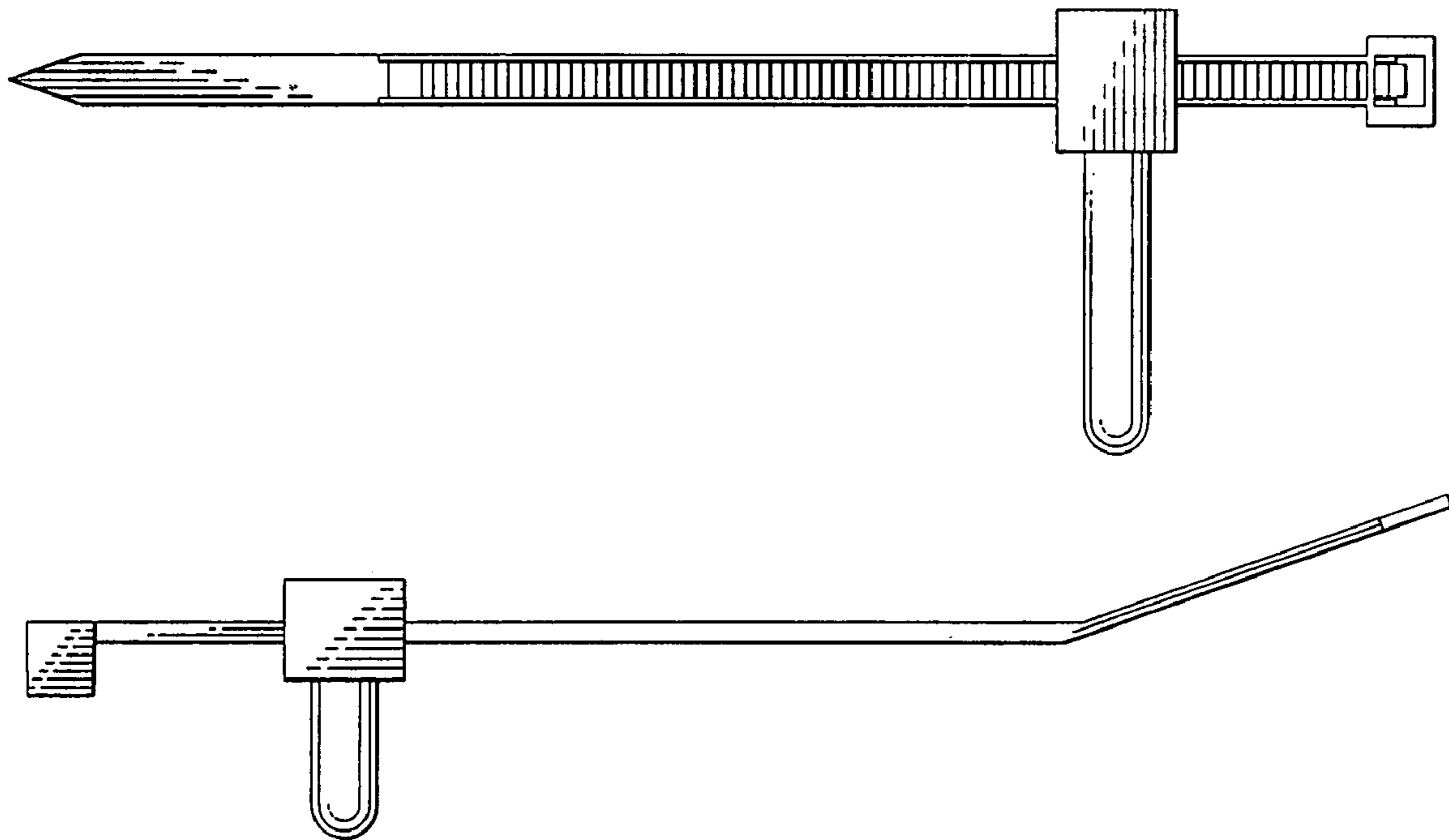
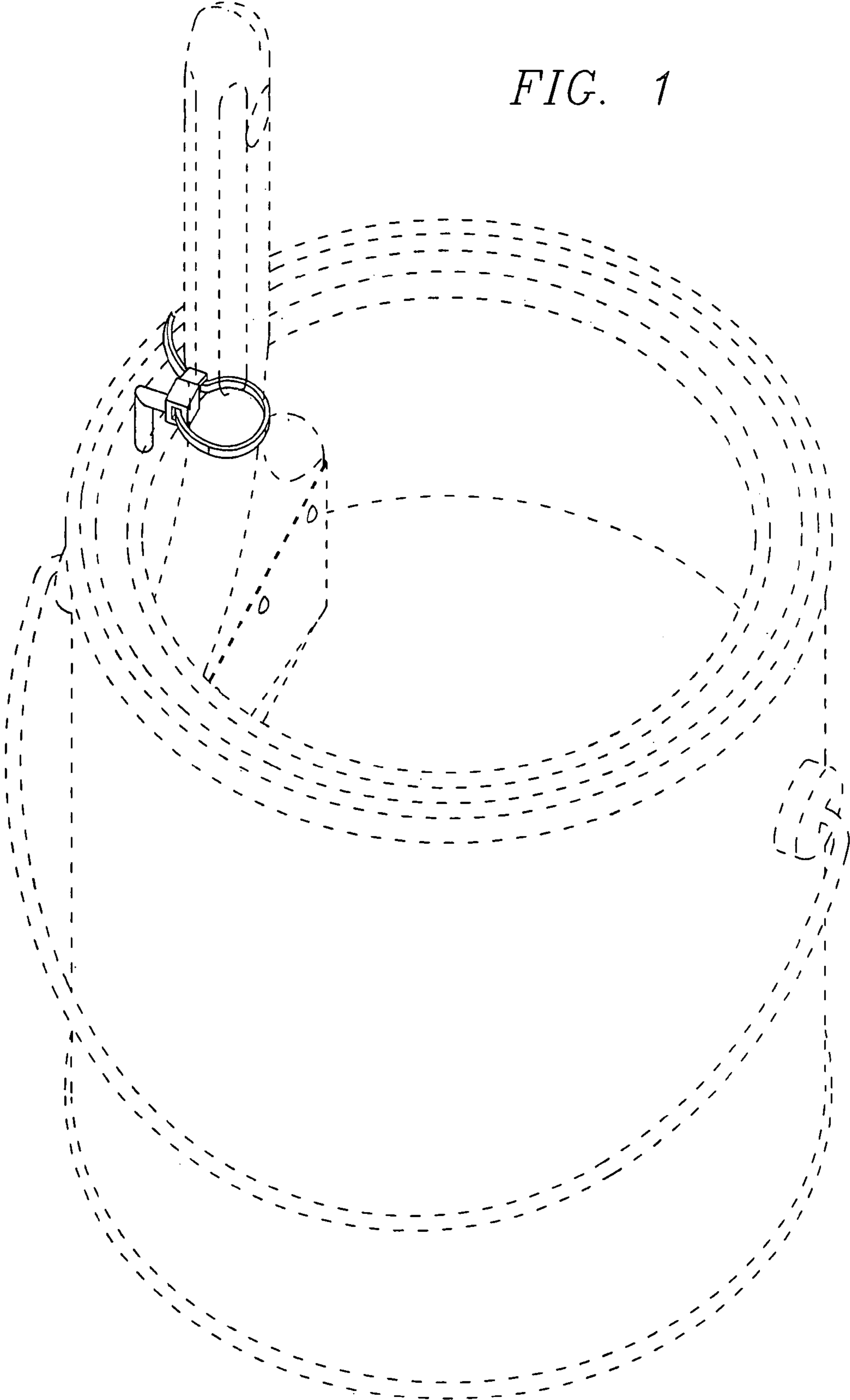


FIG. 1



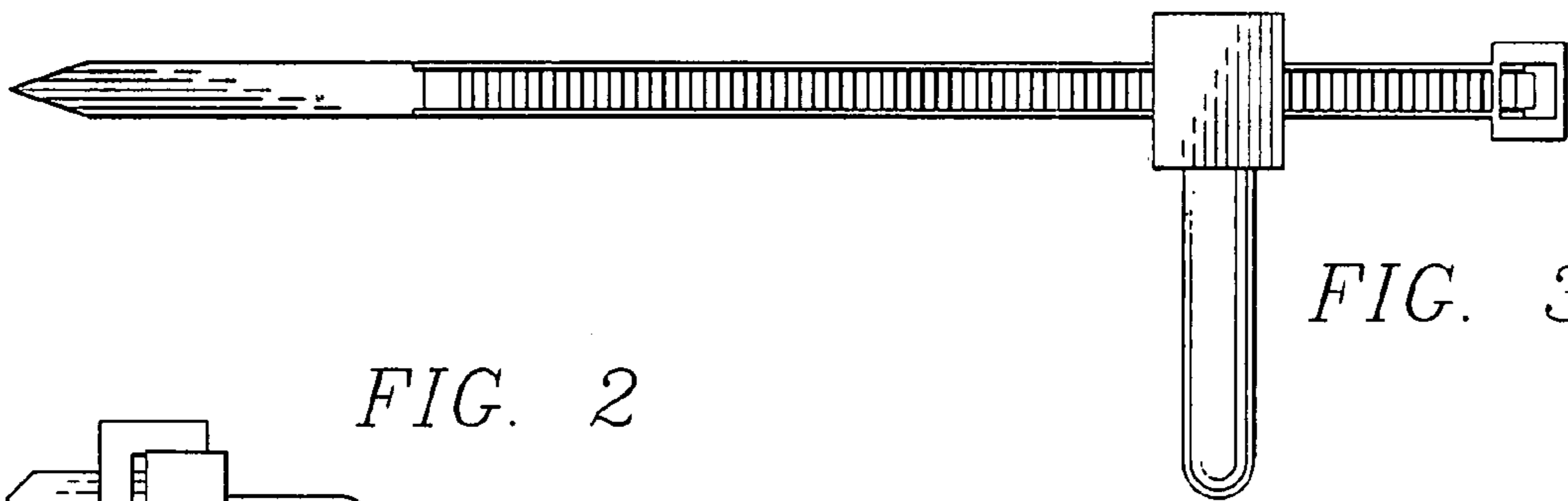


FIG. 3

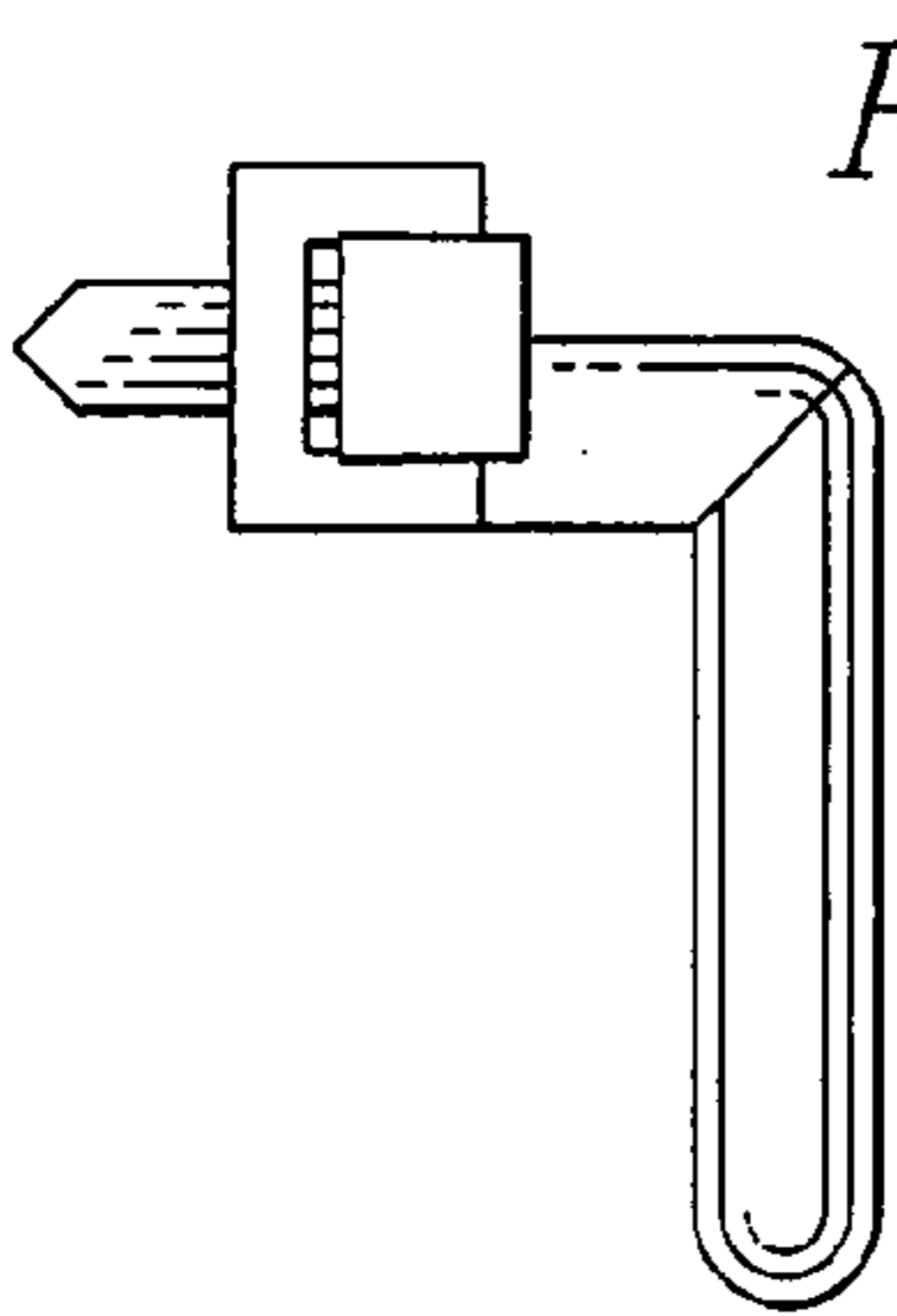


FIG. 2

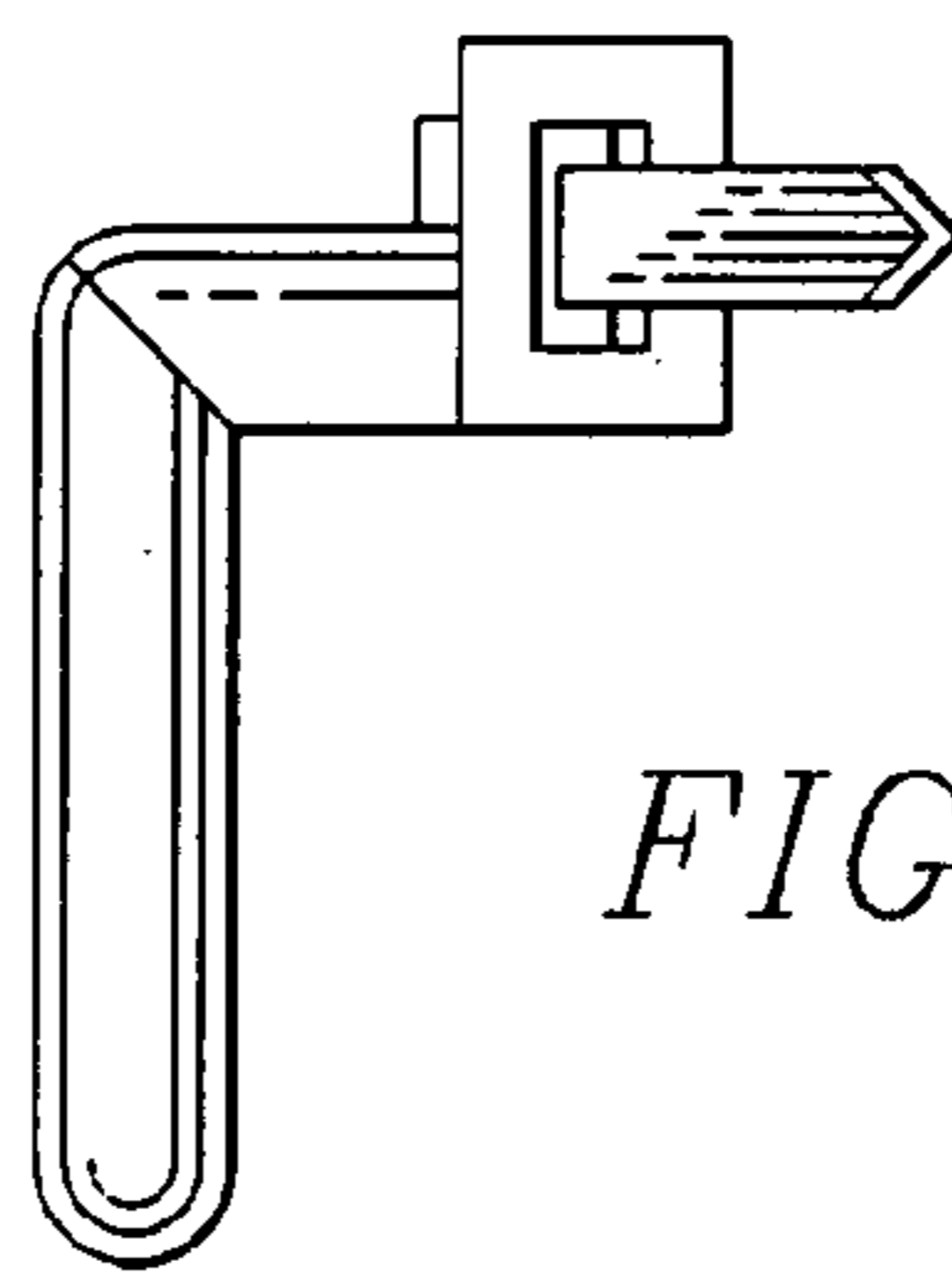


FIG. 7

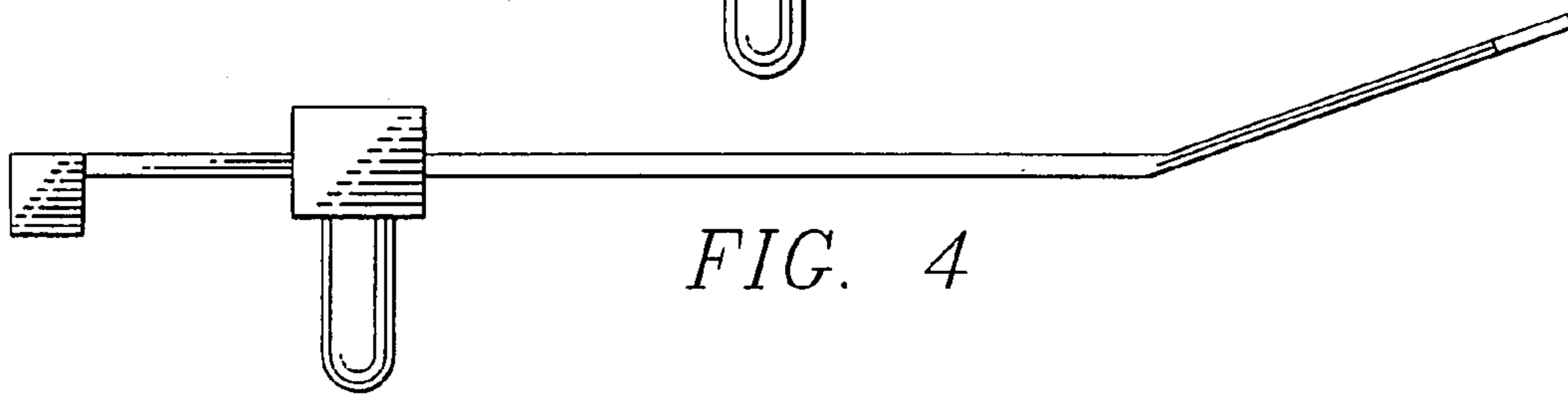


FIG. 4

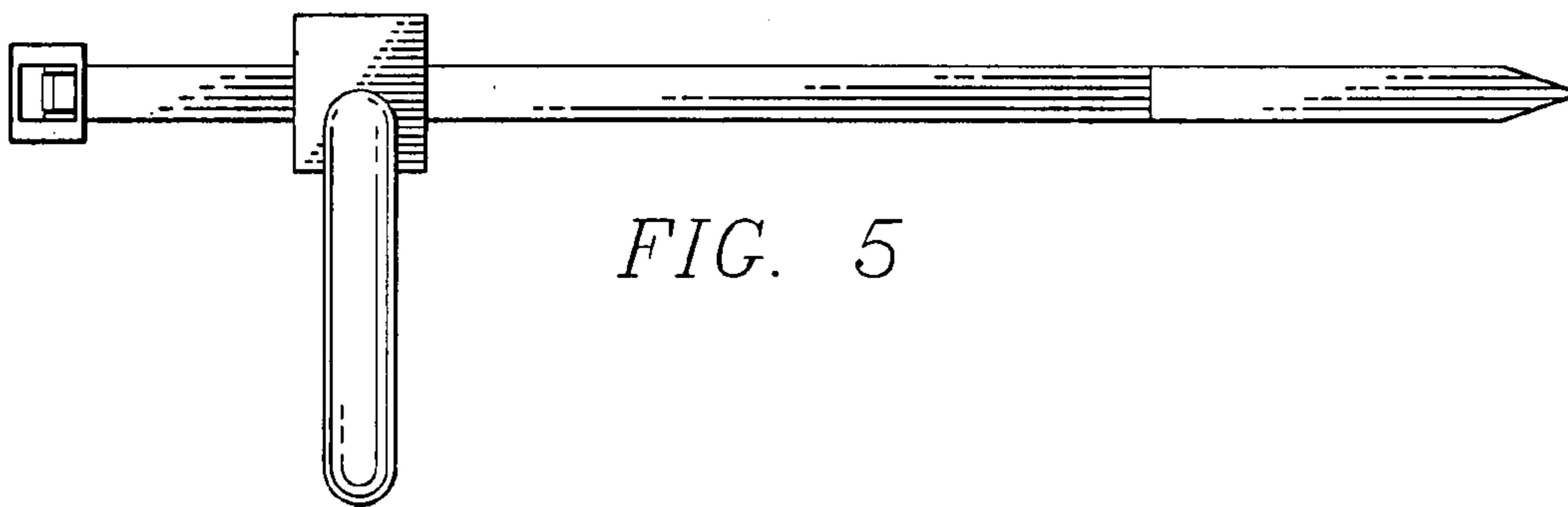


FIG. 5

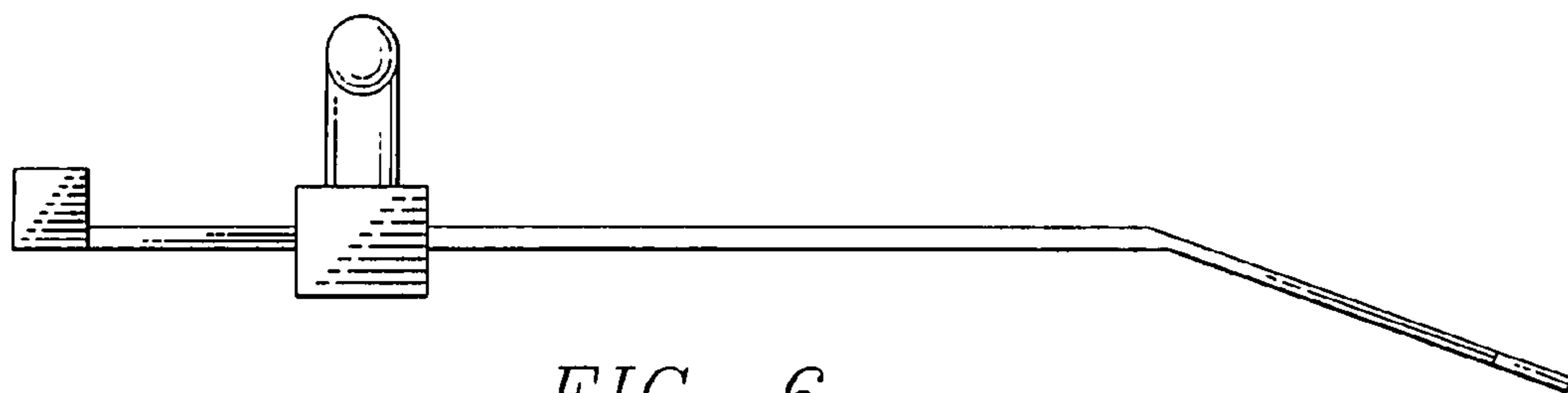


FIG. 6