



US00D552815S

(12) **United States Design Patent**  
**Bar-Noy et al.**

(10) **Patent No.:** **US D552,815 S**  
(45) **Date of Patent:** **\*\* Oct. 9, 2007**

(54) **MOP WITH A RECEPTACLE**

(75) Inventors: **Haim Bar-Noy**, Racine, WI (US); **Jay W. Hutchison**, Racine, WI (US); **James M. Scolaro**, Racine, WI (US); **Glenn N. Weaver**, Racine, WI (US); **Ronald Rhea Dir**, Sturtevant, WI (US)

(73) Assignee: **JohnsonDiversey, Inc.**, Sturtevant, WI (US)

(\*\*) Term: **14 Years**

(21) Appl. No.: **29/234,178**

(22) Filed: **Jul. 14, 2005**

(51) **LOC (8) Cl.** ..... **04-01**

(52) **U.S. Cl.** ..... **D32/50**

(58) **Field of Classification Search** ..... D32/35,  
D32/40, 42, 45, 51, 52, 53, 74; D4/116;  
15/105-106, 111, 116.1, 117, 119 R, 119 A,  
15/145-146, 147 R, 147 A-147 D, 171,  
15/229.1-229.9

See application file for complete search history.

(56) **References Cited**

U.S. PATENT DOCUMENTS

D31,183 S \* 7/1899 Gerwig ..... D32/74

(Continued)

*Primary Examiner*—Alan P. Douglas

*Assistant Examiner*—Barbara Fox

(74) *Attorney, Agent, or Firm*—Gregory S. Bollis; James J. Sales; Renee J. Rymarz

(57) **CLAIM**

We claim the ornamental design for a mop with a receptacle, as shown and described.

**DESCRIPTION**

FIG. 1 is a perspective view of a mop with a receptacle embodying aspects of the invention.

FIG. 2 is a top view of the mop shown in FIG. 1.

FIG. 3 is a bottom view of the mop shown in FIG. 1.

FIG. 4 is a front view of the mop shown in FIG. 1.

FIG. 5 is a rear view of the mop shown in FIG. 1.

FIG. 6 is a right side view of the mop shown in FIG. 1.

FIG. 7 is a left side view of the mop shown in FIG. 1.

FIG. 8 is a perspective view of a second embodiment of a mop with a receptacle embodying aspects of the invention.

FIG. 9 is a top view of the mop shown in FIG. 8.

FIG. 10 is a bottom view of the mop shown in FIG. 8.

FIG. 11 is a front view of the mop shown in FIG. 8.

FIG. 12 is a rear view of the mop shown in FIG. 8.

FIG. 13 is a right side view of the mop shown in FIG. 8.

FIG. 14 is a left side view of the mop shown in FIG. 8.

FIG. 15 is a perspective view of a third embodiment of a mop with a receptacle embodying aspects of the invention.

FIG. 16 is a top view of the mop shown in FIG. 15.

FIG. 17 is a bottom view of the mop shown in FIG. 15.

FIG. 18 is a front view of the mop shown in FIG. 15.

FIG. 19 is a rear view of the mop shown in FIG. 15.

FIG. 20 is a right side view of the mop shown in FIG. 15.

FIG. 21 is a left side view of the mop shown in FIG. 15.

FIG. 22 is a perspective view of a fourth embodiment of a mop with a receptacle embodying aspects of the invention.

FIG. 23 is a top view of the mop shown in FIG. 22.

FIG. 24 is a bottom view of the mop shown in FIG. 22.

FIG. 25 is a front view of the mop shown in FIG. 22.

FIG. 26 is a rear view of the mop shown in FIG. 22.

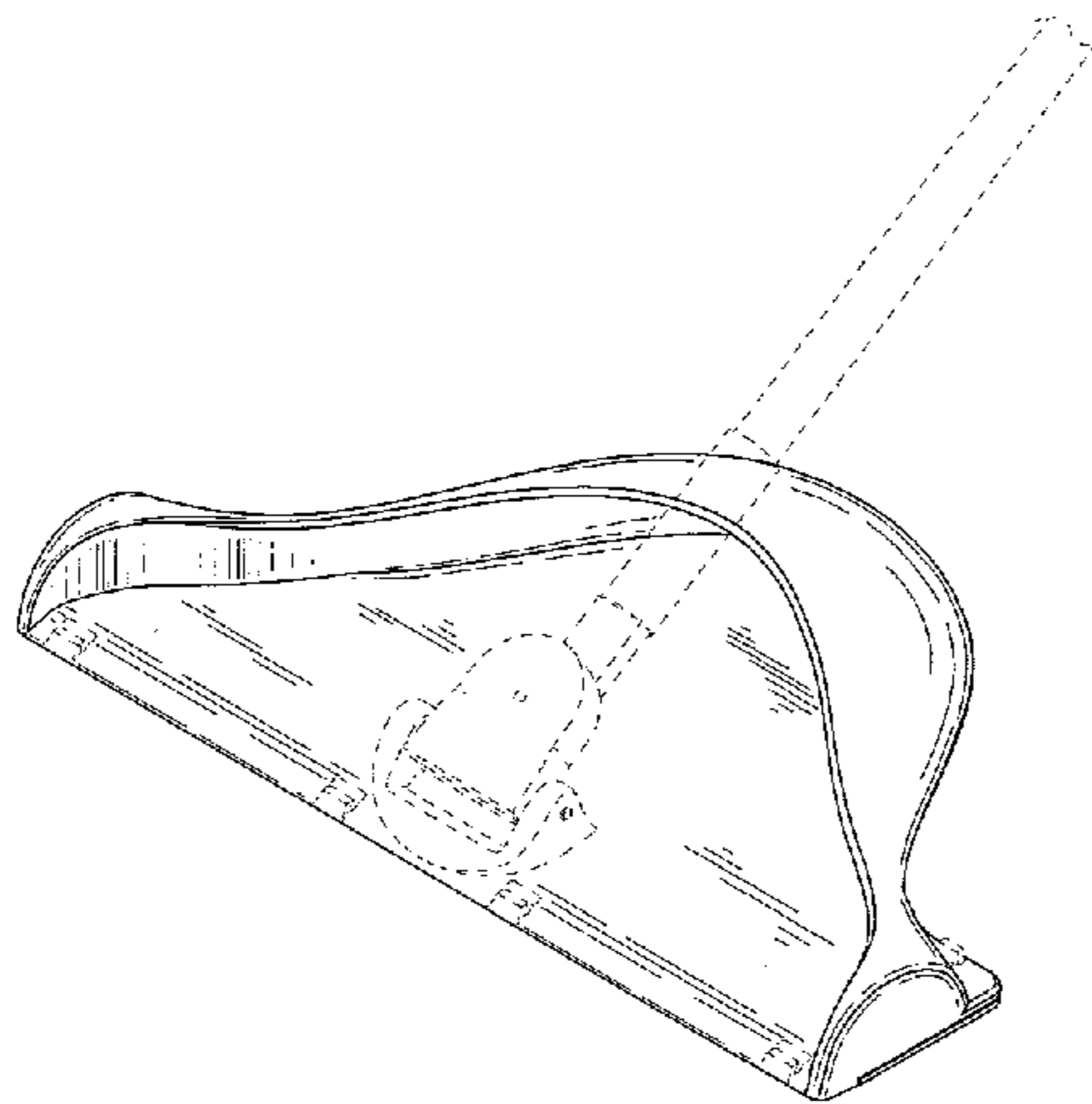
FIG. 27 is a right side view of the mop shown in FIG. 22; and,

FIG. 28 is a left side view of the mop shown in FIG. 22.

The present application is directed to the shape and contour of a mop with a receptacle of the design illustrated in the drawing.

The broken lines in the drawings represent unclaimed subject matter.

**1 Claim, 22 Drawing Sheets**



# US D552,815 S

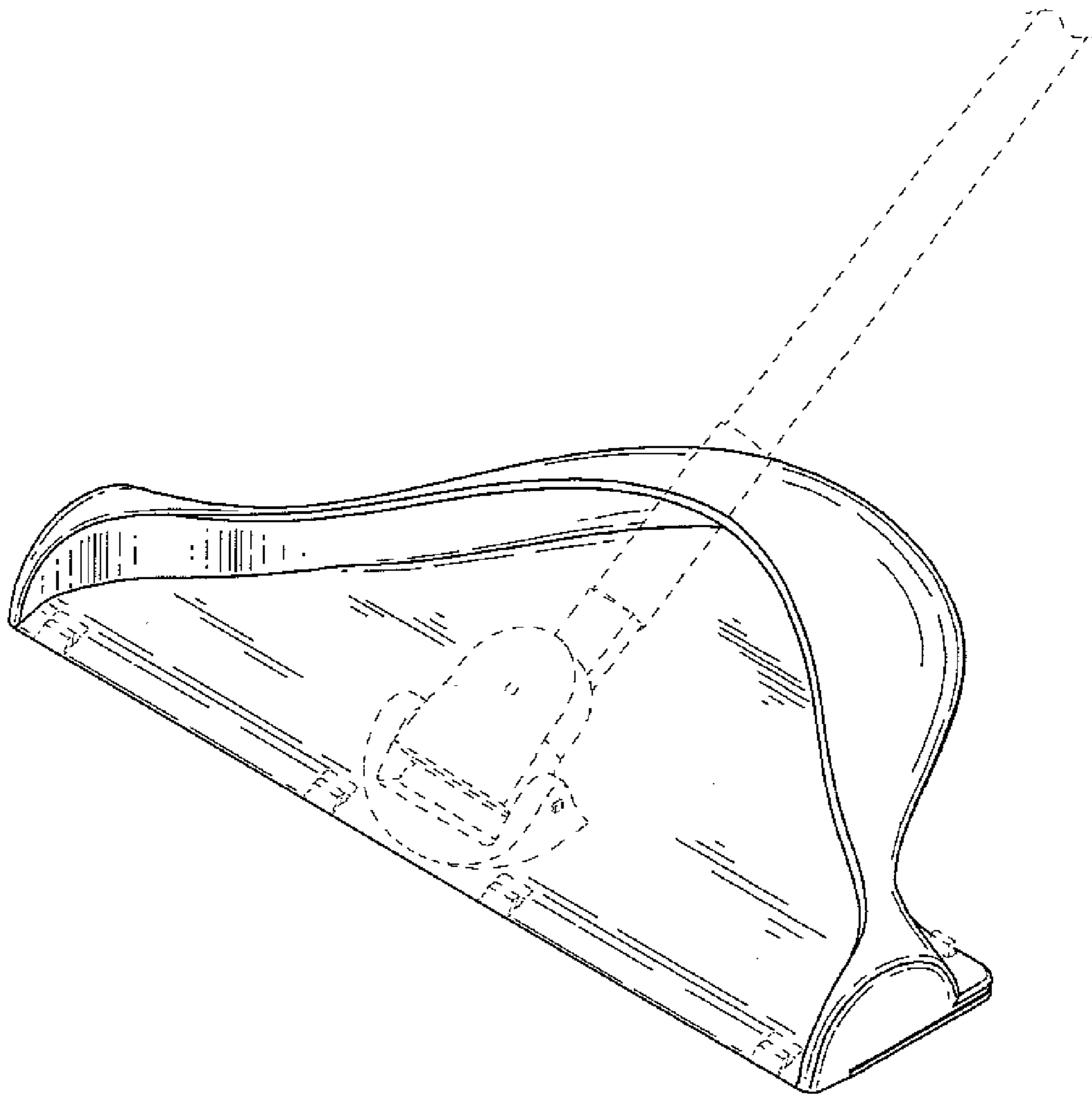
Page 2

---

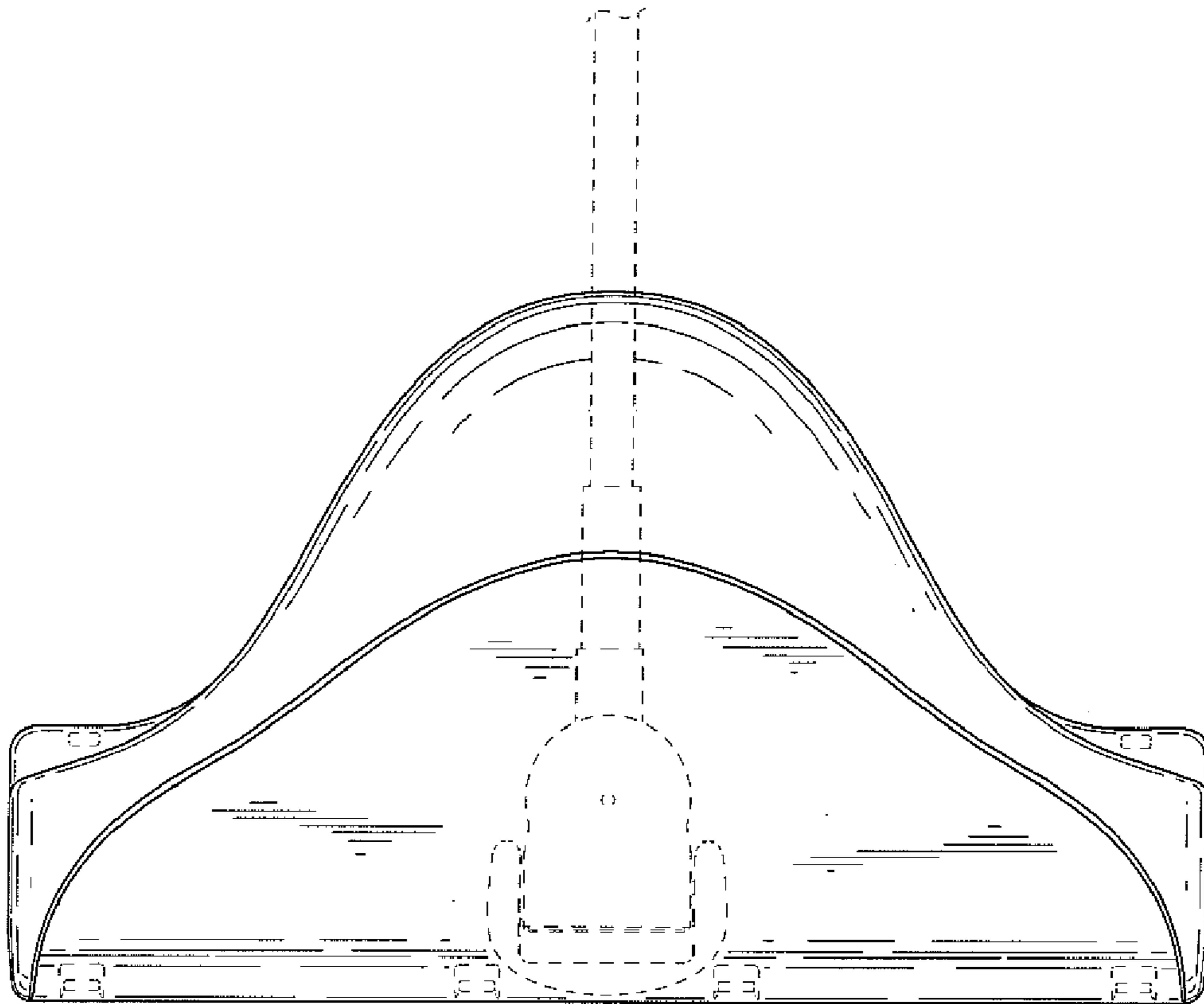
## U.S. PATENT DOCUMENTS

2,999,259	A	9/1961	Polner .....	15/104.8	D461,610	S	*	8/2002	Perelli .....	D32/74	
3,056,993	A	10/1962	Lewis .....	15/310	D468,879	S	*	1/2003	Perelli .....	D32/74	
3,324,494	A	6/1967	Vosbikian .....	15/105	D502,299	S	*	2/2005	Junghans .....	D32/35	
3,733,636	A	5/1973	Osadsky .....	15/111	D509,035	S	*	8/2005	Libman et al. ....	D32/74	
D300,905	S	*	5/1989	Perkins .....	D9/415	D533,356	S	*	12/2006	Van LANDINGHAM, Jr. ....	D4/199
D323,940	S	*	2/1992	Murphy et al. ....	D4/116	2003/0164176	A1	*	9/2003	Arbon .....	134/6
5,092,699	A	*	3/1992	Silvenis .....	401/21	2003/0167588	A1	*	9/2003	Perelli et al. ....	15/257.7
5,469,594	A	*	11/1995	Nolte .....	15/121	2004/0134004	A1		7/2004	Kaleta .....	15/104.002
D449,911	S	*	10/2001	Goodman .....	D32/74	2005/0155627	A1		7/2005	Bober et al. ....	134/6

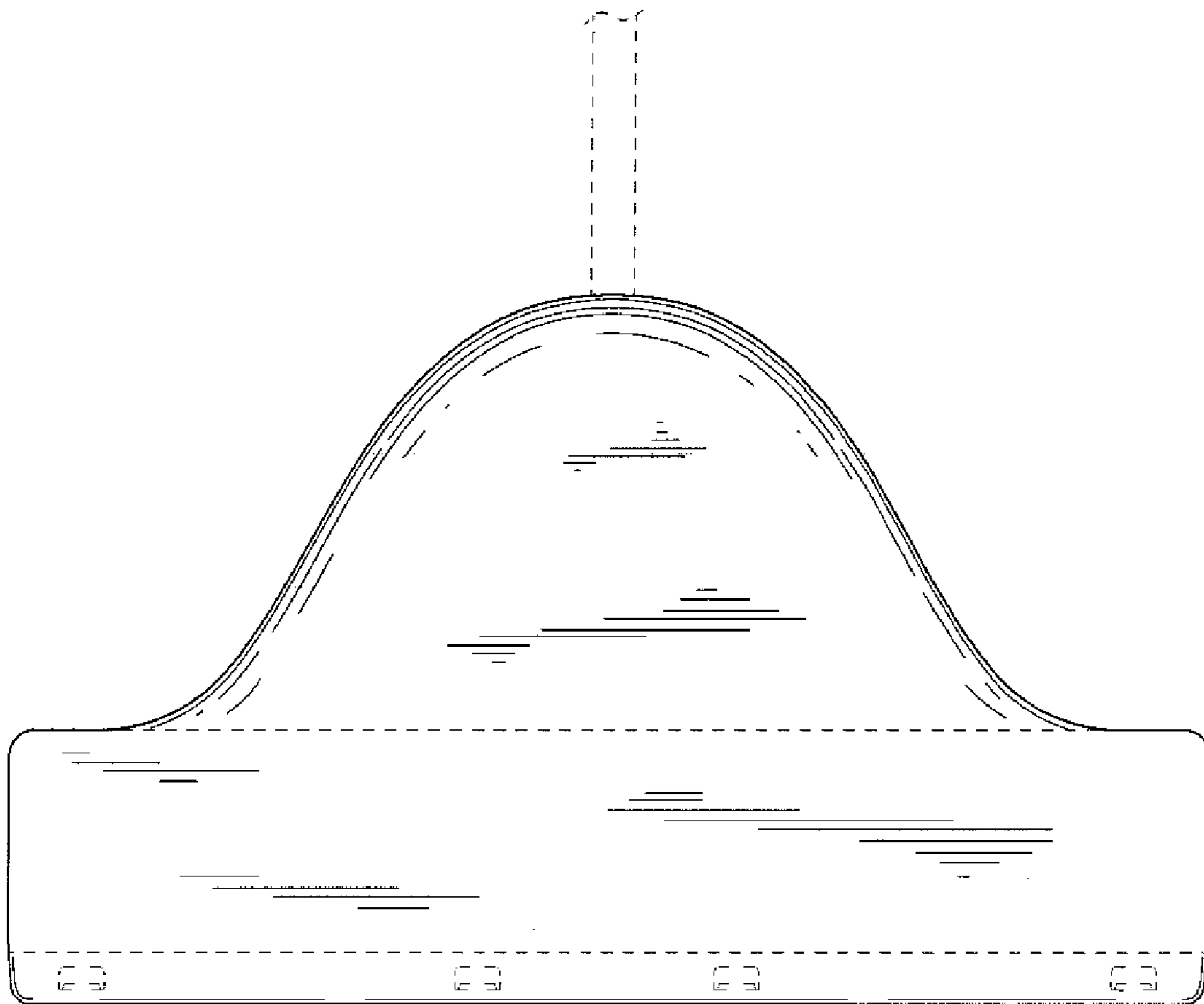
\* cited by examiner



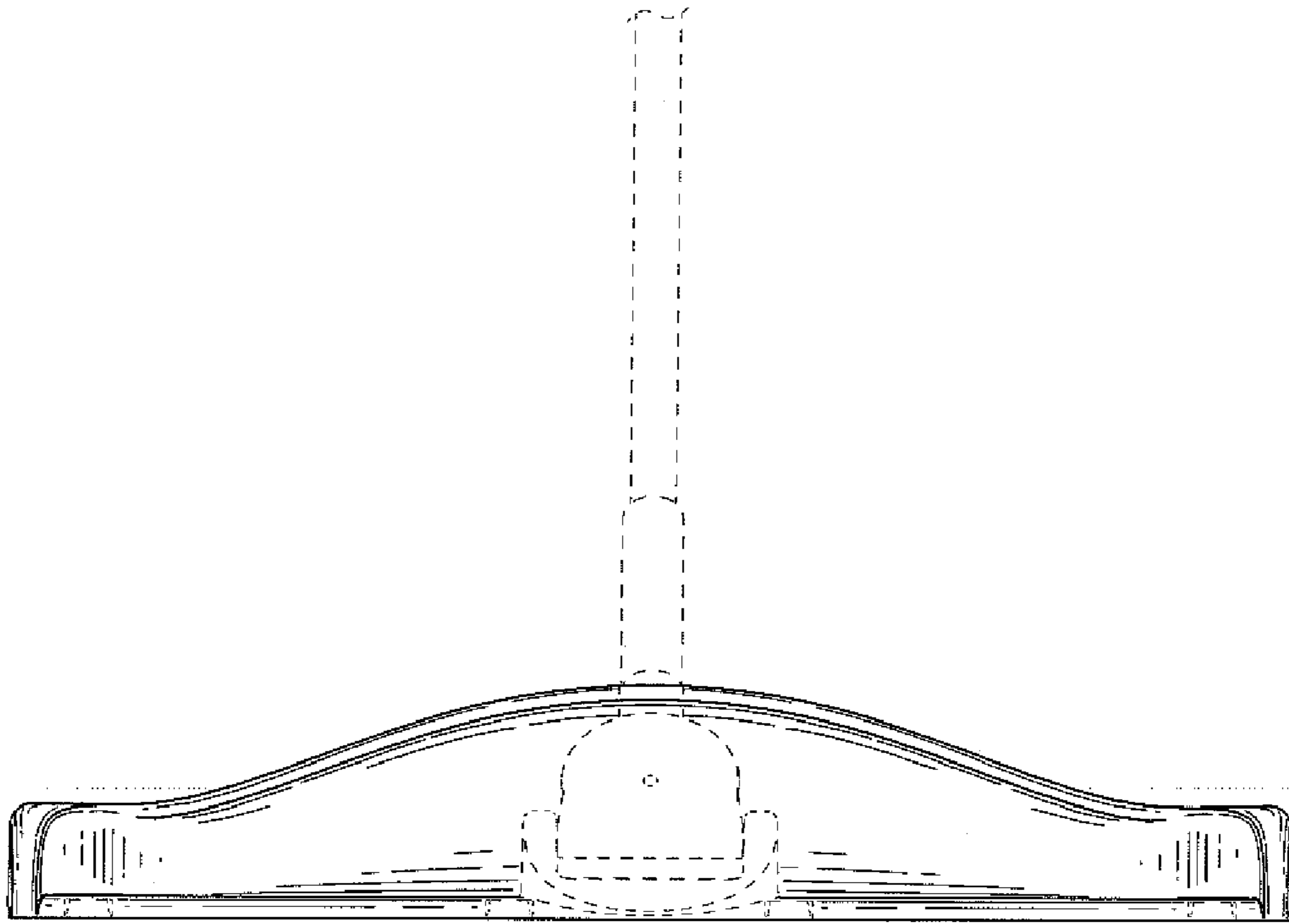
**FIG. 1**



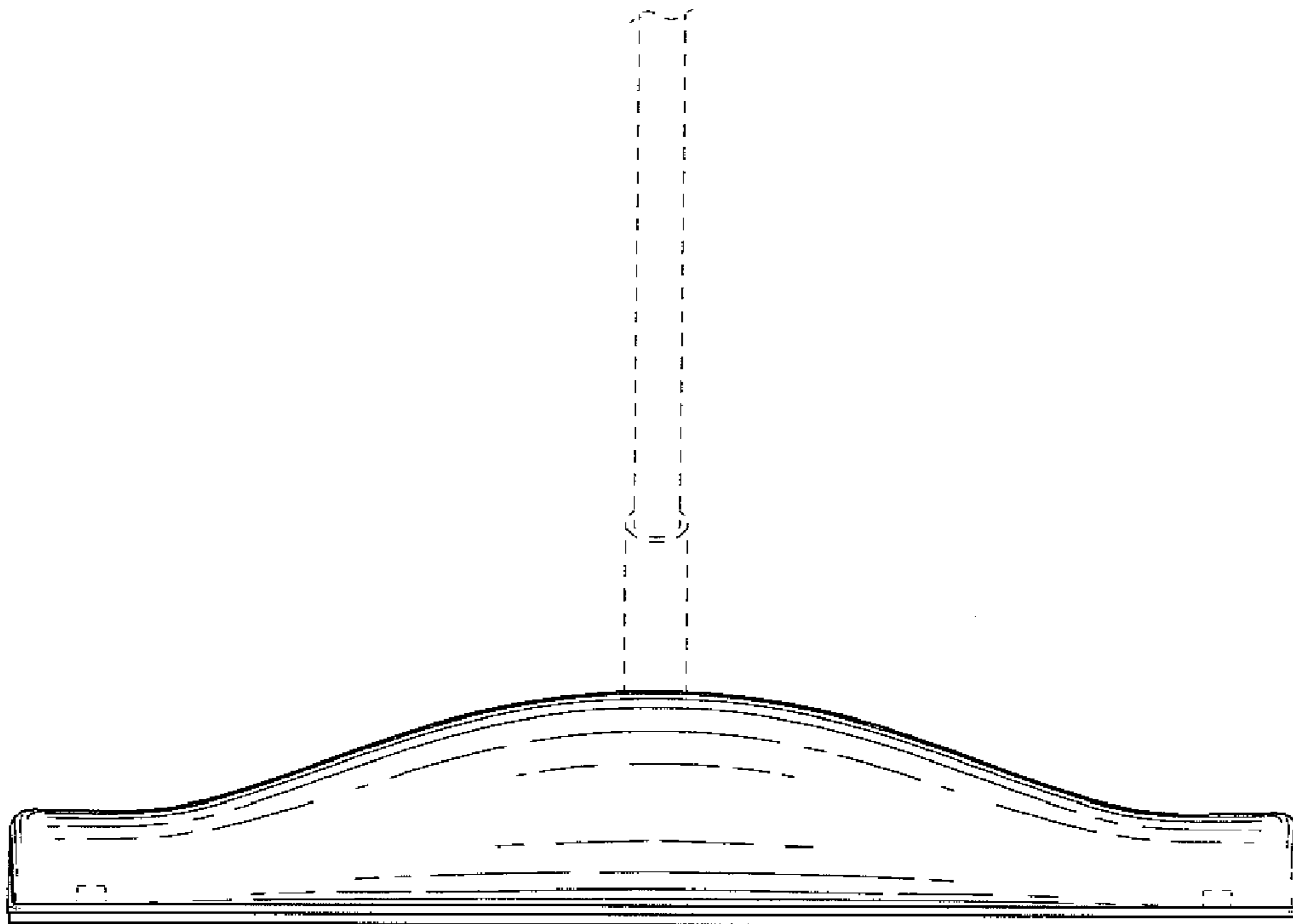
**FIG. 2**



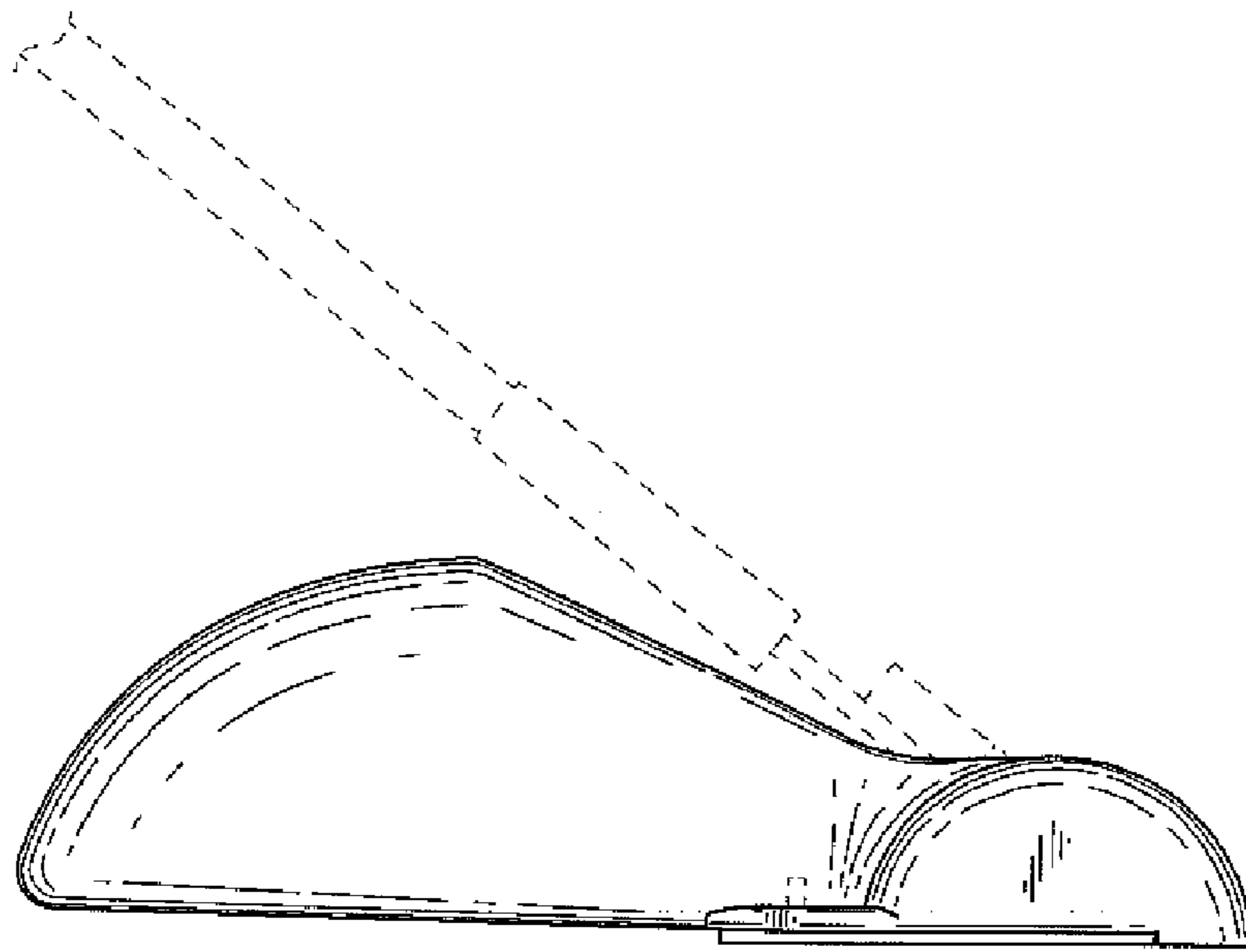
**FIG. 3**



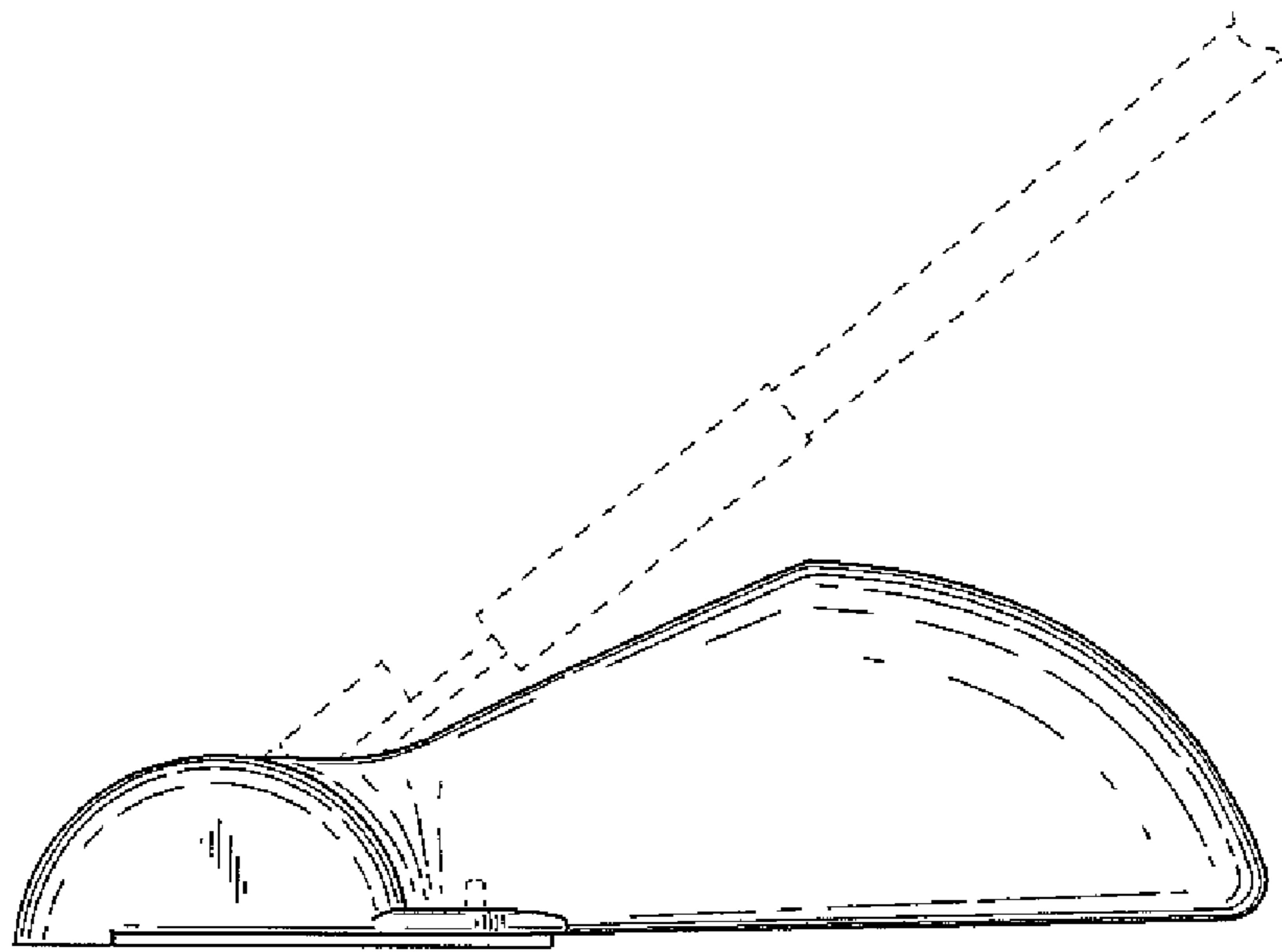
**FIG. 4**



**FIG. 5**

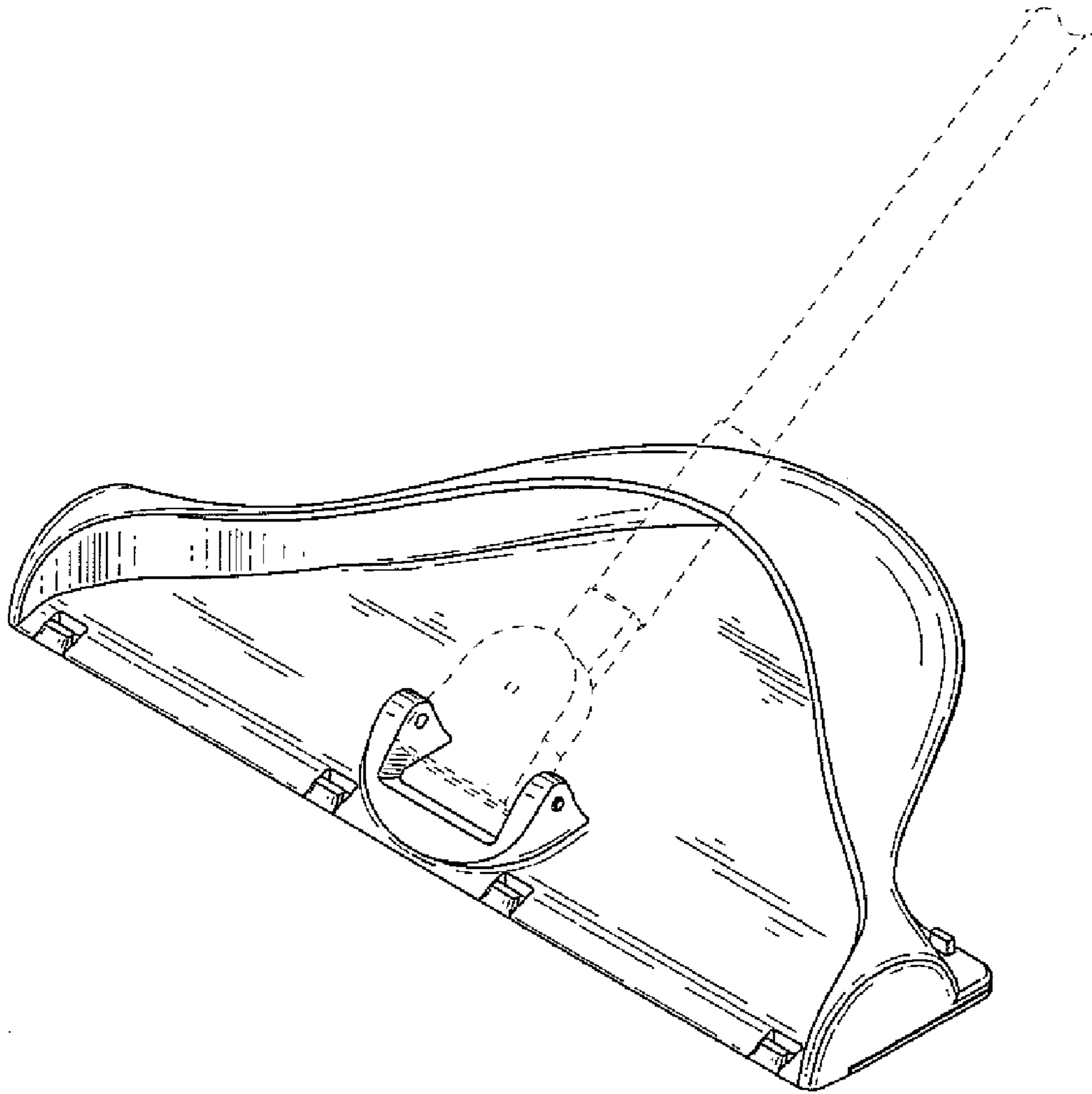


**FIG. 6**



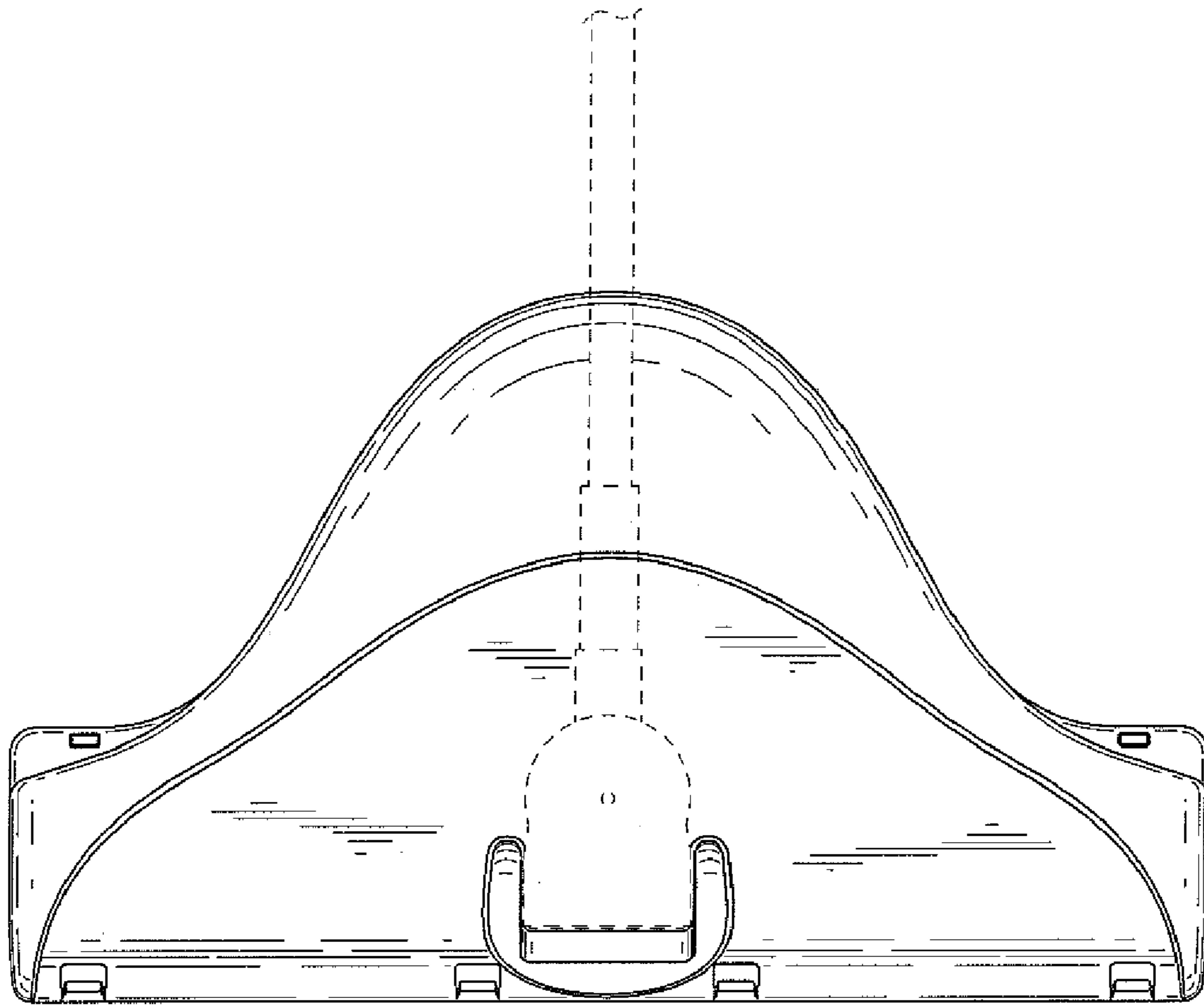
**FIG. 7**



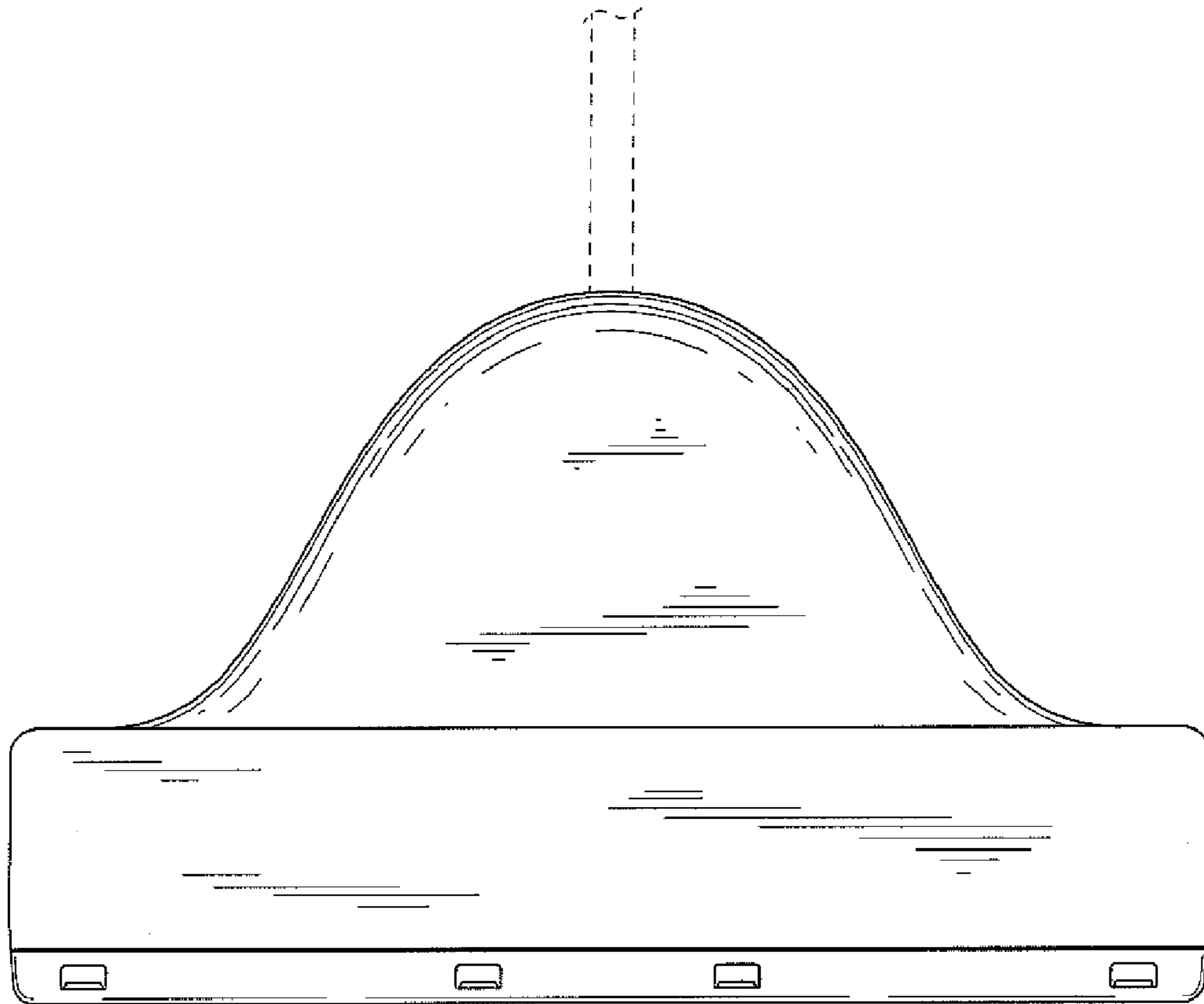


**FIG. 8**

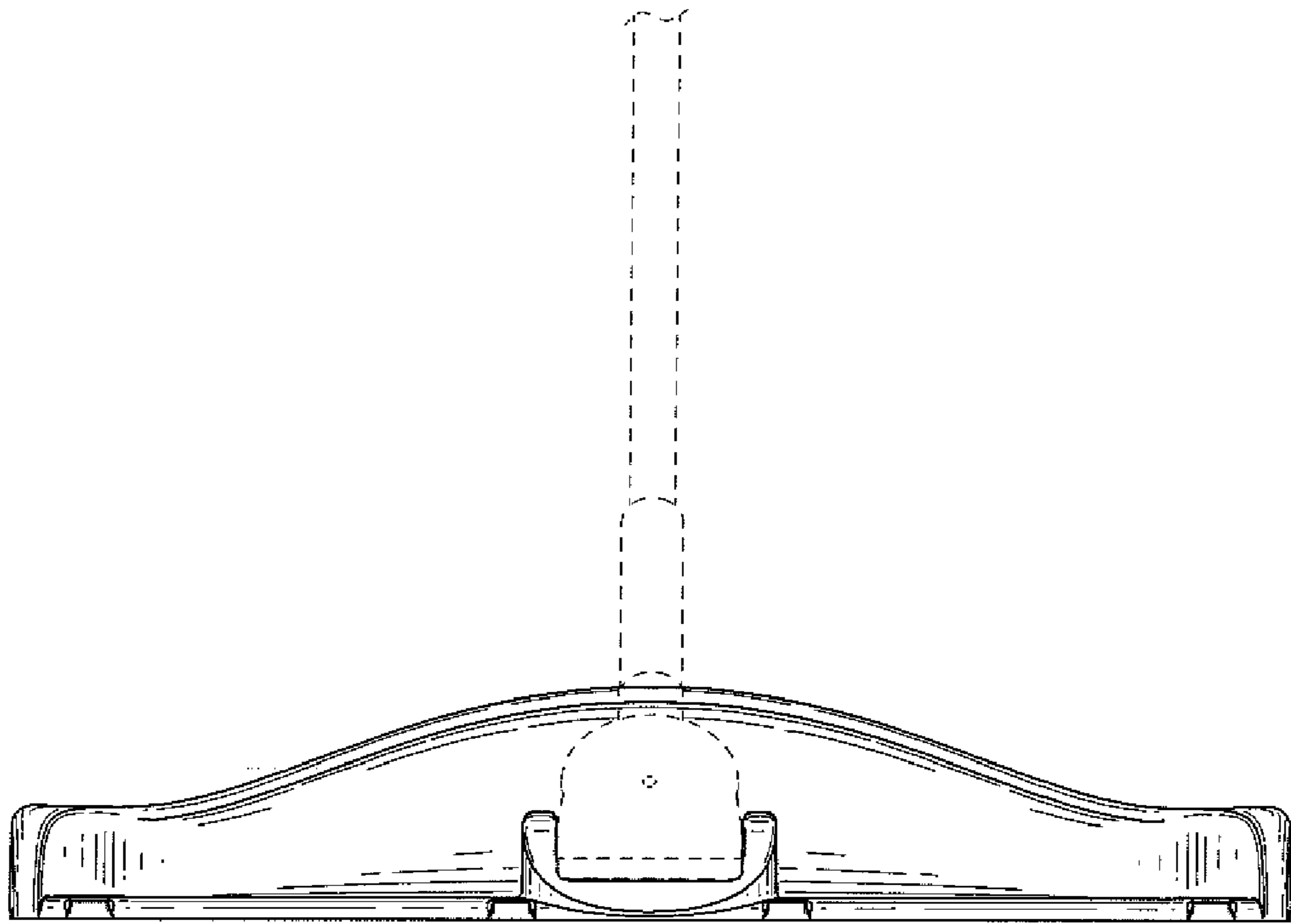




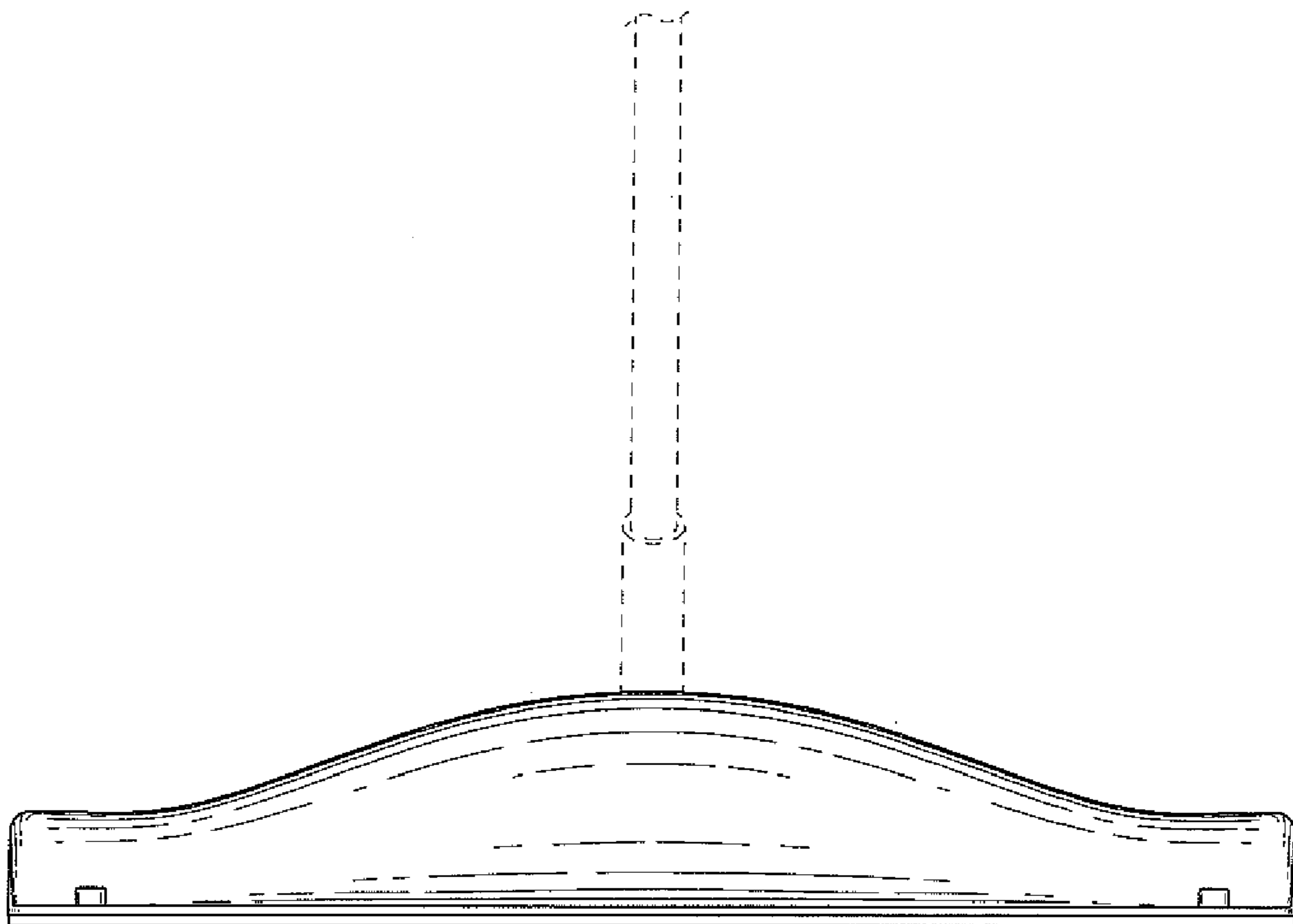
**FIG. 9**



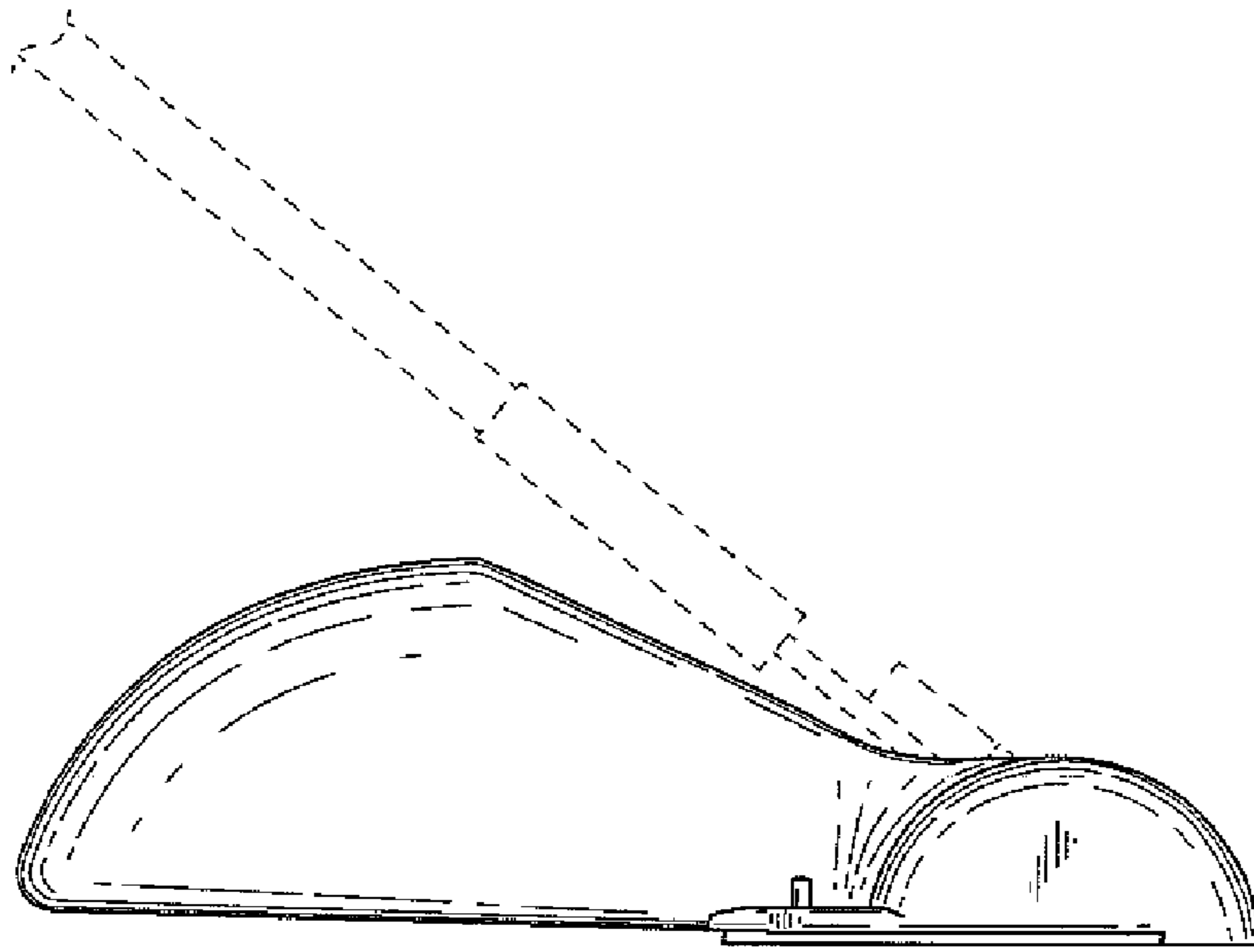
**FIG. 10**



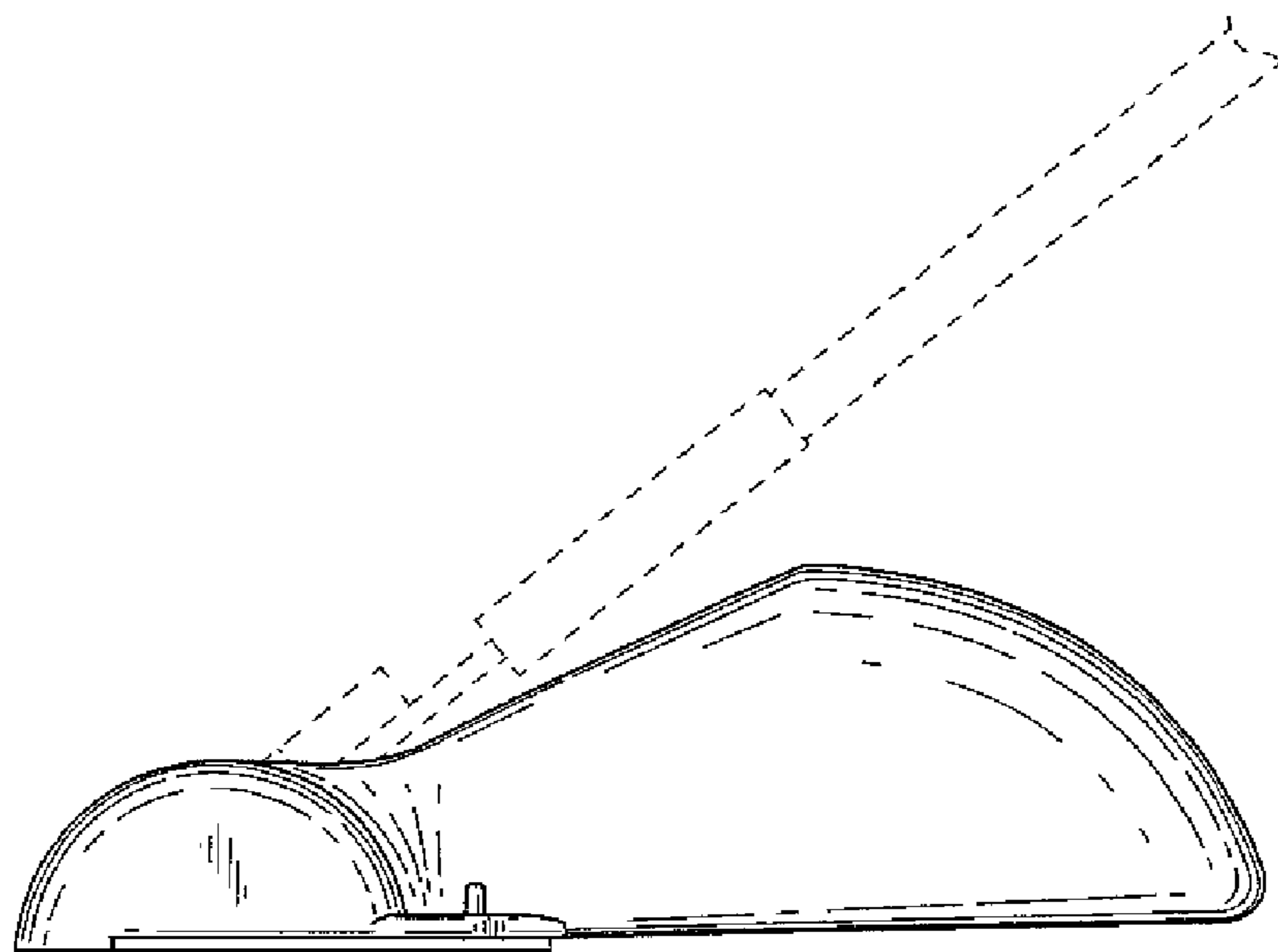
**FIG. 11**



**FIG. 12**



**FIG. 13**



**FIG. 14**

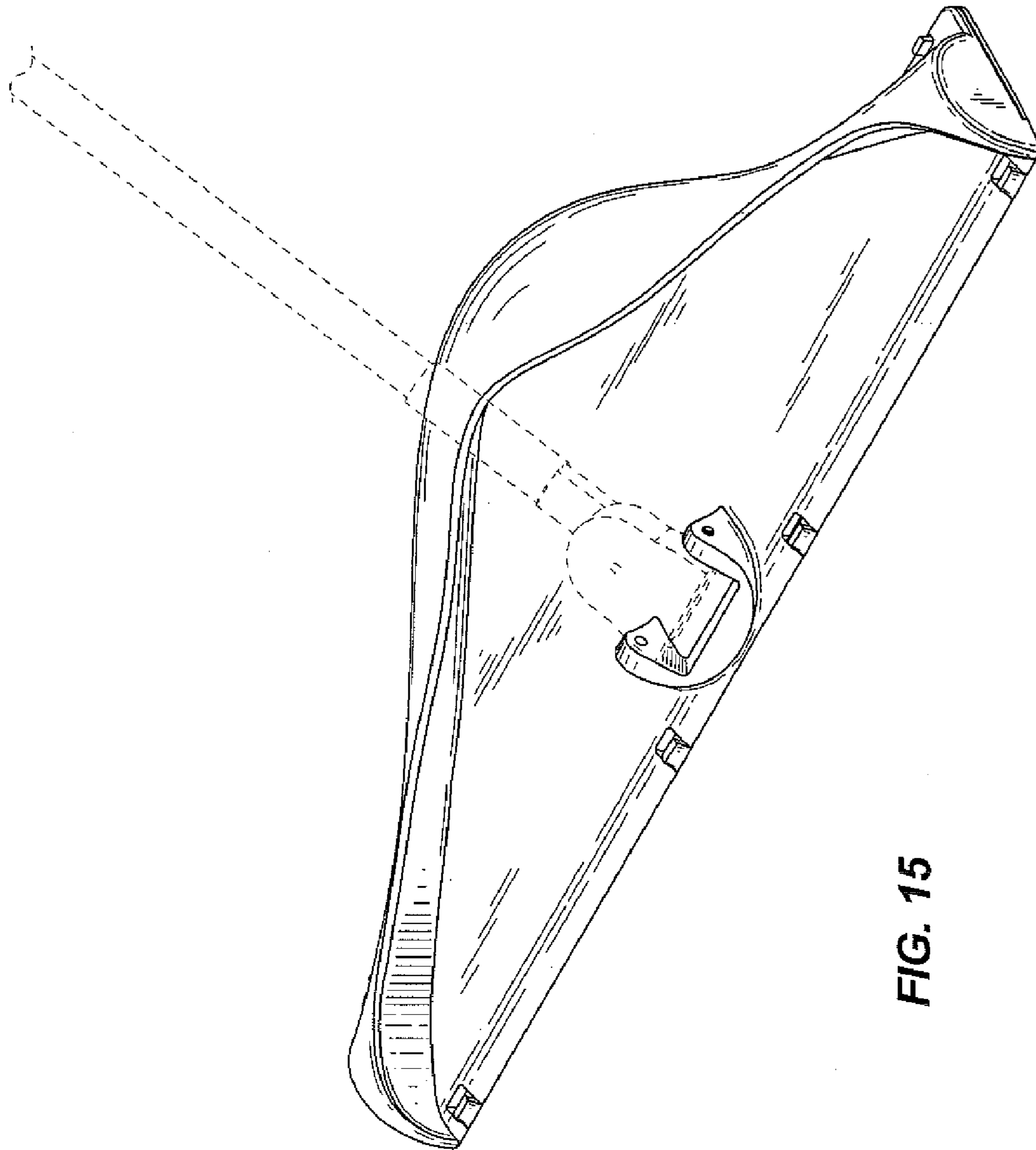


FIG. 15

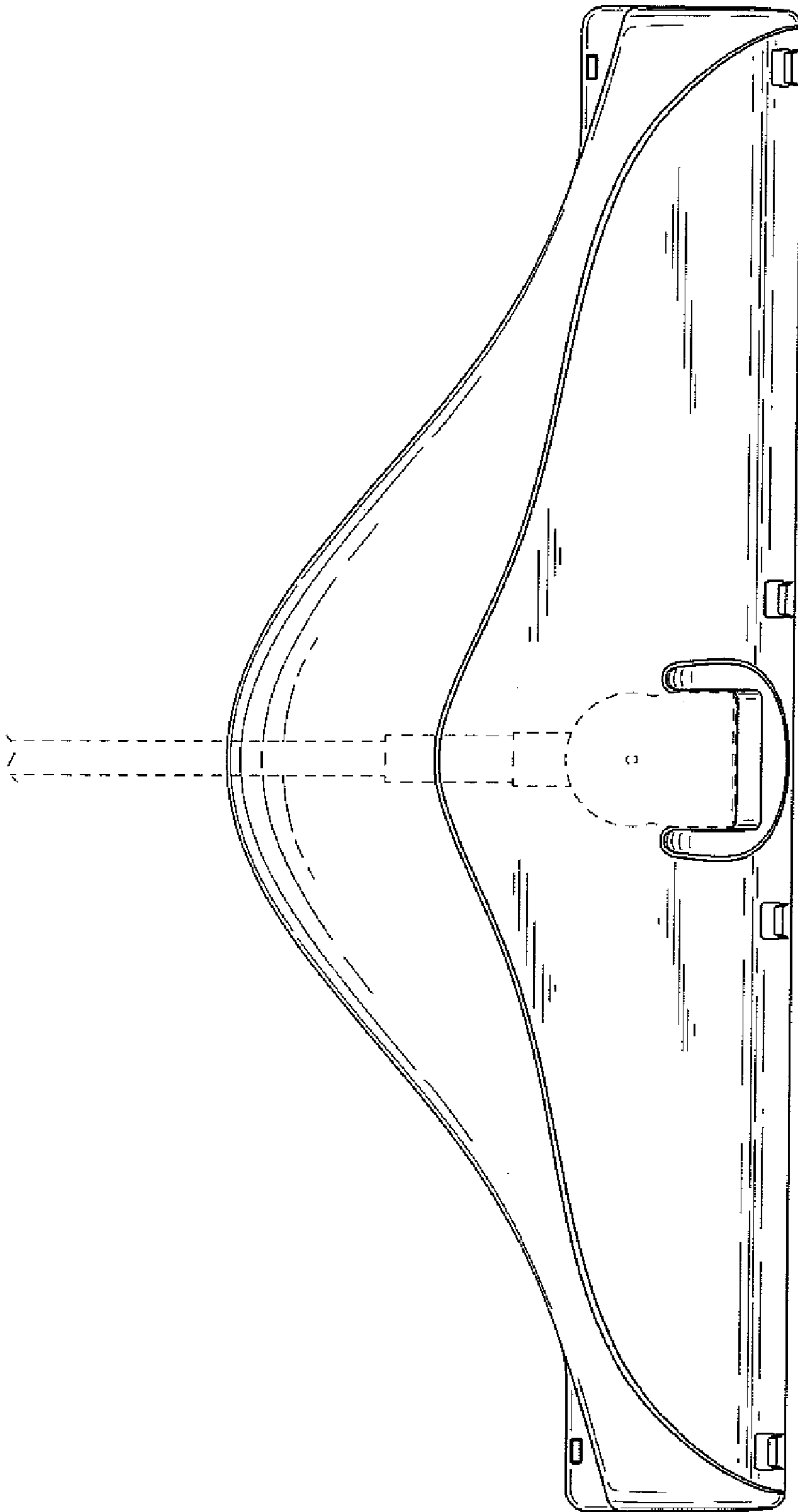


FIG. 16

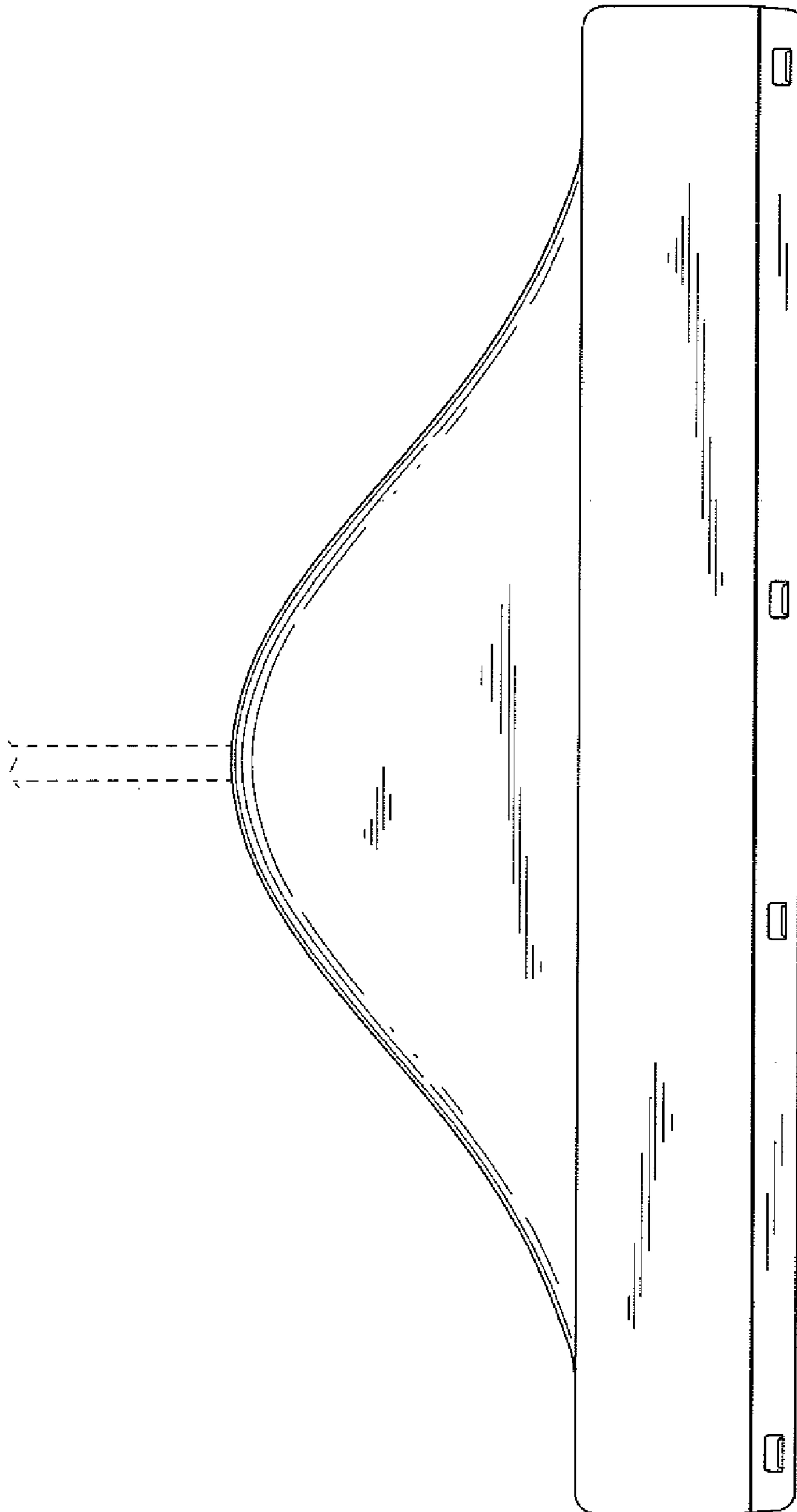


FIG. 17



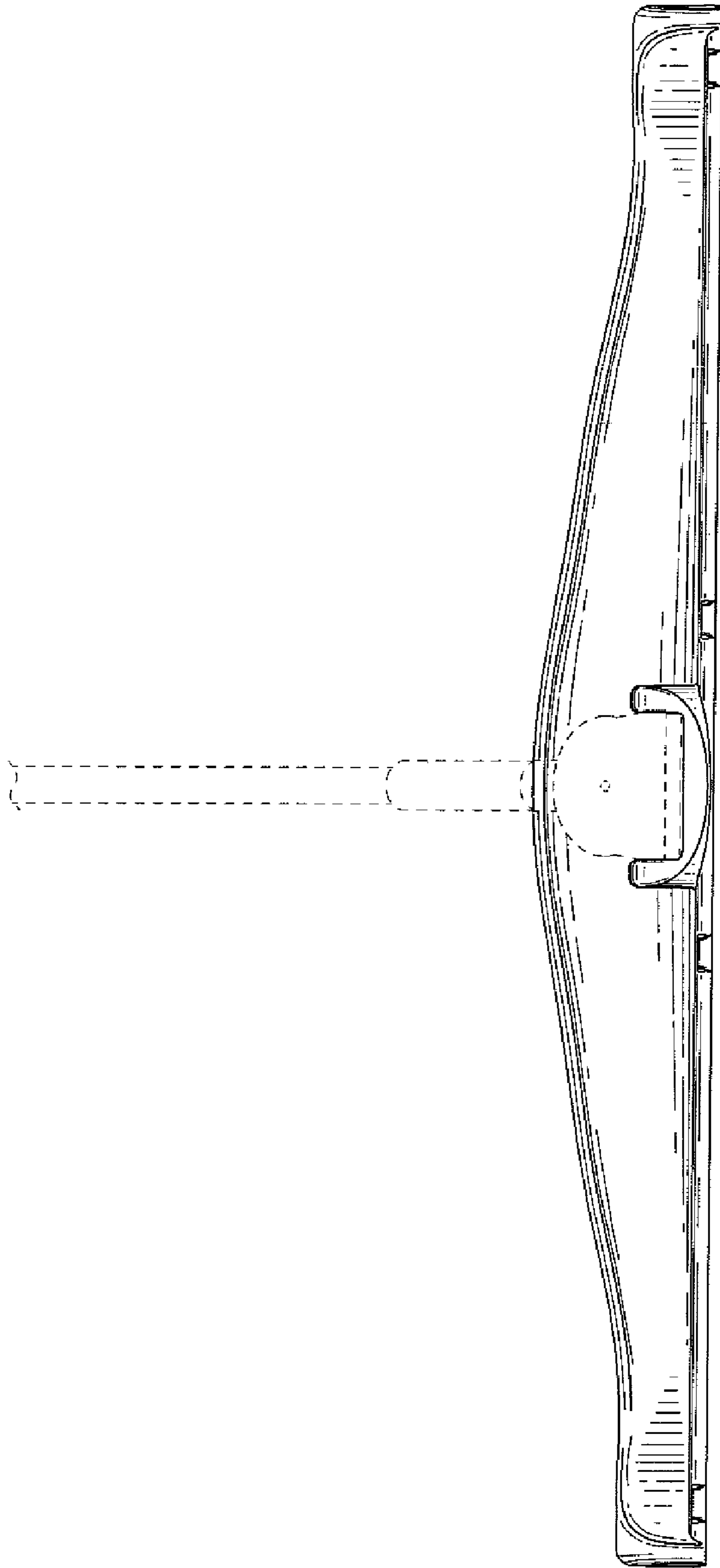


FIG. 18

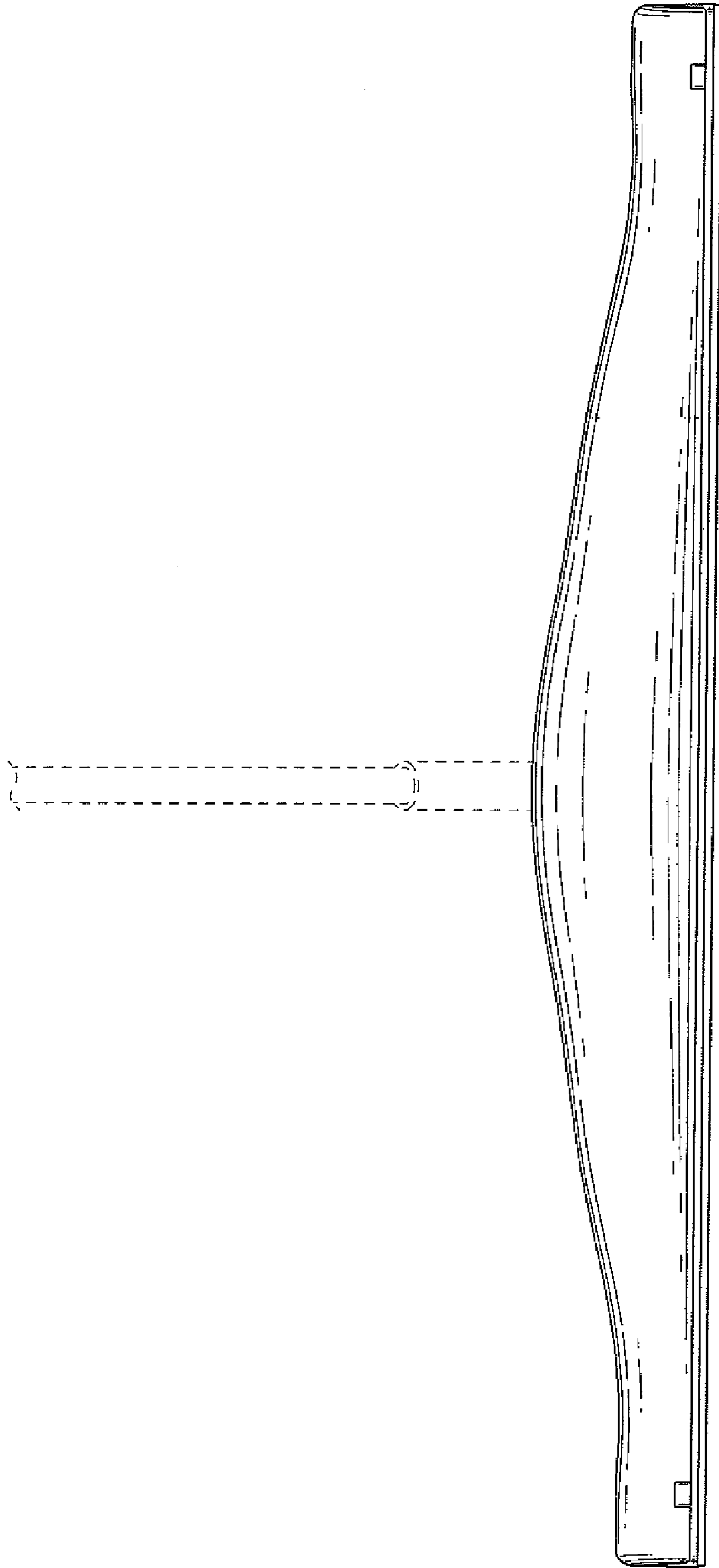
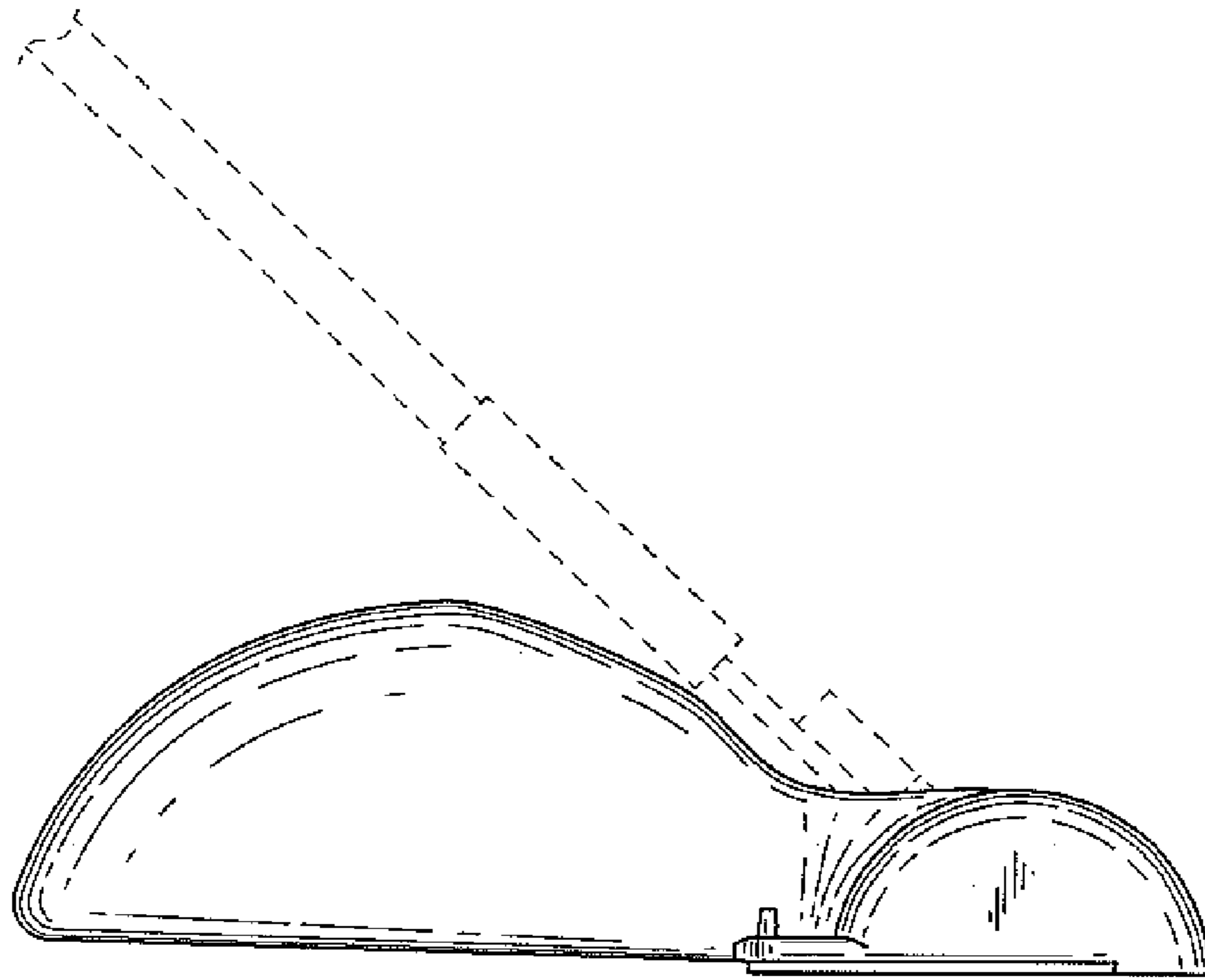
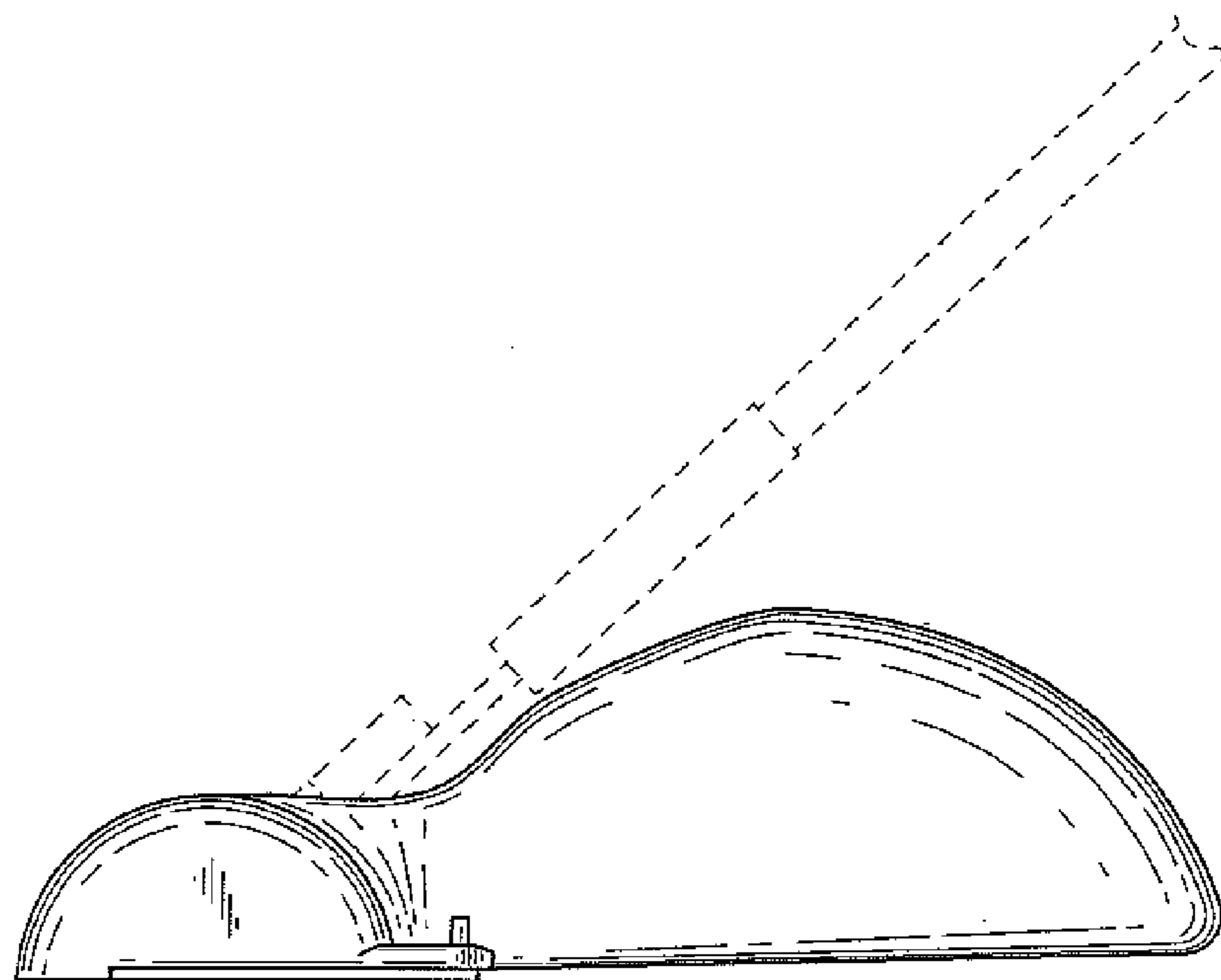


FIG. 19



**FIG. 20**



**FIG. 21**

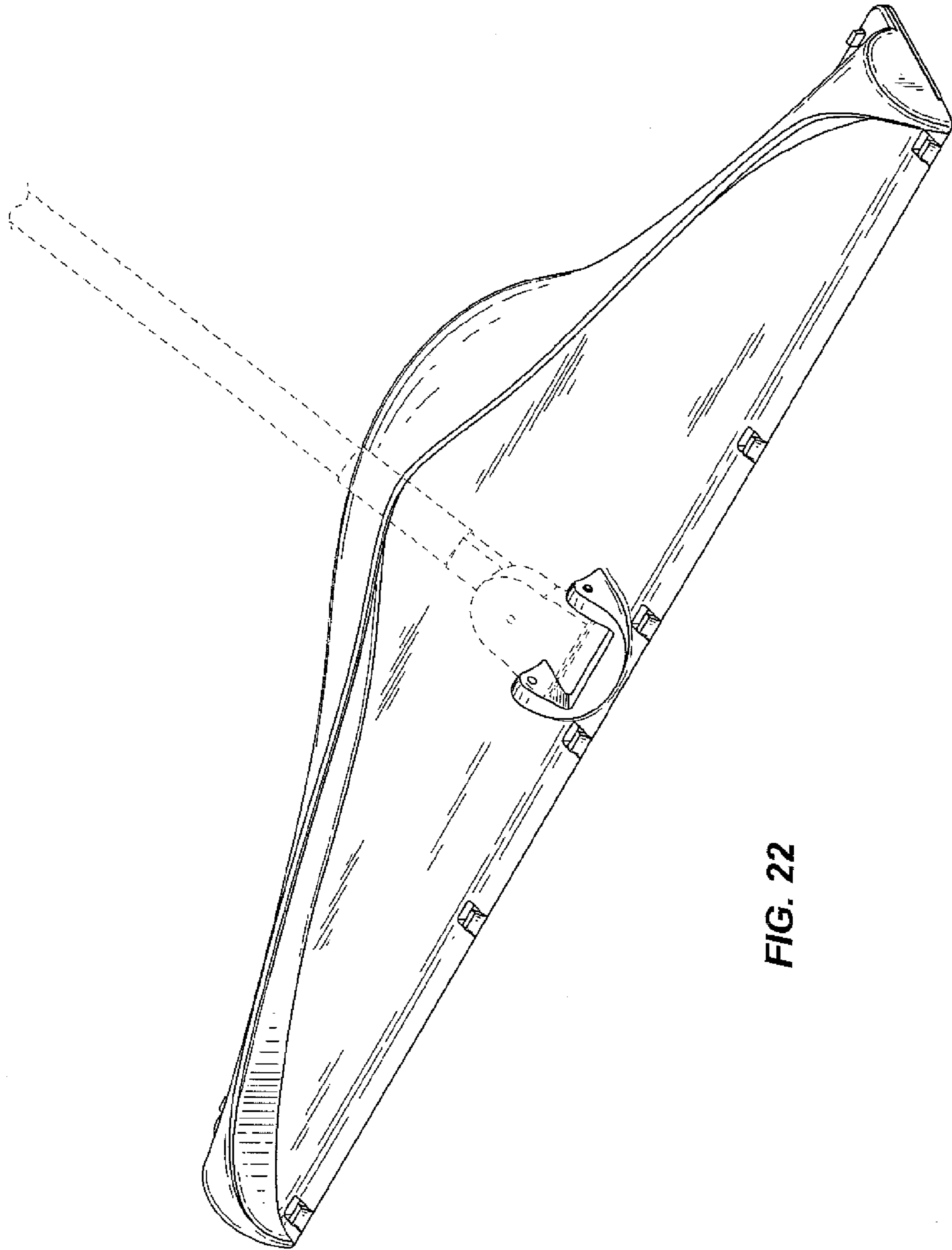


FIG. 22

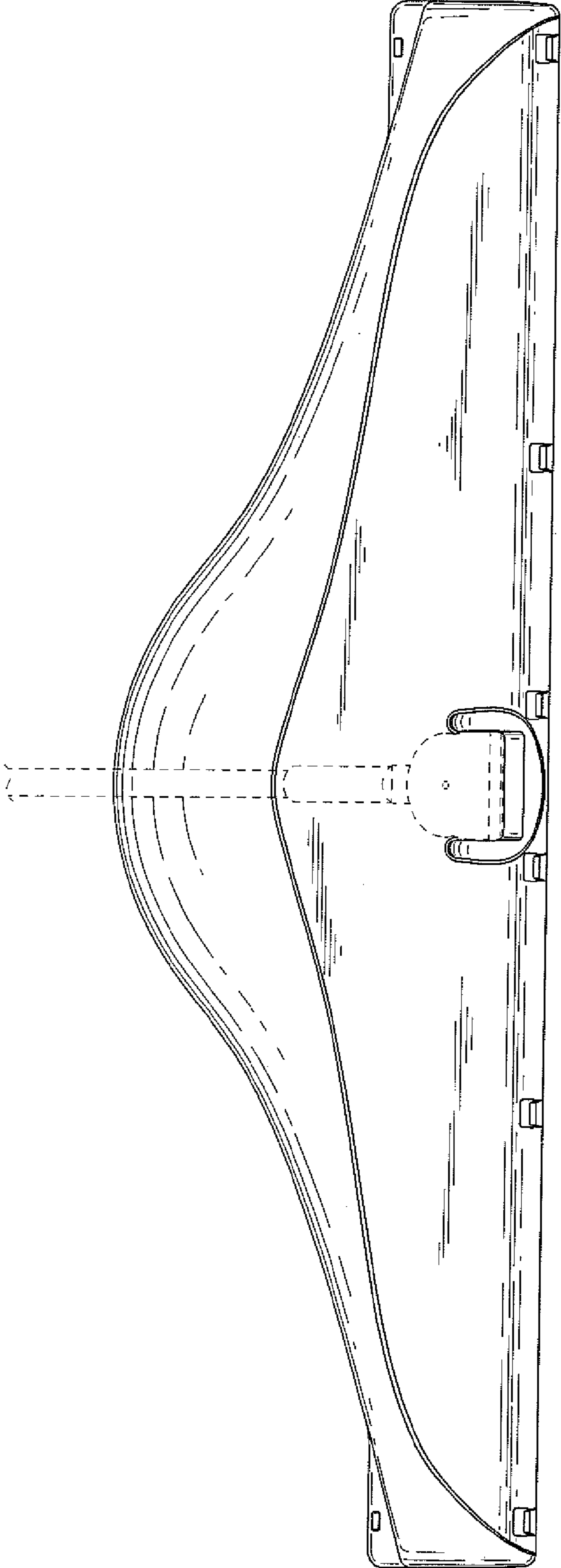


FIG. 23

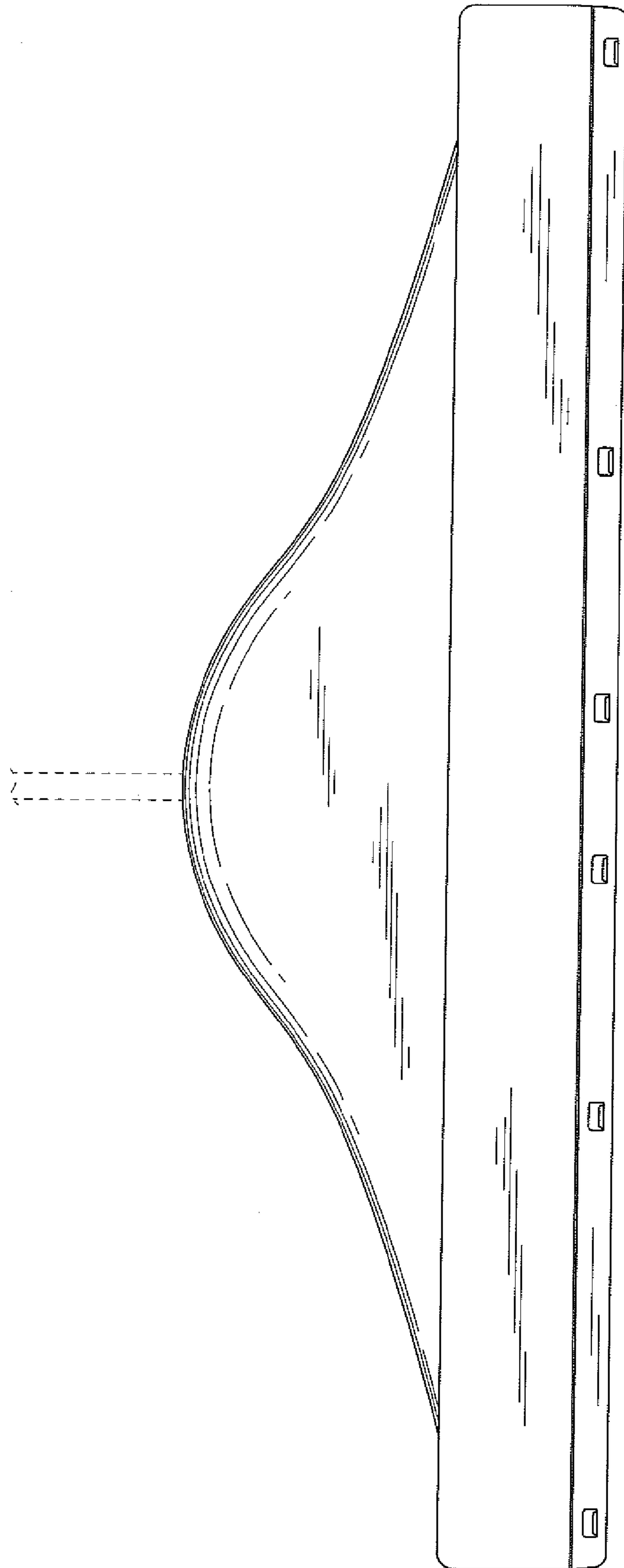


FIG. 24

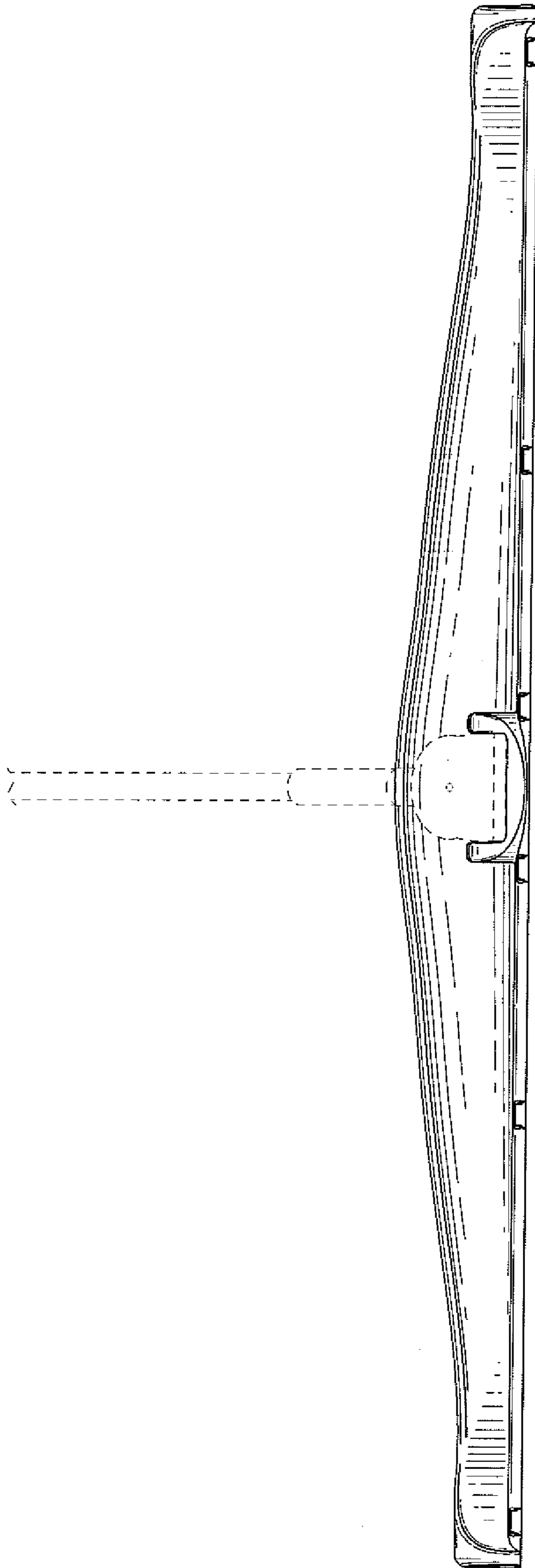


FIG. 25



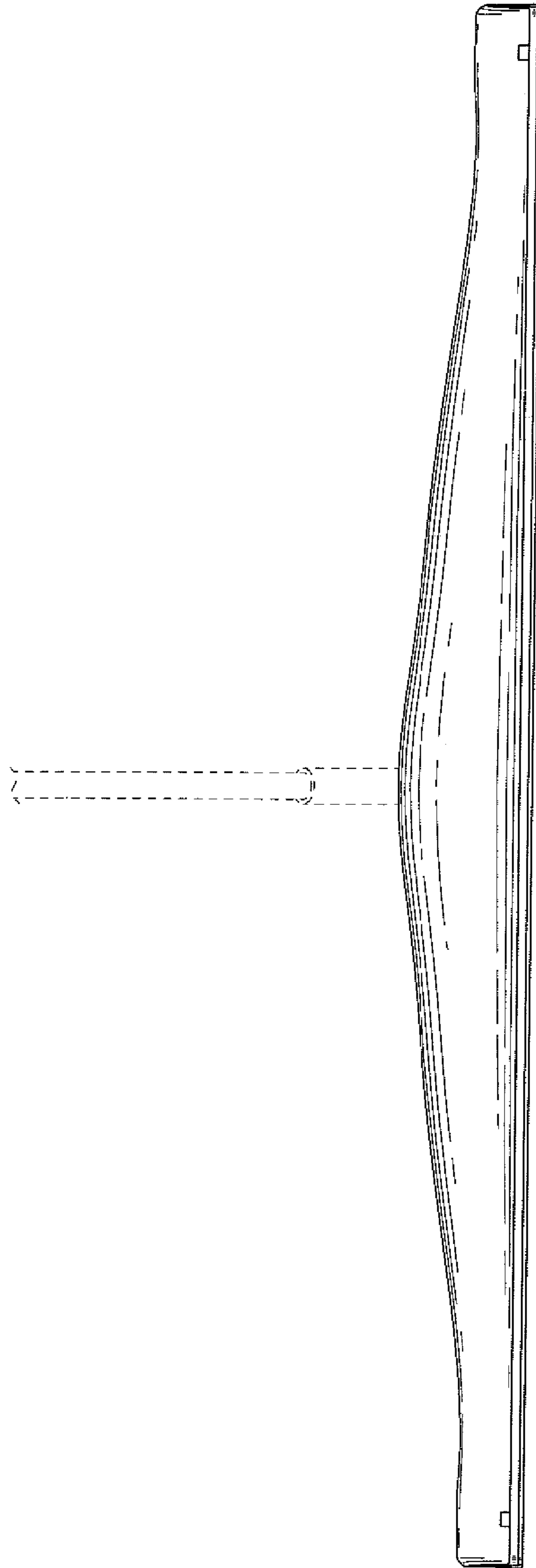
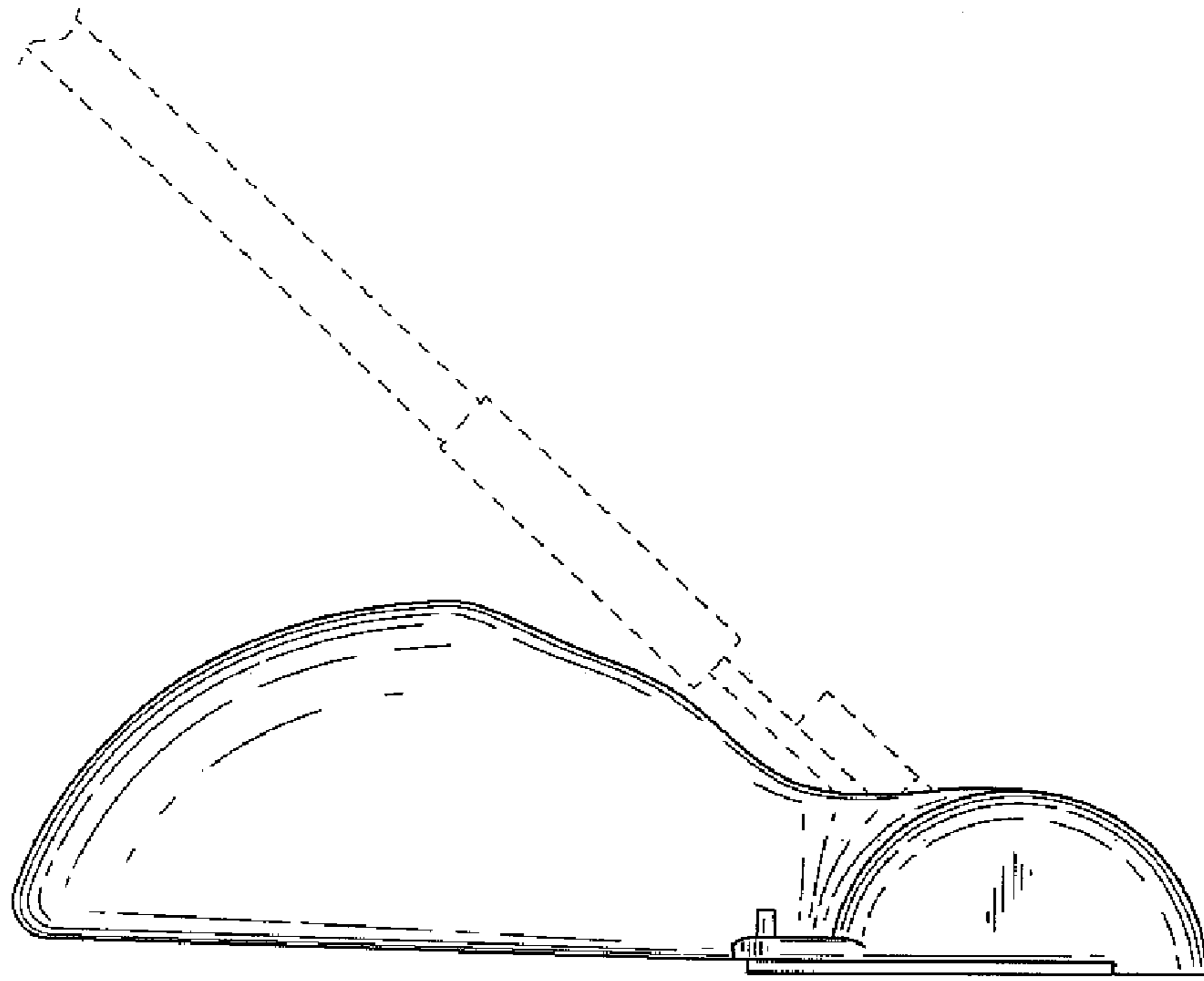
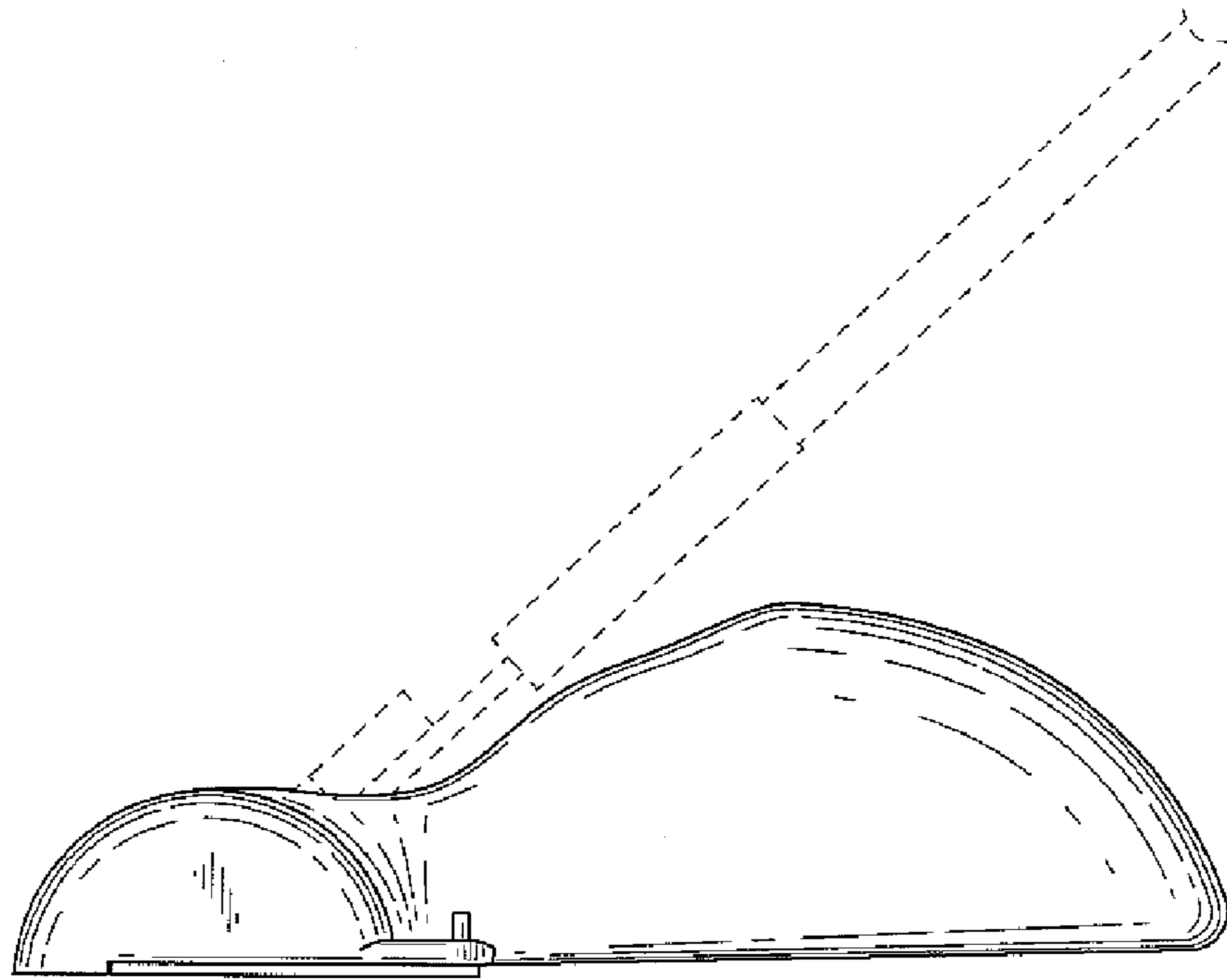


FIG. 26



**FIG. 27**



**FIG. 28**