



US00D552812S

(12) **United States Design Patent** (10) **Patent No.:** **US D552,812 S**
Dotterman et al. (45) **Date of Patent:** **** Oct. 9, 2007**

(54) **TUB AND SHOWER CLEANING TOOL**

(75) Inventors: **Perry S. Dotterman**, Maplewood, MN (US); **Michael J. Kubes**, Oakdale, MN (US); **Diane R. Wolk**, Woodbury, MN (US); **Arthur V. Lang**, Maplewood, MN (US); **Byron E. Trotter**, St. Paul, MN (US)

(73) Assignee: **3M Innovative Properties Company**, St. Paul, MN (US)

(**) Term: **14 Years**

(21) Appl. No.: **29/222,358**

(22) Filed: **Jan. 28, 2005**

(51) **LOC (8) Cl.** **04-01**

(52) **U.S. Cl.** **D32/40**

(58) **Field of Classification Search** D32/40, D32/50, 51, 52; D4/199; 15/147.1, 147.2, 15/209.1, 210.1, 220.1, 228, 229.3, 229.4, 15/229.7, 229.8, 224.1, 224.2

See application file for complete search history.

(56) **References Cited**

U.S. PATENT DOCUMENTS

1,475,521	A *	11/1923	Sturgis	15/229.8
1,508,941	A *	9/1924	Severns	15/229.6
1,998,278	A	4/1935	Halsey		
2,212,172	A *	8/1940	Veeck	15/228
D152,843	S	2/1949	Wagner		
2,901,759	A *	9/1959	Smith et al.	15/147.1
D188,237	S	6/1960	Littleton		
3,528,120	A	9/1970	Lindstrom		
3,720,976	A	3/1973	Bailey		
D349,375	S	8/1994	Berti		
5,347,679	A *	9/1994	Saunders et al.	15/416
5,470,272	A *	11/1995	Kikuchi et al.	451/344
D374,750	S	10/1996	Vanderhoef et al.		
5,862,565	A	1/1999	Lundstedt		
D413,417	S *	8/1999	Reede	D32/50
D414,005	S	9/1999	Lehnertz		

D460,232	S *	7/2002	Weihrauch	D32/50
D468,878	S	1/2003	Reede		
D480,852	S *	10/2003	Farce	D32/40
6,769,153	B1	8/2004	Post et al.		
D514,761	S *	2/2006	Seregni et al.	D32/40
2004/0031506	A1	2/2004	Tsai		
2004/0103490	A1	6/2004	Long et al.		
2004/0244132	A1	12/2004	Ouellette et al.		
2005/0060827	A1	3/2005	James et al.		
2005/0229344	A1 *	10/2005	Mittelstaedt et al.	15/104.94
2005/0283933	A1 *	12/2005	Mitchell et al.	15/144.1
2006/0169301	A1 *	8/2006	Haskett et al.	134/6

FOREIGN PATENT DOCUMENTS

WO WO 2005/023080 3/2005

* cited by examiner

Primary Examiner—Alan P. Douglas

Assistant Examiner—Barbara Fox

(74) *Attorney, Agent, or Firm*—Trisha D. Adamson

(57) **CLAIM**

The ornamental design for a tub and shower cleaning tool, as shown and described.

DESCRIPTION

FIG. 1 is a perspective view of a tub and shower cleaning tool showing the new design;

FIG. 2 is a left side view thereof, the right side view thereof being a mirror image of the left side view shown;

FIG. 3 is a top view thereof;

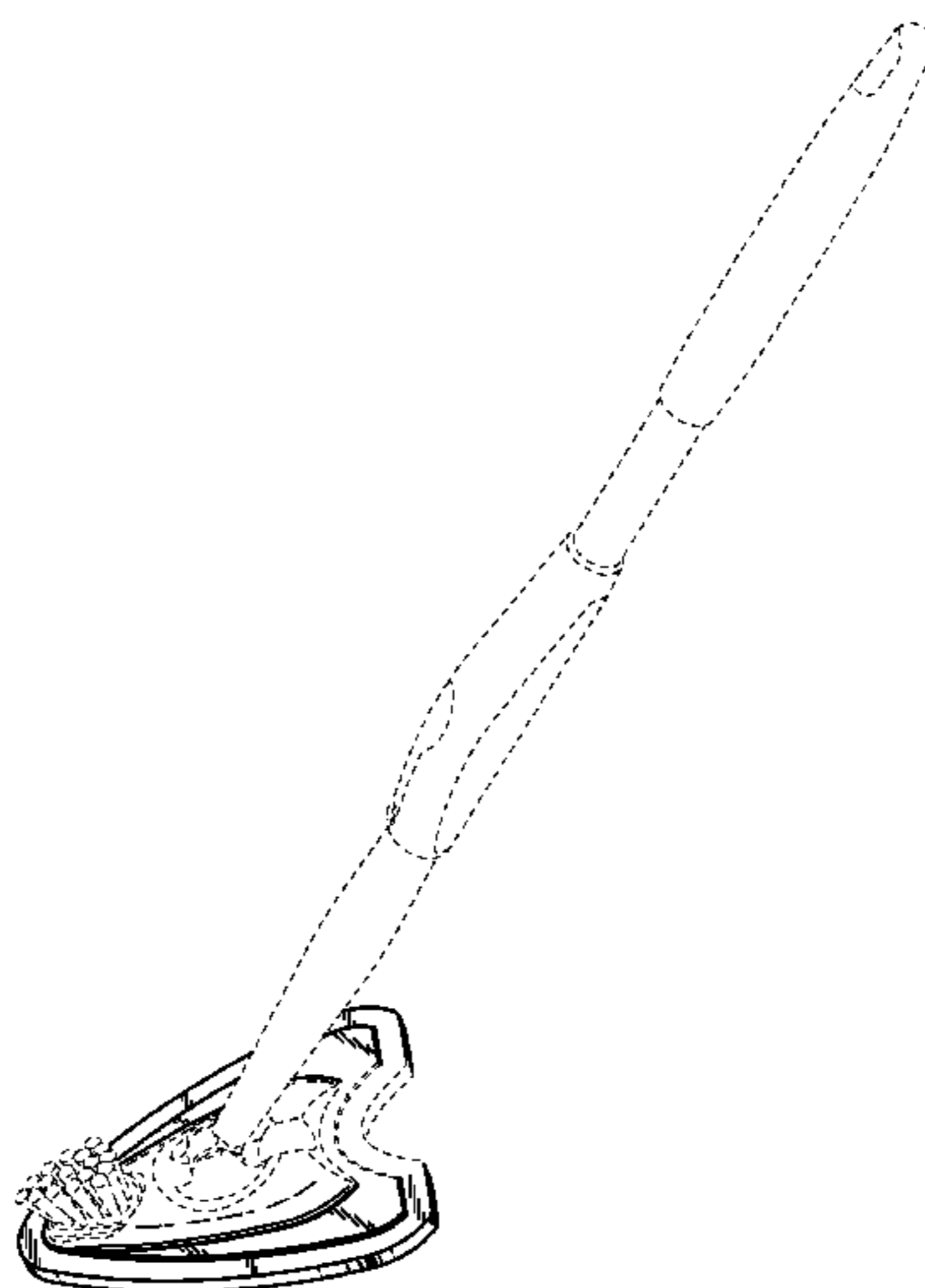
FIG. 4 is a bottom view thereof;

FIG. 5 is a front view thereof; and,

FIG. 6 is a rear view thereof.

The broken lines in the drawings are shown for illustrative purposes only and form no part of the claimed design. In addition, the surface shading illustrated in the drawings is provided merely to highlight the contour of design; it is not intended to be illustrative of texture or gloss.

1 Claim, 4 Drawing Sheets



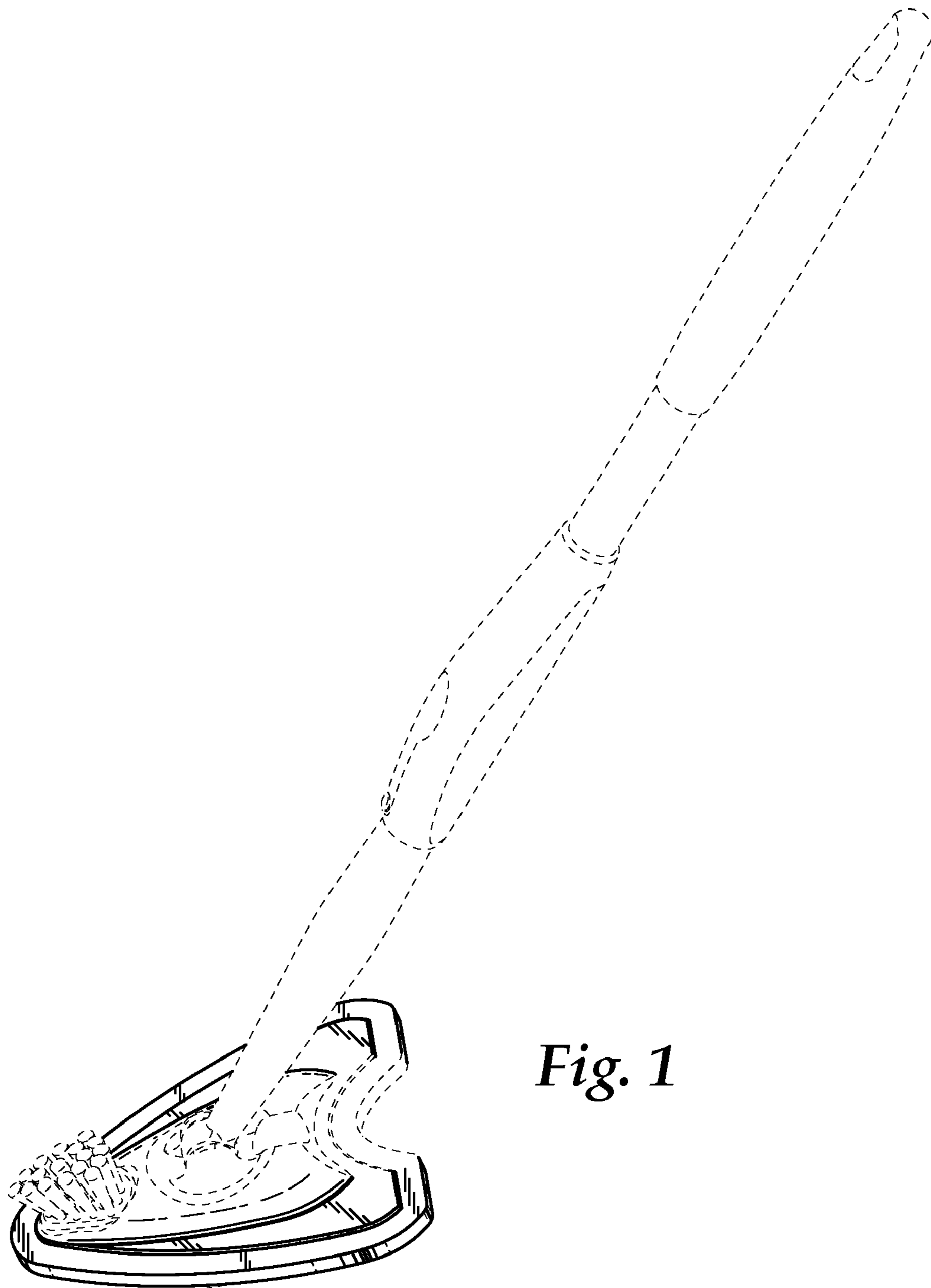


Fig. 1

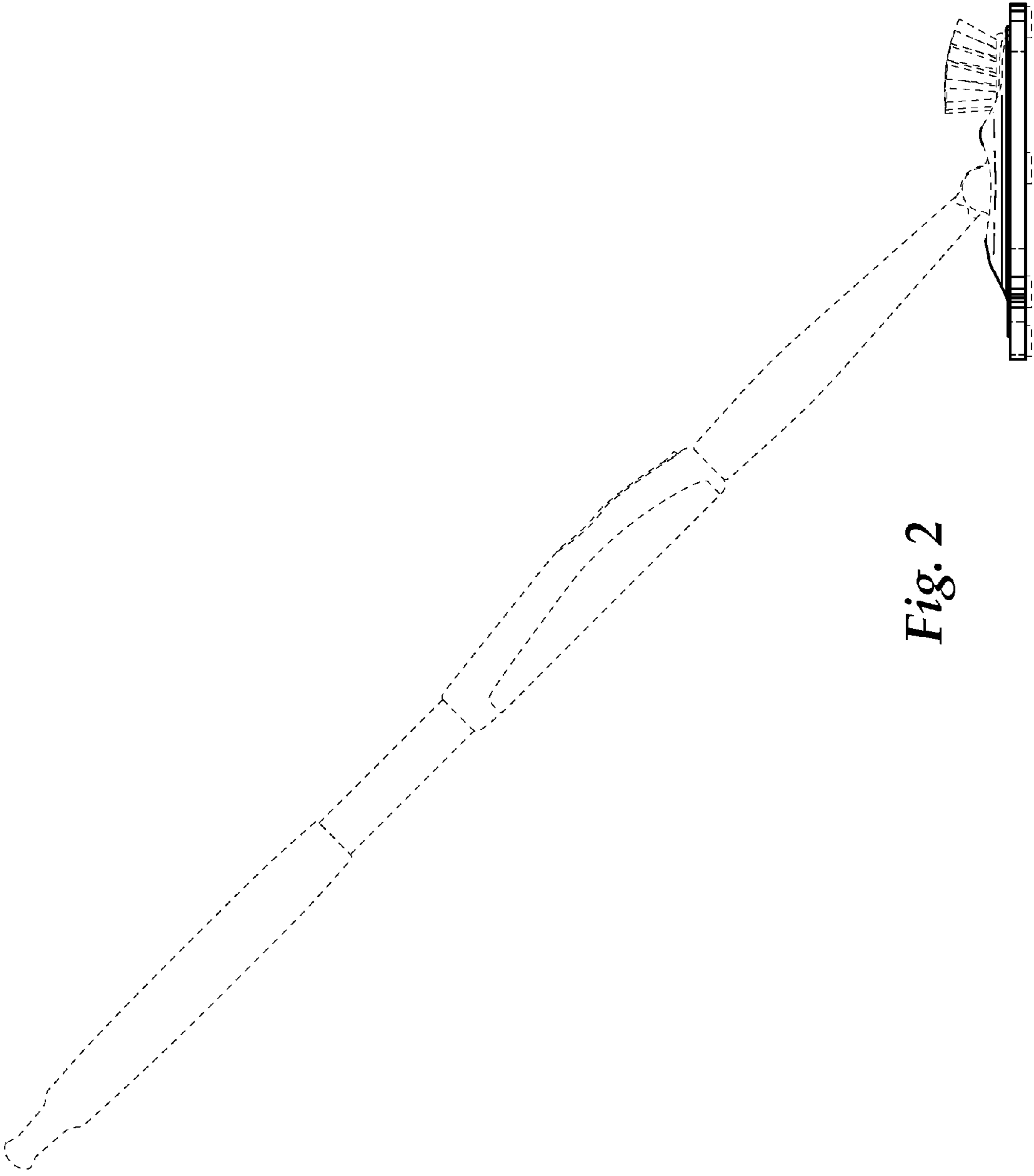


Fig. 2

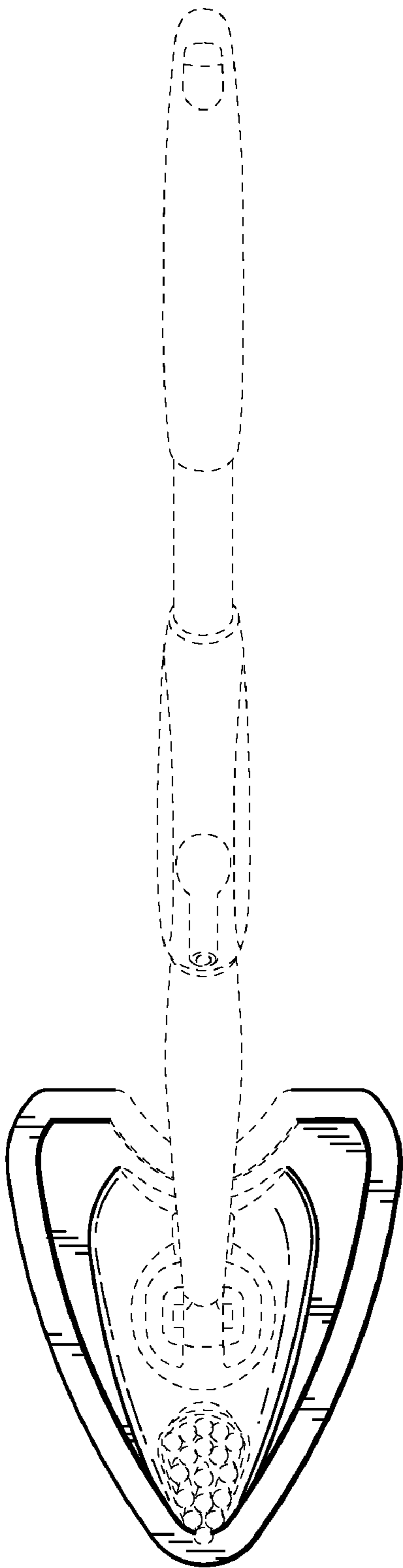


Fig. 3

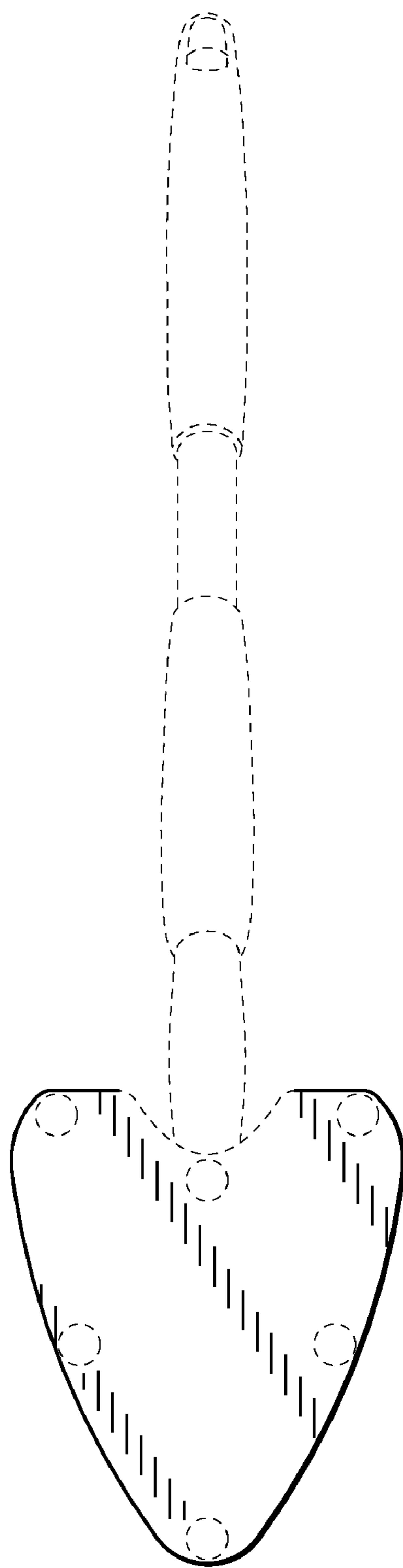


Fig. 4

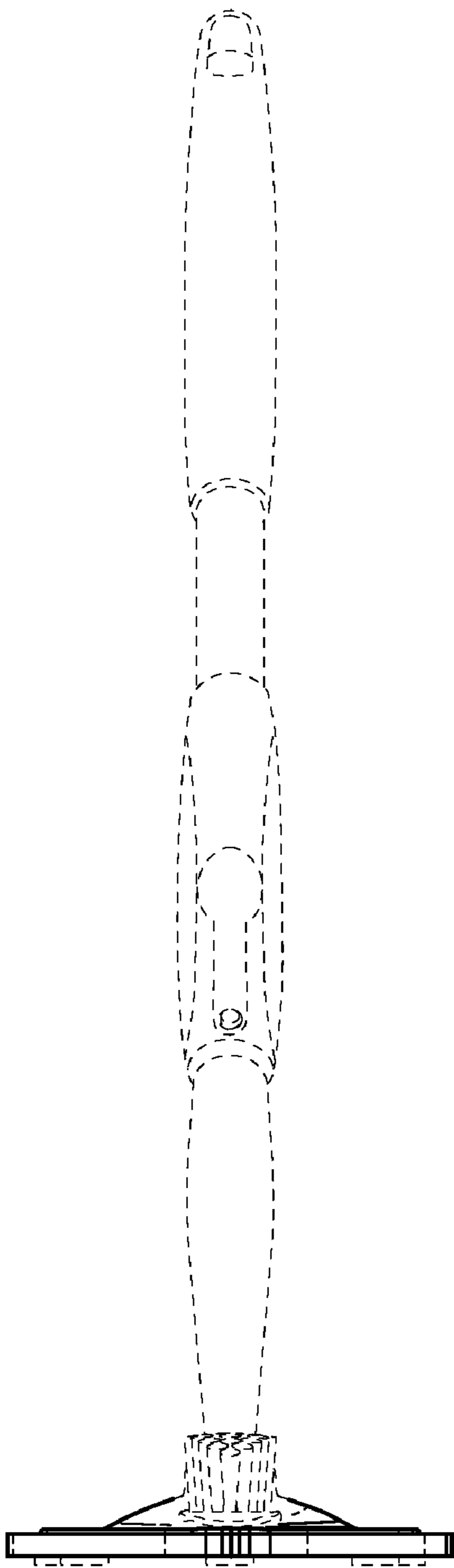


Fig. 5

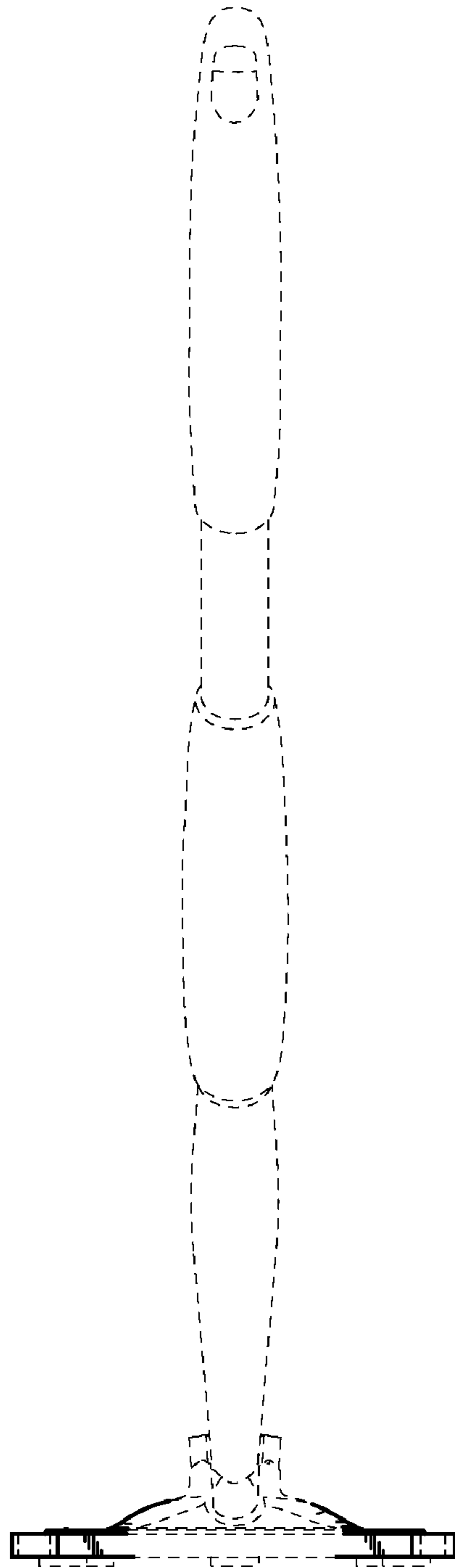


Fig. 6